



US00D891911S

(12) **United States Design Patent**  
**Lin**

(10) **Patent No.: US D891,911 S**  
(45) **Date of Patent: \*\* Aug. 4, 2020**

- (54) **SWIVEL PLANT HOOK**
- (71) Applicant: **Qiang Lin**, Fujian Province (CN)
- (72) Inventor: **Qiang Lin**, Fujian Province (CN)
- (\*\*) Term: **15 Years**
- (21) Appl. No.: **29/728,659**
- (22) Filed: **Mar. 20, 2020**
- (51) **LOC (12) Cl. .... 08-05**
- (52) **U.S. Cl.**  
USPC ..... **D8/367**
- (58) **Field of Classification Search**  
USPC ..... D8/367, 354, 349  
CPC ..... A47G 29/083; F16B 45/00  
See application file for complete search history.

D707,542	S	*	6/2014	Goodman	.....	D8/372
D749,408	S	*	2/2016	Liao	.....	D8/396
D750,472	S	*	3/2016	Kuka	.....	D8/367
D772,043	S	*	11/2016	Forrest	.....	D8/367
D787,303	S	*	5/2017	Garvin	.....	D8/367
D795,678	S	*	8/2017	Early	.....	D8/367
D804,938	S	*	12/2017	Wesley	.....	D8/367
D868,568	S	*	12/2019	Elliott	.....	D8/367
D887,255	S	*	6/2020	Ovadia	.....	D8/367
2012/0199714	A1	*	8/2012	Rinaldo	.....	F16B 45/00 248/304

\* cited by examiner

Primary Examiner — Cynthia R Underwood  
(74) *Attorney, Agent, or Firm* — ZANIP

(57) **CLAIM**

The ornamental design for a swivel plant hook, as shown and described.

**DESCRIPTION**

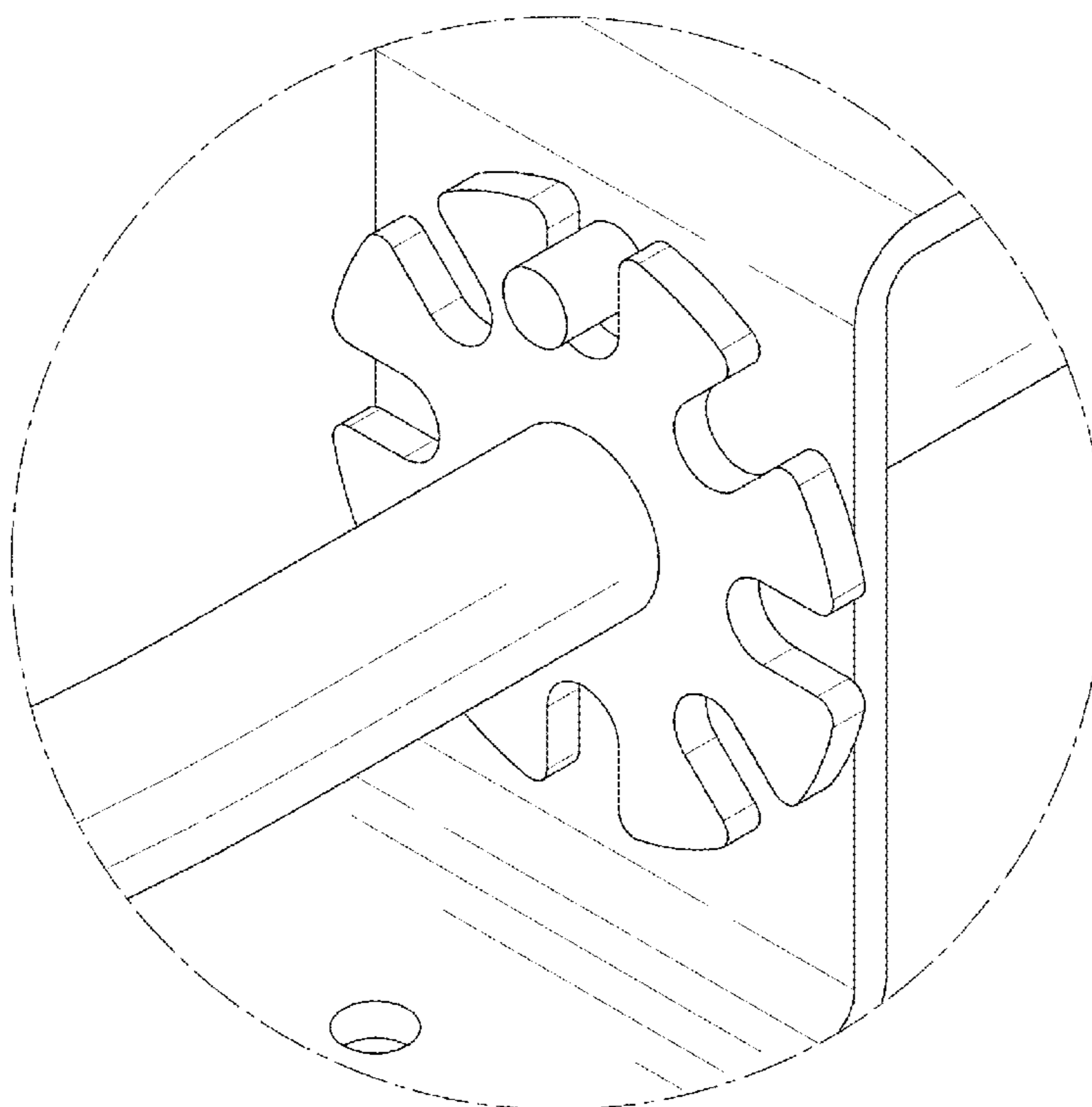
FIG. 1 is a rear and top perspective view of a swivel plant hook, showing my new design;  
 FIG. 2 is a front and bottom perspective view thereof;  
 FIG. 3 is a front elevational view thereof;  
 FIG. 4 is a rear elevational view thereof;  
 FIG. 5 is a left side elevational view thereof;  
 FIG. 6 is a right side elevational view thereof;  
 FIG. 7 is a top plan view thereof;  
 FIG. 8 is a bottom plan view thereof; and,  
 FIG. 9 is an enlarged view of a portion indicated in FIG. 2.  
 The dash dot dash lines in FIGS. 2 and 9 are for the purpose of depicting the cut line of the enlarged view and form no part of the claim.

(56) **References Cited**

**U.S. PATENT DOCUMENTS**

D441,584	S	*	5/2001	Ho	.....	D6/580
D446,044	S	*	8/2001	Thomas	.....	D6/404
D535,550	S	*	1/2007	Silberman	.....	D8/356
D540,659	S	*	4/2007	Schmidt	.....	D8/367
D587,258	S	*	2/2009	Vaglica	.....	D14/239
D597,825	S	*	8/2009	Ho	.....	D8/367
D646,960	S	*	10/2011	Goodman	.....	D8/372
D649,019	S	*	11/2011	Kim	.....	D8/367
D668,941	S	*	10/2012	Taurins	.....	D8/367
D679,920	S	*	4/2013	Terol		
8,534,626	B1	*	9/2013	Freese	.....	A47G 29/083 24/376
D695,526	S	*	12/2013	Easlick	.....	D3/328
D700,041	S	*	2/2014	Cobianco	.....	D8/367
D702,112	S	*	4/2014	Cittadino	.....	D8/367

**1 Claim, 9 Drawing Sheets**



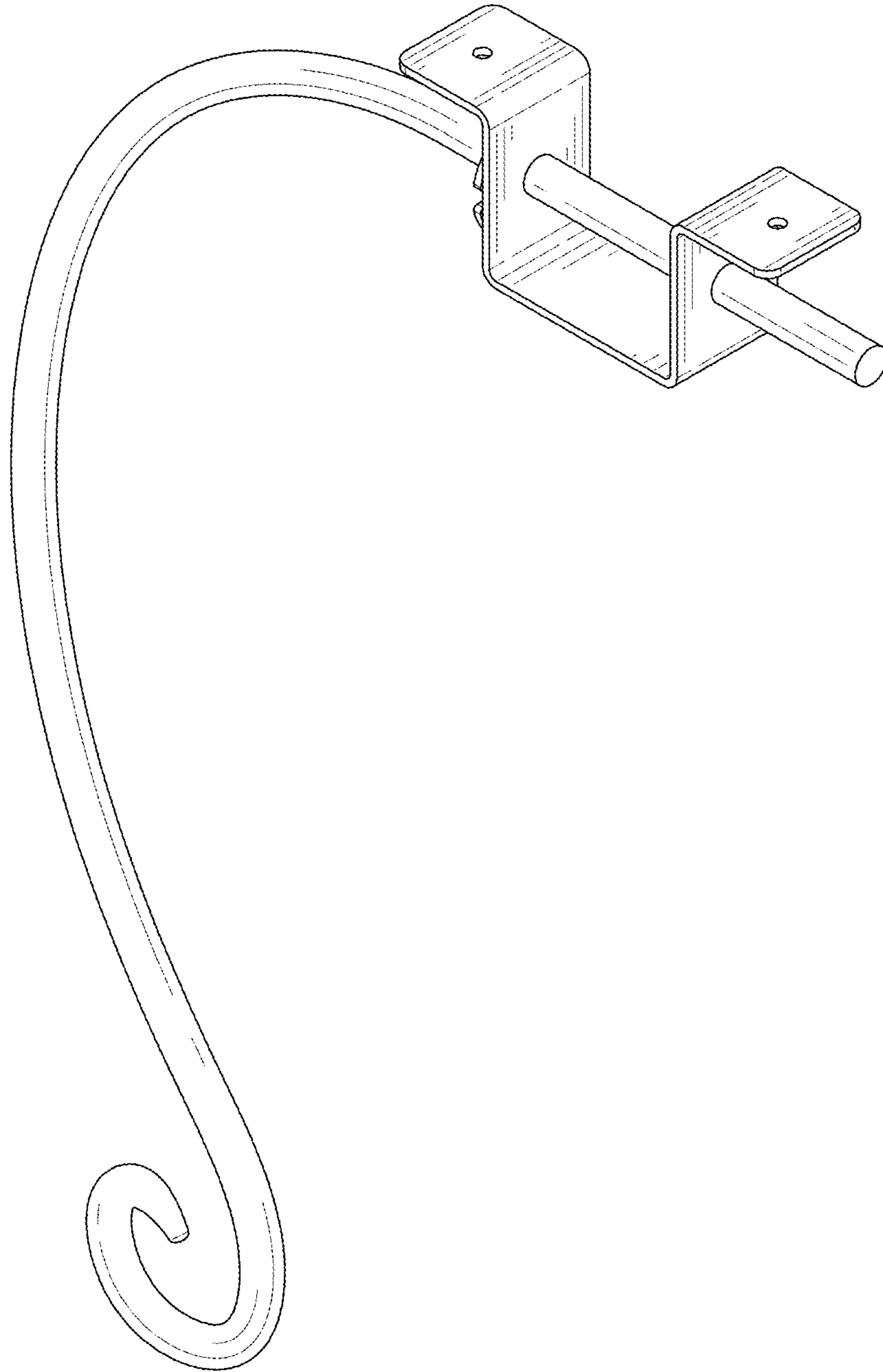


FIG. 1

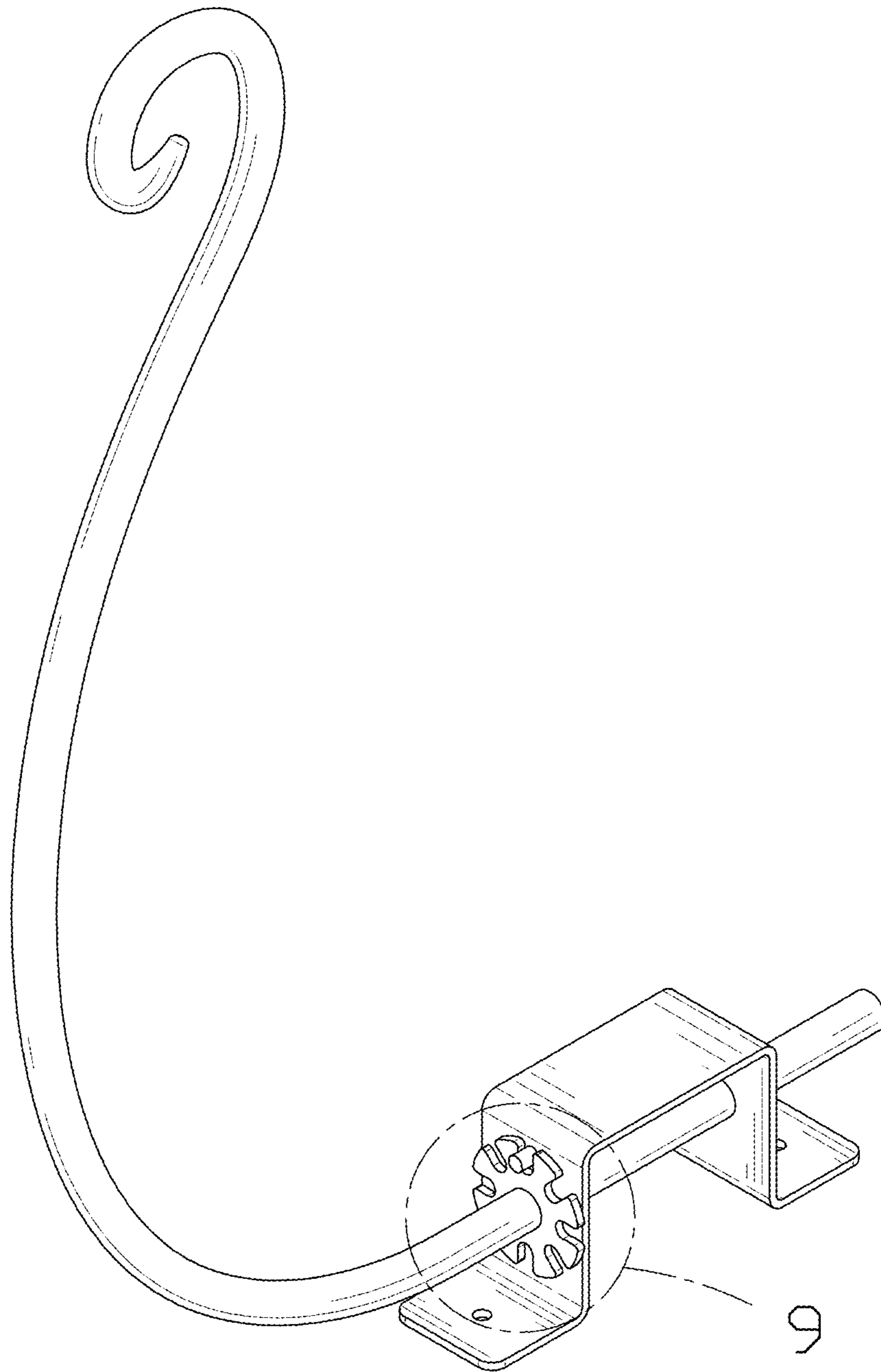


FIG. 2

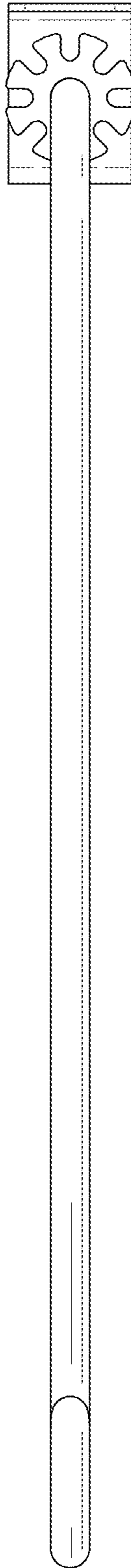


FIG. 3

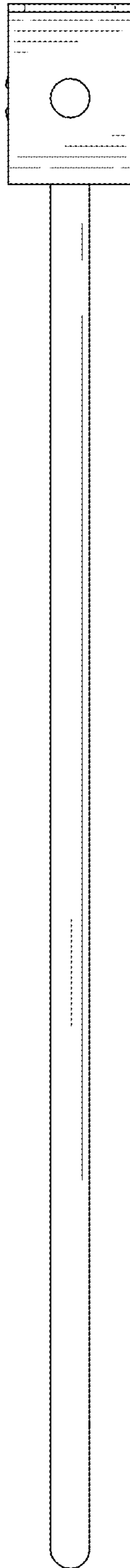


FIG. 4

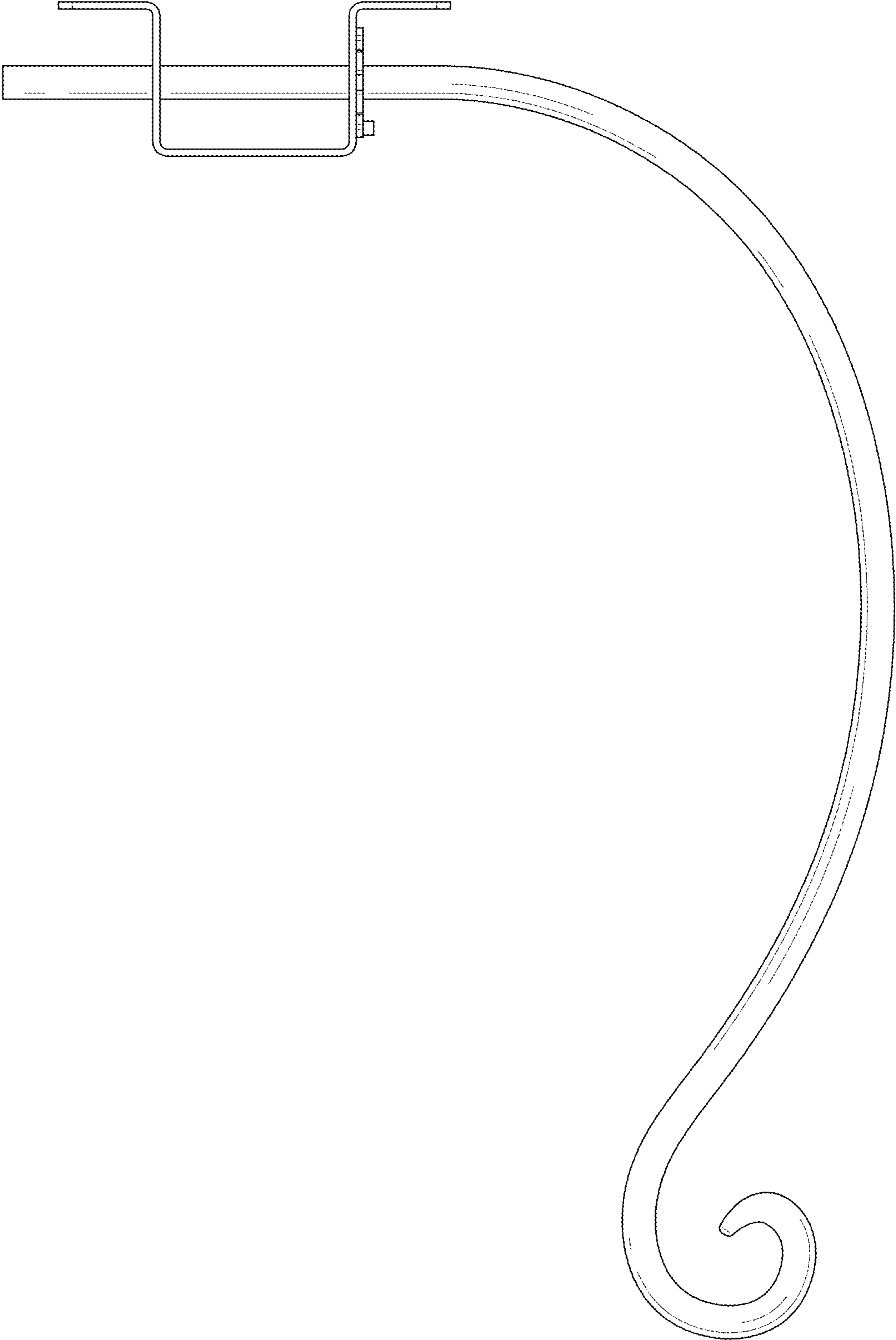


FIG. 5

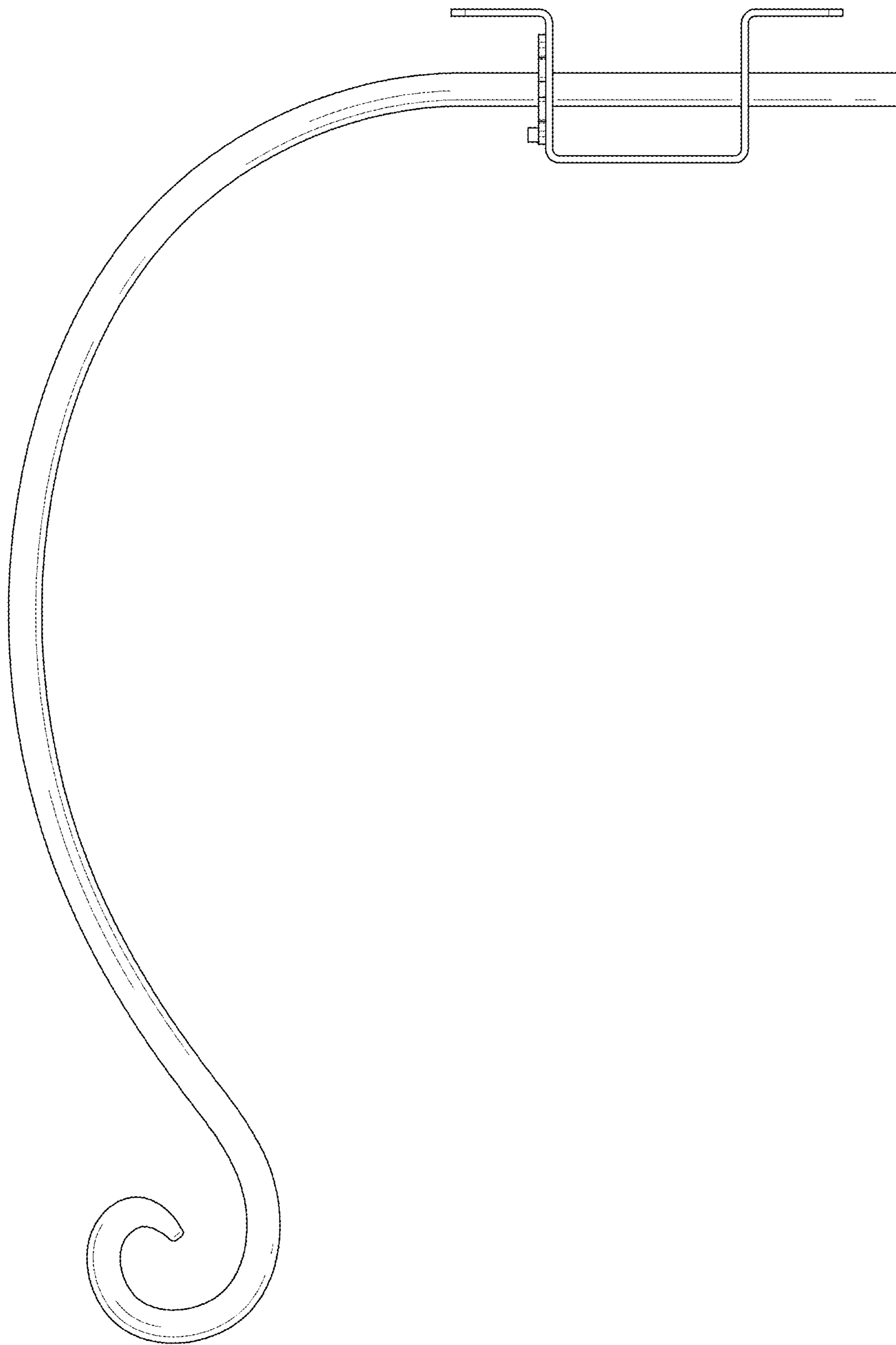


FIG. 6

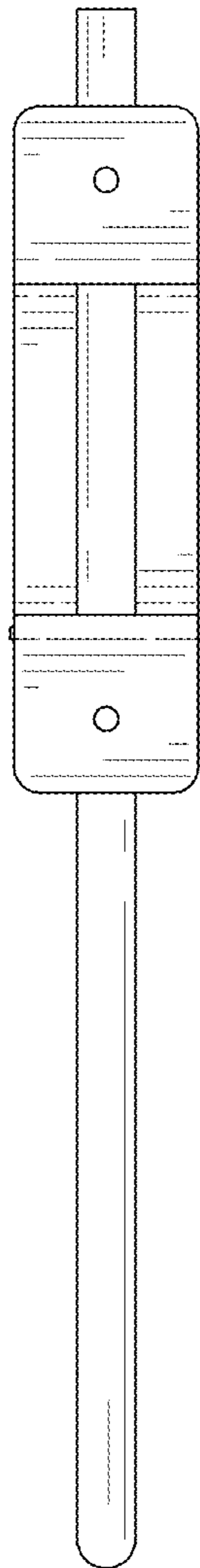


FIG. 7



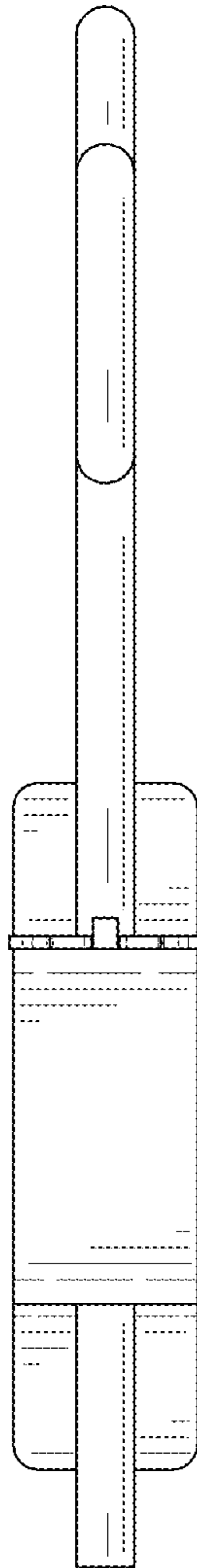


FIG. 8

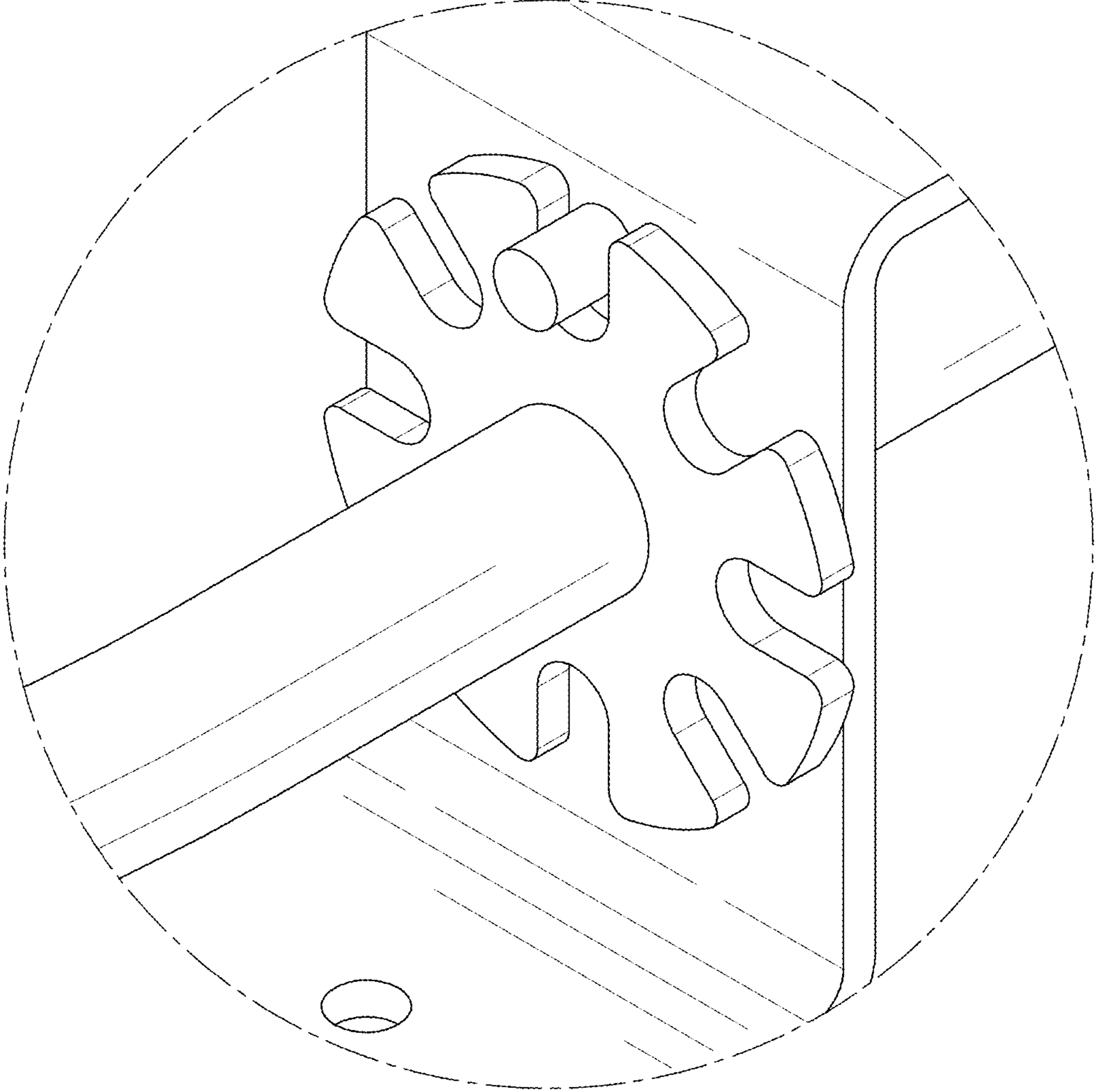


FIG. 9