



US00D891910S

(12) **United States Design Patent** (10) **Patent No.:** **US D891,910 S**
Rosa (45) **Date of Patent:** **** Aug. 4, 2020**

(54) **CURTAIN CLIP**

FOREIGN PATENT DOCUMENTS

(71) Applicant: **Kent & West, Inc.**, Brooklyn, NY (US)
(72) Inventor: **Carlos de la Rosa**, Brooklyn, NY (US)
(73) Assignee: **Kent & West, Inc.**, Brooklyn, NY (US)

CN 304205468 * 12/2016
CN 305134855 * 12/2018
CN 305483509 * 6/2019

(**) Term: **15 Years**

OTHER PUBLICATIONS

(21) Appl. No.: **29/682,025**

Kent & West ,Kent & West—Shower Curtain Hooks | Easy to Install | Chrome & Gold Finish | Metal Rollers | Glides, [online] retrieved Apr. 20, 2020, available from internet, www.amazon.com (Year: 2020).*

(22) Filed: **Mar. 1, 2019**

Maytex, Maytex V-Hinged Glide Shower Curtain Hook, Brushed Nickel,[online]retrieved Apr. 13, 2020, available from internet, www.amazon.com (Year: 2014).*

(51) **LOC (12) Cl.** **08-08**

(52) **U.S. Cl.**

USPC **D8/367; D8/368**

(58) **Field of Classification Search**

USPC D8/21–29, 29.1, 114, 499, 321, 81, 52,
D8/61, 107, 57, 346, 334, 333, 72–75,
D8/393–395, 63, 93, 14, 330, 336, 400,
D8/349, 467, 356, 692, 693, 17, 367, 368,
D8/369, 370, 371; 81/119, 177.1, 177.2,
81/57.5, 478, 177.7, 177.8, 166;
16/87.4 R, 87.2; D15/148, 140, 138, 5

CPC B25B 13/08; B25B 13/00; B25B 13/481;
B25B 13/56; B25B 23/16; B25B 13/06;
B25B 23/0035; B25B 15/001; B25B
13/065; B25B 23/0021; B25G 1/043;
B25G 1/005; B25G 1/063

See application file for complete search history.

* cited by examiner

Primary Examiner — Keli L Hill

Assistant Examiner — Sara S Sahneh

(57) **CLAIM**

The ornamental design for a curtain clip, as shown and described.

DESCRIPTION

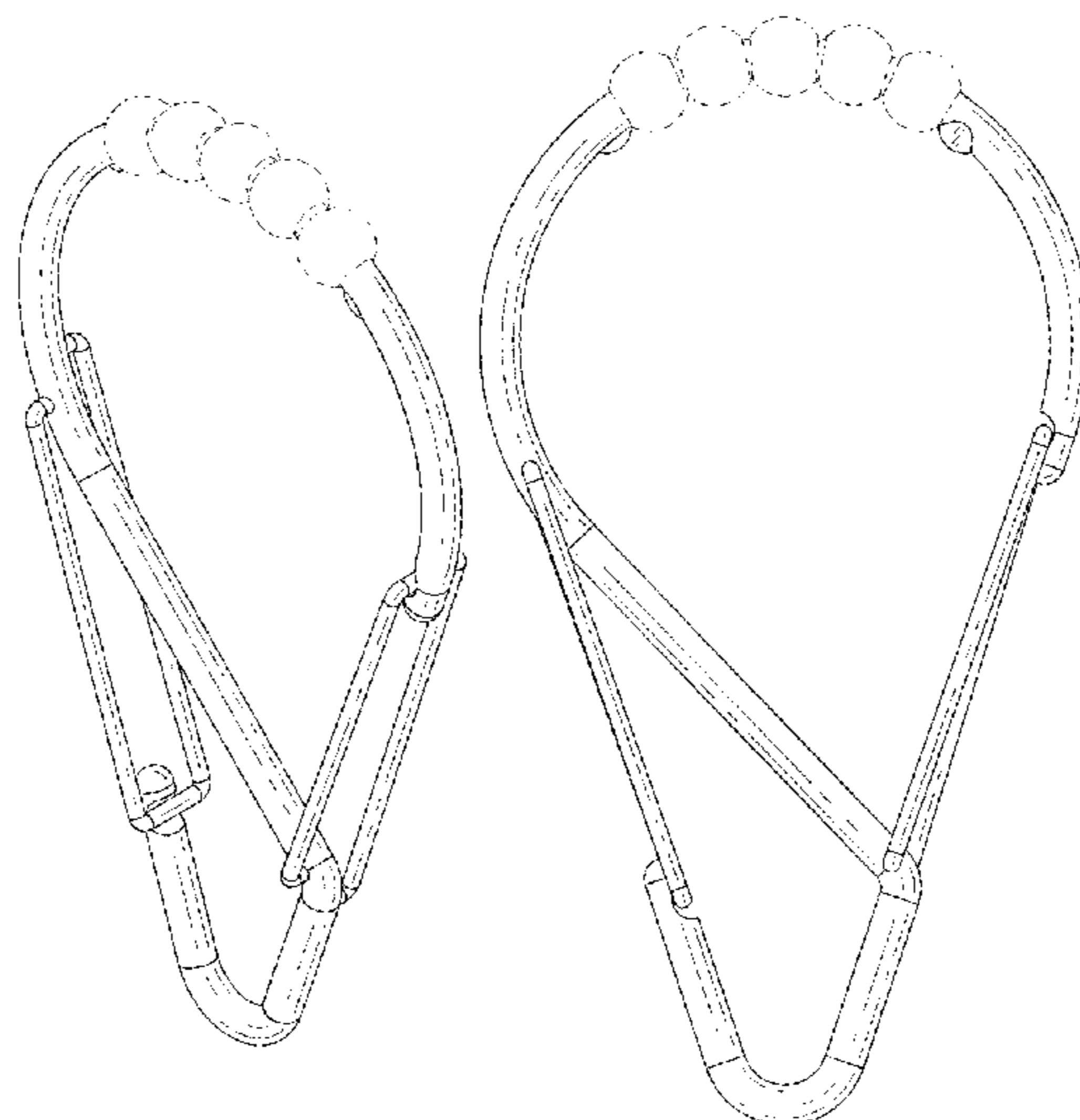
FIG. 1 is a front perspective view of the curtain clip showing my new design, according to a first embodiment;
FIG. 2 is a rear perspective view thereof;
FIG. 3 is a left side view thereof;
FIG. 4 is a right side view thereof;
FIG. 5 is a front view thereof;
FIG. 6 is a rear view thereof;
FIG. 7 is a top view thereof;
FIG. 8 is a bottom view thereof; and,
FIG. 9 is a front perspective view of the curtain clip, according to a second embodiment.
In the drawings, the broken lines are for the purpose of illustrating environment only and form no part of the claimed design.

(56) **References Cited**

U.S. PATENT DOCUMENTS

2,094,649 A * 10/1937 Gaines A47K 3/38
160/388
D442,074 S * 5/2001 Harvey D8/368
D644,091 S * 8/2011 Drazin D8/367
D645,336 S * 9/2011 Drazin D8/367
D668,939 S * 10/2012 Neri D8/367
2003/0028998 A1 * 2/2003 Samelson A47H 15/02
16/87 R
2011/0072578 A1 * 3/2011 Chiao A47H 13/04
4/610
2018/0296018 A1 * 10/2018 Baines A47K 3/38

1 Claim, 3 Drawing Sheets



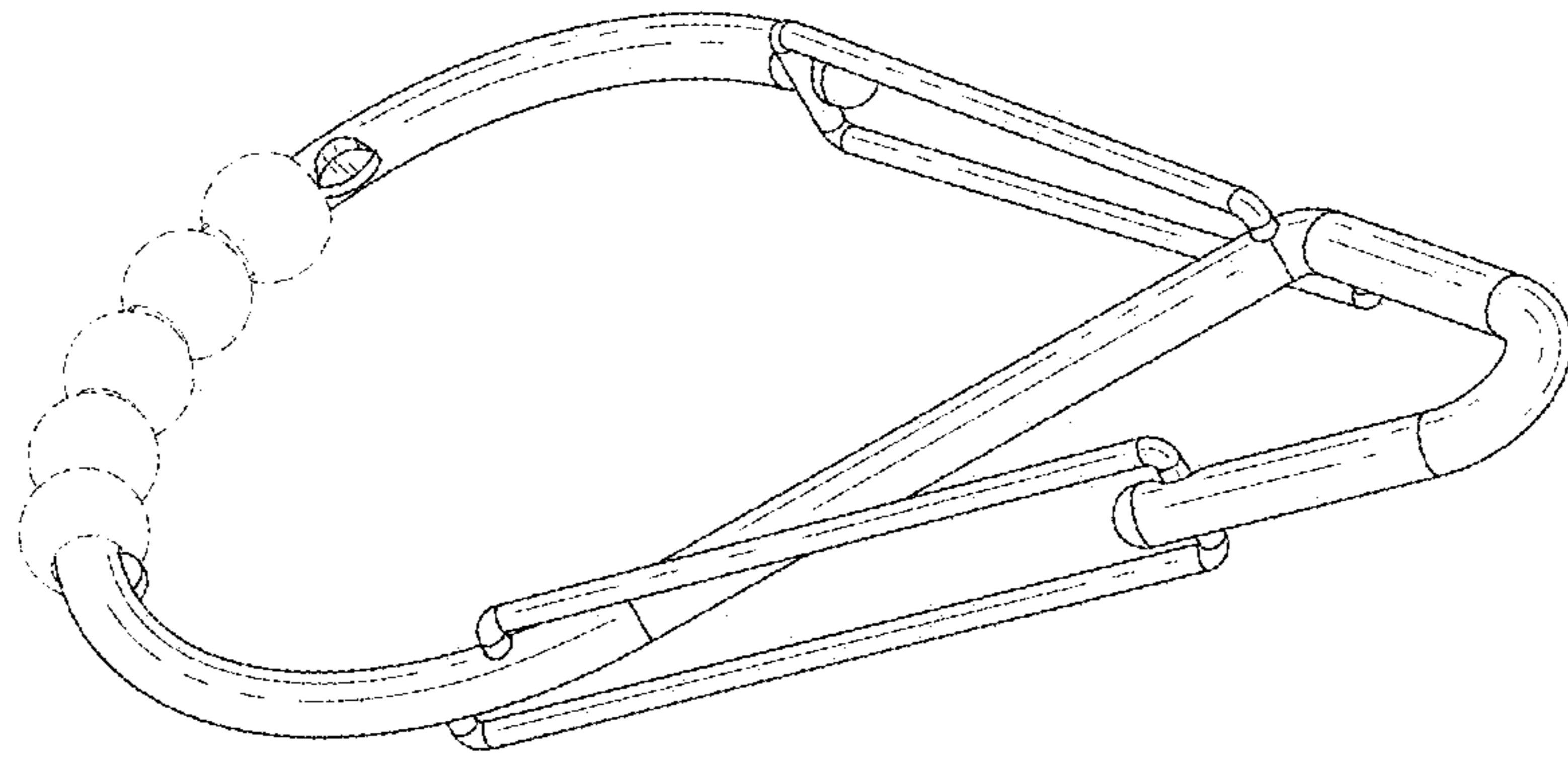


FIG. 2

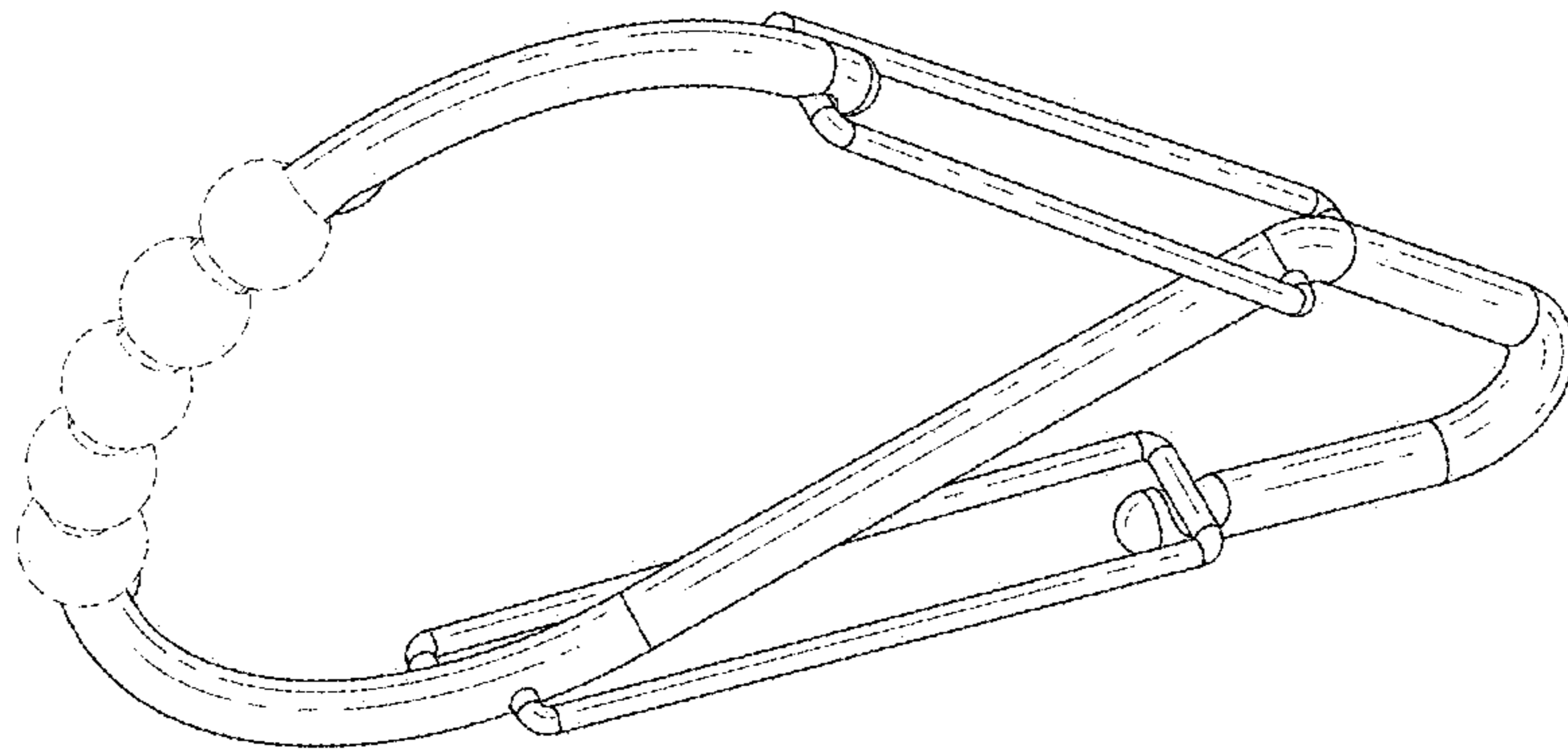


FIG. 1

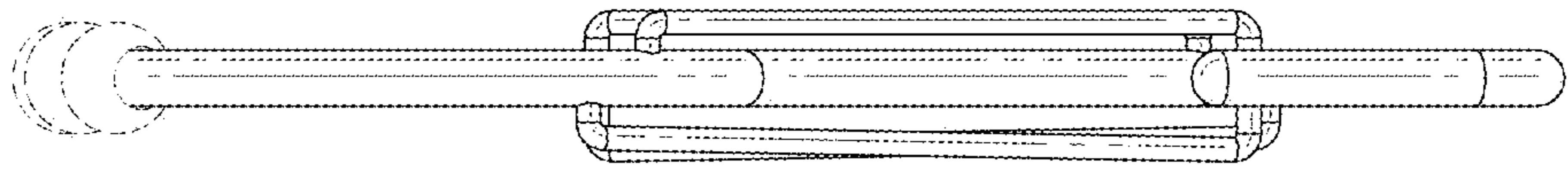


FIG. 6

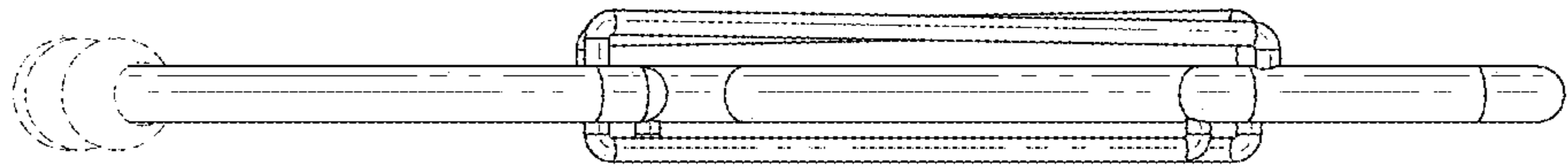


FIG. 5

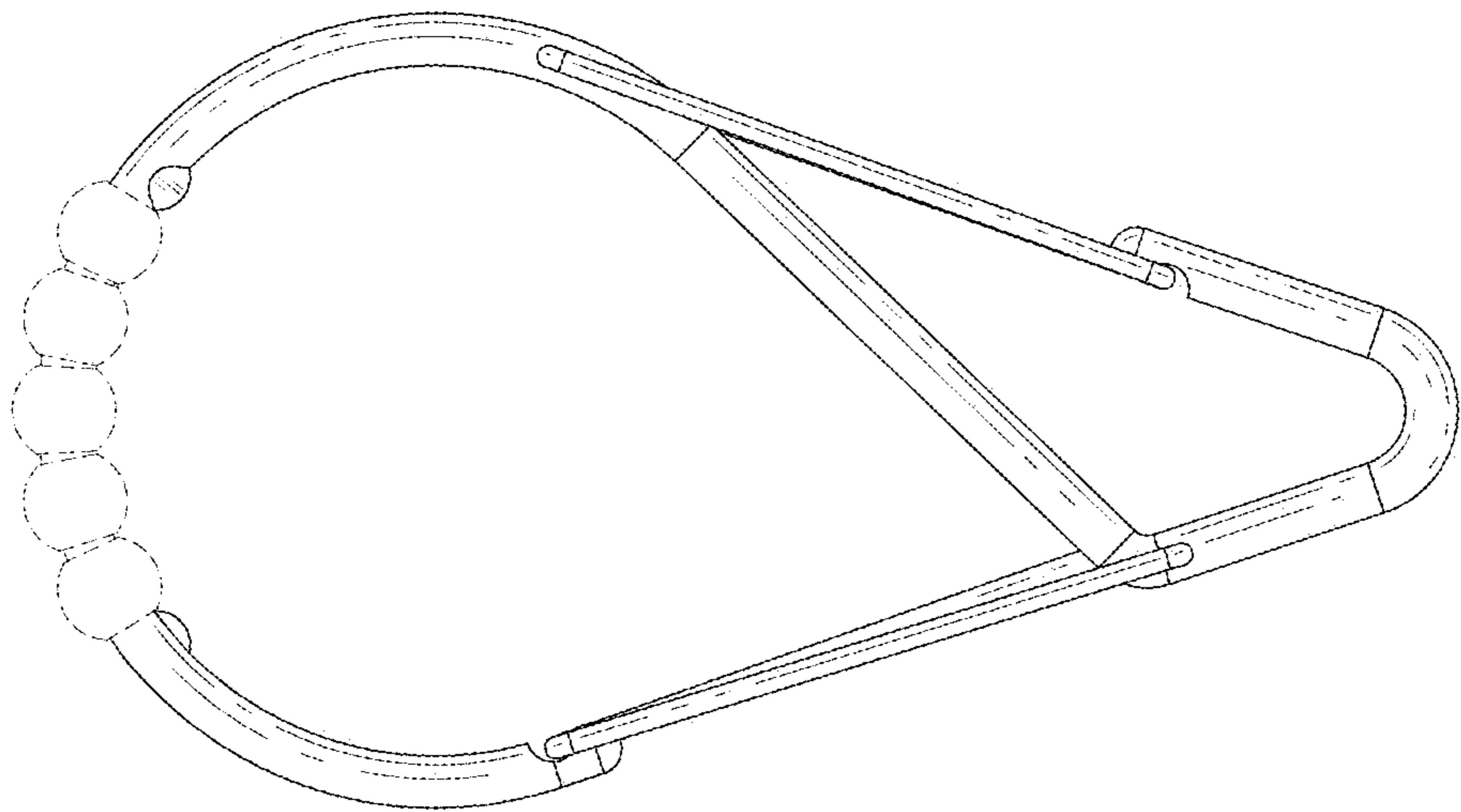


FIG. 4

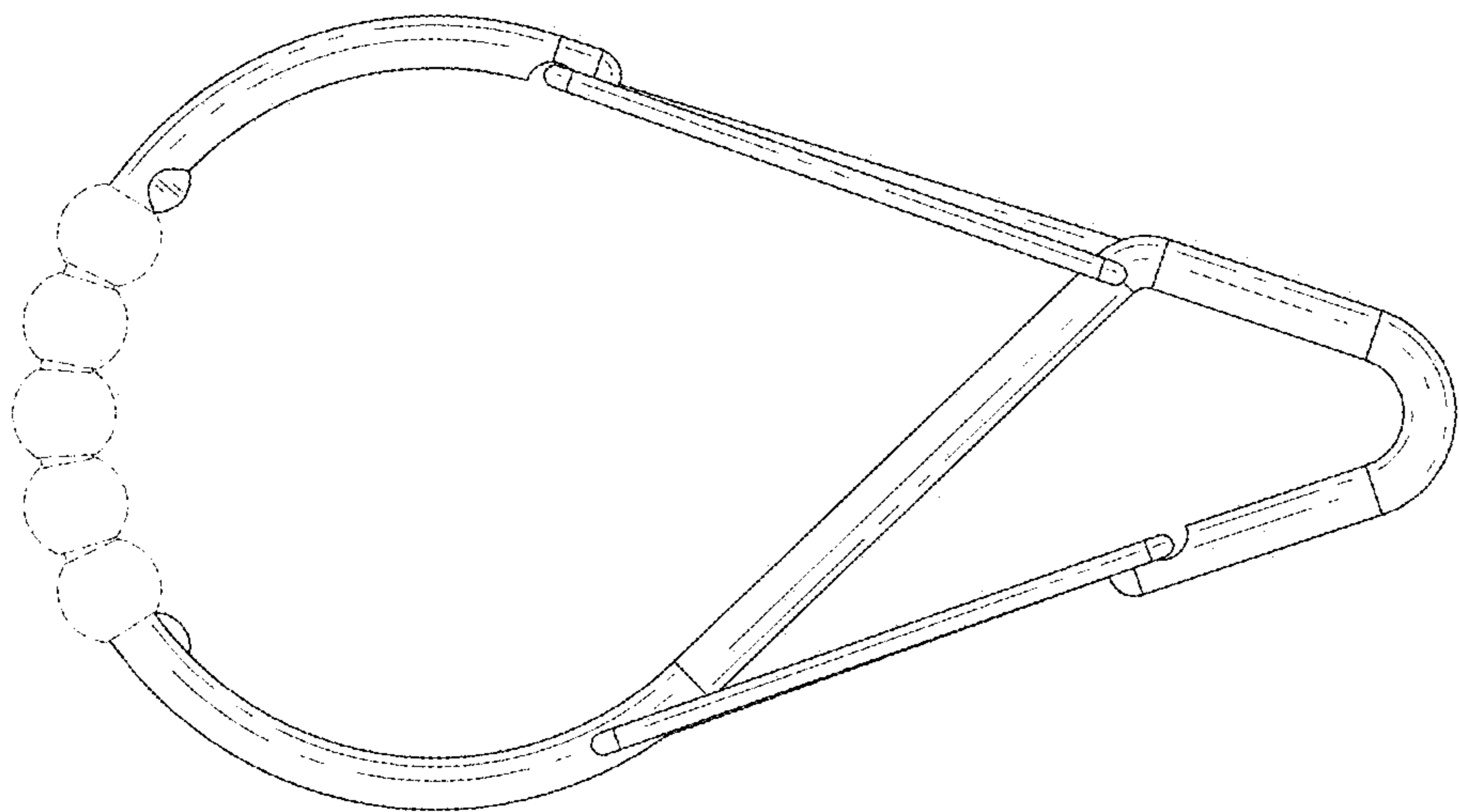


FIG. 3

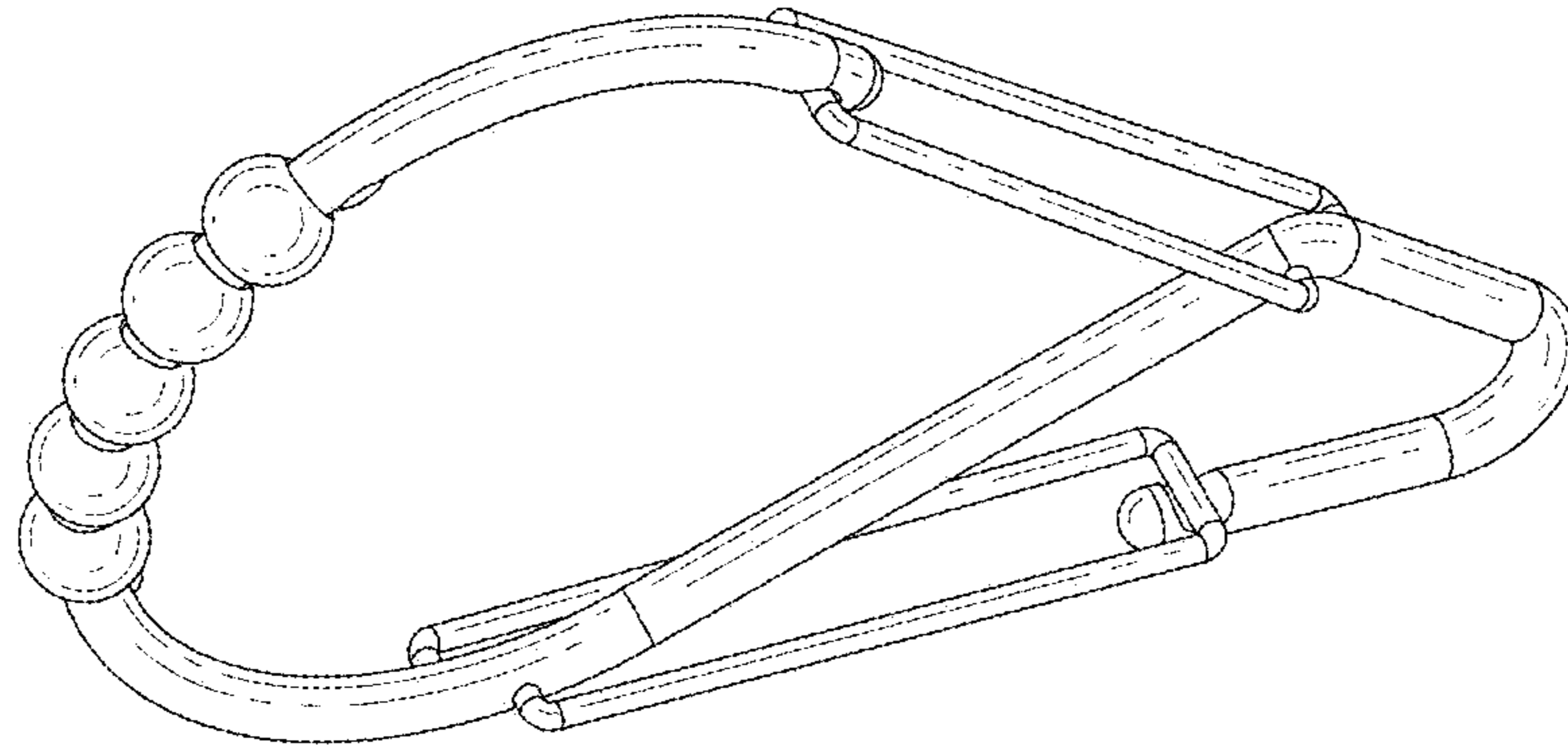


FIG. 9

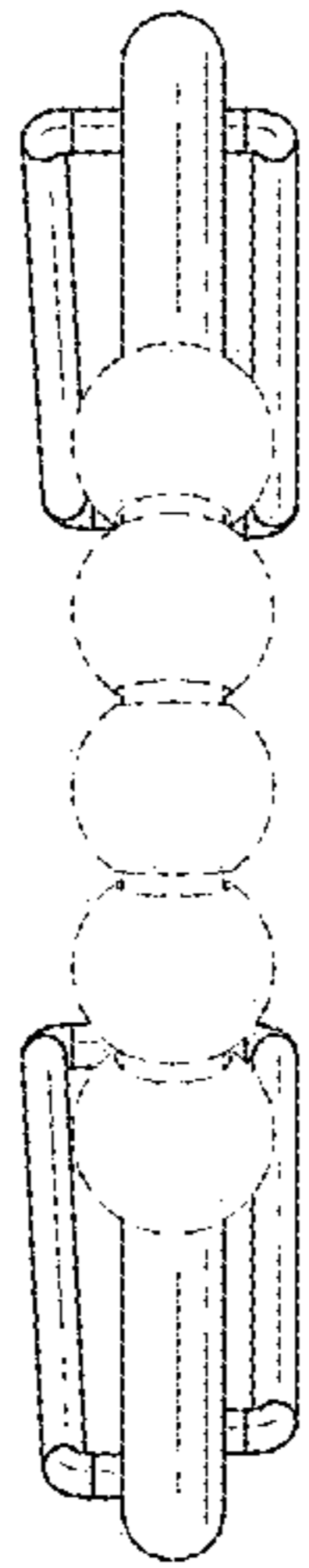


FIG. 7

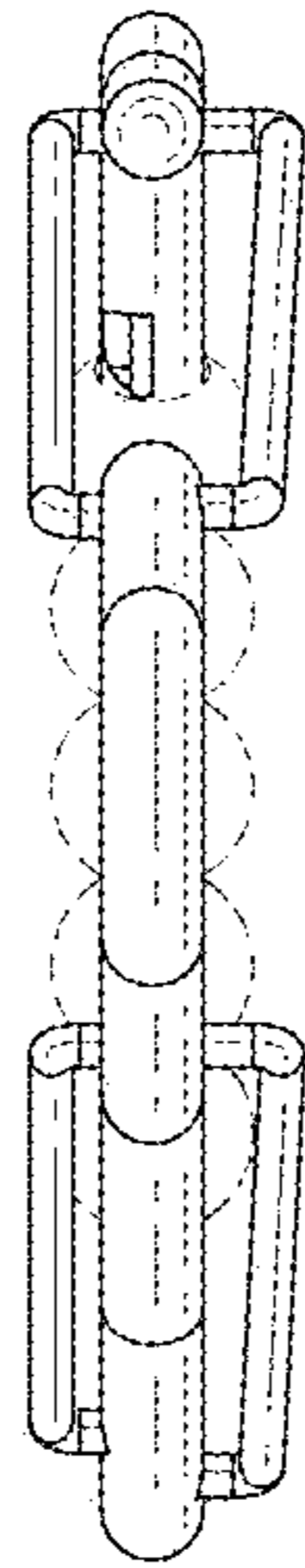


FIG. 8