



US00D891909S

(12) **United States Design Patent**
Xiang et al.

(10) **Patent No.:** **US D891,909 S**

(45) **Date of Patent:** **** Aug. 4, 2020**

(54) **LIFTING ARM**

(71) Applicant: **Loctek Ergonomic Technology Corp.,**
Ningbo (CN)

(72) Inventors: **Lehong Xiang, Ningbo (CN); Qiang**
Chen, Ningbo (CN)

(**) Term: **15 Years**

(21) Appl. No.: **29/591,553**

(22) Filed: **Jan. 20, 2017**

(30) **Foreign Application Priority Data**

Aug. 15, 2016 (CN) 2016 3 0389409

(51) **LOC (12) Cl.** **08-05**

(52) **U.S. Cl.**
USPC **D8/363**

(58) **Field of Classification Search**
USPC D8/363, 373, 374, 380, 381; D14/452,
D14/375, 376, 447, 451, 468, 224
CPC .. E04G 3/00; F16M 11/20; B25J 19/00; B25J
9/10; B60T 13/741; G03B 17/56
See application file for complete search history.

(56) **References Cited**

U.S. PATENT DOCUMENTS

2,243,212	A *	5/1941	Kindelmann	G03B 17/56 248/653
5,263,675	A *	11/1993	Roberts	A01M 31/00 182/142
D346,474	S *	4/1994	Lindgren	D34/33
D542,297	S *	5/2007	Hung	D14/452
D558,561	S *	1/2008	Ciungan	D14/452
D558,564	S *	1/2008	Ciungan	D14/452
D561,562	S *	2/2008	Wohlford	D14/451
D566,530	S *	4/2008	Brassard	D8/363
D611,479	S *	3/2010	Hau	D14/452
D611,802	S *	3/2010	Li	D8/363

D668,256	S *	10/2012	Matteo	D14/447
D675,905	S *	2/2013	Bowman	D8/363
D700,593	S *	3/2014	Xiang	D14/239
D703,641	S *	4/2014	Xiang	D14/239
D708,933	S *	7/2014	Kats	D8/380
D745,873	S *	12/2015	Xiang	D14/452
9,256,249	B2 *	2/2016	Truong	G06F 1/1601
9,261,901	B2 *	2/2016	Truong	G06F 1/1601
D786,884	S *	5/2017	Borloz	D14/452
D791,583	S *	7/2017	Griffin	D8/373
D792,417	S *	7/2017	Xiang	D14/447
D805,085	S *	12/2017	Xiang	D14/452
D848,444	S *	5/2019	Jung	D14/452

* cited by examiner

Primary Examiner — Rosemary K Tarcza
Assistant Examiner — Christy M Nemeth
(74) *Attorney, Agent, or Firm* — W&K IP

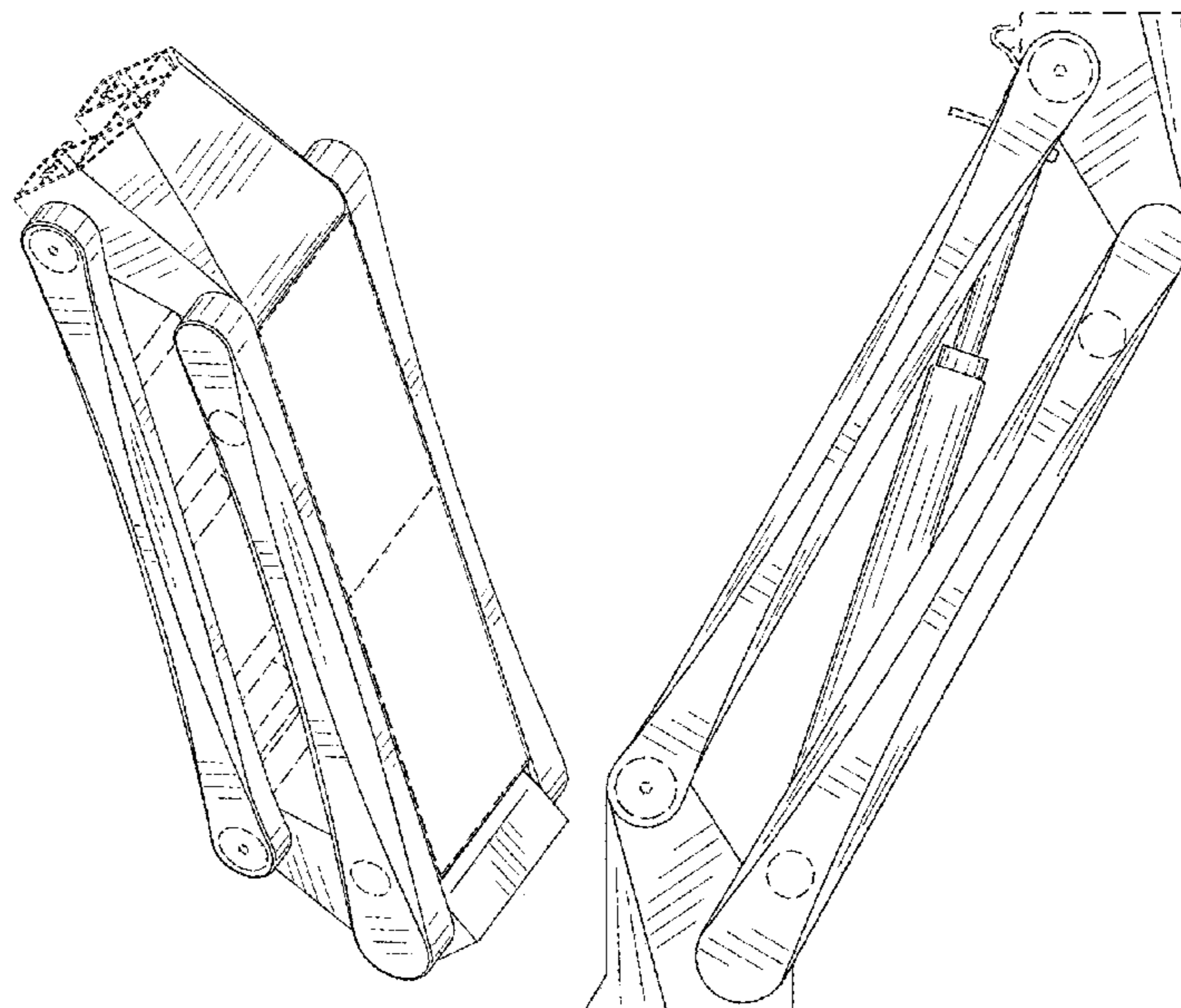
(57) **CLAIM**

We claim the ornamental design for a lifting arm, as shown and described.

DESCRIPTION

FIG. 1 is a left-side, back perspective view of a lifting arm; FIG. 2 is a left side view thereof; FIG. 3 is a right side view thereof; FIG. 4 is a front view thereof; FIG. 5 is a back view thereof; FIG. 6 is a top plan view thereof; FIG. 7 is a bottom plan view thereof; FIG. 8 is a right-side, front perspective view thereof; FIG. 9 is a first front perspective view of the lifting arm, shown in an environment of use; and, FIG. 10 is a second front perspective view of the lifting arm, shown in an environment of use. The broken lines in the drawings are for the purpose of illustrating both environment and portions of the lifting arm that form no part of the claimed design.

1 Claim, 10 Drawing Sheets



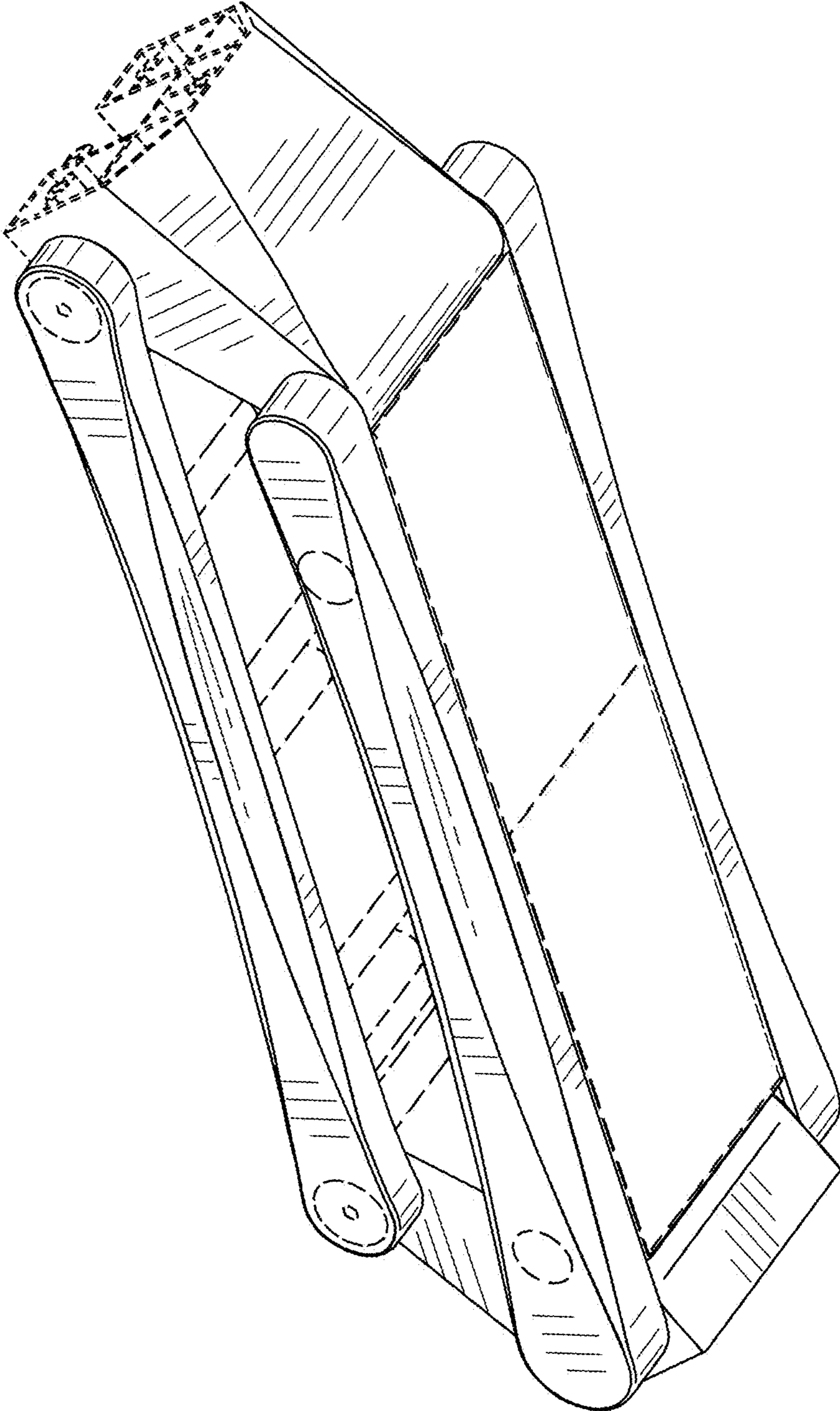


FIG. 1

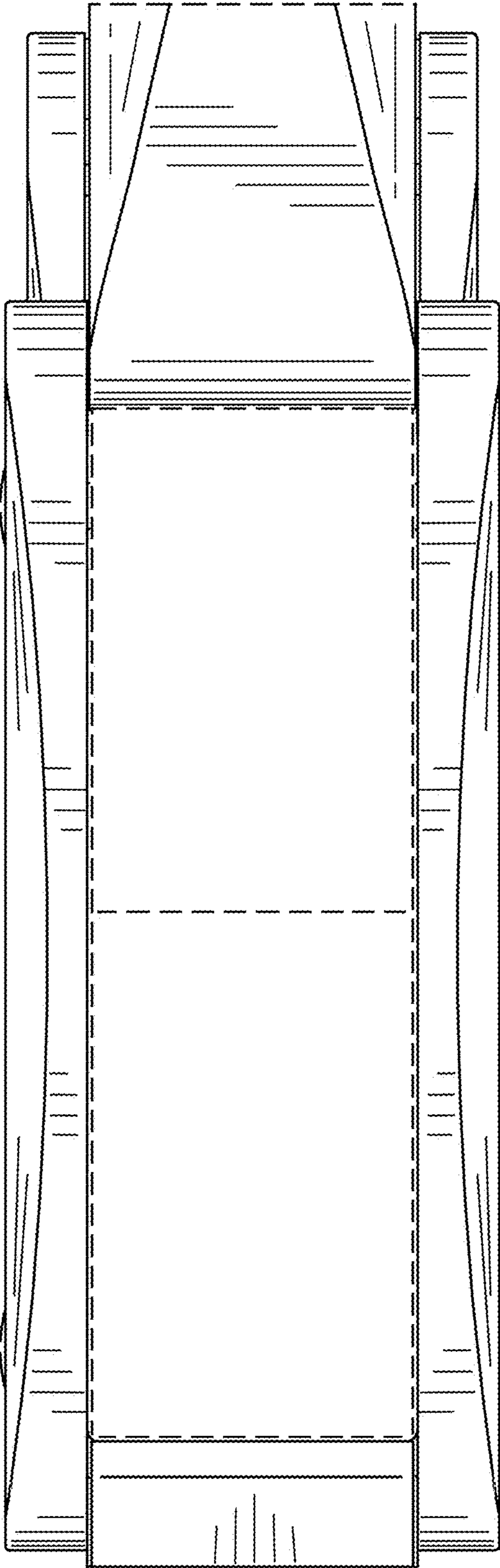


FIG. 2

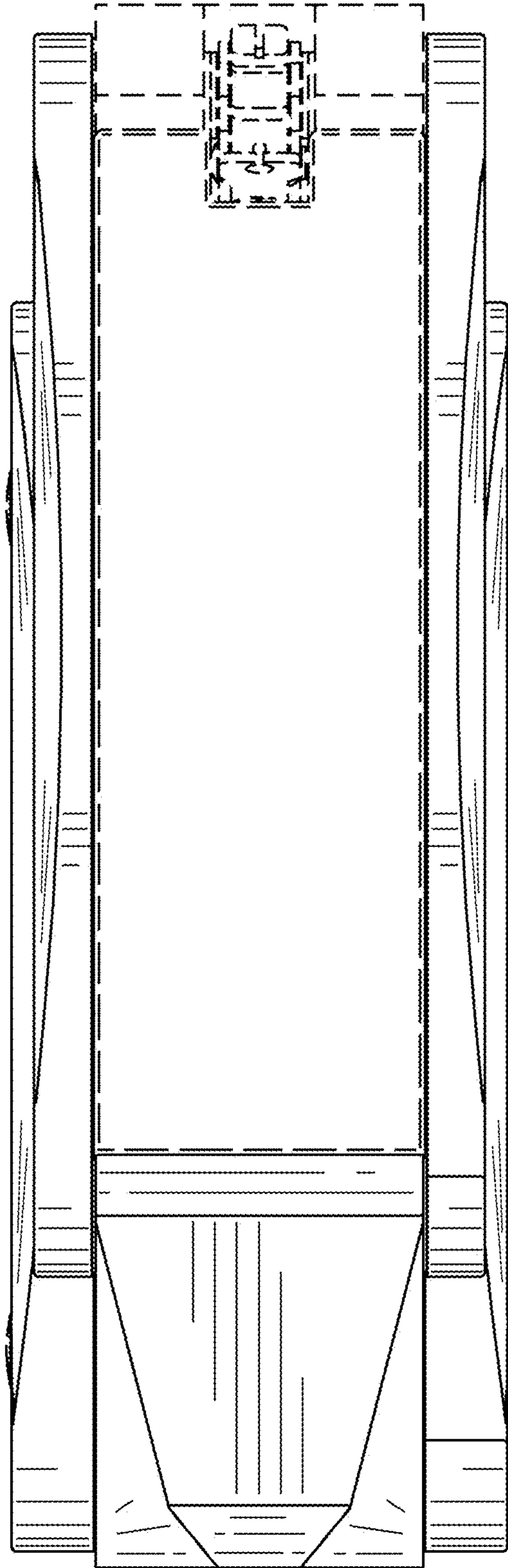


FIG. 3

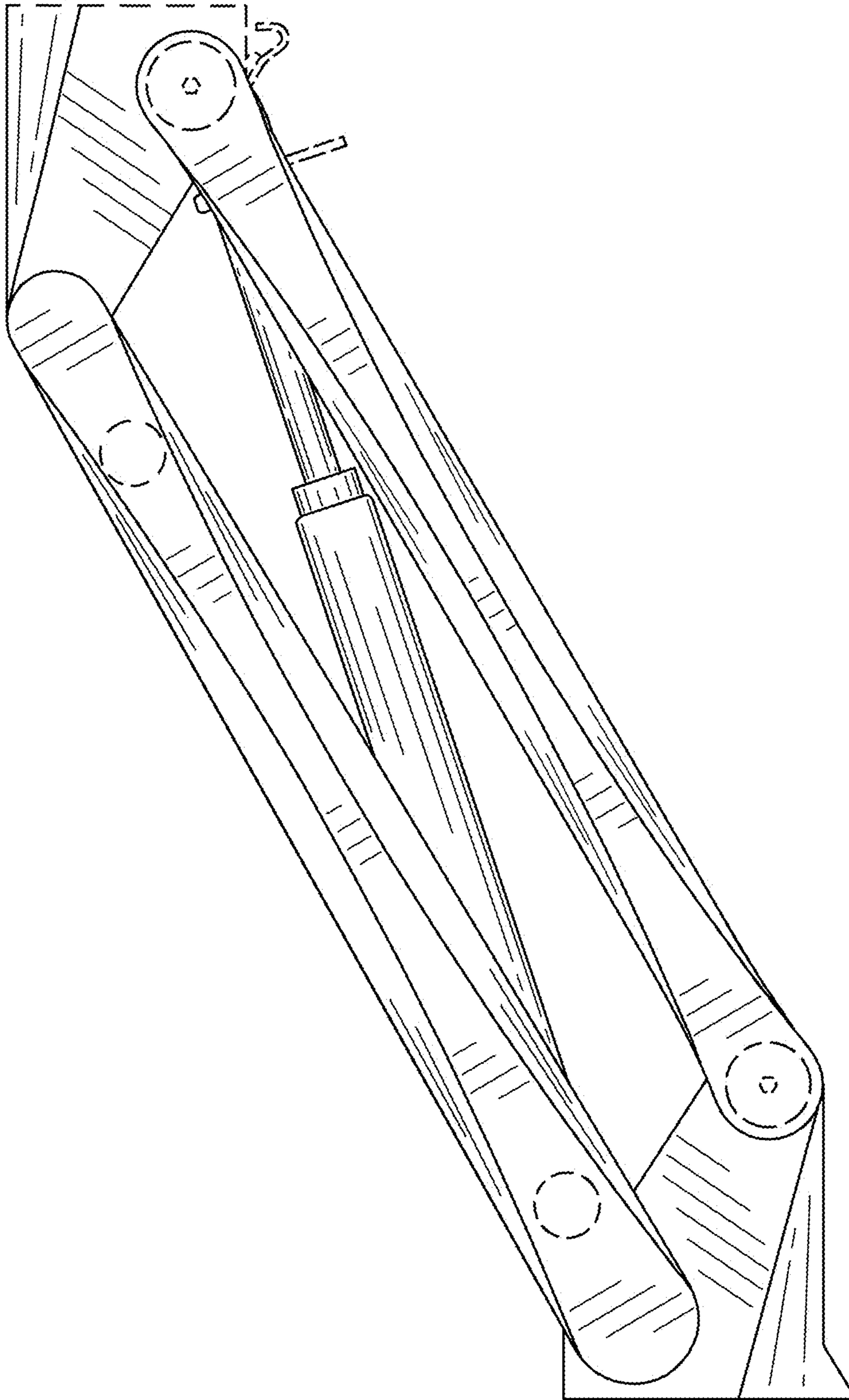


FIG. 4

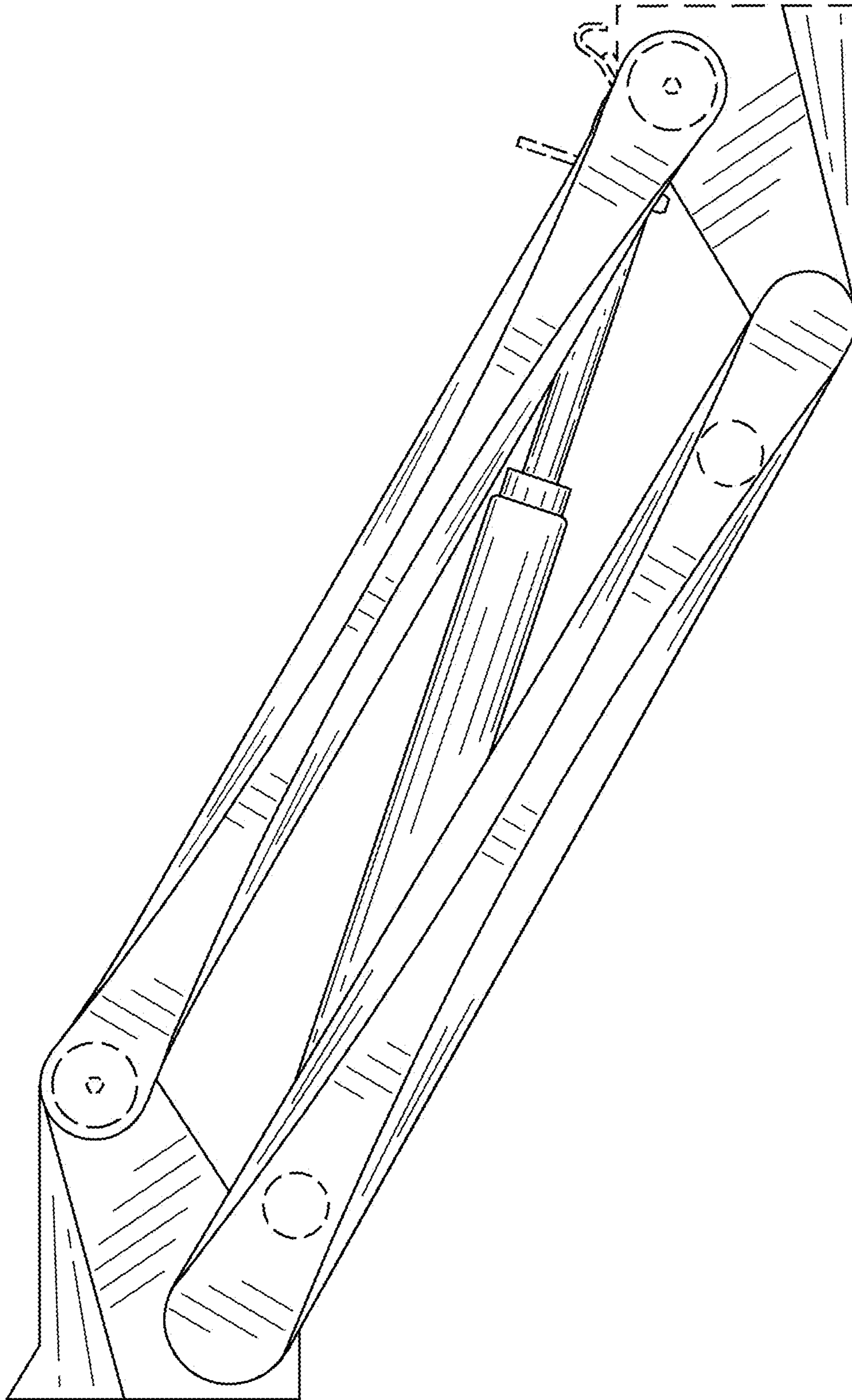


FIG. 5

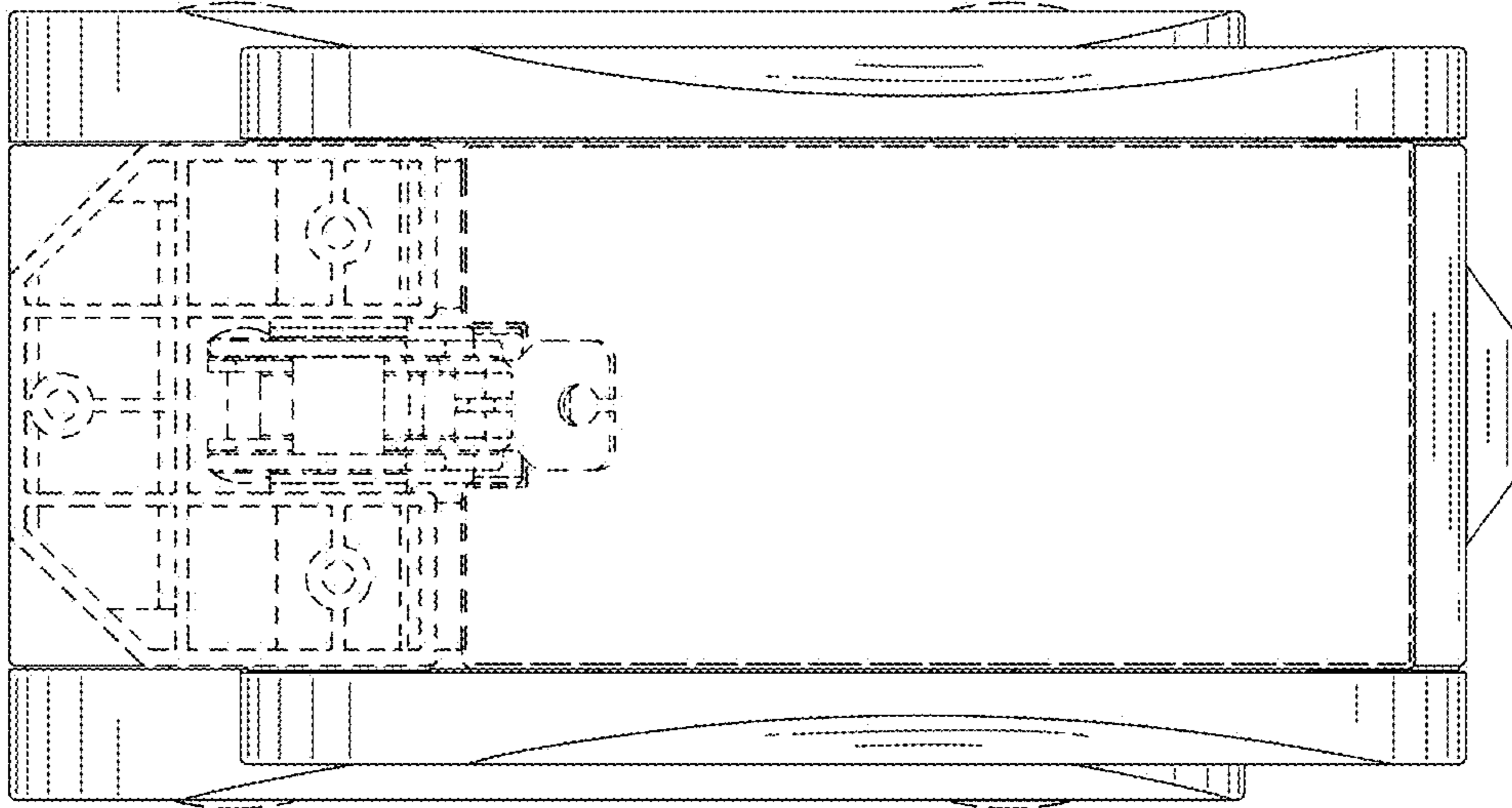


FIG. 6

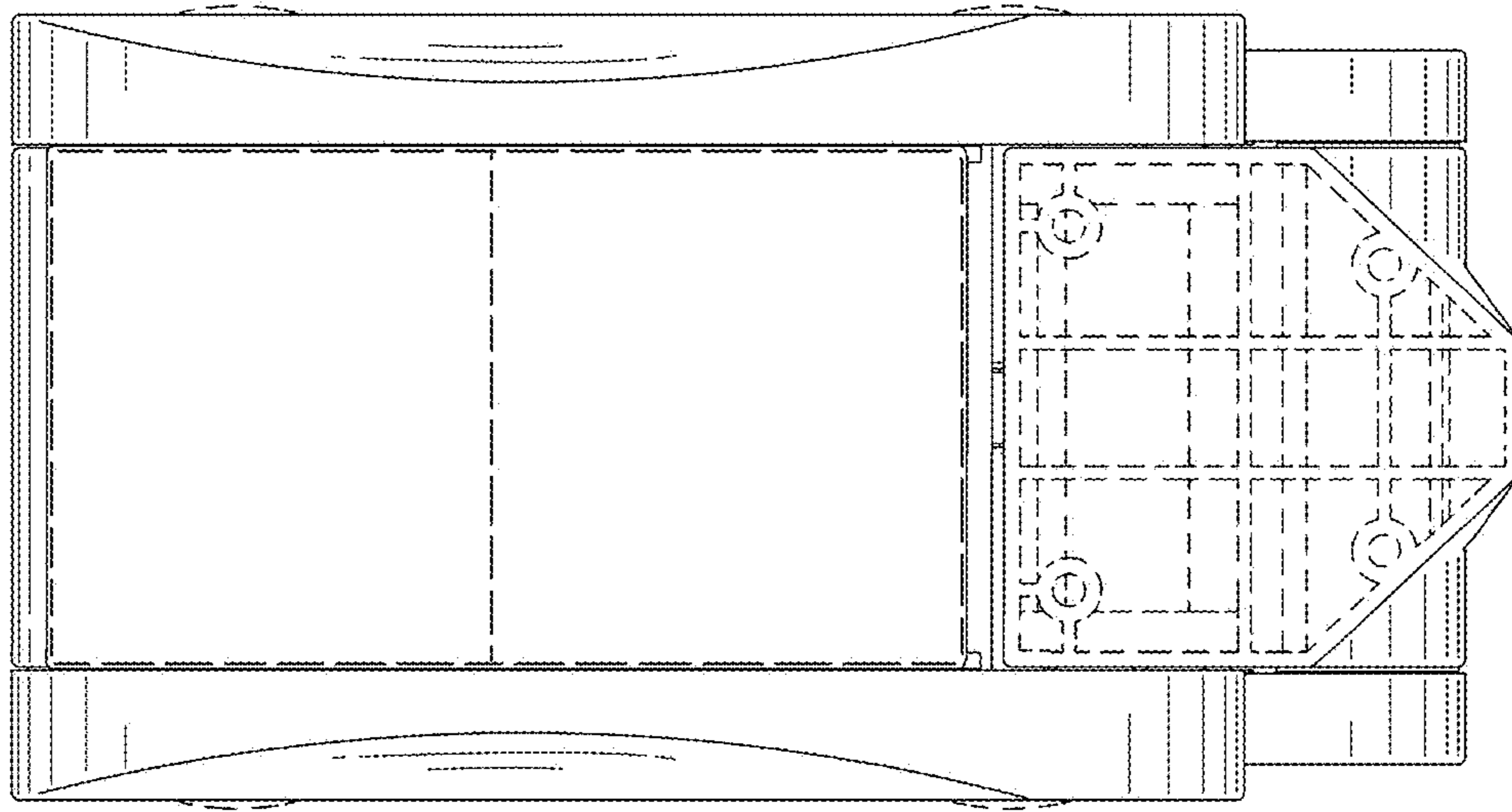


FIG. 7

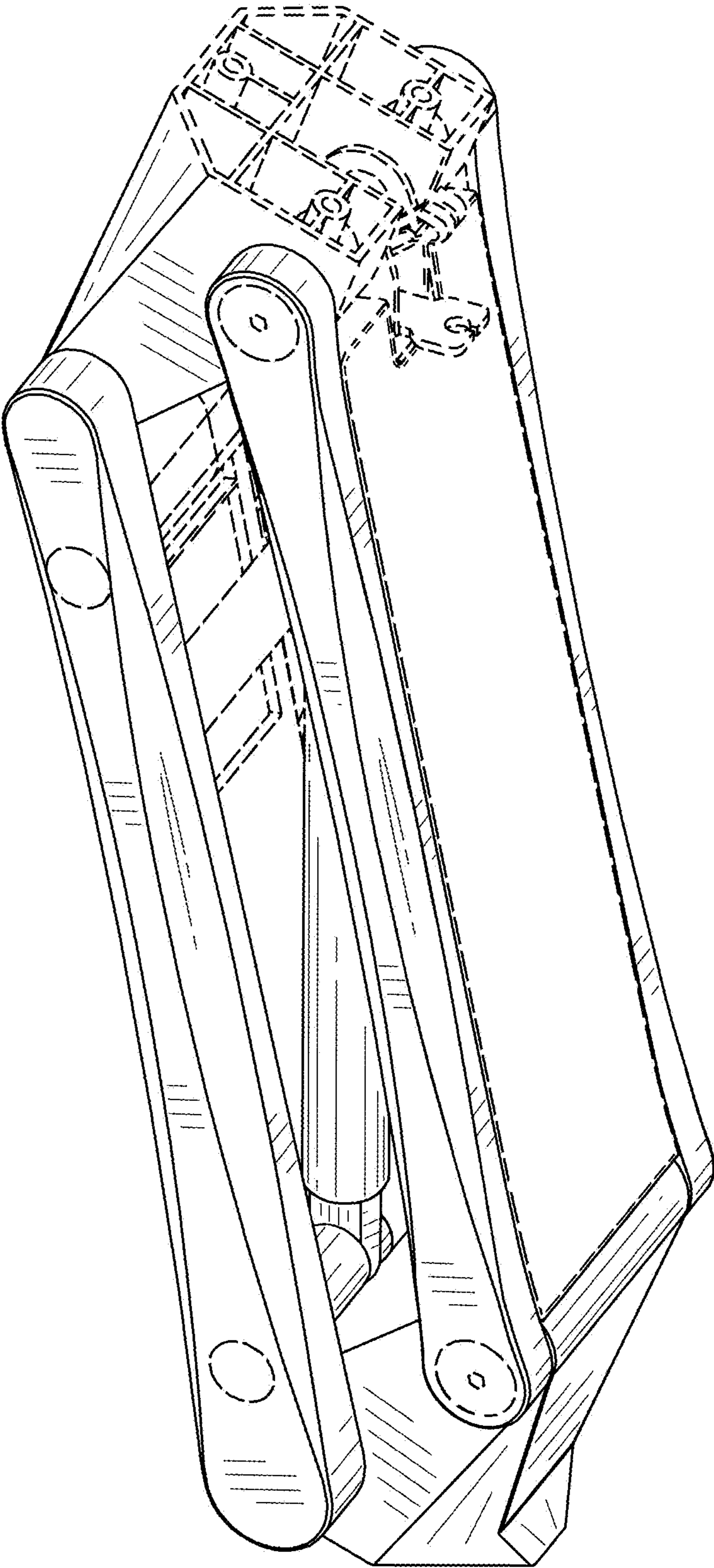


FIG. 8

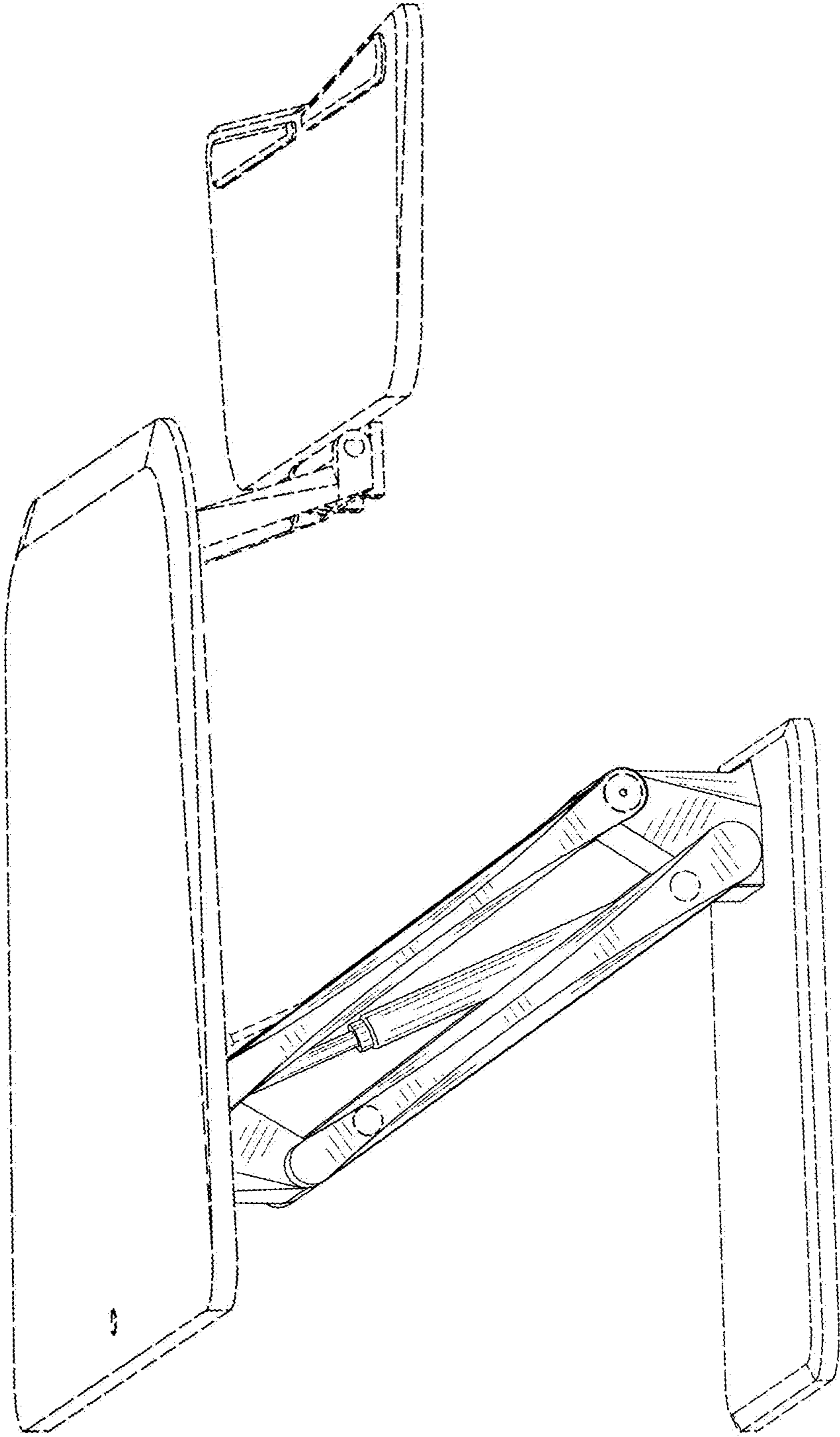


FIG. 9

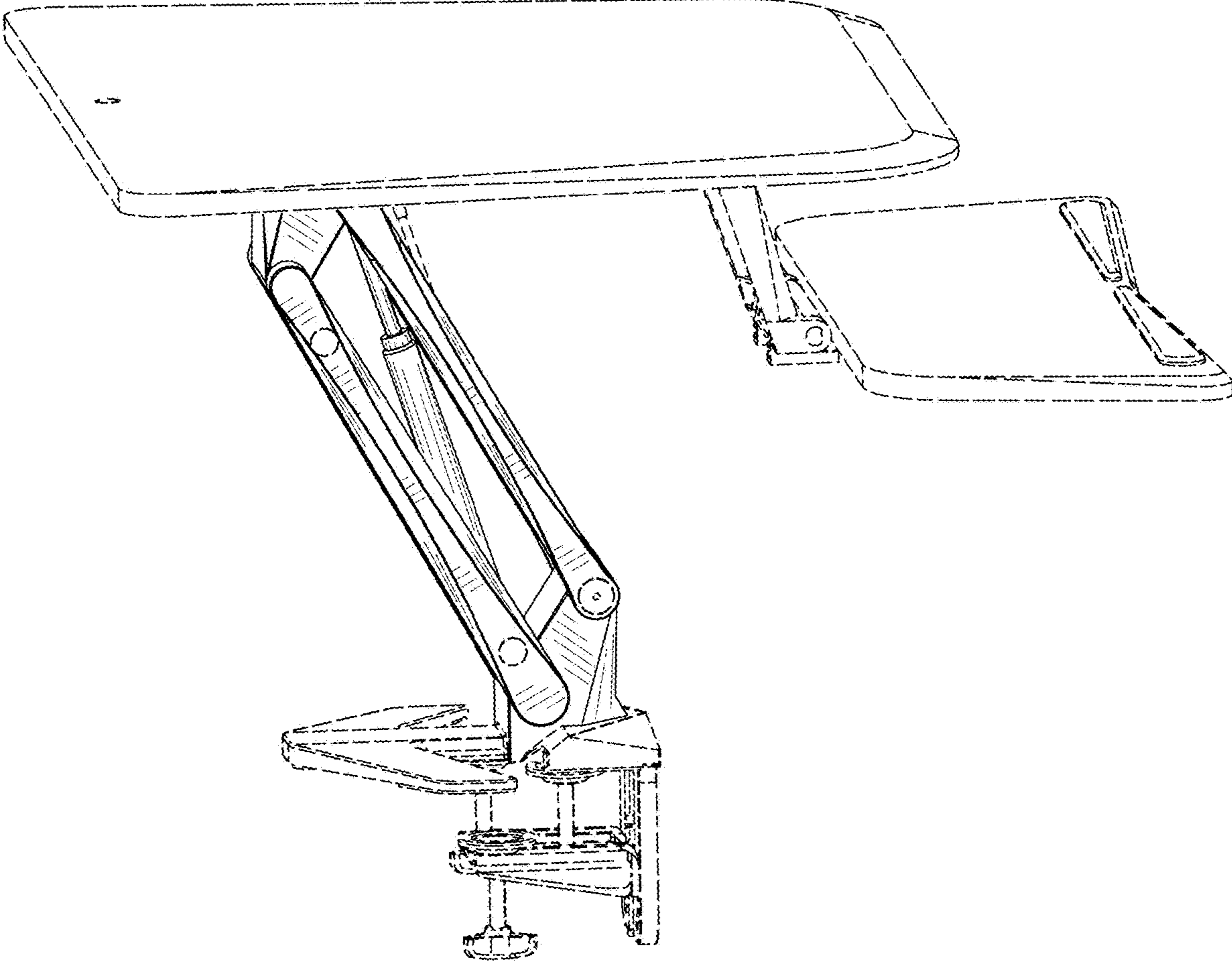


FIG. 10