



US00D891906S

(12) **United States Design Patent**
Carnevali et al.

(10) **Patent No.:** **US D891,906 S**

(45) **Date of Patent:** **** Aug. 4, 2020**

(54) **MOUNTING DEVICE**

(71) Applicant: **National Products, Inc.**, Seattle, WA (US)

(72) Inventors: **Jeffrey D. Carnevali**, Seattle, WA (US); **Stefan Michael Gottschalk**, Seattle, WA (US)

(73) Assignee: **NATIONAL PRODUCTS, INC.**, Seattle, WA (US)

(**) Term: **15 Years**

(21) Appl. No.: **29/675,986**

(22) Filed: **Jan. 7, 2019**

(51) **LOC (12) Cl.** **08-05**

(52) **U.S. Cl.**
USPC **D8/354; D8/349**

(58) **Field of Classification Search**
USPC D8/354, 349, 382; D14/217, 239
CPC ... F16C 11/0695; F16C 11/0604; F16C 11/06;
F16C 11/0685; F16M 2200/024; F16B
5/0657; F16B 5/0664; F16B 21/09; F16B
45/00; H04B 1/3877; G06F 1/1632;
H04M 1/06

See application file for complete search history.

(56) **References Cited**

U.S. PATENT DOCUMENTS

180,881 A	8/1876	Howson
538,534 A	4/1895	Neill
596,729 A	1/1898	White
842,007 A	1/1907	Parker
855,149 A	5/1907	Vaughn et al.
890,656 A	6/1908	Johnson
892,105 A	6/1908	White
958,052 A	5/1910	Williams
1,009,913 A	11/1911	Maguire et al.
1,280,013 A	9/1918	Goddard
1,359,645 A	11/1920	Zink

1,455,441 A	5/1923	Hodny
1,509,068 A	9/1924	Herron
1,934,223 A	11/1933	Booth
2,029,089 A	1/1936	Weirauch
2,114,767 A	4/1938	Hodny et al.
2,121,317 A	6/1938	Cohen
D142,057 S	8/1945	Baxter
2,560,556 A	7/1951	Creedon
2,650,788 A	9/1953	Hulstein

(Continued)

OTHER PUBLICATIONS

Yakattack.us, 7 pages of product description of GearTrac retrieved from web site at: www.yakattack.us/by-product-name/geartrac/, Sep. 19, 2017.

(Continued)

Primary Examiner — Sandra S Snapp

Assistant Examiner — Ieisha N Price

(74) *Attorney, Agent, or Firm* — Lowe Graham Jones PLLC; Bruce E. Black

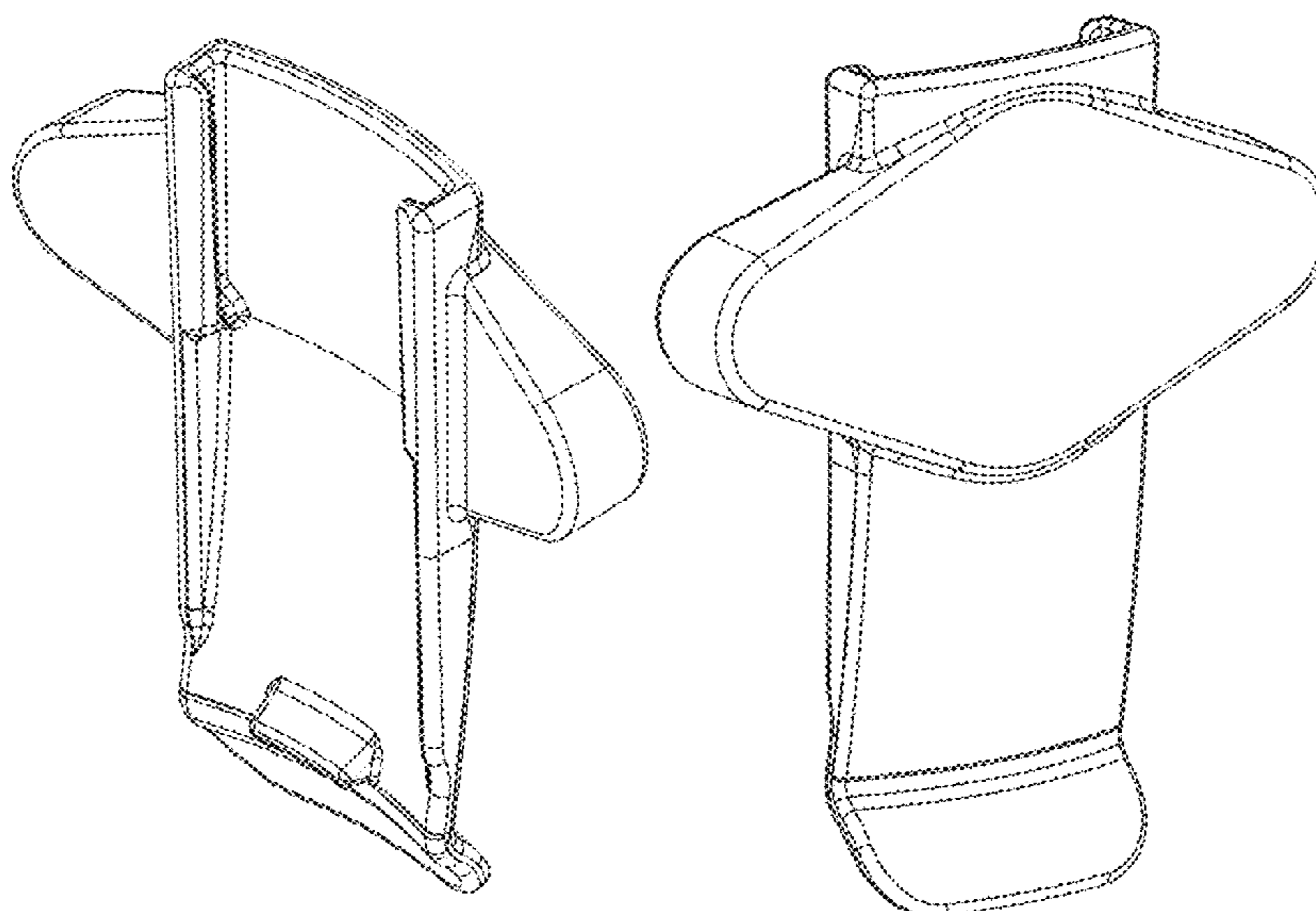
(57) **CLAIM**

The ornamental design for a mounting device, as shown and described.

DESCRIPTION

FIG. 1 is a front left perspective view showing a mounting device according to the invention;
FIG. 2 is a front right perspective view showing the mounting device of FIG. 1;
FIG. 3 is a back right perspective view showing the mounting device of FIG. 1;
FIG. 4 is a back left perspective view showing the mounting device of FIG. 1;
FIG. 5 is a front elevational view showing the mounting device of FIG. 1; and,
FIG. 6 is a back elevational view showing the mounting device of FIG. 1.

1 Claim, 6 Drawing Sheets



(56)

References Cited

U.S. PATENT DOCUMENTS

2,688,504 A	9/1954	Parker	7,320,450 B2	1/2008	Carnevali	
2,710,609 A	6/1955	Giller	D563,781 S	3/2008	Carnevali	
2,723,823 A	11/1955	Polk	D564,062 S	3/2008	Carnevali	
2,752,173 A	6/1956	Krooss	7,337,934 B2	3/2008	Ailing et al.	
2,859,710 A	11/1958	Elsner	D571,278 S *	6/2008	Carnevali	D12/223
2,861,501 A	11/1958	Strelakos	7,401,995 B2	7/2008	Senakiewich, II	
3,096,061 A	7/1963	Bertell	7,422,184 B2	9/2008	Carnevali	
3,252,677 A	5/1966	Raymond	D588,903 S	3/2009	Carnevali	
3,304,038 A	2/1967	Guthrie	D589,327 S	3/2009	Carnevali	
3,605,637 A	9/1971	Prete, Jr.	D590,696 S	4/2009	Carnevali	
3,652,050 A	3/1972	Marrujo et al.	7,523,904 B2	4/2009	Carnevali	
3,779,502 A	12/1973	Marberg	7,551,458 B2	6/2009	Carnevali	
3,843,272 A	10/1974	Jorn	7,556,463 B1	7/2009	Hall	
4,060,241 A	11/1977	Hegel	7,571,522 B2	8/2009	Carnevali	
4,060,331 A	11/1977	Domer et al.	7,594,631 B1 *	9/2009	Carnevali	B60R 11/0241 248/219.4
4,066,231 A	1/1978	Bahner	7,607,622 B2	10/2009	Carnevali	
4,066,311 A	1/1978	Poulson	7,682,543 B2	3/2010	Carnevali	
D247,420 S	3/1978	Reynolds	7,731,140 B2	6/2010	Carnevali	
4,085,684 A	4/1978	McLennan et al.	7,774,973 B2	8/2010	Carnevali	
4,183,387 A	1/1980	Lenz	D629,080 S	12/2010	Dole et al.	
4,205,486 A	6/1980	Guarnacci	7,849,630 B2	12/2010	Carnevali	
4,222,680 A	9/1980	Browning	7,850,133 B2	12/2010	Carnevali	
4,225,258 A	9/1980	Thompson	7,854,204 B2	12/2010	Dacus	
4,307,864 A	12/1981	Benoit	RE42,060 E	1/2011	Carnevali	
4,461,284 A	7/1984	Fackler	7,887,018 B2	2/2011	Carnevali	
4,491,435 A	1/1985	Meier	7,950,701 B2	5/2011	Dole et al.	
4,585,197 A	4/1986	Liautaud et al.	7,954,773 B2	6/2011	Carnevali	
4,611,839 A	9/1986	Rung et al.	7,975,971 B2	7/2011	Carnevali	
4,620,813 A	11/1986	Lacher	7,980,798 B1	7/2011	Kuehn et al.	
4,641,986 A	2/1987	Tsui et al.	RE42,581 E	8/2011	Carnevali	
4,677,794 A	7/1987	Parron et al.	7,988,106 B2	8/2011	Carnevali	
4,688,843 A	8/1987	Hall	8,020,828 B2	9/2011	Carnevali	
4,796,508 A	1/1989	Hoshino	8,037,904 B2	10/2011	Carnevali	
4,800,795 A	1/1989	Yamashita	8,070,026 B2 *	12/2011	Wadsworth	A45C 11/00 224/197
4,805,784 A	2/1989	Solheim et al.	8,156,681 B2	4/2012	Carnevali	
4,842,308 A	6/1989	Spotts	D659,521 S *	5/2012	Nagahori	D8/382
4,872,630 A	10/1989	Cooper	8,177,112 B1 *	5/2012	Crawford	A45F 5/02 224/666
4,950,099 A	8/1990	Roellin	8,201,788 B2	6/2012	Carnevali	
5,071,279 A	12/1991	Rutstrom	8,235,340 B2	8/2012	Carnevali	
5,092,551 A	3/1992	Meier	RE43,806 E	11/2012	Carnevali	
5,109,321 A	4/1992	Maglica et al.	8,322,955 B2	12/2012	Arnesen et al.	
5,118,058 A	6/1992	Richter	8,408,853 B2	4/2013	Womack et al.	
5,241,796 A	9/1993	Hellwig et al.	8,454,178 B2	6/2013	Carnevali	
5,251,859 A	10/1993	Cyrell et al.	8,505,861 B2	8/2013	Carnevali	
5,259,711 A	11/1993	Beck	8,534,519 B2	9/2013	Hancock et al.	
5,270,911 A	12/1993	Maglica et al.	8,590,855 B2	11/2013	Carnevali	
5,284,098 A	2/1994	Klapperich et al.	8,651,289 B2	2/2014	Diaz, Jr. et al.	
5,305,700 A	4/1994	Strong et al.	8,776,698 B2	7/2014	Pherson	
5,419,522 A	5/1995	Luecke et al.	D718,612 S *	12/2014	McSweyn	D8/363
5,441,225 A	8/1995	Hall	8,992,238 B2	3/2015	Chinn	
5,564,668 A	10/1996	Crowe, II	9,056,580 B2	6/2015	Baldsiefen et al.	
5,628,597 A	5/1997	Chudoba et al.	9,180,925 B2	11/2015	Carnevali	
5,727,858 A	3/1998	Shapiro	9,253,970 B2	2/2016	Carnevali	
5,823,724 A	10/1998	Lee	9,365,150 B2	6/2016	Baldsiefen et al.	
5,845,885 A	12/1998	Carnevali	9,379,504 B2	6/2016	Chinn	
6,173,926 B1	1/2001	Elvegaard	9,596,926 B1 *	3/2017	Volmer	A45F 5/02
6,308,642 B1	10/2001	Branam et al.	9,623,787 B2	4/2017	Sterling	
6,561,476 B2	5/2003	Carnevali	9,671,060 B1	6/2017	Cifers	
6,581,892 B2	6/2003	Carnevali	9,785,204 B1 *	10/2017	Miller	G06F 1/1626
6,588,722 B2	7/2003	Eguchi et al.	9,628,073 B2	11/2017	Cifers, III	
6,666,420 B1	12/2003	Carnevali	9,831,904 B1 *	11/2017	Carnevali	H04B 1/3877
6,688,568 B1	2/2004	Moufflet	9,863,576 B1 *	1/2018	Cifers	F16M 13/02
6,695,183 B2	2/2004	Hancock et al.	9,872,954 B2 *	1/2018	Crane	A61M 5/14244
6,789,988 B1	9/2004	Moradians	9,944,217 B2	4/2018	Schroeder et al.	
6,846,140 B2	1/2005	Anderson et al.	D819,116 S *	5/2018	Paterson	D16/242
6,902,089 B2	6/2005	Carnevali	9,975,466 B2	5/2018	Hendren et al.	
6,945,414 B1	9/2005	Stevens et al.	D821,365 S *	6/2018	Gheysens	D14/224
7,090,181 B2	8/2006	Biba et al.	9,987,993 B2	6/2018	Thorimbert	
7,100,808 B2	9/2006	Hancock et al.	10,104,928 B2 *	10/2018	Volmer	A42B 1/24
7,159,998 B2	1/2007	Moreland	D835,493 S *	12/2018	Chun	D8/354
D539,639 S	4/2007	Nagle	D867,355 S *	11/2019	Chun	D14/253
D551,058 S *	9/2007	Carnevali	D876,204 S *	2/2020	Stener	D8/354
7,277,240 B2	10/2007	Carnevali	2002/0166936 A1 *	11/2002	Carnevali	F16M 11/14 248/288.31
7,296,771 B2 *	11/2007	Kalis	2003/0042282 A1	3/2003	Gates et al.	

US D891,906 S

(56)

References Cited

U.S. PATENT DOCUMENTS

2003/0110595	A1*	6/2003	Collins	A45F 5/02 24/3.12
2003/0185008	A1	10/2003	Moreland		
2004/0144904	A1*	7/2004	Carnevali	B60N 3/101 248/278.1
2004/0178309	A1	9/2004	Crowley et al.		
2004/0188576	A1*	9/2004	Carnevali	F16M 13/00 248/206.5
2005/0036848	A1	2/2005	Cunningham et al.		
2005/0092876	A1	5/2005	Carnevali		
2005/0132937	A1	6/2005	Branam		
2006/0000957	A1	1/2006	Carnevali		
2006/0102823	A1	5/2006	Carnevali		
2006/0140395	A1*	6/2006	Kim	A45F 5/02 379/428.01
2007/0040080	A1*	2/2007	Carnevali	F16M 11/041 248/205.1
2008/0061197	A1*	3/2008	Carnevali	F16M 11/14 248/181.1
2008/0115344	A1	5/2008	Carnevali		
2008/0296334	A1	12/2008	Carnevali		
2009/0014584	A1	1/2009	Ruddock et al.		
2009/0095206	A1	4/2009	Dacus		
2009/0108151	A1	4/2009	Carnevali		
2009/0108152	A1	4/2009	Carnevali		
2009/0140112	A1	6/2009	Carnevali		
2009/0241293	A1	10/2009	Swerdlick		
2010/0282802	A1	11/2010	Carnevali		
2010/0284199	A1	11/2010	Carnevali		
2010/0288843	A1	11/2010	Arnesen et al.		
2011/0024587	A1*	2/2011	Tsai	A47K 10/10 248/206.2
2011/0095159	A1*	4/2011	Carnevali	F16M 11/041 248/372.1
2011/0097177	A1	4/2011	Carnevali		
2011/0141595	A1*	6/2011	Carnevali	B60R 1/04 359/871

2011/0265290	A1*	11/2011	Carnevali	F16B 2/08 24/326
2012/0006948	A1	1/2012	Hiss et al.		
2012/0045276	A1*	2/2012	Carnevali	F16B 7/20 403/350
2012/0181409	A1	7/2012	Hayahara et al.		
2012/0217353	A1	8/2012	Hennon		
2012/0318937	A1	12/2012	Carnevali		
2013/0133158	A1	5/2013	Tran		
2014/0003878	A1	1/2014	Knox et al.		
2014/0034794	A1	2/2014	Carnevali		
2014/0226315	A1	8/2014	Nicieja et al.		
2014/0248103	A1	9/2014	Baldsiefen et al.		
2015/0030386	A1	1/2015	Carnevali		
2015/0275942	A1	10/2015	Carnevali		
2016/0288691	A1	10/2016	Aubrey et al.		
2017/0188123	A1*	6/2017	Wright	H04R 1/026
2017/0209318	A1	7/2017	Schroeder et al.		
2018/0345476	A1	12/2018	Carnevali		
2018/0347749	A1	12/2018	Carnevali		
2018/0363842	A1	12/2018	Carnevali		
2019/0014767	A1	1/2019	Carnevali		
2019/0017651	A1	1/2019	Carnevali		
2019/0316628	A1*	10/2019	Carnevali	F16C 11/0685
2020/0050086	A1*	2/2020	Thomson	F16M 13/00

OTHER PUBLICATIONS

Yakattack.us, 4 pages of product description of GTTL retrieved from web site at: www.yakattack.us/geartrac/gttl/, Sep. 19, 2017.

Yakattack.us, 6 pages of product description of GTSL90 retrieved from web site at: www.yakattack.us/by-product-name/geartrac/gtsl90/, Sep. 19, 2017.

Yakattack.us, 5 pages of product description of GT90 retrieved from web site at: www.yakattack.us/geartrac/gt90/, Sep. 19, 2017.

Yakattack.us, 4 pages of product description of GT175 retrieved from web site at: www.yakattack.us/geartrac/gt175/, Sep. 19, 2017.

* cited by examiner

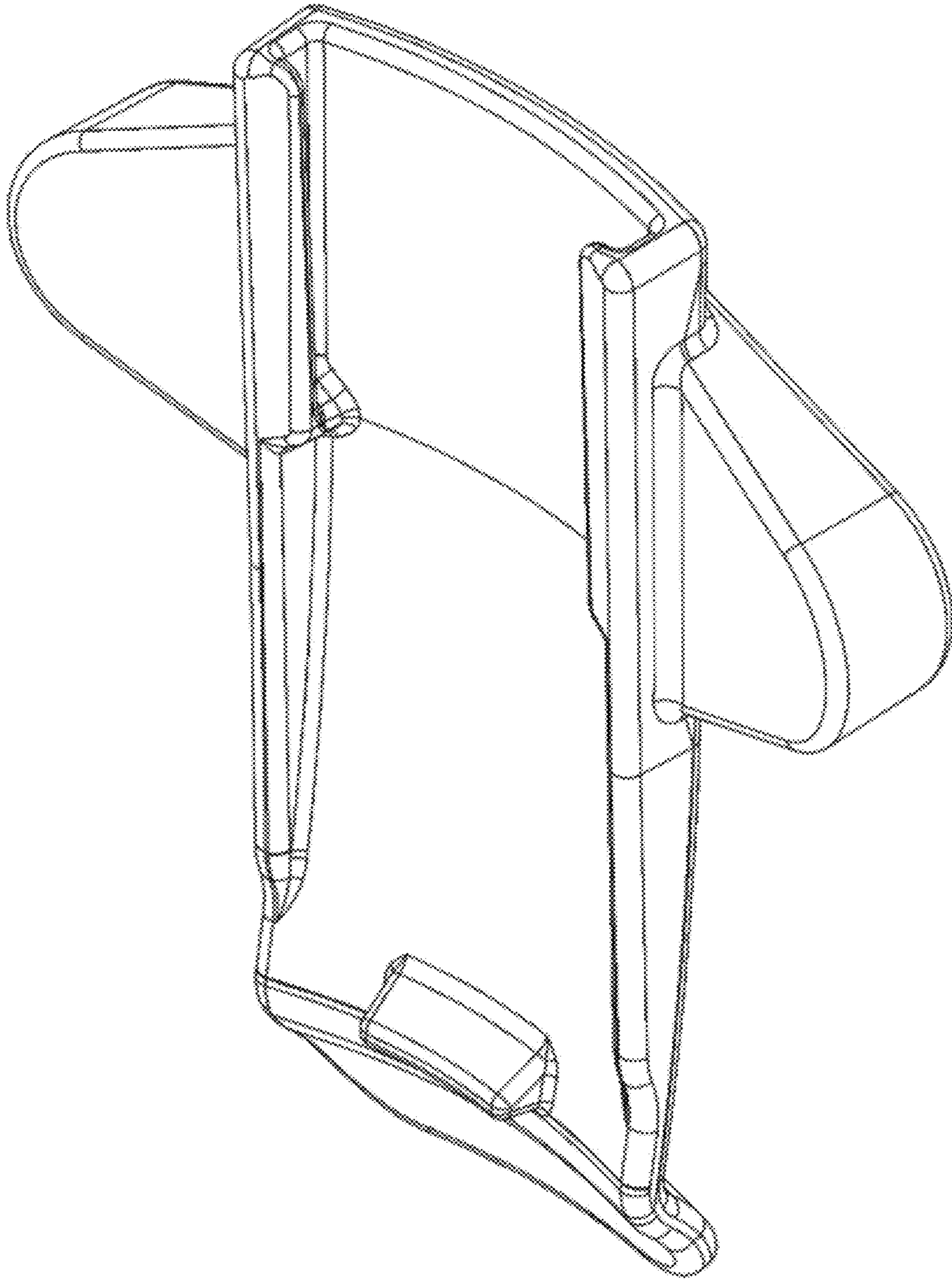


Fig. 1

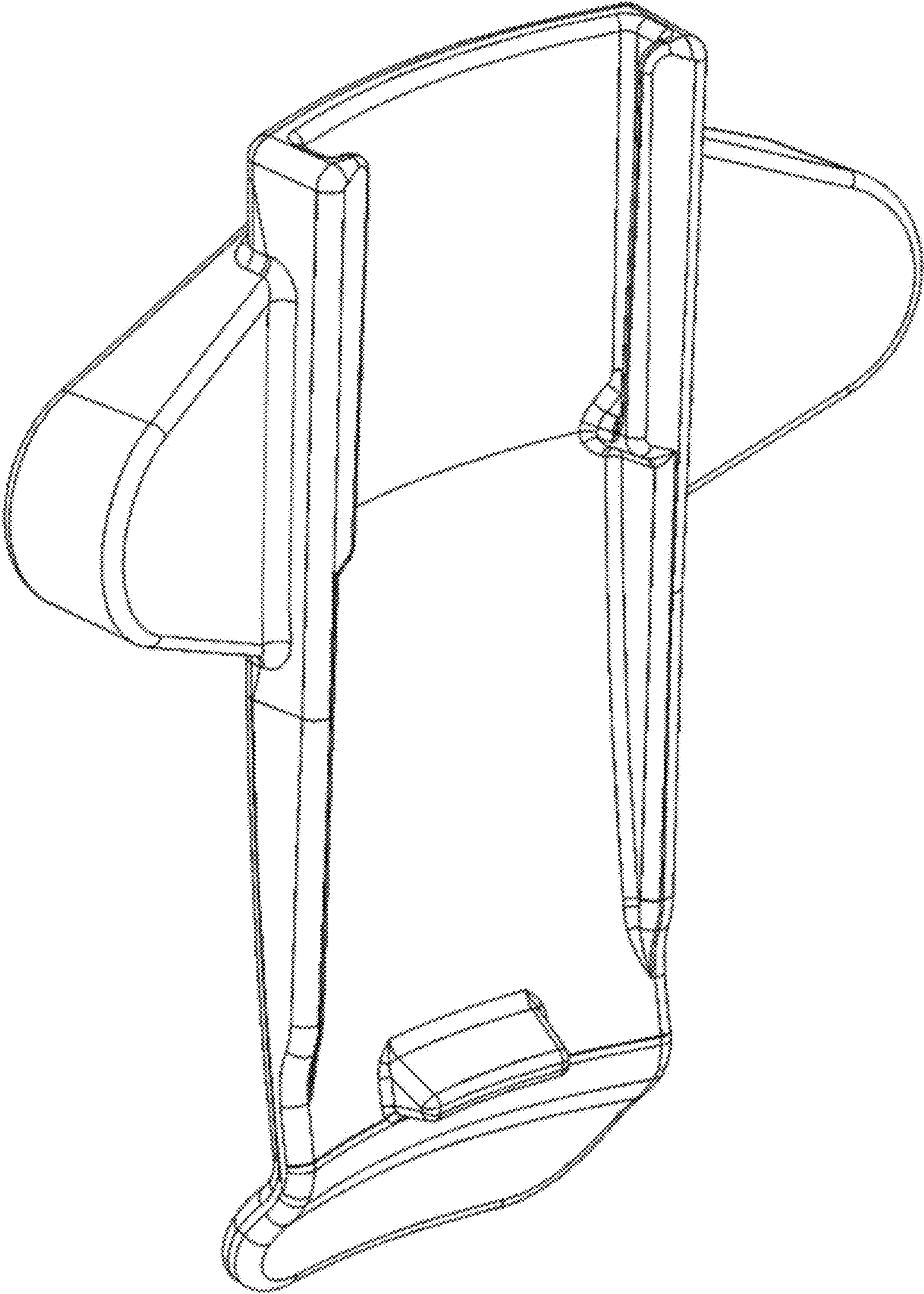


Fig. 2

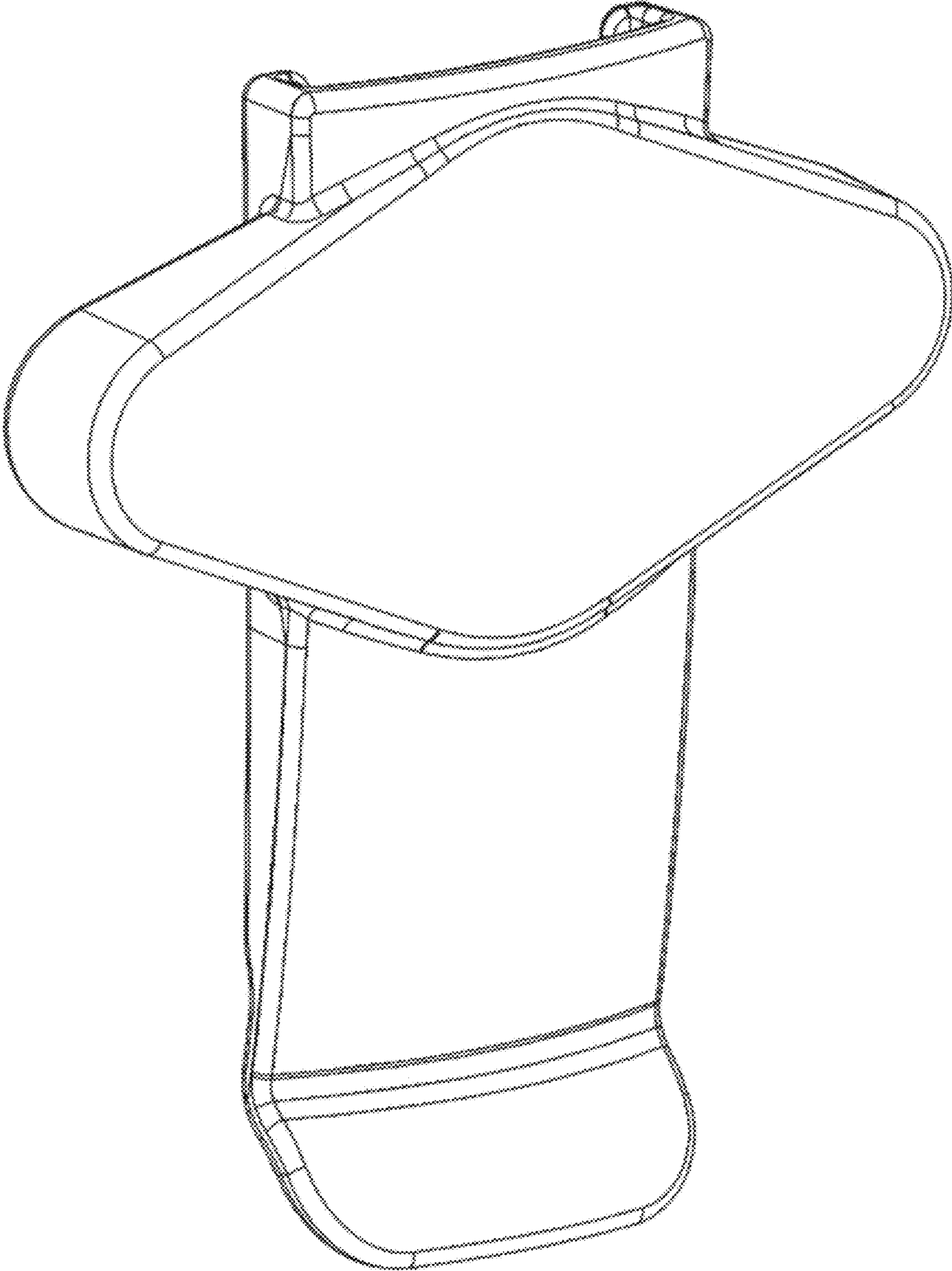


Fig. 3

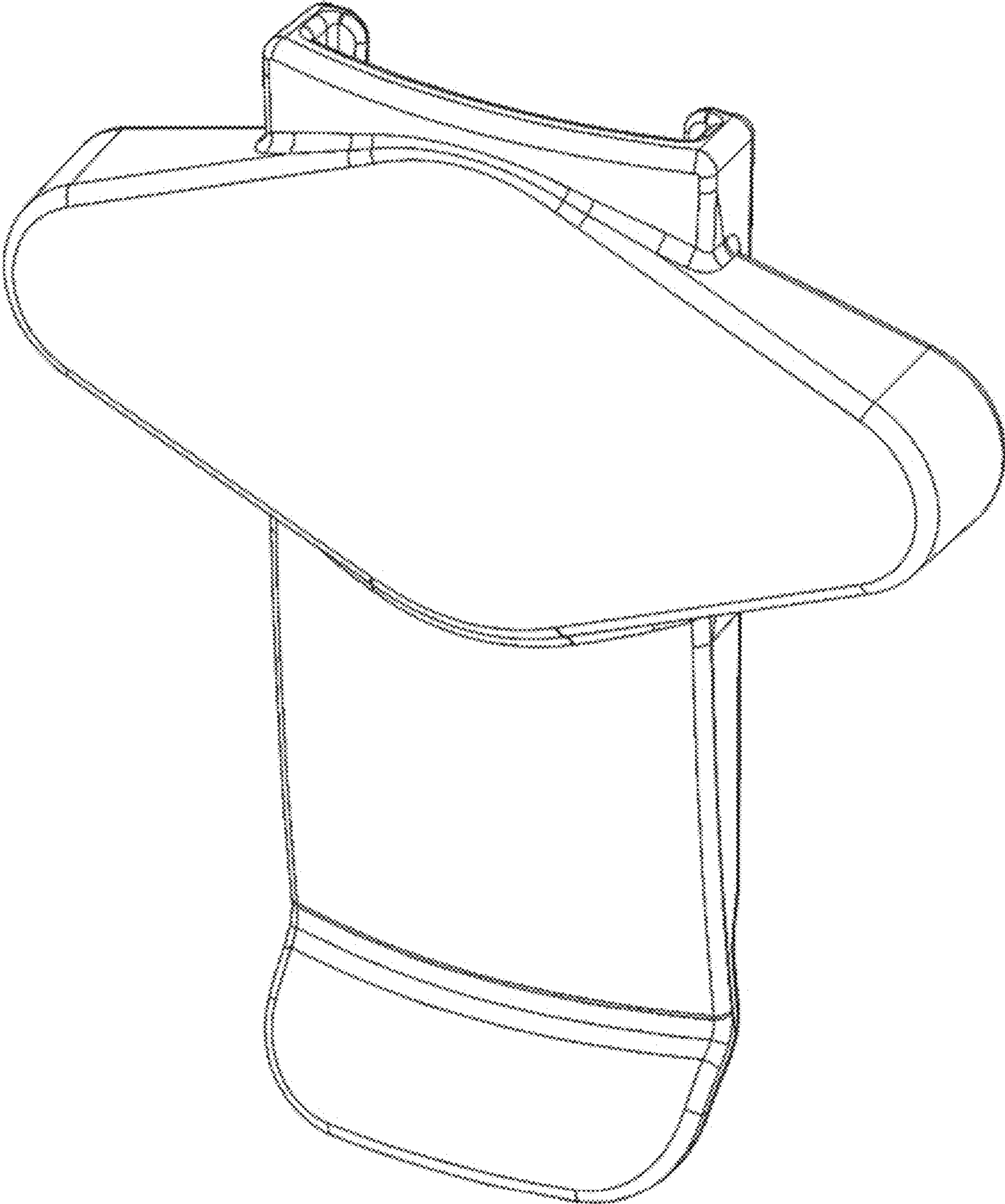


Fig. 4

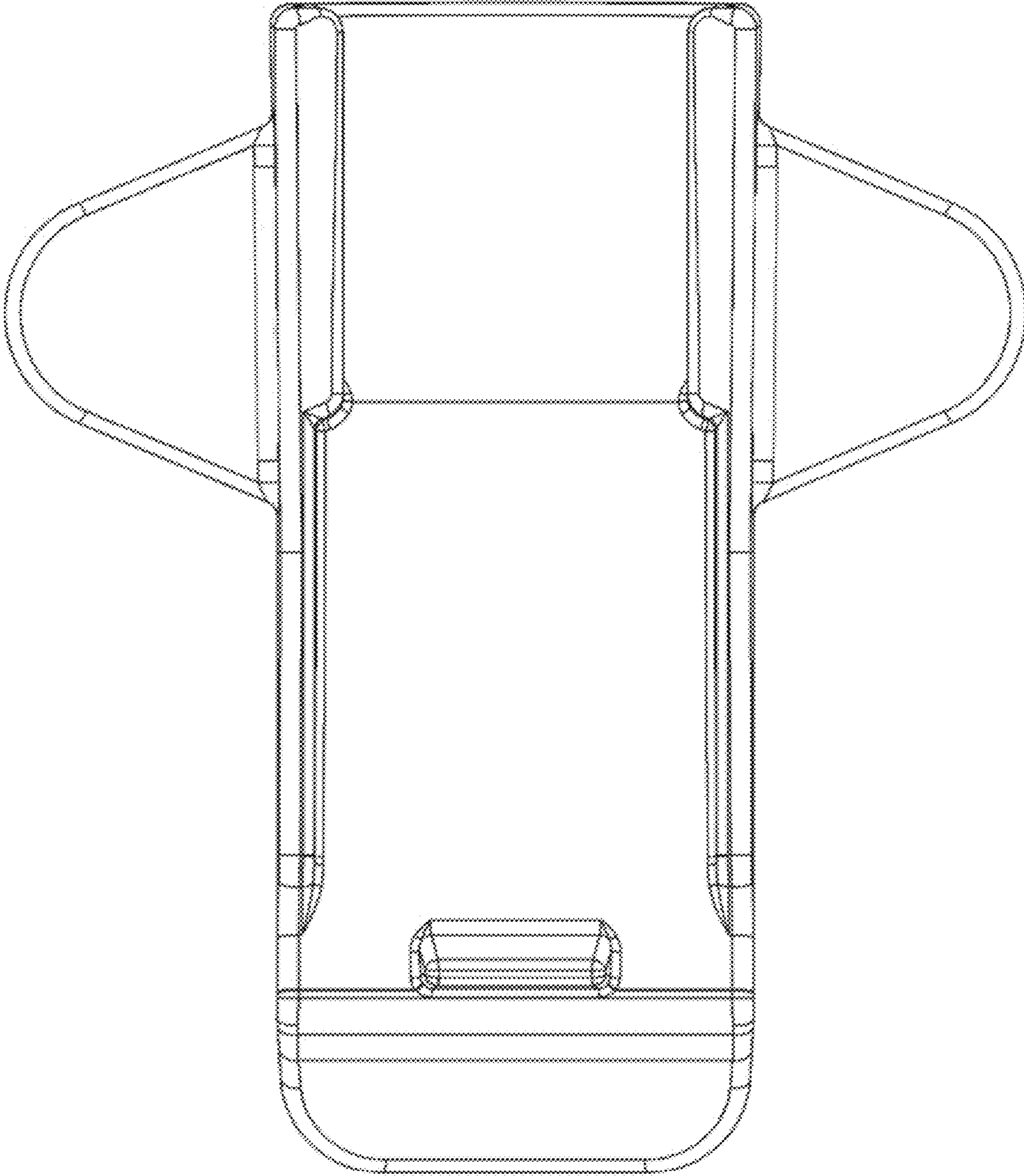


Fig. 5

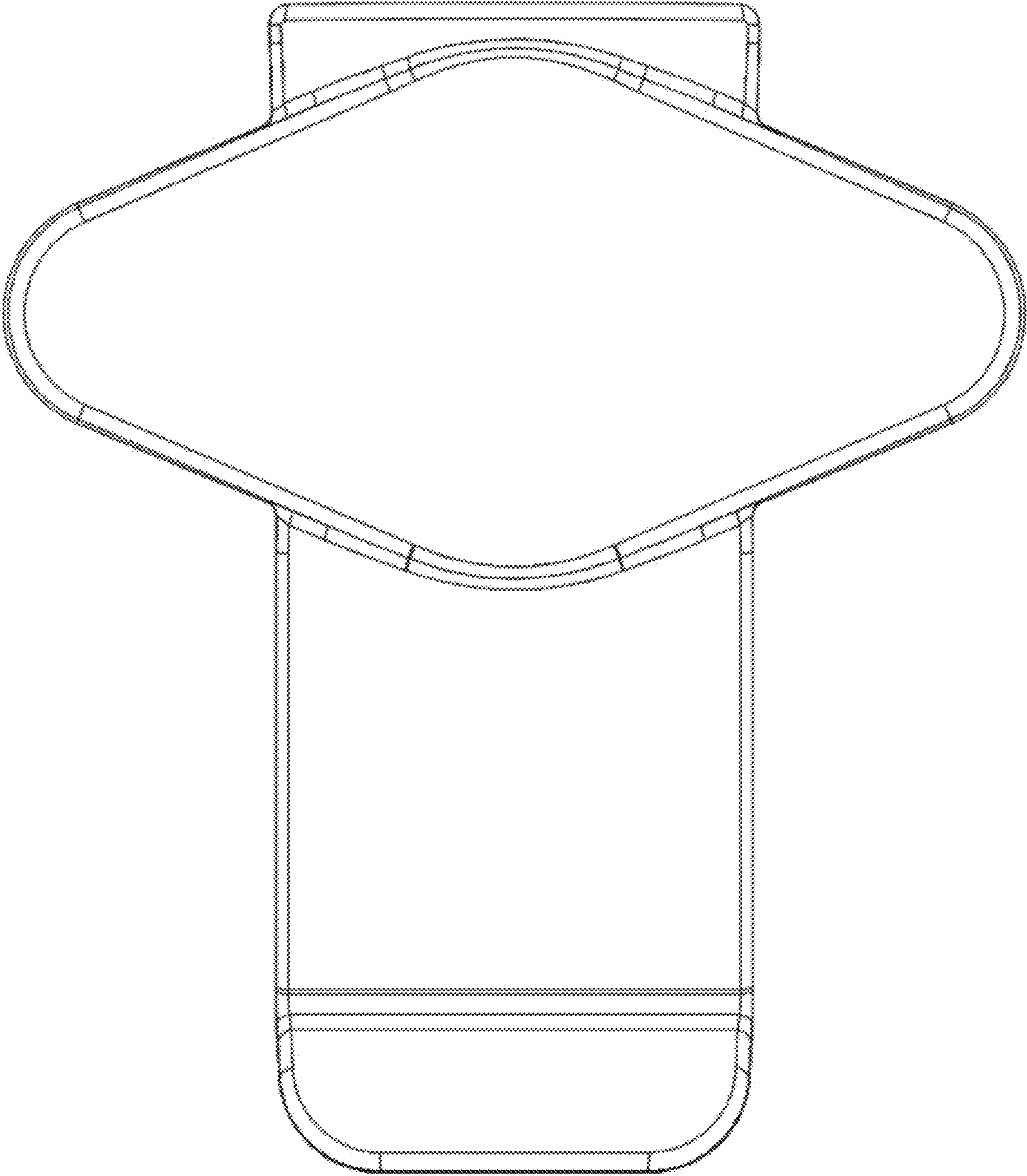


Fig. 6