



US00D891905S

(12) **United States Design Patent**
Carnevali et al.

(10) **Patent No.:** **US D891,905 S**
(45) **Date of Patent:** **** Aug. 4, 2020**

(54) **MOUNTING DEVICE WITH BALL**

(71) Applicant: **National Products, Inc.**, Seattle, WA (US)

(72) Inventors: **Jeffrey D. Carnevali**, Seattle, WA (US); **Stefan Michael Gottschalk**, Seattle, WA (US)

(73) Assignee: **NATIONAL PRODUCTS, INC.**, Seattle, WA (US)

(**) Term: **15 Years**

(21) Appl. No.: **29/675,983**

(22) Filed: **Jan. 7, 2019**

(51) **LOC (12) Cl.** **08-05**

(52) **U.S. Cl.**
USPC **D8/354**

(58) **Field of Classification Search**
USPC D8/354, 349, 382; D14/217, 239
CPC ... F16C 11/0695; F16C 11/0604; F16C 11/06;
F16C 11/0685; F16M 2200/024; F16B
5/0657; F16B 5/0664; F16B 21/09; F16B
45/00; H04B 1/3877; G06F 1/1632;
H04M 1/06

See application file for complete search history.

(56) **References Cited**

U.S. PATENT DOCUMENTS

180,881 A	8/1876	Howson
538,534 A	4/1895	Neill
596,729 A	1/1898	White
842,007 A	1/1907	Parker
855,149 A	5/1907	Vaughn et al.
890,656 A	6/1908	Johnson
892,105 A	6/1908	White
958,052 A	5/1910	Williams
1,009,913 A	11/1911	Maguire et al.
1,280,013 A	9/1918	Goddard
1,359,645 A	11/1920	Zink

1,455,441 A	5/1923	Hodny
1,509,068 A	9/1924	Herron
1,934,223 A	11/1933	Booth
2,029,089 A	1/1936	Weirauch
2,114,767 A	4/1938	Hodny et al.
2,121,317 A	6/1938	Cohen

(Continued)

OTHER PUBLICATIONS

Yakattack.us, 7 pages of product description of GearTrac retrieved from web site at: www.yakattack.us/by-product-name/geartrac/, Sep. 19, 2017.

(Continued)

Primary Examiner — Sandra S Snapp

Assistant Examiner — Ieisha N Price

(74) *Attorney, Agent, or Firm* — Lowe Graham Jones PLLC; Bruce E. Black

(57) **CLAIM**

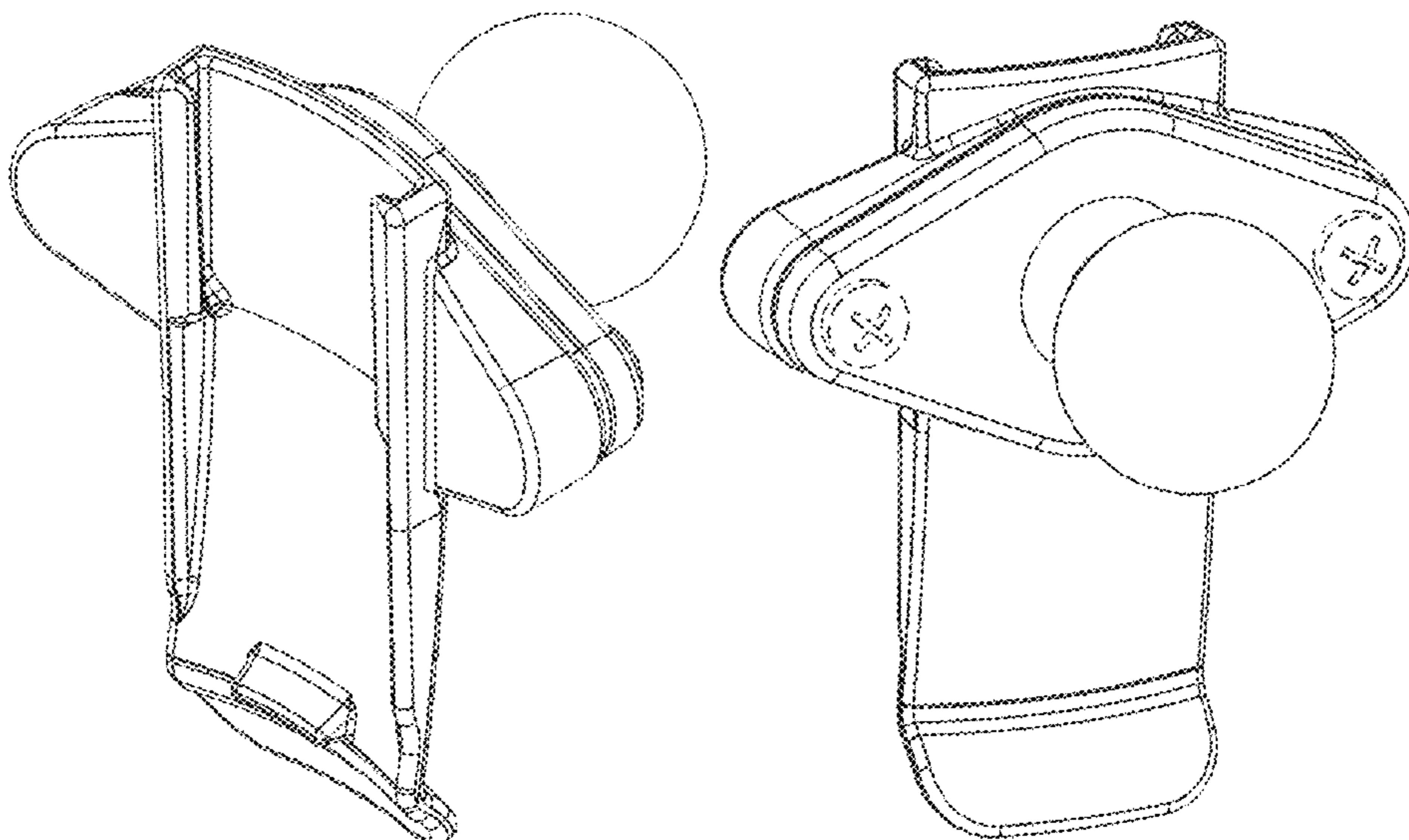
The ornamental design for a mounting device with ball, as shown and described.

DESCRIPTION

FIG. 1 is a front left perspective view showing a mounting device with ball, according to the invention; FIG. 2 is a front right perspective view showing the mounting device with ball of FIG. 1; FIG. 3 is a back right perspective view showing the mounting device with ball of FIG. 1; FIG. 4 is a back left perspective view showing the mounting device with ball of FIG. 1; FIG. 5 is a back elevational view showing the mounting device with ball of FIG. 1; and, FIG. 6 is a front elevational view showing the mounting device with ball of FIG. 1.

The broken line showing of the screw heads illustrates the environment of the claimed design and forms no part thereof.

1 Claim, 6 Drawing Sheets



(56)

References Cited

U.S. PATENT DOCUMENTS

D142,057 S	8/1945	Baxter	7,277,240 B2	10/2007	Carnevali	
2,560,556 A	7/1951	Creedon	7,320,450 B2	1/2008	Carnevali	
2,650,788 A	9/1953	Hulstein	D563,781 S	3/2008	Carnevali	
2,688,504 A	9/1954	Parker	D564,062 S	3/2008	Carnevali	
2,710,609 A	6/1955	Giller	7,337,934 B2	3/2008	Alling et al.	
2,723,823 A	11/1955	Polk	D571,278 S *	6/2008	Carnevali	D12/223
2,752,173 A	6/1956	Krooss	7,401,995 B2	7/2008	Senakiewich, II	
2,859,710 A	11/1958	Elsner	7,422,184 B2	9/2008	Carnevali	
2,861,501 A	11/1958	Strelakos	D588,903 S	3/2009	Carnevali	
3,096,061 A	7/1963	Bertell	D589,327 S	3/2009	Carnevali	
3,252,677 A	5/1966	Raymond	D590,696 S	4/2009	Carnevali	
3,304,038 A	2/1967	Guthrie	7,523,904 B2	4/2009	Carnevali	
3,605,637 A	9/1971	Prete, Jr.	7,551,458 B2	6/2009	Carnevali	
3,652,050 A	3/1972	Marrujo et al.	7,556,463 B1	7/2009	Hall	
3,779,502 A	12/1973	Marberg	7,571,522 B2	8/2009	Carnevali	
3,843,272 A	10/1974	Jorn	7,607,622 B2	10/2009	Carnevali	
4,060,241 A	11/1977	Hegel	7,682,543 B2	3/2010	Carnevali	
4,060,331 A	11/1977	Domer et al.	7,731,140 B2	6/2010	Carnevali	
4,066,231 A	1/1978	Bahner	7,774,973 B2	8/2010	Carnevali	
4,066,311 A	1/1978	Poulson	D629,080 S	12/2010	Dole et al.	
D247,420 S	3/1978	Reynolds	7,849,630 B2	12/2010	Carnevali	
4,085,684 A	4/1978	McLennan et al.	7,850,133 B2	12/2010	Carnevali	
4,183,387 A	1/1980	Lenz	7,854,204 B2	12/2010	Dacus	
4,205,486 A	6/1980	Guarnacci	RE42,060 E	1/2011	Carnevali	
4,222,680 A	9/1980	Browning	7,887,018 B2	2/2011	Carnevali	
4,225,258 A	9/1980	Thompson	7,950,701 B2	5/2011	Dole et al.	
4,307,864 A	12/1981	Benoit	7,954,773 B2	6/2011	Carnevali	
4,461,284 A	7/1984	Fackler	7,975,971 B2	7/2011	Carnevali	
4,491,435 A	1/1985	Meier	7,980,798 B1	7/2011	Kuehn et al.	
4,585,197 A	4/1986	Liautaud et al.	RE42,581 E	8/2011	Carnevali	
4,611,839 A	9/1986	Rung et al.	7,988,106 B2	8/2011	Carnevali	
4,620,813 A	11/1986	Lacher	8,020,828 B2	9/2011	Carnevali	
4,641,986 A	2/1987	Tsui et al.	8,037,904 B2	10/2011	Carnevali	
4,677,794 A	7/1987	Parron et al.	8,156,681 B2	4/2012	Carnevali	
4,688,843 A	8/1987	Hall	8,201,788 B2	6/2012	Carnevali	
4,796,508 A	1/1989	Hoshino	8,235,340 B2	8/2012	Carnevali	
4,800,795 A	1/1989	Yamashita	RE43,806 E	11/2012	Carnevali	
4,805,784 A	2/1989	Solheim et al.	8,322,955 B2	12/2012	Arnesen et al.	
4,842,308 A	6/1989	Spotts	8,408,853 B2	4/2013	Womack et al.	
4,872,630 A	10/1989	Cooper	8,454,178 B2	6/2013	Carnevali	
4,950,099 A	8/1990	Roellin	8,505,861 B2	8/2013	Carnevali	
5,071,279 A	12/1991	Rutstrom	8,534,519 B2	9/2013	Hancock et al.	
5,092,551 A	3/1992	Meier	8,590,855 B2	11/2013	Carnevali	
5,109,321 A	4/1992	Maglica et al.	8,651,289 B2	2/2014	Diaz, Jr. et al.	
5,118,058 A	6/1992	Richter	8,776,698 B2	7/2014	Pherson	
5,241,796 A	9/1993	Hellwig et al.	8,992,238 B2	3/2015	Chinn	
5,251,859 A	10/1993	Cyrell et al.	9,056,580 B2	6/2015	Baldsiefen et al.	
5,259,711 A	11/1993	Beck	9,180,925 B2	11/2015	Carnevali	
5,270,911 A	12/1993	Maglica et al.	9,253,970 B2	2/2016	Carnevali	
5,284,098 A	2/1994	Klapperich et al.	9,365,150 B2	6/2016	Baldsiefen et al.	
5,305,700 A	4/1994	Strong et al.	9,379,504 B2	6/2016	Chinn	
5,419,522 A	5/1995	Luecke et al.	9,596,926 B1 *	3/2017	Volmer	A45F 5/02
5,441,225 A	8/1995	Hall	9,623,787 B2	4/2017	Sterling	
5,564,668 A	10/1996	Crowe, II	9,671,060 B1	6/2017	Cifers	
5,628,597 A	5/1997	Chudoba et al.	9,785,204 B1 *	10/2017	Miller	G06F 1/1626
5,727,858 A	3/1998	Shapiro	9,828,073 B1	11/2017	Cifers, III	
5,823,724 A	10/1998	Lee	9,831,904 B1 *	11/2017	Carnevali	H04B 1/3877
5,845,885 A	12/1998	Carnevali	9,863,576 B1 *	1/2018	Cifers	F16M 13/02
6,173,926 B1	1/2001	Elvegaard	9,944,217 B2	4/2018	Schroeder et al.	
6,308,642 B1	10/2001	Branam et al.	D819,116 S *	5/2018	Paterson	D16/242
6,561,476 B2	5/2003	Carnevali	9,975,466 B2	5/2018	Hendren et al.	
6,581,892 B2	6/2003	Carnevali	9,987,993 B2	6/2018	Thorimbert	
6,588,722 B2	7/2003	Eguchi et al.	10,104,928 B2 *	10/2018	Volmer	A42B 1/24
6,666,420 B1	12/2003	Carnevali	D835,493 S *	12/2018	Chun	D8/354
6,688,568 B1	2/2004	Moufflet	D845,117 S *	4/2019	Stener	D8/380
6,695,183 B2	2/2004	Hancock et al.	D867,355 S *	11/2019	Chun	D14/253
6,789,988 B1	9/2004	Moradians	D872,166 S *	1/2020	Chun	D16/244
6,846,140 B2	1/2005	Anderson et al.	D876,204 S *	2/2020	Stener	D8/354
6,902,089 B2	6/2005	Carnevali	2002/0166936 A1 *	11/2002	Carnevali	F16M 11/14 248/288.31
6,945,414 B1	9/2005	Stevens et al.	2003/0042282 A1	3/2003	Gates et al.	
7,090,181 B2	8/2006	Biba et al.	2003/0110595 A1 *	6/2003	Collins	A45F 5/02 24/3.12
7,100,808 B2	9/2006	Hancock et al.	2003/0185008 A1	10/2003	Moreland	
7,159,998 B2	1/2007	Moreland	2004/0144904 A1 *	7/2004	Carnevali	B60N 3/101 248/278.1
D539,639 S	4/2007	Nagle	2004/0178309 A1	9/2004	Crowley et al.	
D551,058 S *	9/2007	Carnevali	2004/0188576 A1 *	9/2004	Carnevali	F16M 13/00 248/206.5

(56)

References Cited

U.S. PATENT DOCUMENTS

2005/0036848 A1 2/2005 Cunningham et al.
 2005/0092876 A1 5/2005 Carnevali
 2005/0132937 A1 6/2005 Branam
 2006/0000957 A1 1/2006 Carnevali
 2006/0102823 A1 5/2006 Carnevali
 2007/0040080 A1* 2/2007 Carnevali F16M 11/041
 248/205.1
 2008/0061197 A1* 3/2008 Carnevali F16M 11/14
 248/181.1
 2008/0115344 A1 5/2008 Carnevali
 2008/0296334 A1 12/2008 Carnevali
 2009/0014584 A1 1/2009 Ruddock et al.
 2009/0095206 A1 4/2009 Dacus
 2009/0108151 A1 4/2009 Carnevali
 2009/0108152 A1 4/2009 Carnevali
 2009/0140112 A1 6/2009 Carnevali
 2009/0241293 A1 10/2009 Swerdlick
 2010/0282802 A1 11/2010 Carnevali
 2010/0284199 A1 11/2010 Carnevali
 2010/0288843 A1 11/2010 Arnesen et al.
 2011/0095159 A1* 4/2011 Carnevali F16M 11/041
 248/372.1
 2011/0097177 A1 4/2011 Carnevali
 2011/0141595 A1* 6/2011 Carnevali B60R 1/04
 359/871
 2011/0265290 A1* 11/2011 Carnevali F16B 2/08
 24/326
 2012/0006948 A1 1/2012 Hiss et al.
 2012/0045276 A1* 2/2012 Carnevali F16B 7/20
 403/350

2012/0181409 A1 7/2012 Hayahara et al.
 2012/0217353 A1 8/2012 Hennon
 2012/0318937 A1 12/2012 Carnevali
 2013/0133158 A1 5/2013 Tran
 2014/0003878 A1 1/2014 Knox et al.
 2014/0034794 A1 2/2014 Carnevali
 2014/0226315 A1 8/2014 Nicieja et al.
 2014/0248103 A1 9/2014 Baldsiefen et al.
 2015/0030386 A1 1/2015 Carnevali
 2015/0275942 A1 10/2015 Carnevali
 2016/0288691 A1 10/2016 Aubrey et al.
 2017/0209318 A1 7/2017 Schroeder et al.
 2018/0345476 A1* 12/2018 Carnevali A47B 95/02
 2018/0347749 A1 12/2018 Carnevali
 2018/0363842 A1 12/2018 Carnevali
 2019/0014767 A1 1/2019 Carnevali
 2019/0017651 A1 1/2019 Carnevali
 2019/0316628 A1* 10/2019 Carnevali F16C 11/0685
 2020/0050086 A1* 2/2020 Thomson F16M 13/00

OTHER PUBLICATIONS

Yakattack.us, 4 pages of product description of GTTL retrieved from web site at: www.yakattack.us/geartrac/gttl/, Sep. 19, 2017.
 Yakattack.us, 6 pages of product description of GTSL90 retrieved from web site at: www.yakattack.us/by-product-name/geartrac/gtssl90/, Sep. 19, 2017.
 Yakattack.us, 5 pages of product description of GT90 retrieved from web site at: www.yakattack.us/geartrac/gt90/, Sep. 19, 2017.
 Yakattack.us, 4 pages of product description of GT175 retrieved from web site at: www.yakattack.us/geartrac/gt175/, Sep. 19, 2017.

* cited by examiner

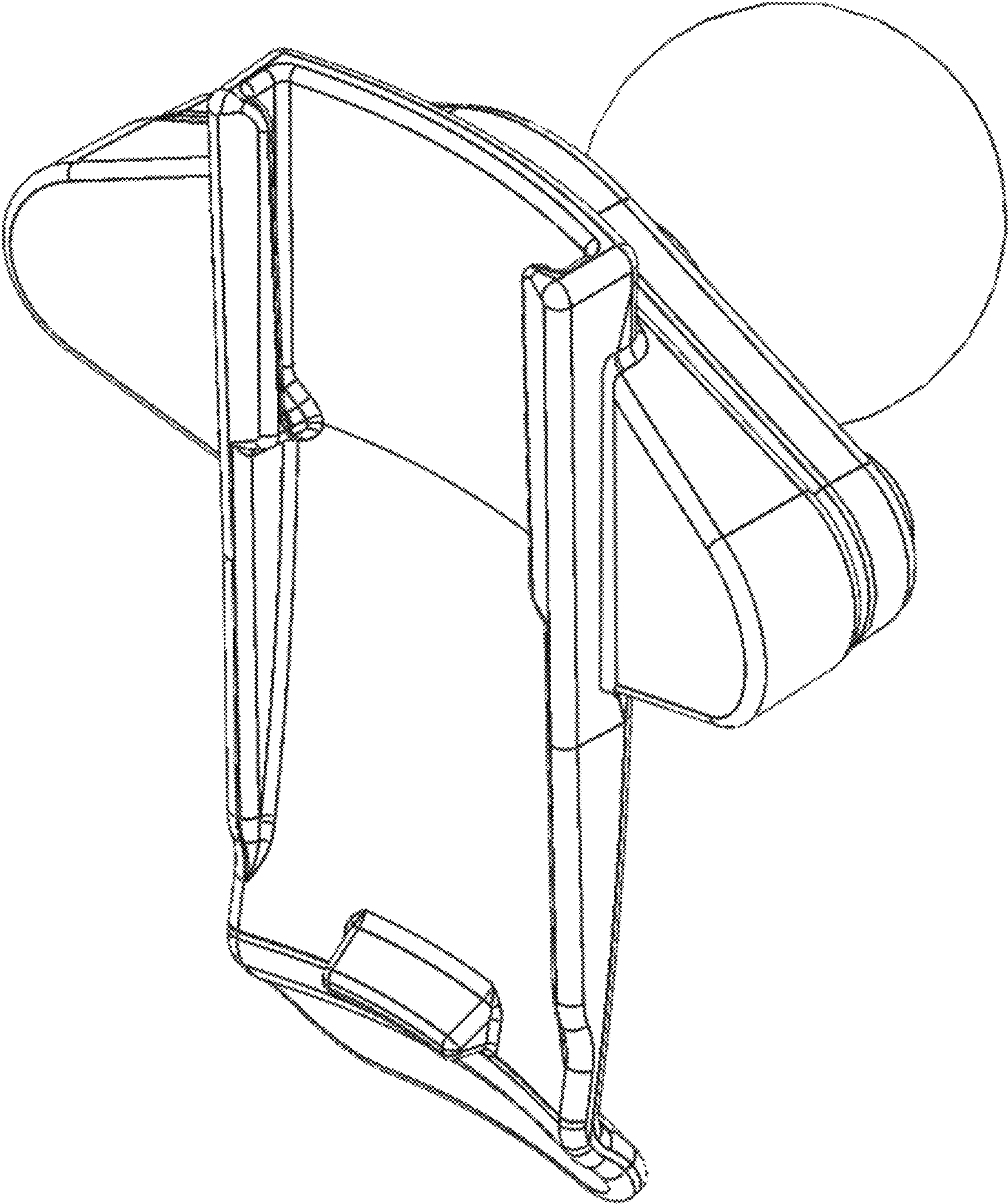


Fig. 1

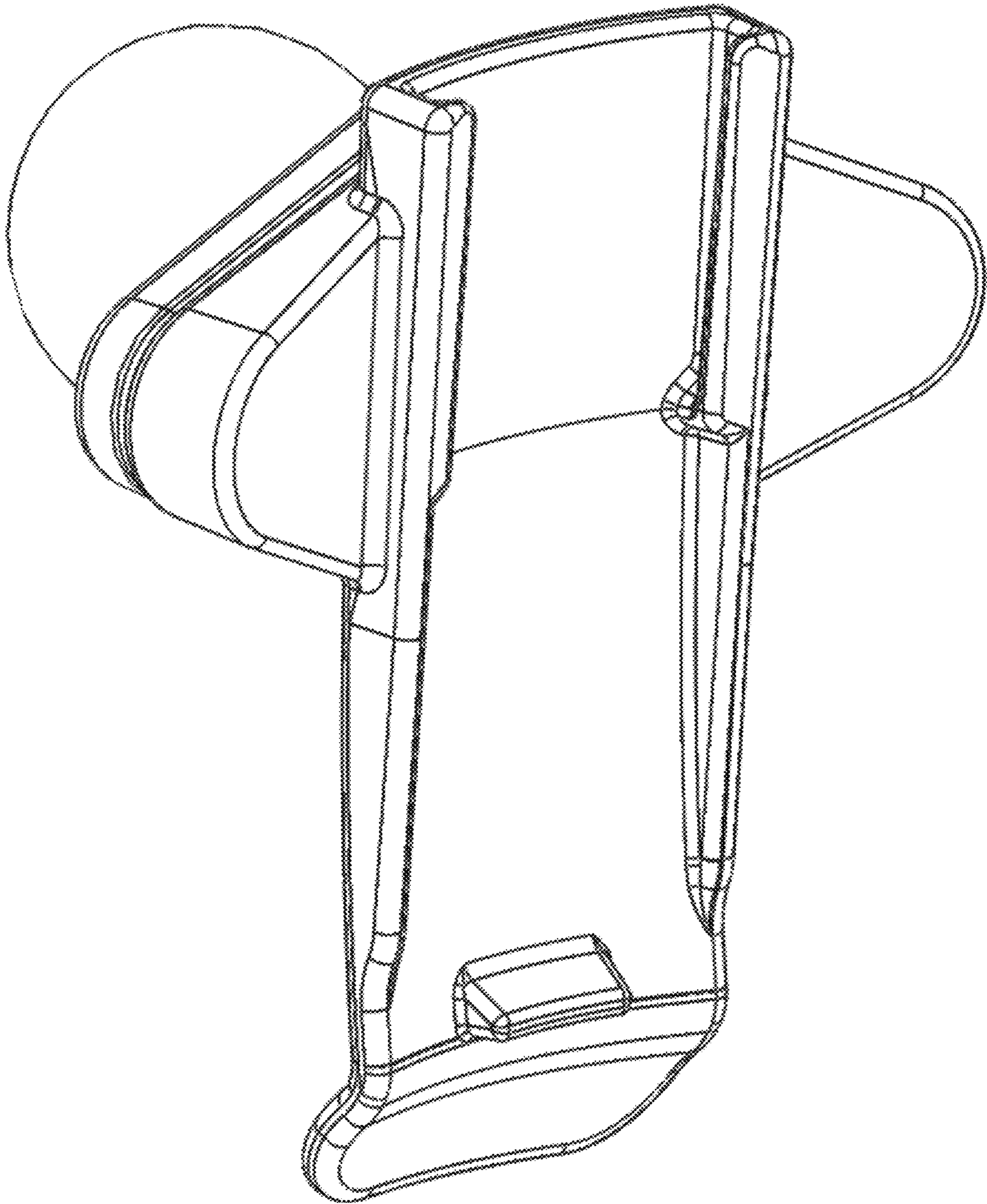


Fig. 2

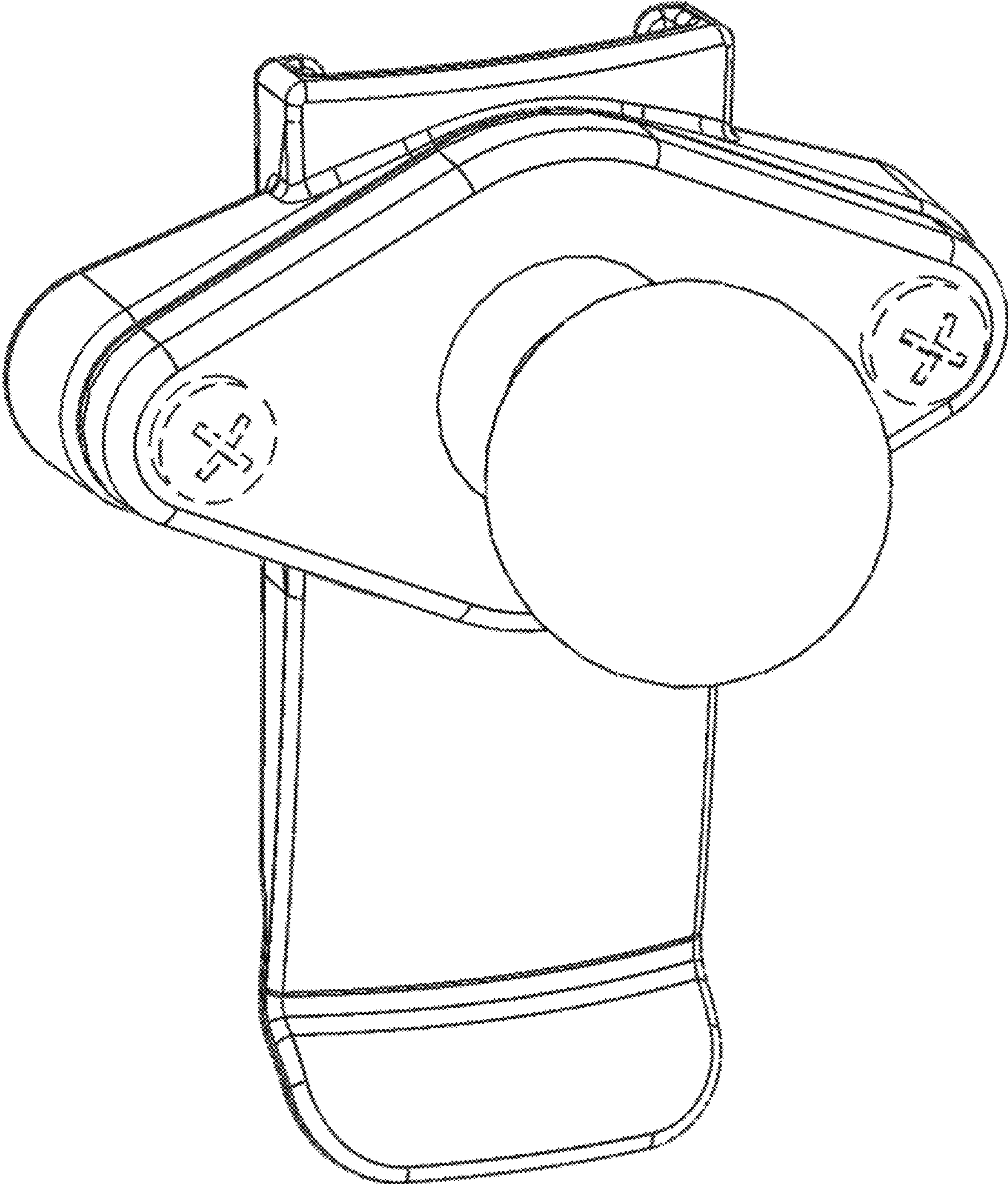


Fig. 3

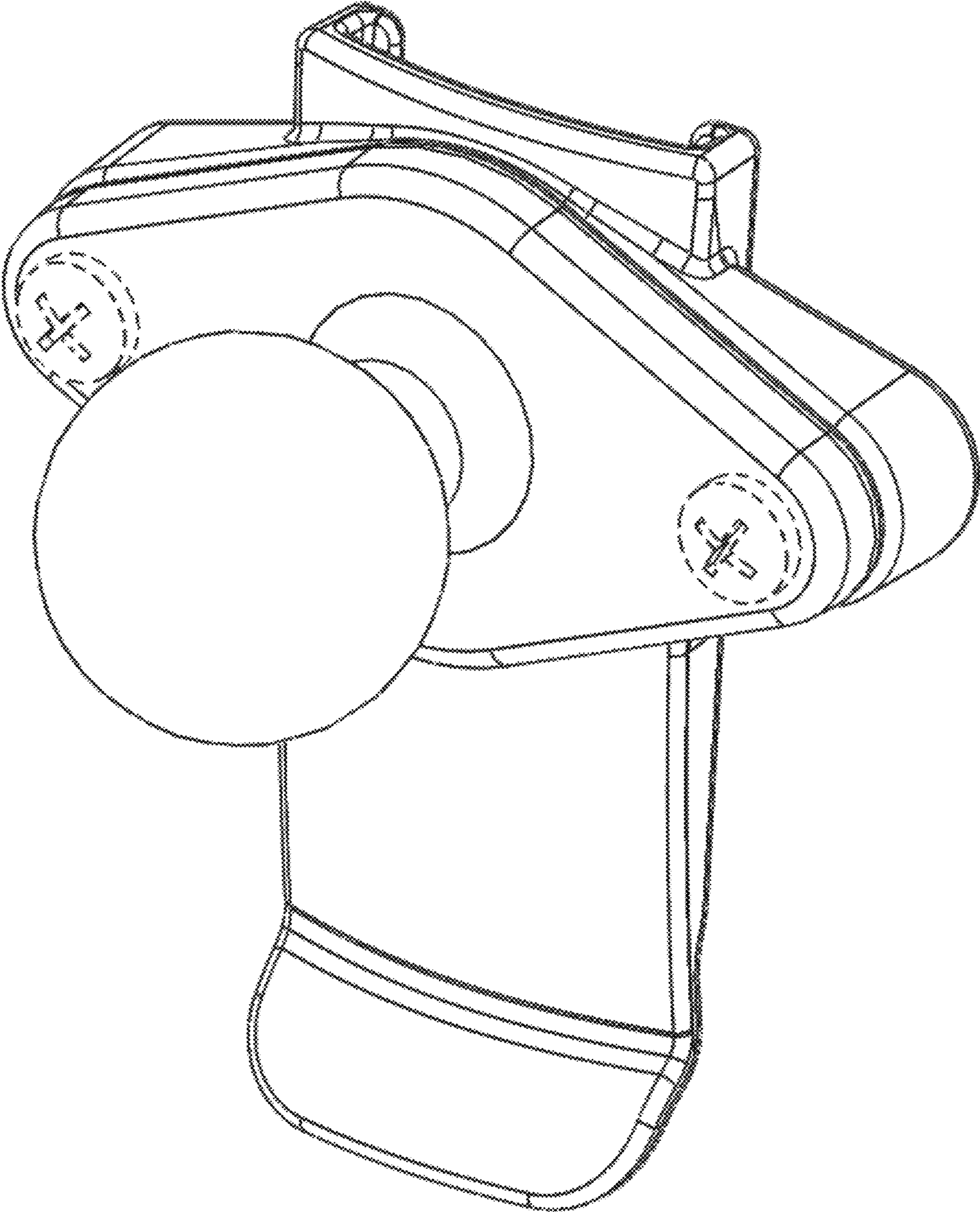


Fig. 4

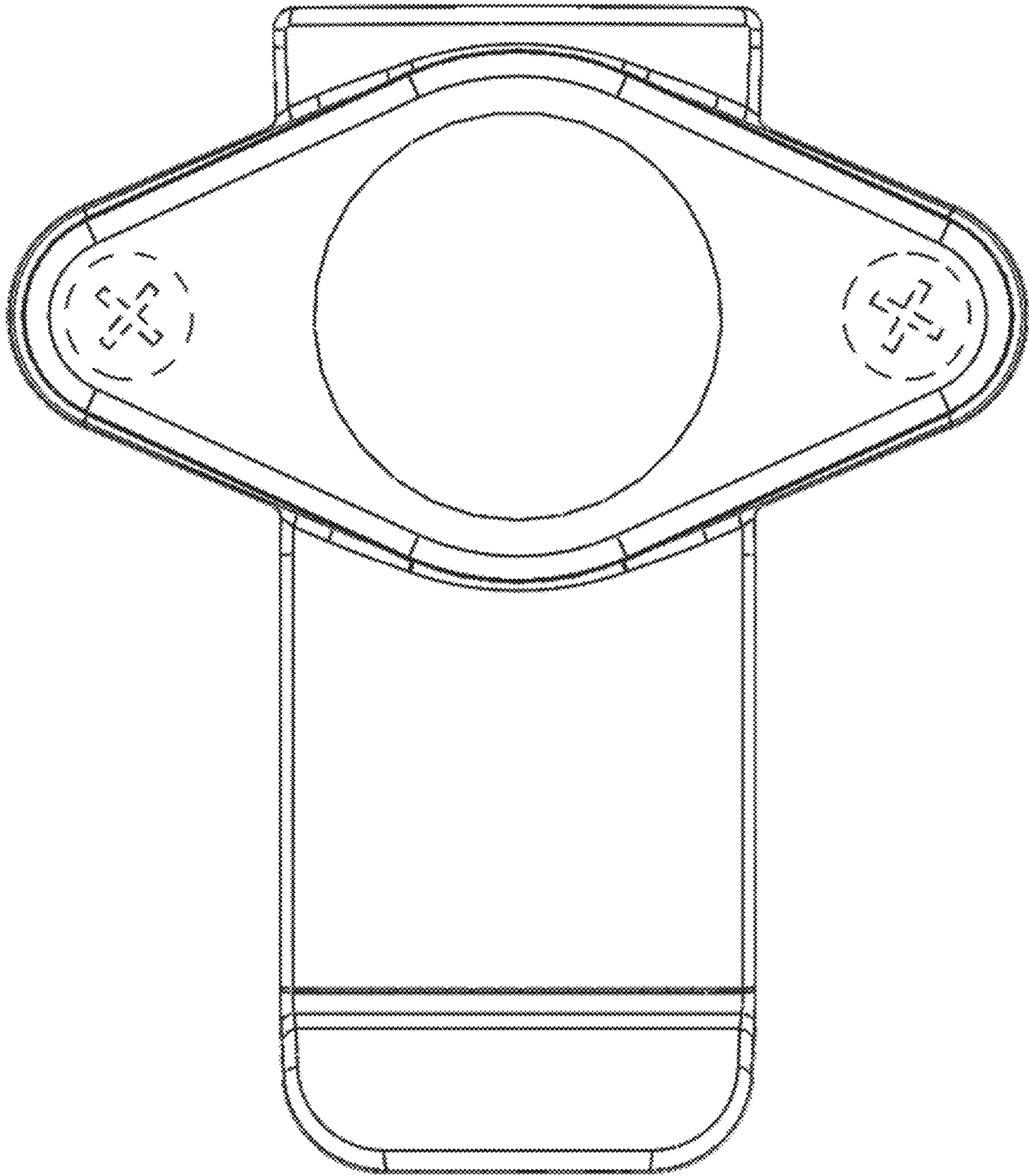


Fig. 5

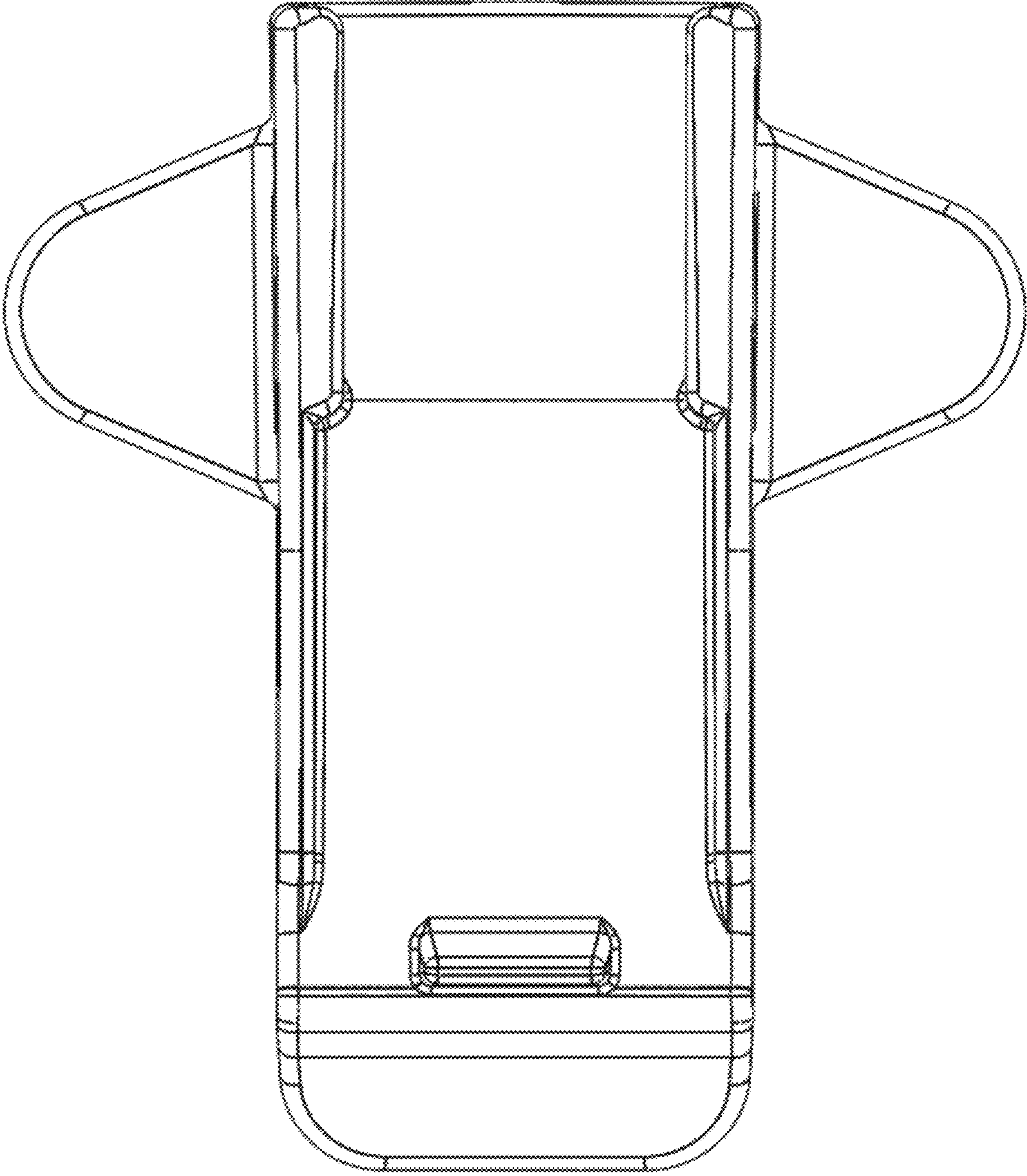


Fig. 6