



US00D891904S

(12) **United States Design Patent** (10) **Patent No.:** **US D891,904 S**
Naugler (45) **Date of Patent:** **** Aug. 4, 2020**

(54) **SECURING CLIP** D467,792 S * 12/2002 Zadak A47F 5/0823
D8/354
(71) Applicant: **HUBBELL INCORPORATED,** 6,513,772 B2 2/2003 Gary
Shelton, CT (US) 6,719,513 B1 4/2004 Moutousis
(72) Inventor: **Kurt Leslie Gray Naugler,** Bedford, D502,388 S * 3/2005 Cortez D8/356
NH (US) D556,546 S * 12/2007 Swanson D8/354
D567,638 S * 4/2008 Rieder D8/371
(Continued)

(73) Assignee: **Hubbell Incorporated,** Shelton, CT (US)

FOREIGN PATENT DOCUMENTS

(**) Term: **15 Years**

CN 106439237 2/2017
DE 10148216 A1 12/2002

(21) Appl. No.: **29/659,058**

OTHER PUBLICATIONS

(22) Filed: **Aug. 6, 2018**

Wiley clips advertisement, prior to Aug. 6, 2018.

(51) **LOC (12) Cl.** **08-08**

(52) **U.S. Cl.**
USPC **D8/349**

(58) **Field of Classification Search**
USPC D6/672, 684, 680, 683.1, 703.5; D8/349,
D8/354, 355, 330, 331, 333, 380, 382
CPC .. E04B 1/2604; E04B 2001/2644; F16B 7/18;
F16B 37/145; Y10T 403/4602; Y10T
403/4674; Y10T 403/3906
See application file for complete search history.

Primary Examiner — Michael C Stout
Assistant Examiner — Benjamin M Weeks
(74) *Attorney, Agent, or Firm* — Ohlandt, Greeley,
Ruggiero & Perle, LLP

(57) **CLAIM**

The ornamental design for a securing clip, as shown and described.

(56) **References Cited**

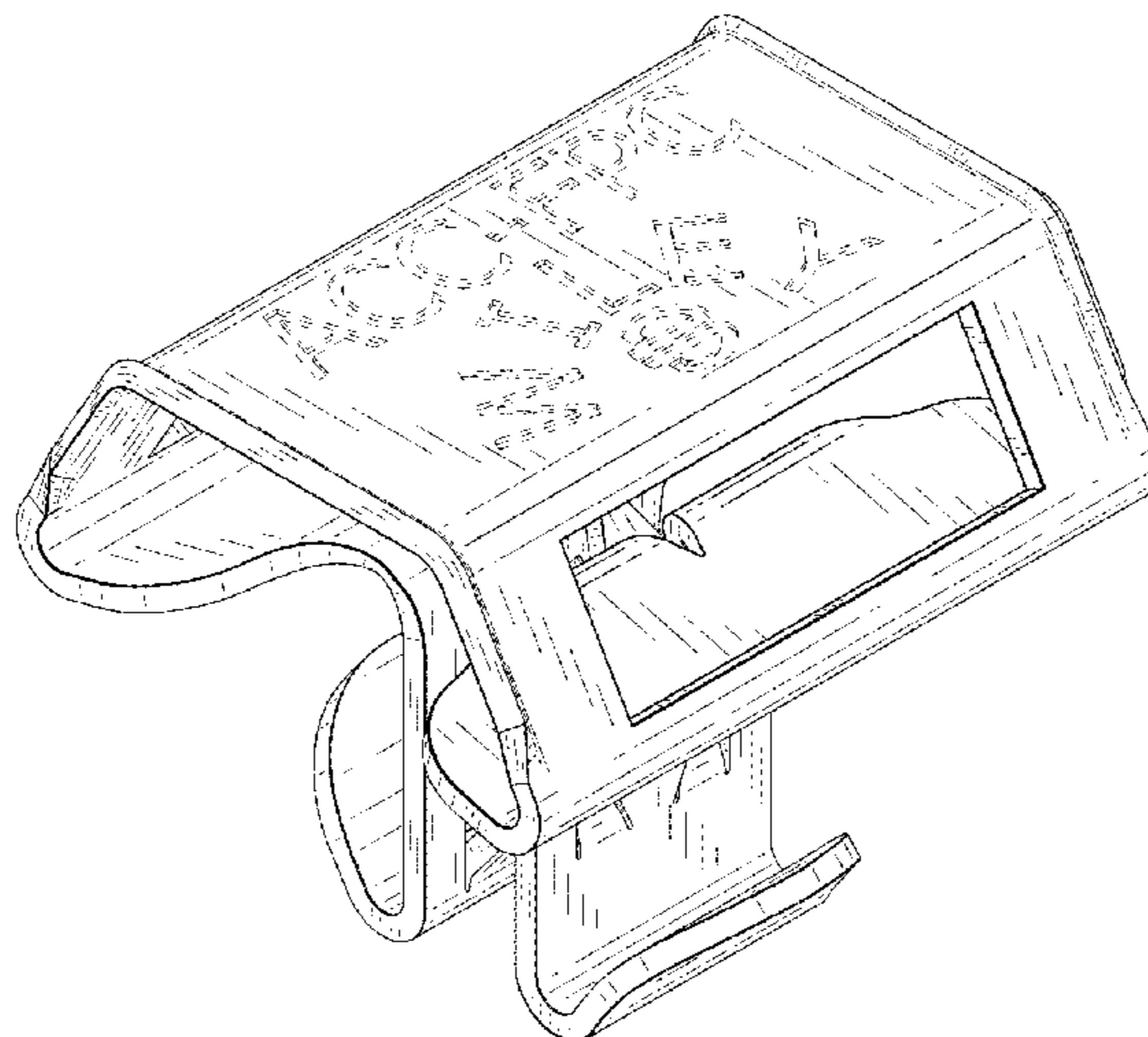
U.S. PATENT DOCUMENTS

2,499,637 A 3/1950 Flora
3,444,596 A 5/1969 Soltysik
3,588,962 A 6/1971 Feldberg
4,303,217 A * 12/1981 Garfinkle A47F 5/0823
248/220.42
4,304,382 A * 12/1981 Jelen B25H 3/04
211/89.01
4,572,466 A 2/1986 Yamaguchi
4,619,428 A * 10/1986 Bailey A47F 5/0823
248/220.43
5,368,261 A 11/1994 Caveney
5,759,004 A 6/1998 Kuffel
6,189,847 B1 * 2/2001 Hart A47B 55/02
248/220.31
6,273,656 B1 8/2001 Cleland
6,276,644 B1 8/2001 Jennings

DESCRIPTION

FIG. 1 is a top perspective view of a securing clip according to the present application;
FIG. 2 is a first view of the securing clip of FIG. 1;
FIG. 3 is a second, opposite view of the securing clip of FIG. 1;
FIG. 4 is a top view of the securing clip of FIG. 1;
FIG. 5 is a bottom view of the securing clip of FIG. 1;
FIG. 6 is a front view of the securing clip of FIG. 1; and,
FIG. 7 is a rear view of the securing clip of FIG. 1.
The broken lines in the figures depict portions of the securing clip that are not part of the claimed design.

1 Claim, 7 Drawing Sheets



(56)

References Cited

U.S. PATENT DOCUMENTS

D613,150	S *	4/2010	Rieder	D8/356
7,717,387	B2	5/2010	Naheen	
D632,158	S *	2/2011	Yang	D13/118
D698,287	S *	1/2014	Terpsma	D12/162
D741,146	S *	10/2015	Delrue	D14/447
D758,174	S *	6/2016	Lee	D8/382
9,434,323	B2	9/2016	Huchet	
D782,292	S *	3/2017	Wessel	D8/382
D824,430	S *	7/2018	Sivinski	D15/28
D840,282	S *	2/2019	Coste	D12/162
D850,887	S *	6/2019	Solow	D8/349
D874,250	S *	2/2020	Stoops	D8/355
D876,210	S *	2/2020	Arnall	D8/380
D877,595	S *	3/2020	Harrison	D8/331
D878,184	S *	3/2020	Holloway	D8/354
D878,904	S *	3/2020	Holloway	D8/354
D879,216	S *	3/2020	Dunahay	D21/686
2002/0005463	A1	1/2002	Paske et al.	
2003/0088948	A1	5/2003	Cook	
2006/0239796	A1	10/2006	Franks	
2007/0027807	A1	2/2007	Bronstein	
2007/0264169	A1	11/2007	Chen	
2009/0294602	A1	12/2009	Korczak	
2011/0163562	A1	7/2011	Smith	
2012/0217365	A1	8/2012	Konda	
2013/0099070	A1	4/2013	Chirpich et al.	
2013/0255123	A1	10/2013	Boyer	
2014/0131528	A1	5/2014	Blakeley et al.	
2015/0097089	A1	4/2015	Taylor	
2016/0121822	A1	5/2016	Shaw	
2016/0281881	A1	9/2016	Vaccaro et al.	
2017/0159849	A1	6/2017	Beyer	
2018/0135778	A1	5/2018	Vaccaro et al.	

* cited by examiner

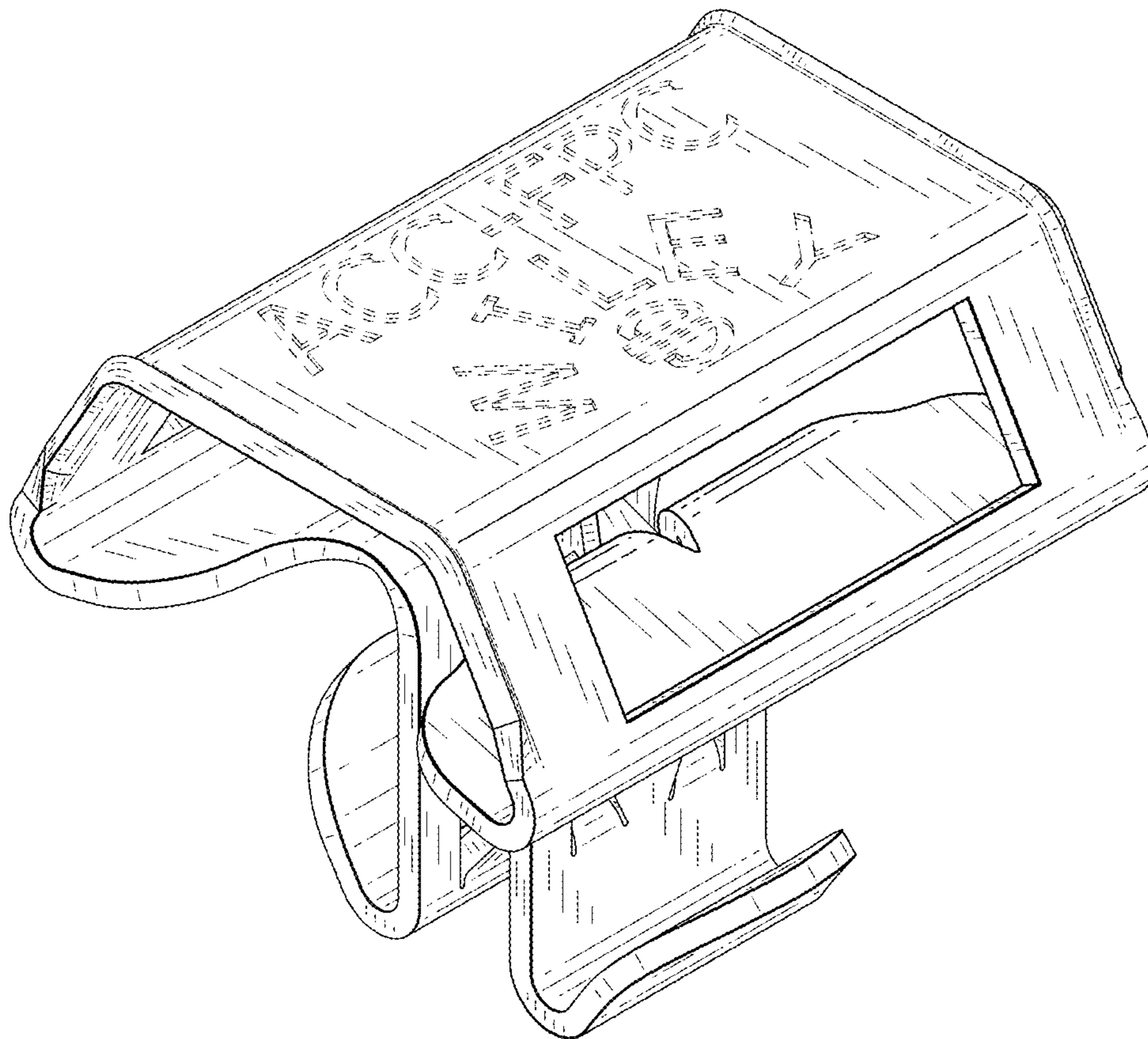


FIG. 1

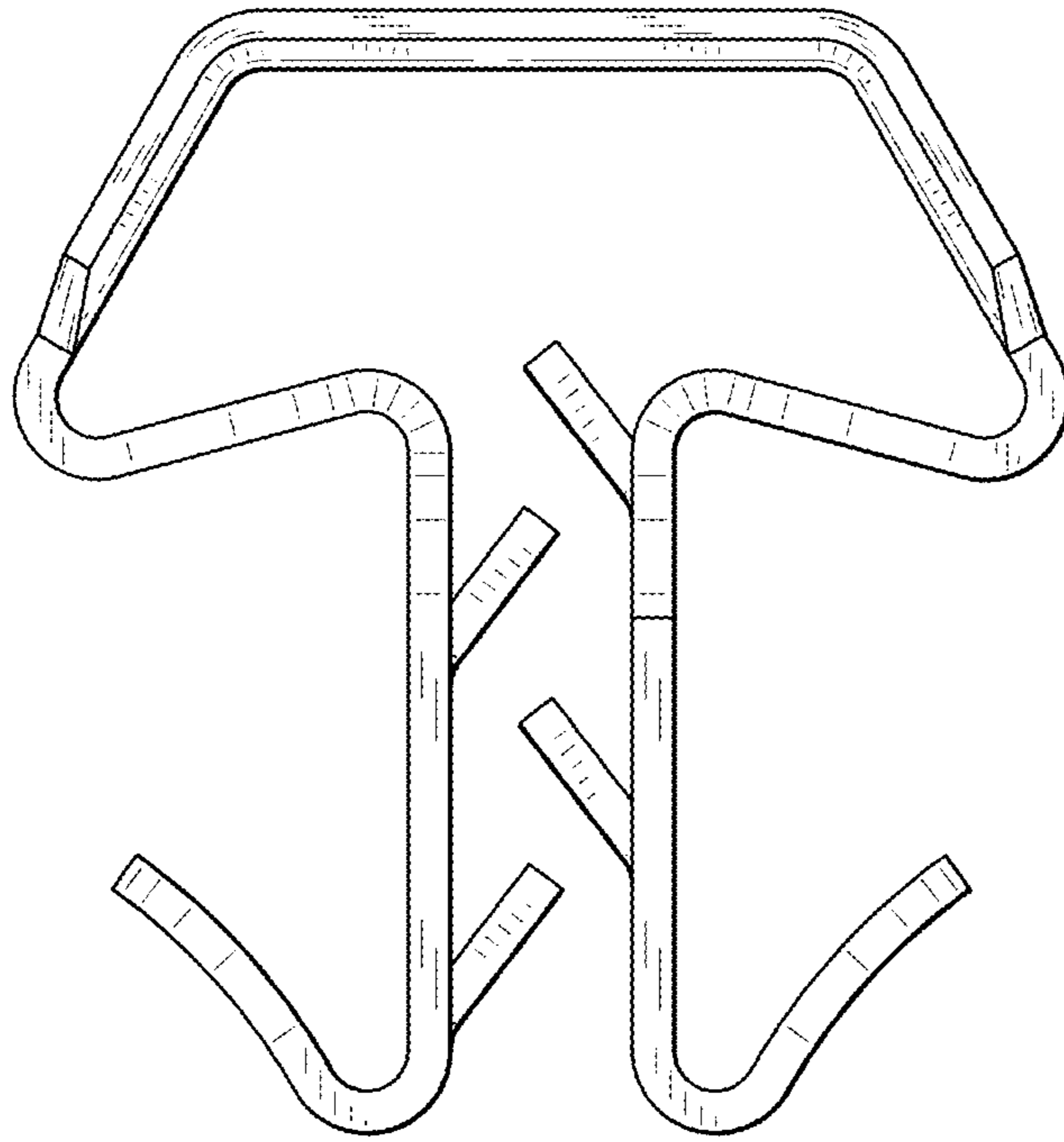


FIG. 2

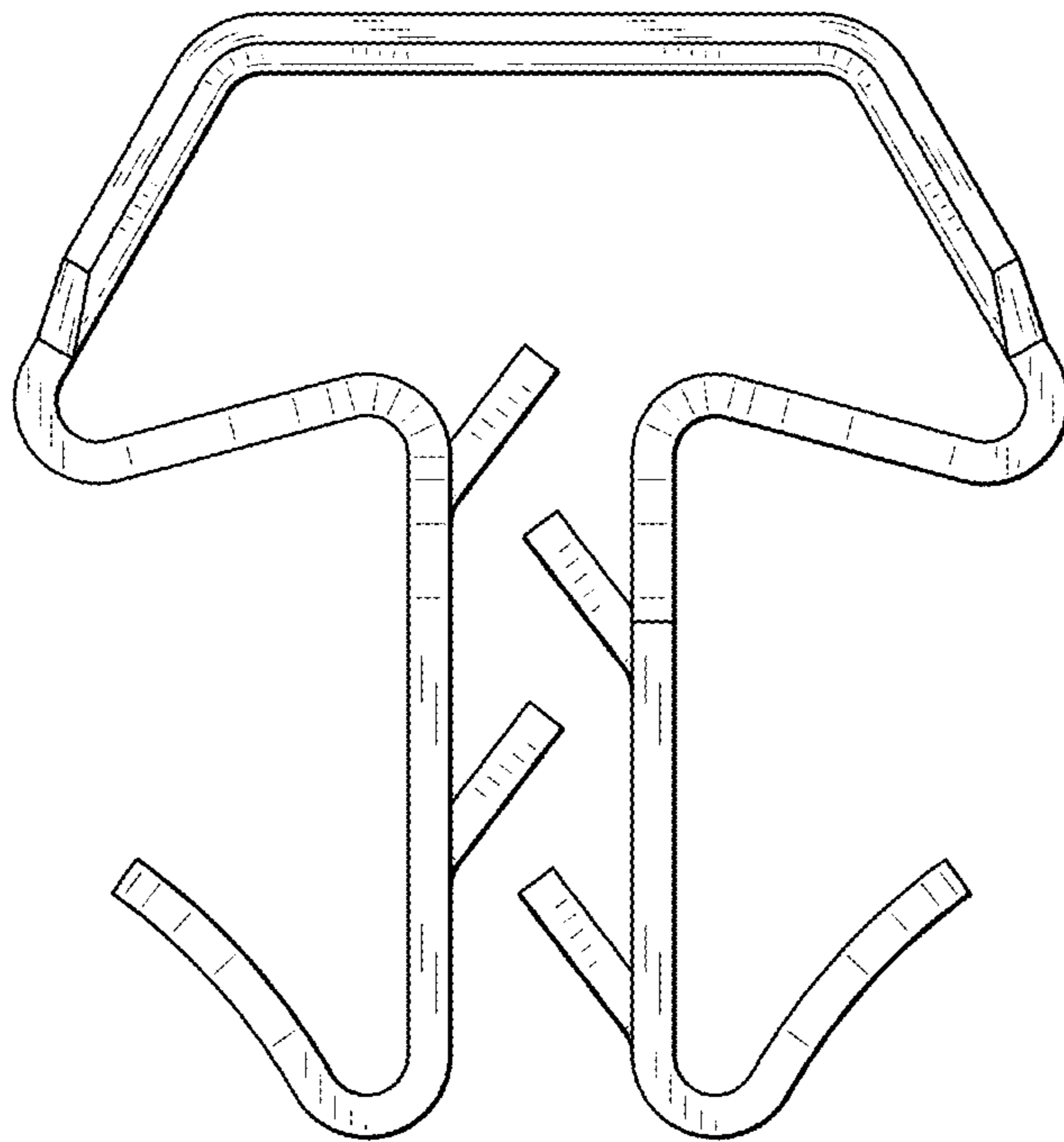


FIG. 3

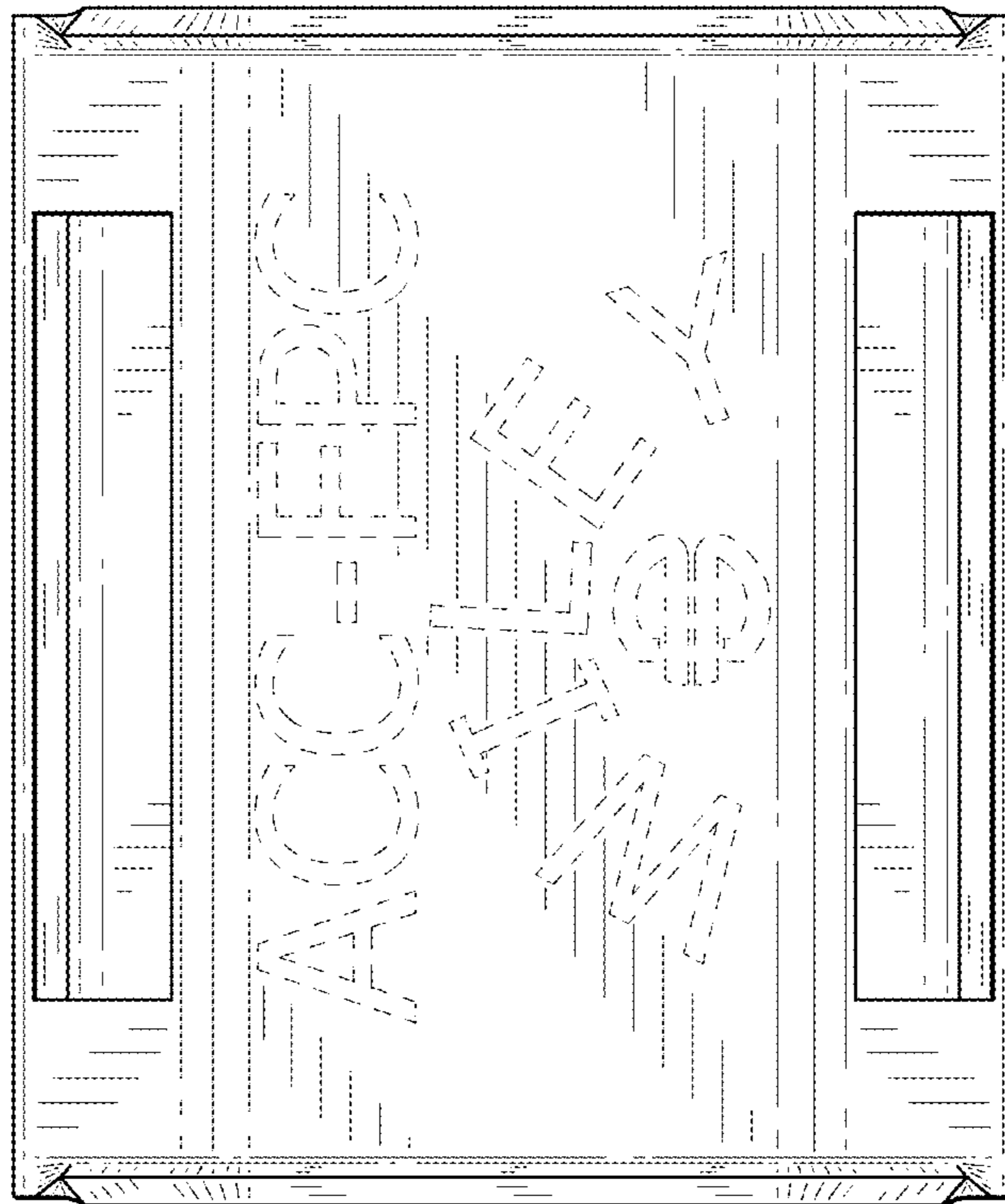


FIG. 4

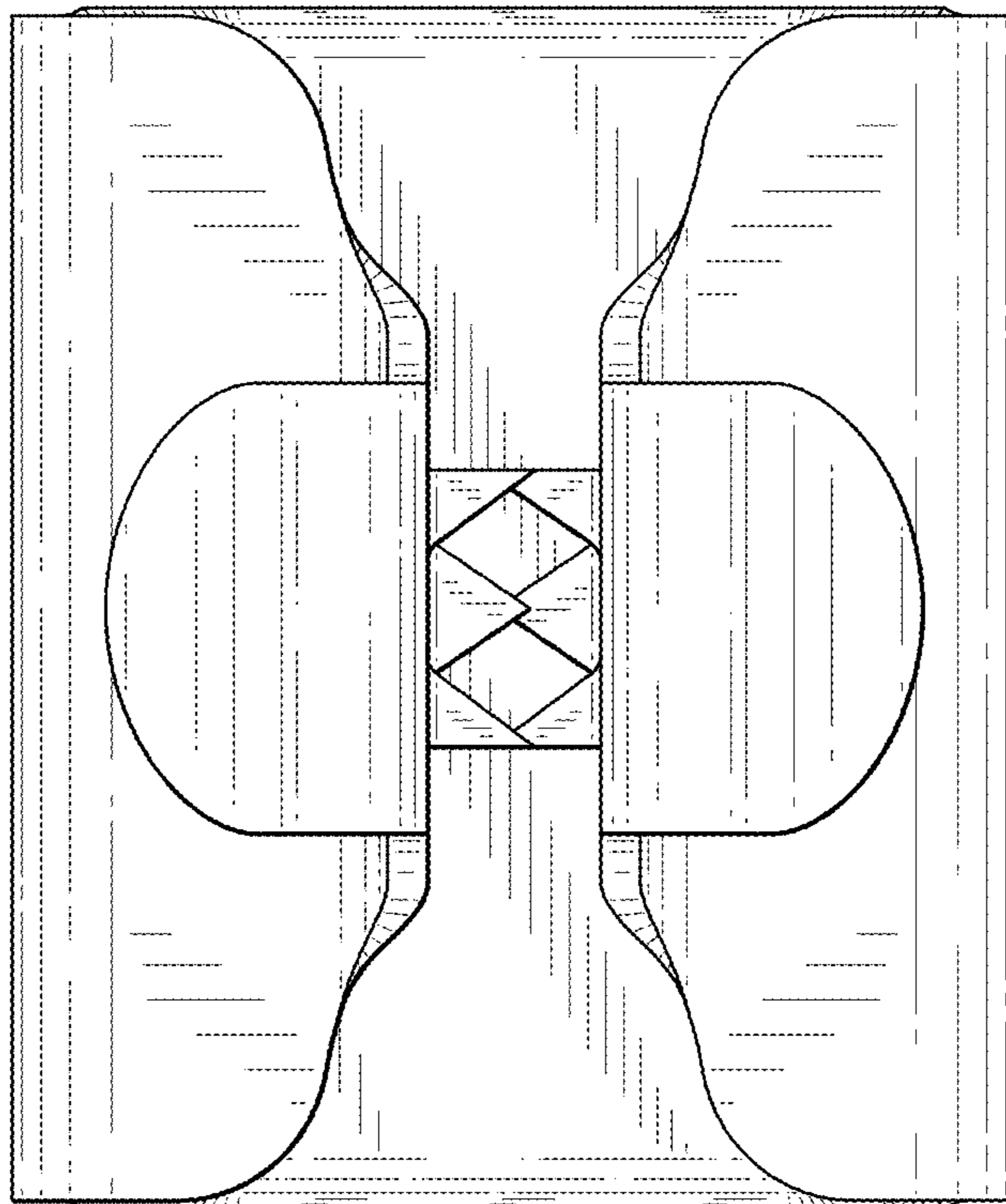


FIG. 5

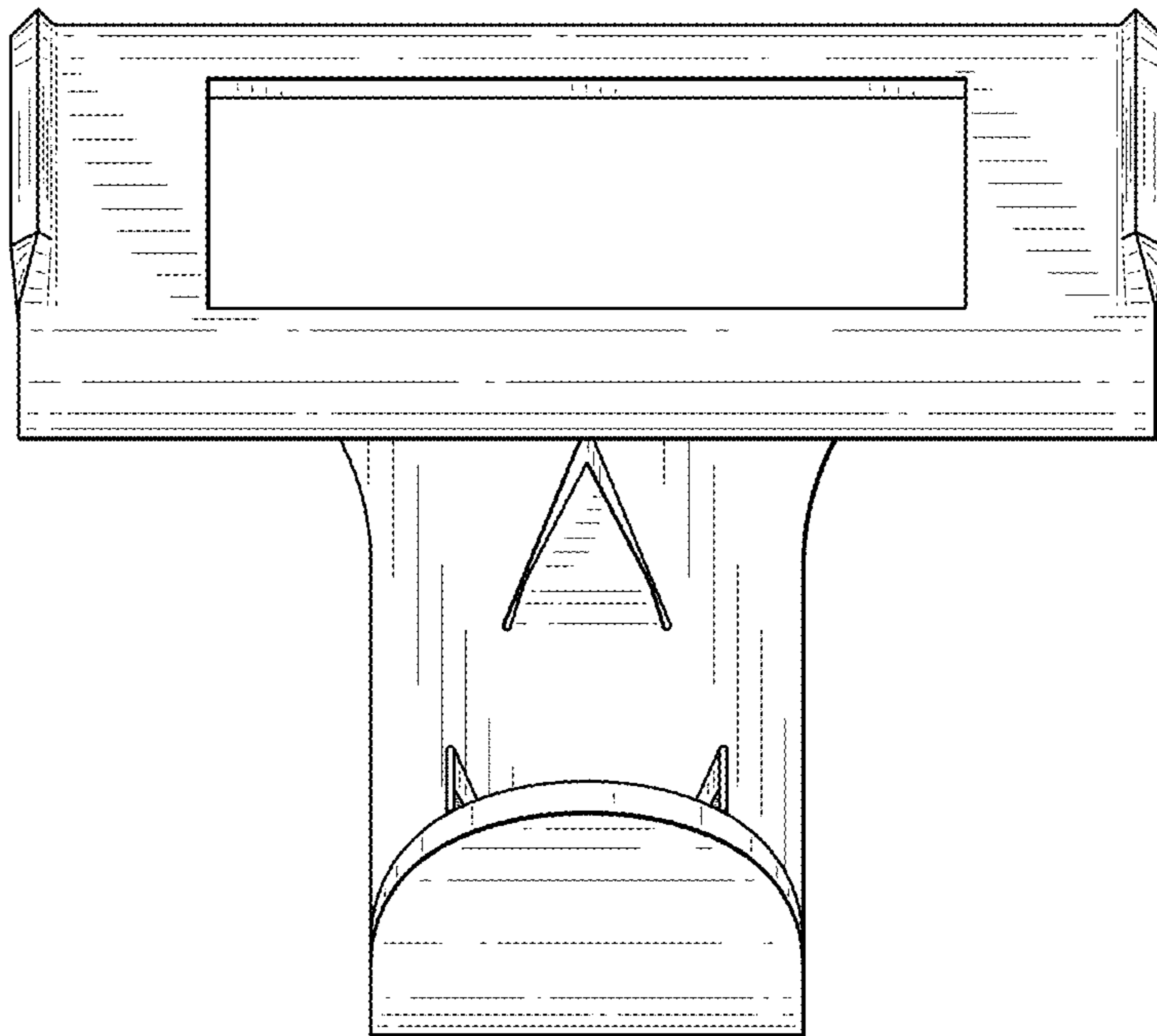


FIG. 6

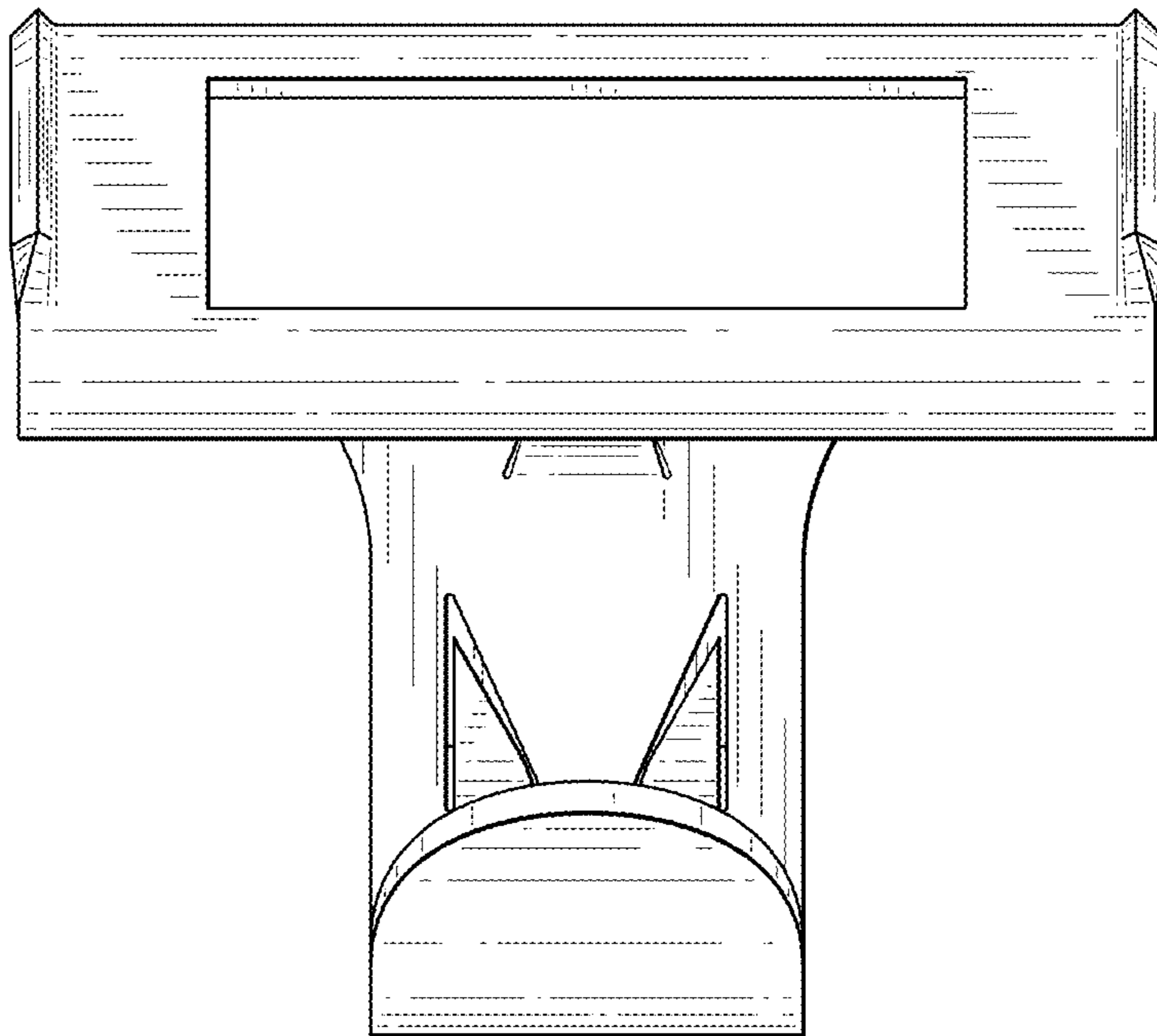


FIG. 7