



US00D891903S

(12) **United States Design Patent** (10) **Patent No.:** **US D891,903 S**
Cotton et al. (45) **Date of Patent:** **** Aug. 4, 2020**

(54) **TUBE SECUREMENT DEVICE**
(71) Applicant: **3M INNOVATIVE PROPERTIES COMPANY**, Saint Paul, MN (US)
(72) Inventors: **Jeffrey D. Cotton**, Saint Paul, MN (US); **Amanda C. Engler**, Woodbury, MN (US); **Kimberly Schommer**, Hudson, WI (US); **James M. Sieracki**, Plymouth, MN (US); **Michael Turnbull**, Woodbury, MN (US); **Denise Ziemann**, Fridley, MN (US)

D409,522 S * 5/1999 Satterfield D11/200
6,317,925 B1 * 11/2001 Pietryga E05D 3/127
16/250
6,579,587 B2 * 6/2003 Schnoebelen, Jr. B32B 1/04
428/40.1
D491,046 S * 6/2004 Johnson D8/356
D565,401 S * 4/2008 Grady D8/394
D599,196 S * 9/2009 Ruffin D8/356
7,624,480 B2 * 12/2009 Coronel A61M 25/02
128/DIG. 15
7,638,015 B2 * 12/2009 Schnoebelen, Jr. B32B 1/04
156/714

(Continued)

(73) Assignee: **3M Innovative Properties Company**, Saint Paul, MN (US)

FOREIGN PATENT DOCUMENTS

CN 100500243 8/2007
CN 205698801 11/2016

(Continued)

(**) Term: **15 Years**

Primary Examiner — Cynthia R Underwood
(74) *Attorney, Agent, or Firm* — 3M Innovation Properties Company; Trisha D. Adamson

(21) Appl. No.: **29/683,465**

(22) Filed: **Mar. 13, 2019**

(51) **LOC (12) Cl.** **09-06**

(52) **U.S. Cl.**
USPC **D8/323**; D8/356

(58) **Field of Classification Search**
USPC D8/356, 354, 349, 367, 323; 361/826
CPC A63B 29/00; A63B 27/00; A63B 59/02;
A63B 21/045; H05K 5/0247
See application file for complete search history.

(57) **CLAIM**

The ornamental design for a tube securement device, as shown and described.

DESCRIPTION

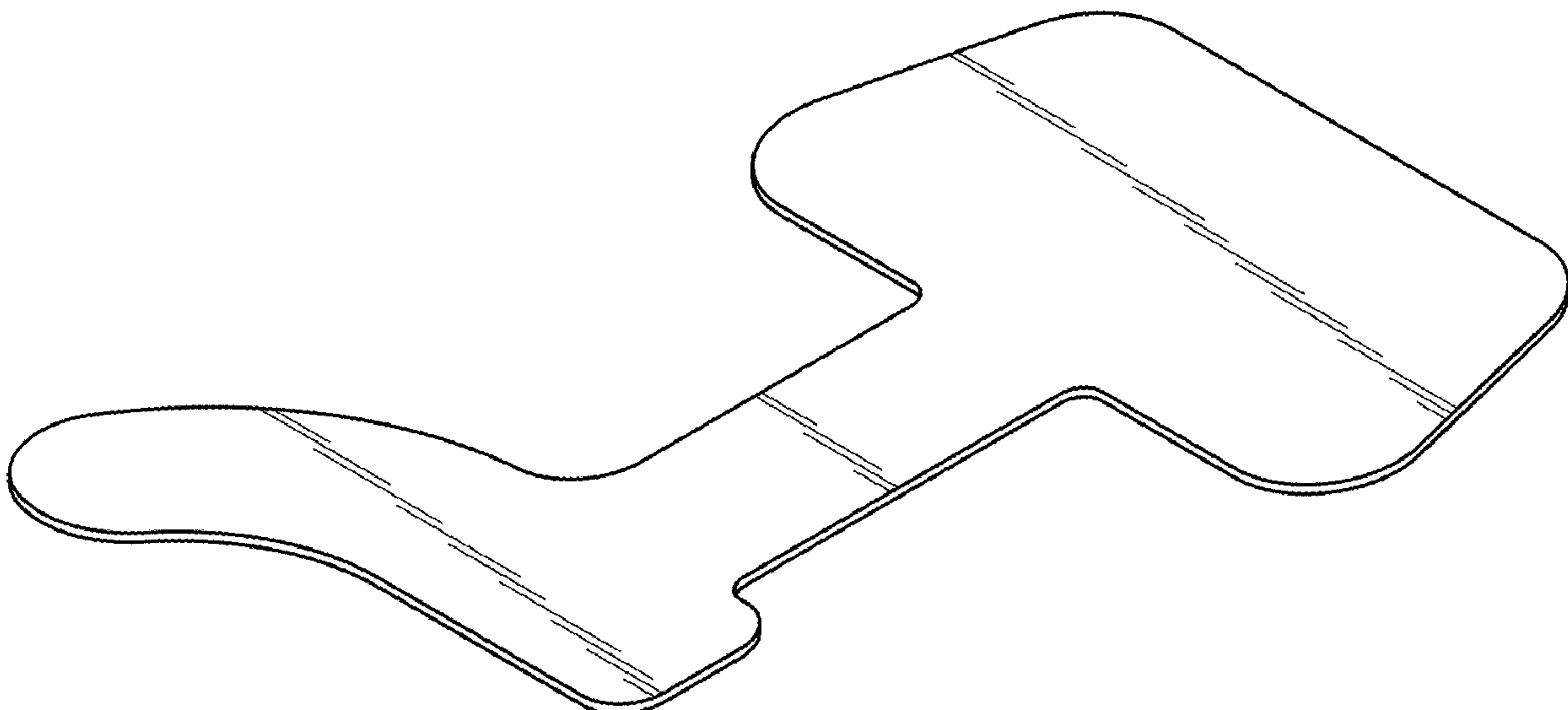
FIG. 1 is a perspective view showing the new design for a tube securement device;
FIG. 2 is a front view thereof;
FIG. 3 is a back view thereof, wherein the stippling shown indicates adhesive;
FIG. 4 is a right side view thereof;
FIG. 5 is a left side view thereof;
FIG. 6 is a top view thereof; and,
FIG. 7 is a bottom view thereof.
The surface shading illustrated in the drawings is provided merely to highlight the contour of design; it is not intended to be illustrative of texture or gloss.

(56) **References Cited**

U.S. PATENT DOCUMENTS

2,050,045 A * 8/1936 Eden, Jr. B21K 13/02
16/250
D246,346 S * 11/1977 Strunk D8/354
D291,406 S * 8/1987 McNeese D8/323
5,056,191 A * 10/1991 Love B05B 12/24
16/251
5,113,921 A * 5/1992 Pool B05B 12/24
156/71
D361,021 S * 8/1995 Harper D8/14

1 Claim, 2 Drawing Sheets



(56)

References Cited

U.S. PATENT DOCUMENTS

| | | | | | |
|--------------|------|---------|----------------|-------|---------------|
| D630,328 | S * | 1/2011 | Fishburne, Jr. | | D24/152 |
| 8,203,077 | B2 * | 6/2012 | Honeycutt | | H02G 3/32 |
| | | | | | 174/135 |
| D666,722 | S * | 9/2012 | Dragan | | D24/152 |
| 8,978,205 | B2 * | 3/2015 | Kim | | E05D 11/0054 |
| | | | | | 16/251 |
| D756,073 | S * | 5/2016 | Mahoney | | D2/877 |
| 9,340,341 | B2 * | 5/2016 | Farrell | | B65D 63/14 |
| 9,601,880 | B2 * | 3/2017 | Rynaski | | H01R 13/72 |
| D813,016 | S * | 3/2018 | Deneau | | D8/356 |
| 10,104,790 | B2 * | 10/2018 | Lee | | E05D 11/0054 |
| 10,120,421 | B1 * | 11/2018 | Hong | | G06F 1/1681 |
| D861,456 | S * | 10/2019 | Sandoval | | D8/323 |
| 2001/0013277 | A1 * | 8/2001 | Galkiewicz | | A44B 18/0053 |
| | | | | | 100/2 |
| 2005/0161249 | A1 * | 7/2005 | McBain | | H01R 13/443 |
| | | | | | 174/135 |
| 2006/0032032 | A1 * | 2/2006 | Cheng | | F16L 3/23 |
| | | | | | 24/306 |
| 2010/0304324 | A1 * | 12/2010 | Dragan | | A61B 1/247 |
| | | | | | 433/31 |
| 2017/0246632 | A1 * | 8/2017 | Slepian | | B01L 3/502746 |

FOREIGN PATENT DOCUMENTS

| | | |
|----|----------------|---------|
| KR | 200416835 | 5/2006 |
| KR | 100858334 | 9/2007 |
| WO | WO 1997-24222 | 10/1997 |
| WO | WO 2017-034907 | 3/2017 |
| WO | WO 2017-034909 | 3/2017 |
| WO | WO 2017-034911 | 3/2017 |
| WO | WO 2017034912 | 3/2017 |

* cited by examiner

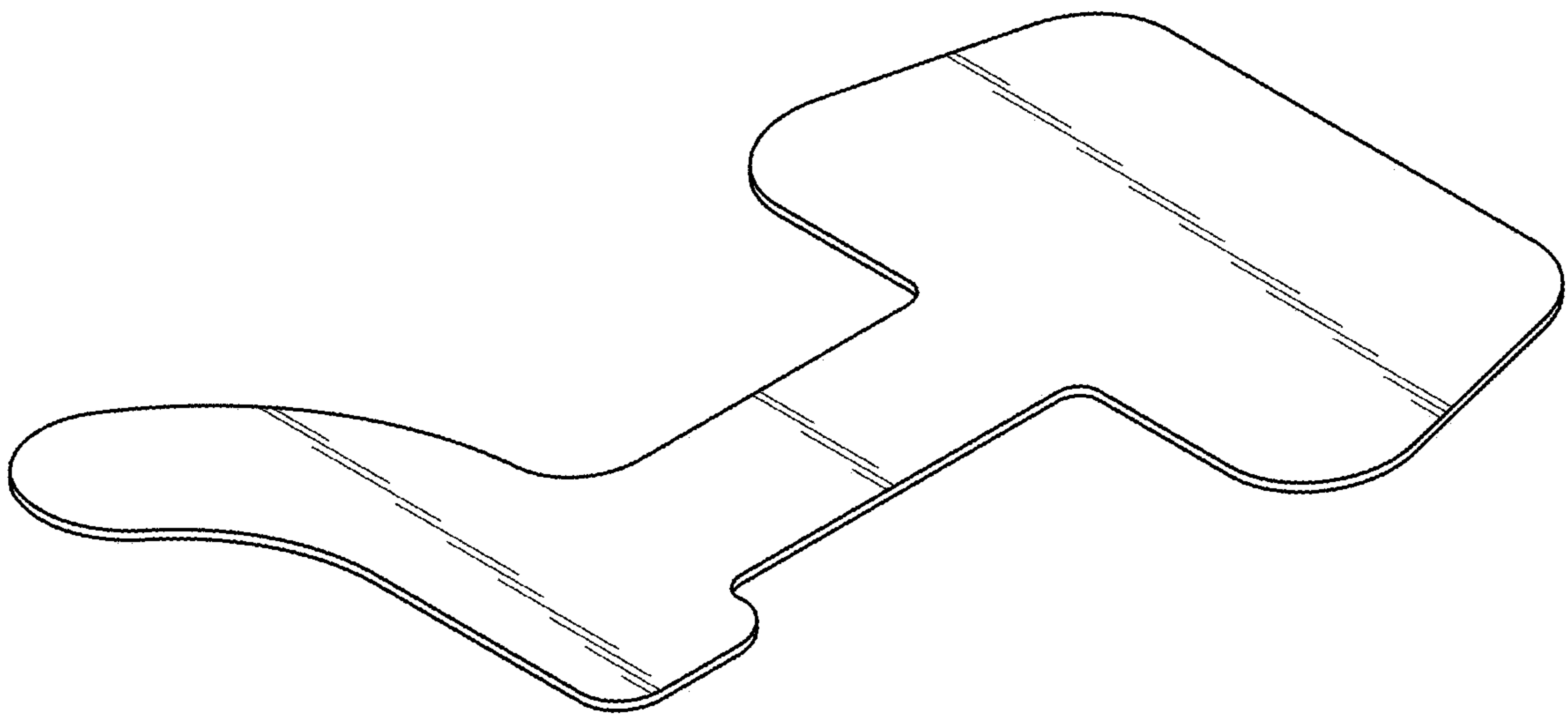


Fig. 1

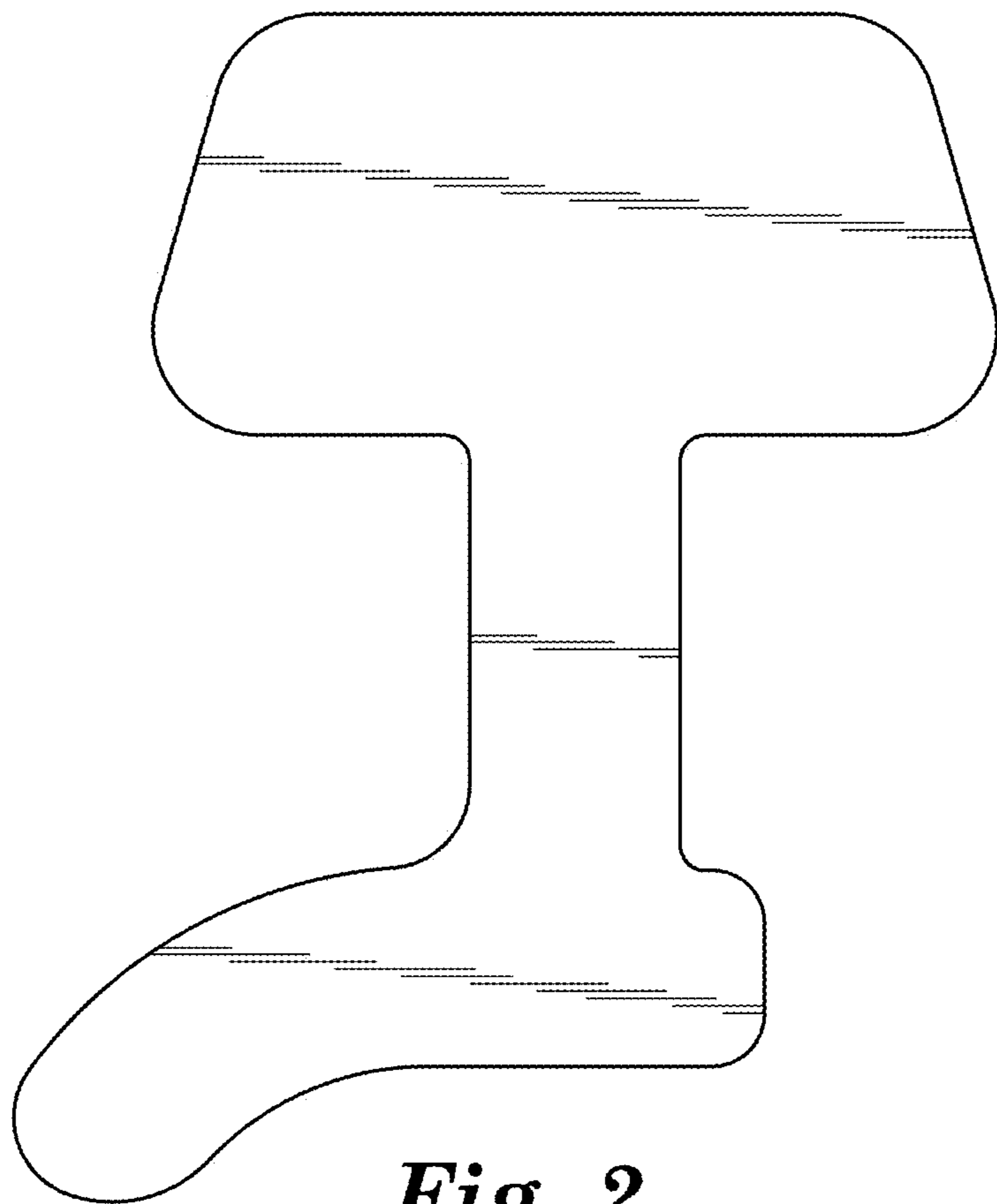


Fig. 2

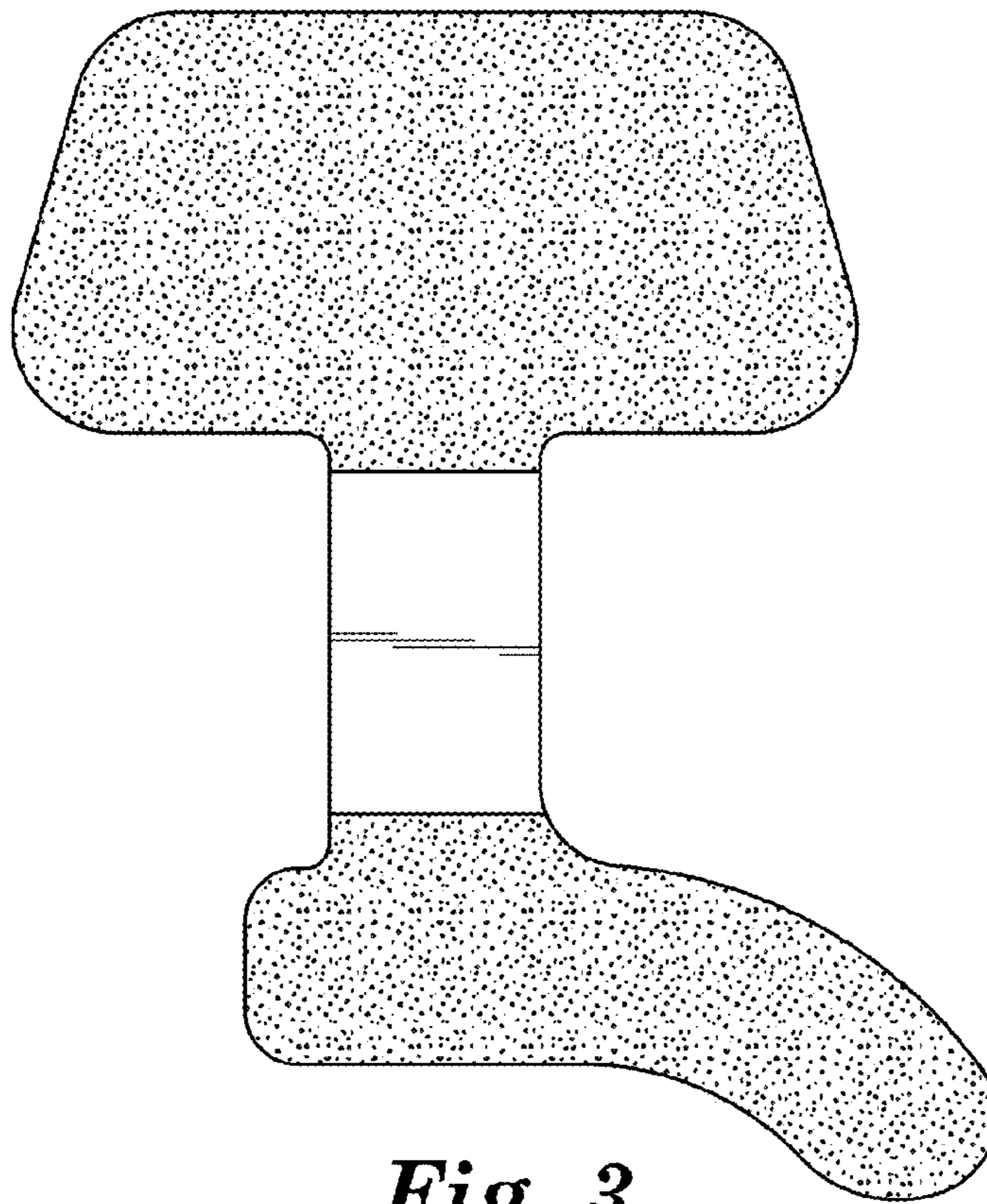


Fig. 3



Fig. 4



Fig. 5

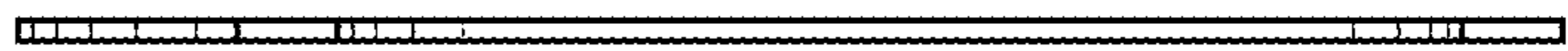


Fig. 6

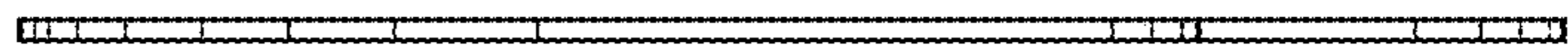


Fig. 7