



US00D891902S

(12) **United States Design Patent**  
**He**

(10) **Patent No.:** **US D891,902 S**

(45) **Date of Patent:** **\*\* Aug. 4, 2020**

- (54) **HEADREST ADJUSTING DEVICE**
- (71) Applicant: **Dongguan Weihong Hardware and Plastic Products Co., Ltd.**, Dongguan (CN)
- (72) Inventor: **Zhu He**, Dongguan (CN)
- (73) Assignee: **DONGGUAN WEIHONG HARDWARE AND PLASTIC PRODUCTS CO., LTD.**, Dongguan (CN)

D717,633 S *	11/2014	Lu	.....	D8/323
D719,434 S *	12/2014	Lu	.....	D8/323
D744,808 S *	12/2015	Lu	.....	D8/323
D758,164 S *	6/2016	Lu	.....	D8/323
D782,834 S *	4/2017	Lu	.....	D6/323
D782,898 S *	4/2017	Lu	.....	D6/716.5
D783,383 S *	4/2017	Lu	.....	D6/716.5
D834,916 S *	12/2018	Lu	.....	D8/323
D866,298 S *	11/2019	Kanter	.....	D8/354
2002/0093231 A1 *	7/2002	Estrada	.....	B60N 2/888 297/216.12

\* cited by examiner

*Primary Examiner* — Mimosa De

(74) *Attorney, Agent, or Firm* — Shimokaji IP

(\*\*) Term: **15 Years**

(21) Appl. No.: **29/660,000**

(22) Filed: **Aug. 14, 2018**

(51) **LOC (12) Cl.** ..... **08-06**

(52) **U.S. Cl.**  
USPC ..... **D8/323**; D6/716.5; D6/718

(58) **Field of Classification Search**  
USPC ..... D6/356, 367, 371, 392, 716.5, 718;  
D8/323, 349, 354; D12/420  
CPC ..... B60N 2/80; B60N 2/806; B60N 2/809;  
B60N 2/818; B60N 2/838; B60N 2/841;  
B60N 2/844; B60N 2/847; B60N 2/853;  
B60N 2/42; B60N 2/888; B60N 2/68;  
A47C 17/18; A47C 20/04; A47C 20/041;  
A47C 17/38; A61G 7/018  
See application file for complete search history.

(56) **References Cited**

**U.S. PATENT DOCUMENTS**

3,742,527 A *	7/1973	Johnston	.....	A61G 7/018 5/611
4,678,232 A *	7/1987	Ishida	.....	B60N 2/847 297/408
D401,455 S *	11/1998	Pate	.....	D6/716.5
D501,733 S *	2/2005	Noguchi	.....	D6/392
D661,122 S *	6/2012	Kubiak	.....	D6/392

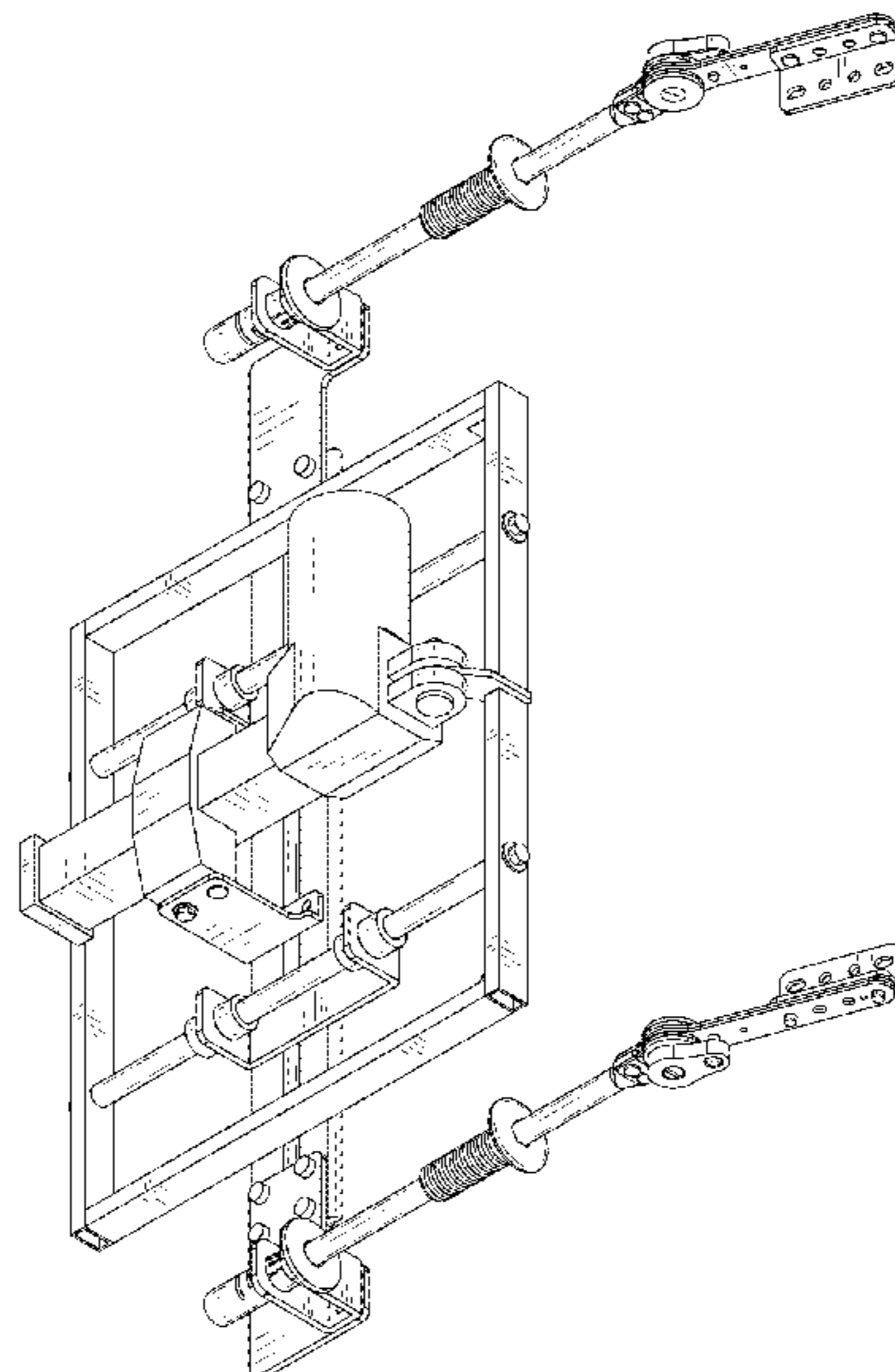
(57) **CLAIM**

The ornamental design for a headrest adjusting device, as shown and described.

**DESCRIPTION**

FIG. 1 is a front elevation view of a headrest adjusting device according to a first embodiment;  
 FIG. 2 is a rear elevation view thereof;  
 FIG. 3 is a left side elevation view thereof;  
 FIG. 4 is a right side elevation view thereof;  
 FIG. 5 is a top plan view thereof;  
 FIG. 6 is a bottom plan view thereof;  
 FIG. 7 is a first perspective view thereof;  
 FIG. 8 is a second perspective view thereof;  
 FIG. 9 is a front elevation view of a headrest adjusting device according to a second embodiment;  
 FIG. 10 is a rear elevation view thereof;  
 FIG. 11 is a left side elevation view thereof;  
 FIG. 12 is a right side elevation view thereof;  
 FIG. 13 is a top plan view thereof;  
 FIG. 14 is a bottom plan view thereof;  
 FIG. 15 is a first perspective view thereof; and,  
 FIG. 16 is a second perspective view thereof.

**1 Claim, 12 Drawing Sheets**



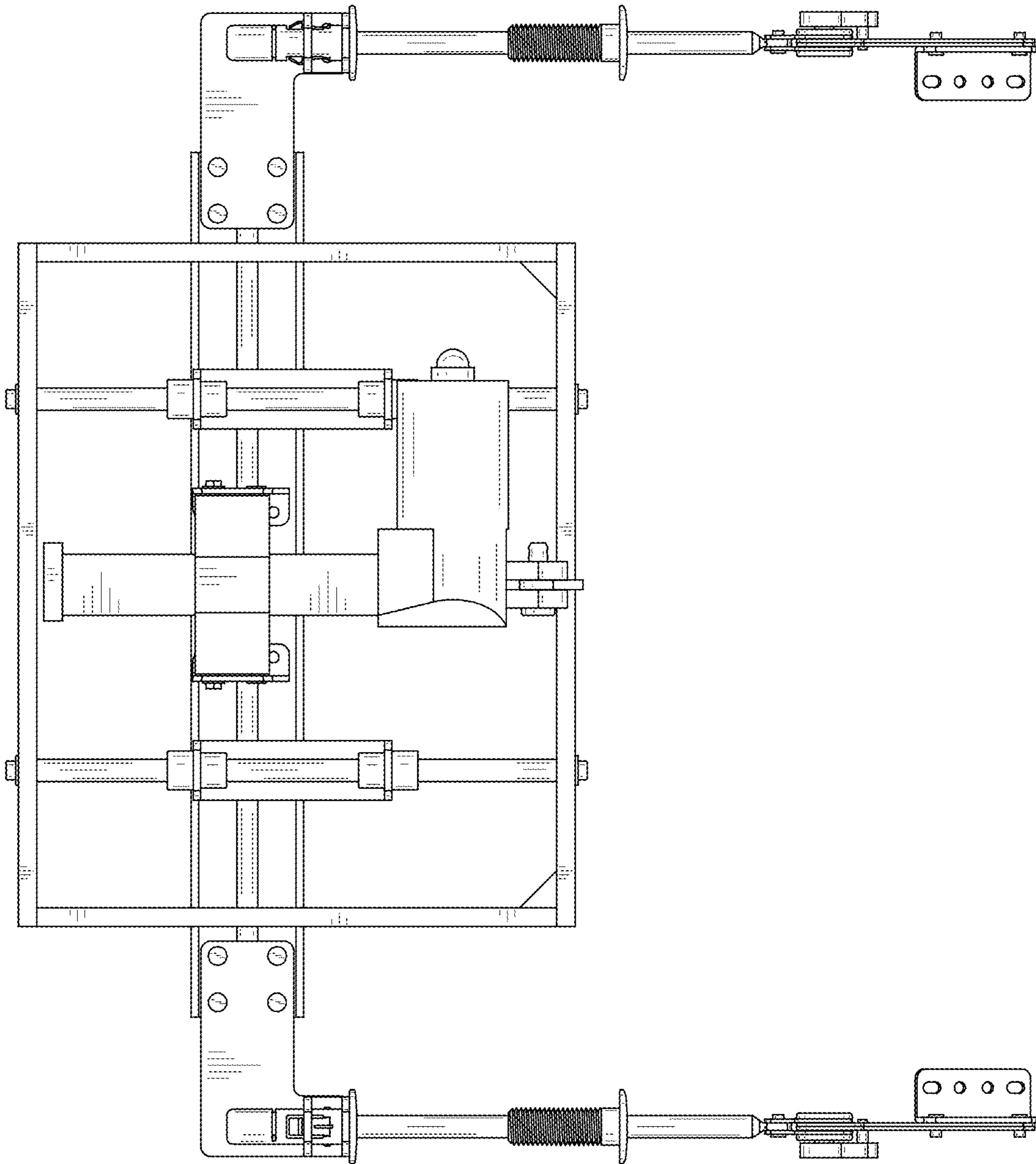


FIG. 1

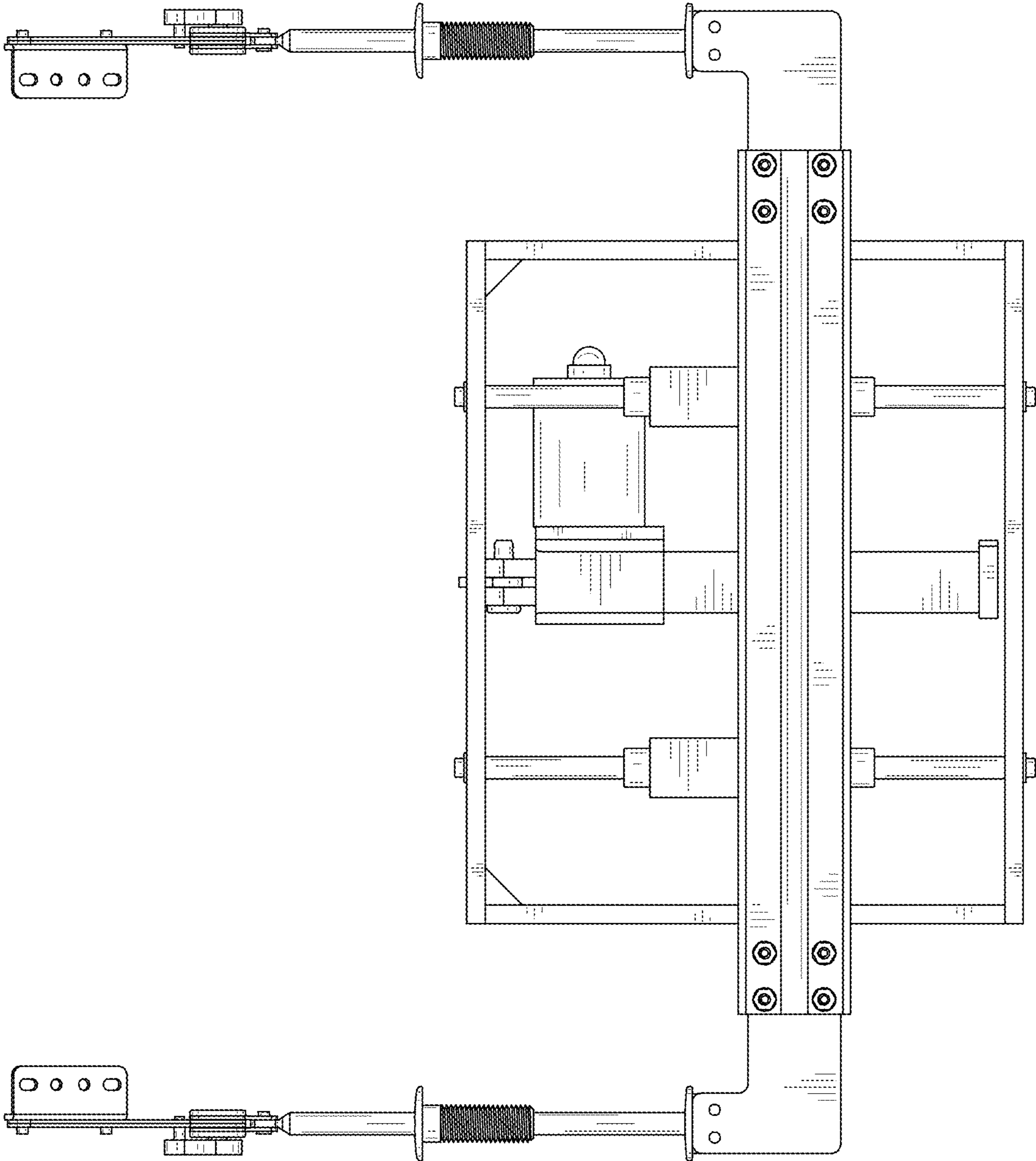


FIG.2

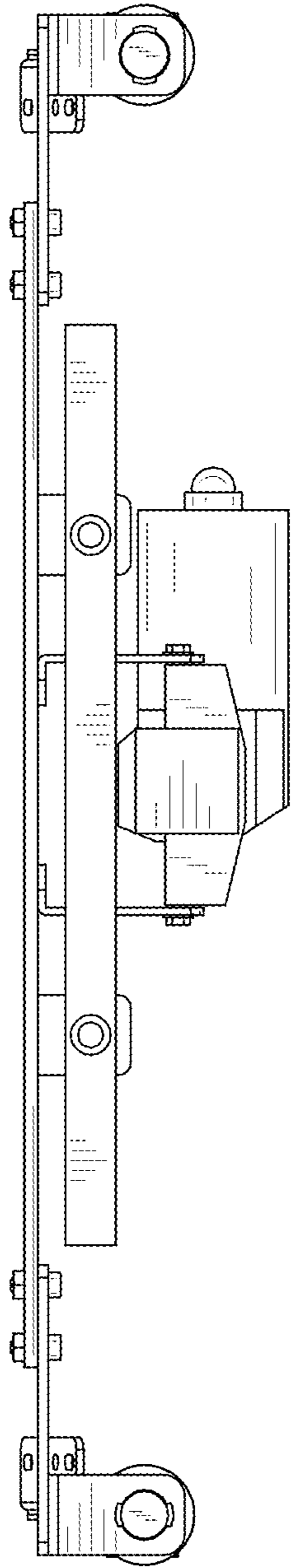


FIG.3

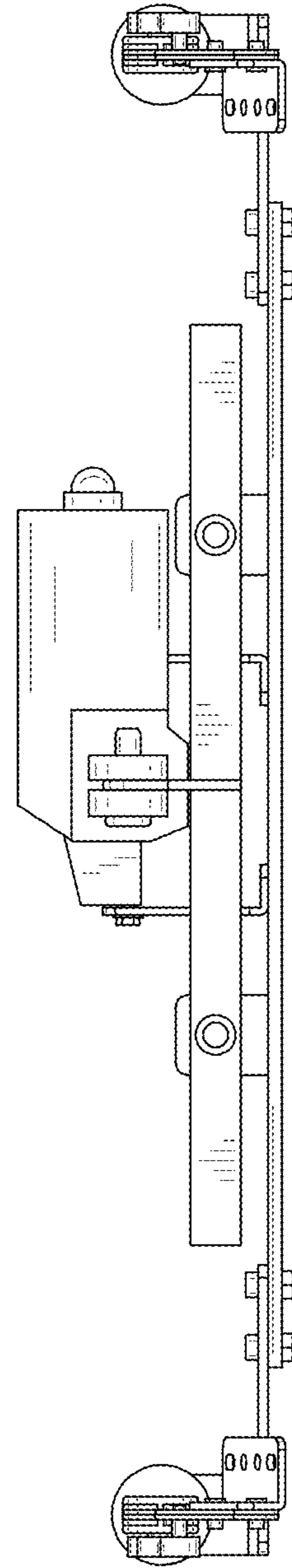


FIG.4

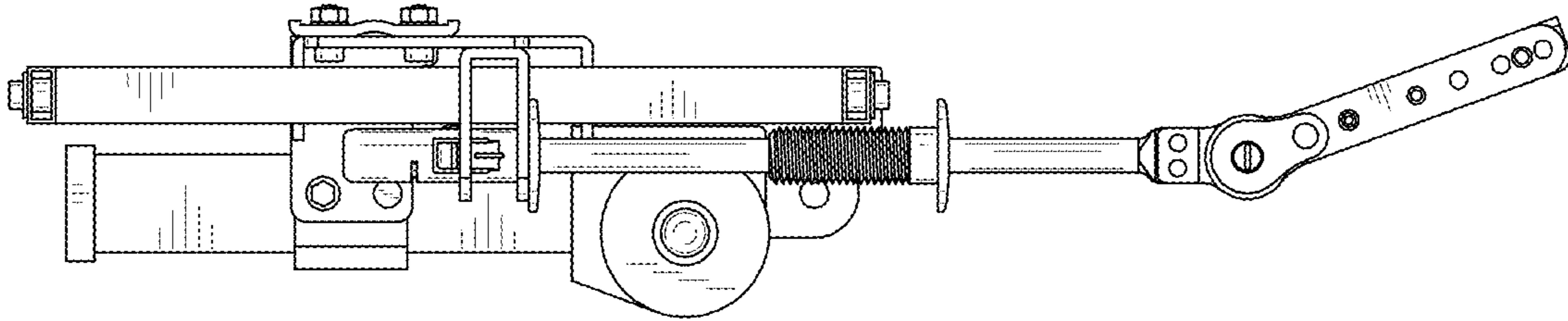


FIG.5

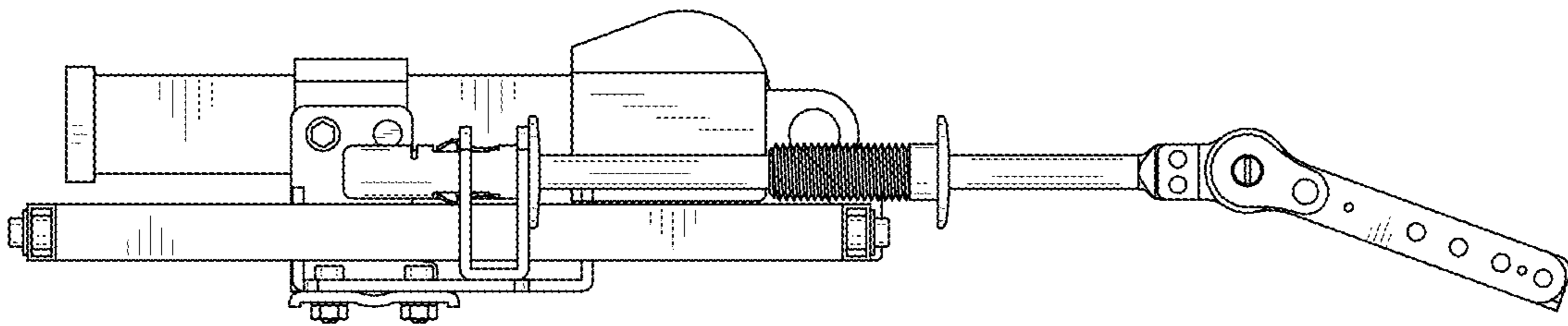


FIG.6

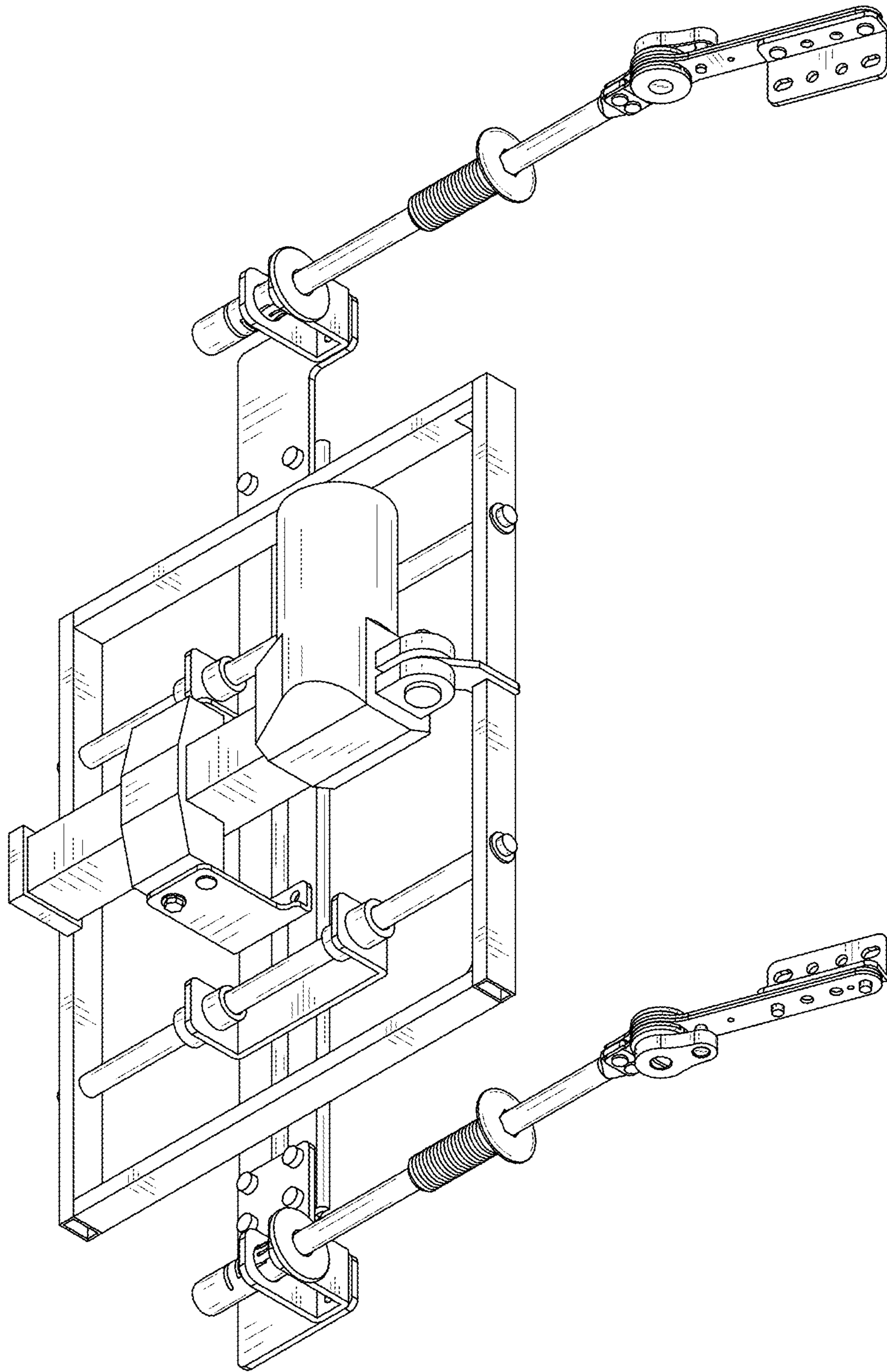


FIG.7

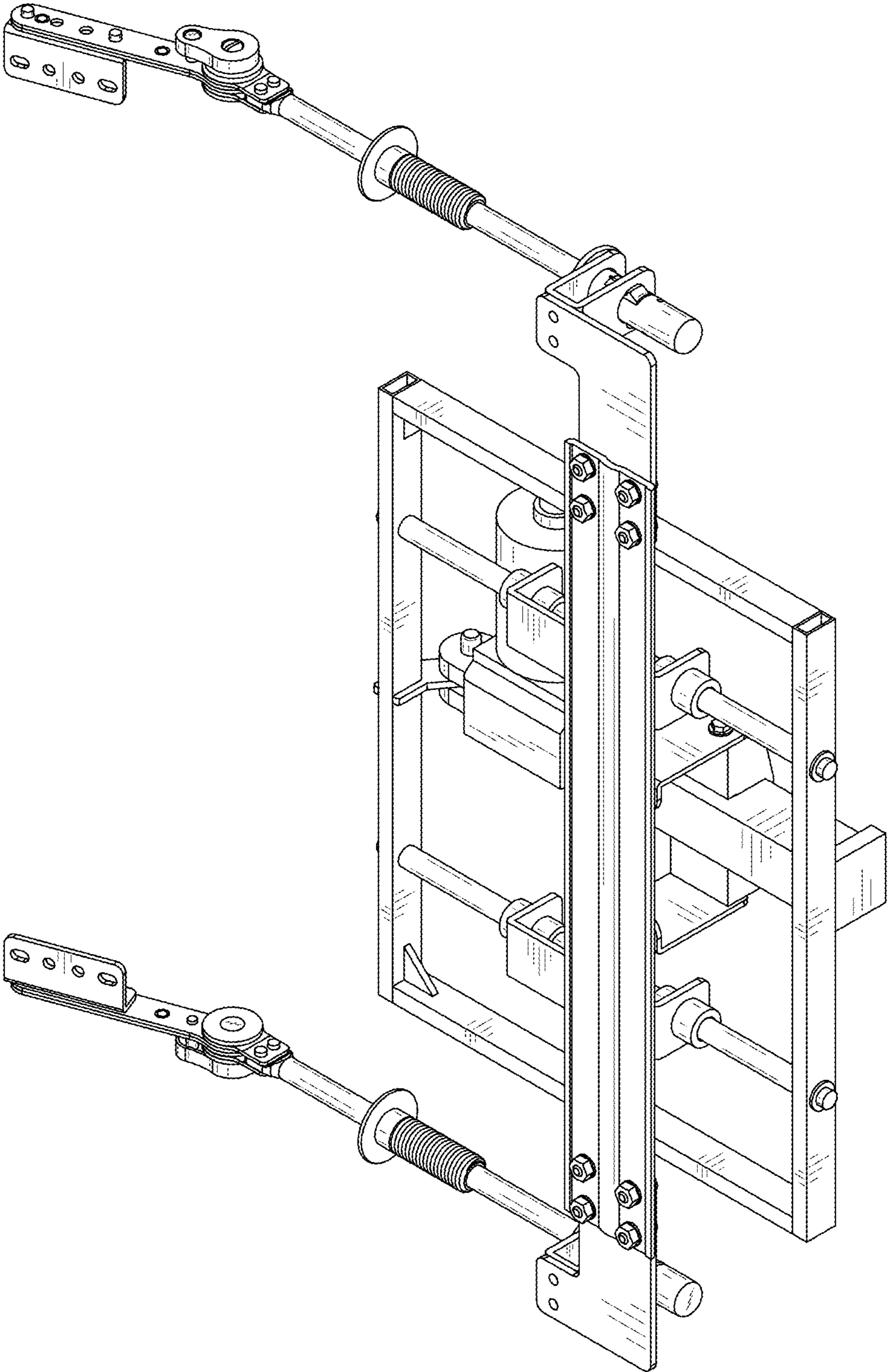


FIG.8

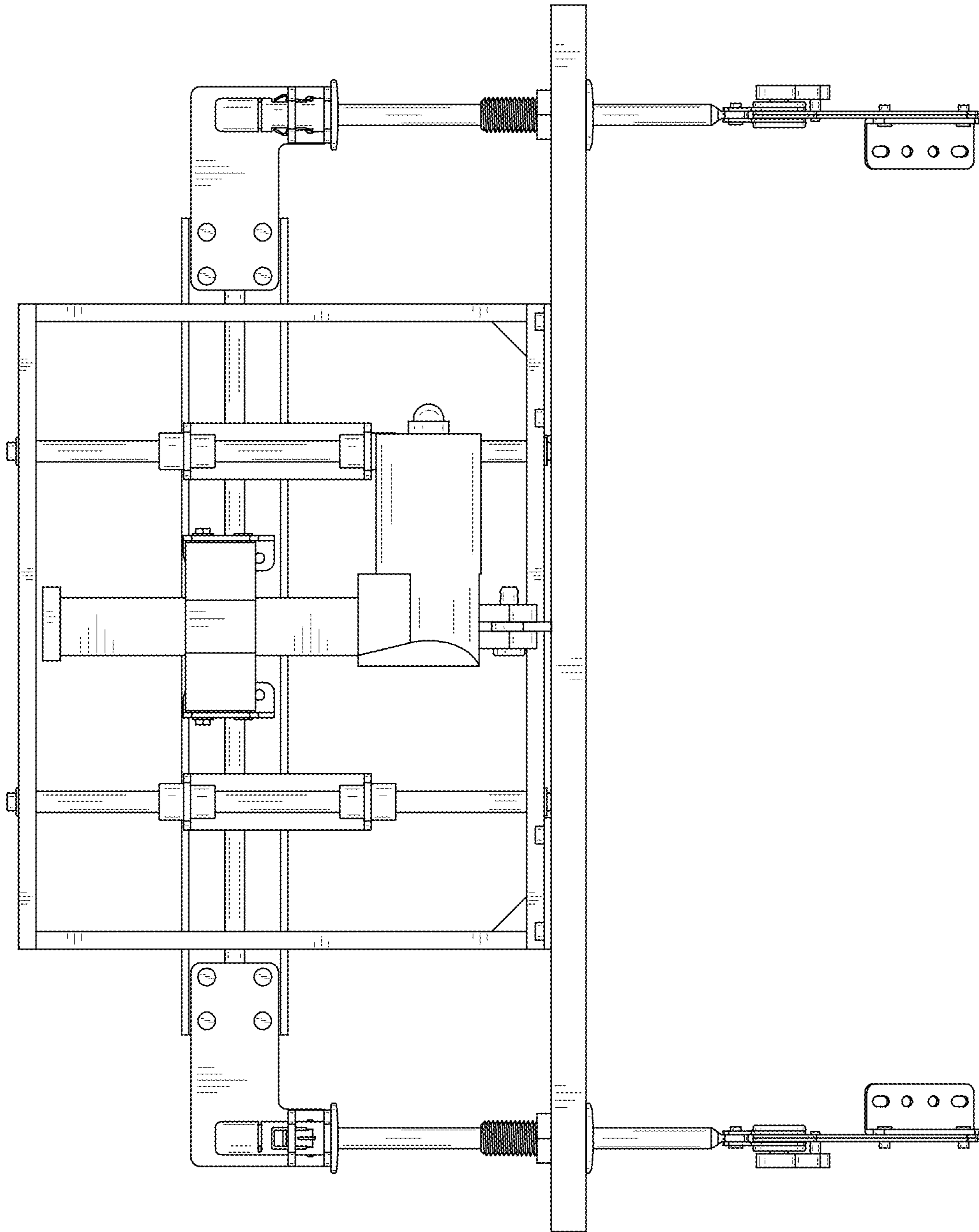


FIG.9



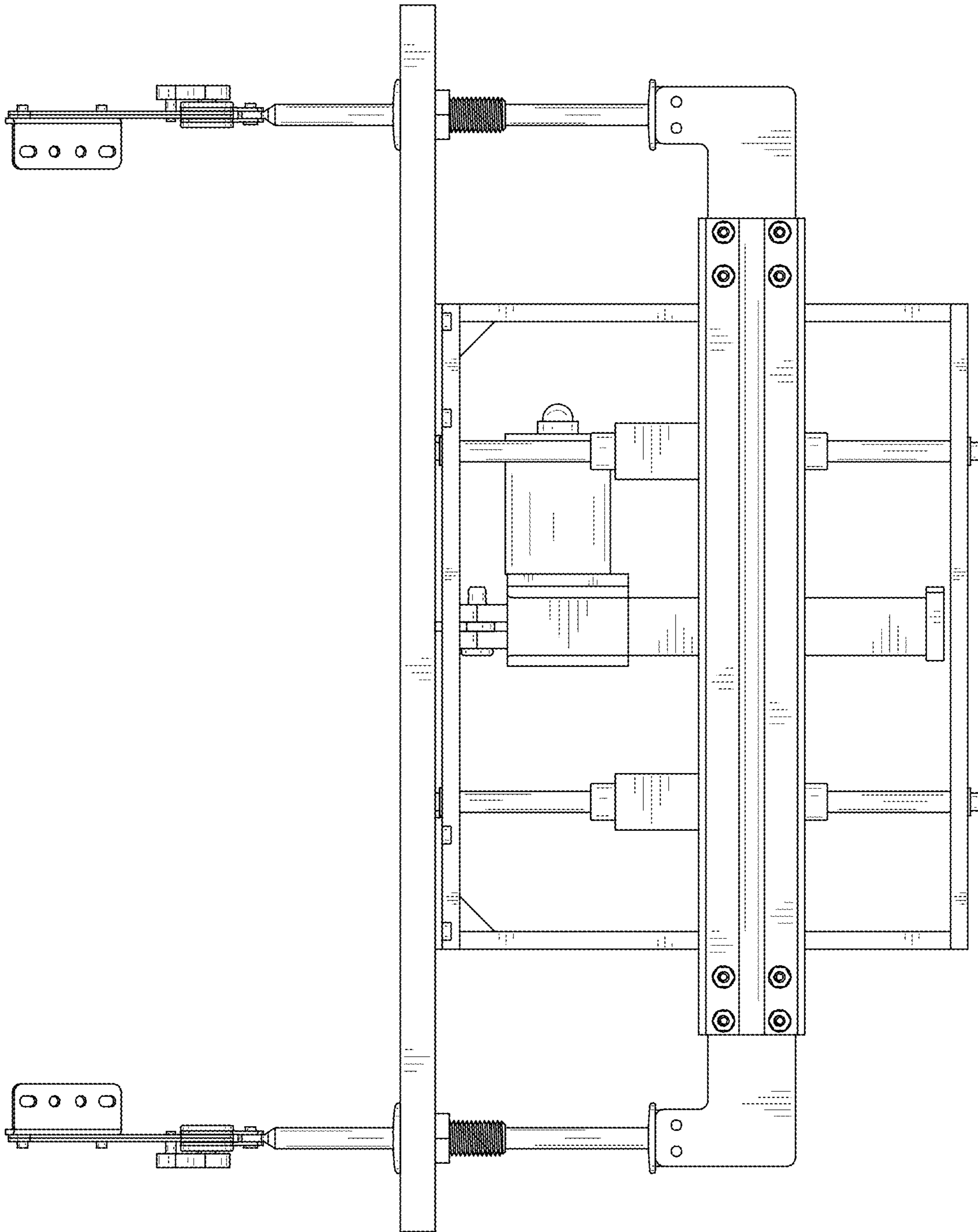


FIG.10

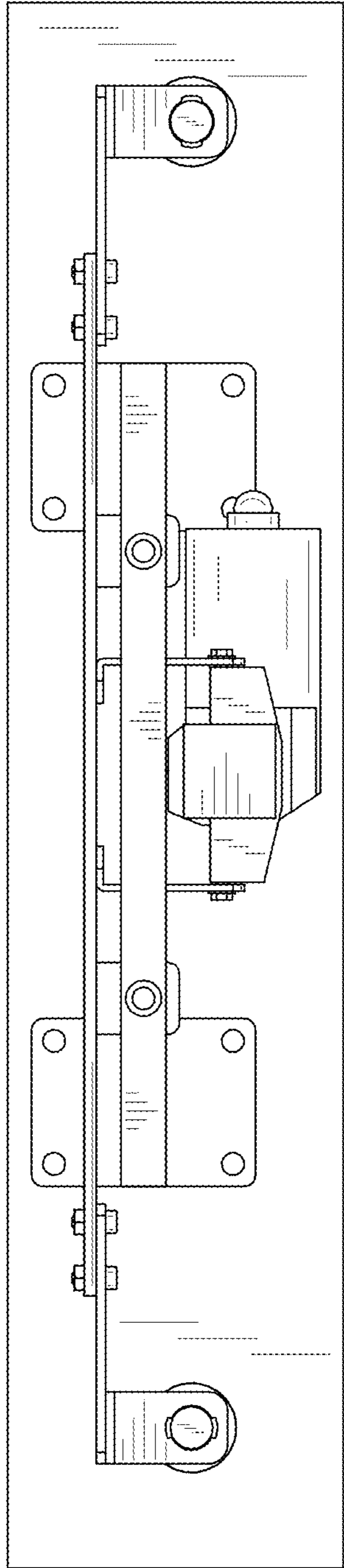


FIG. 11

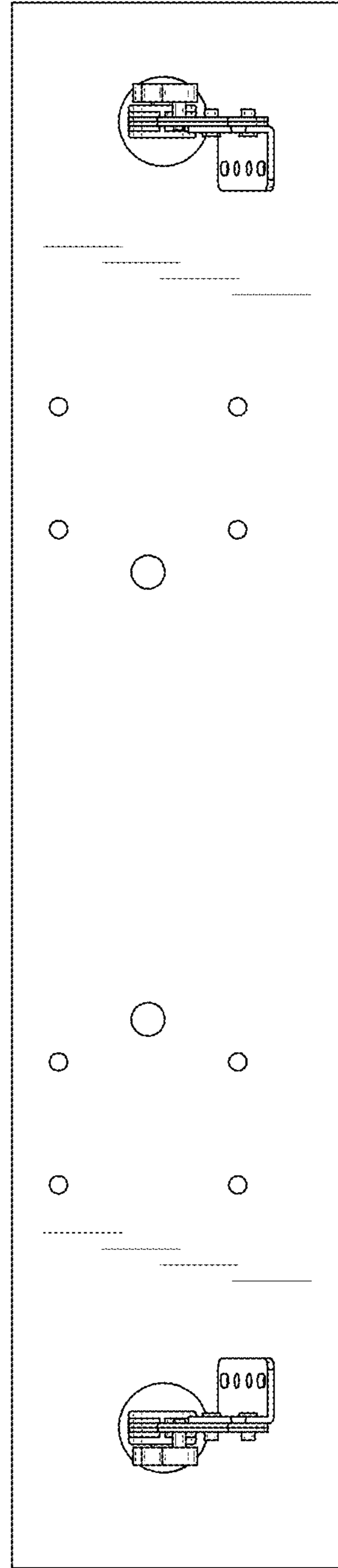


FIG. 12

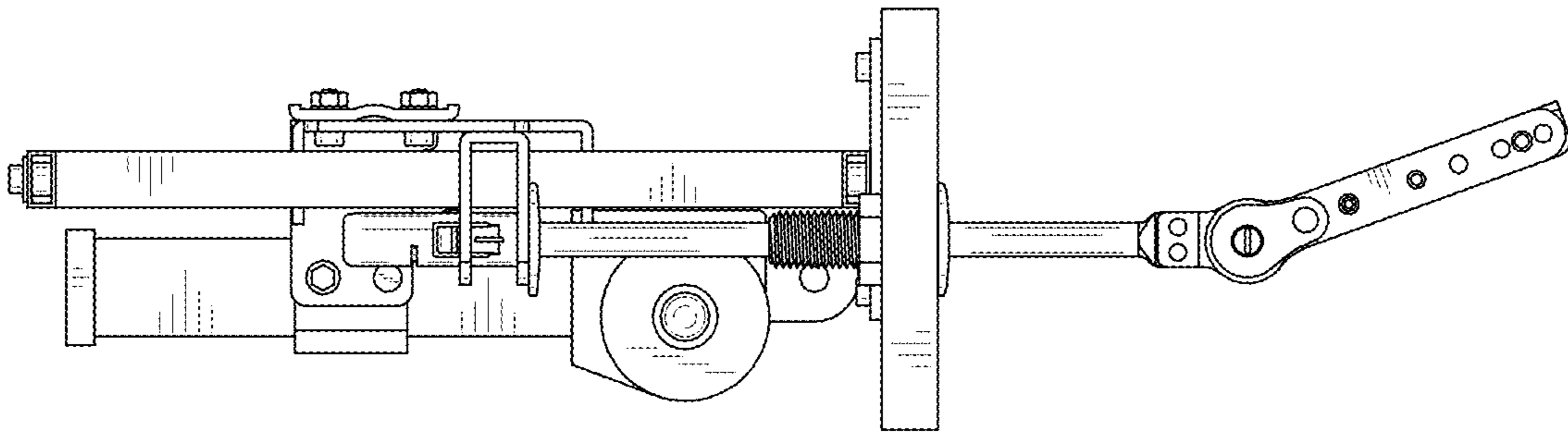


FIG.13

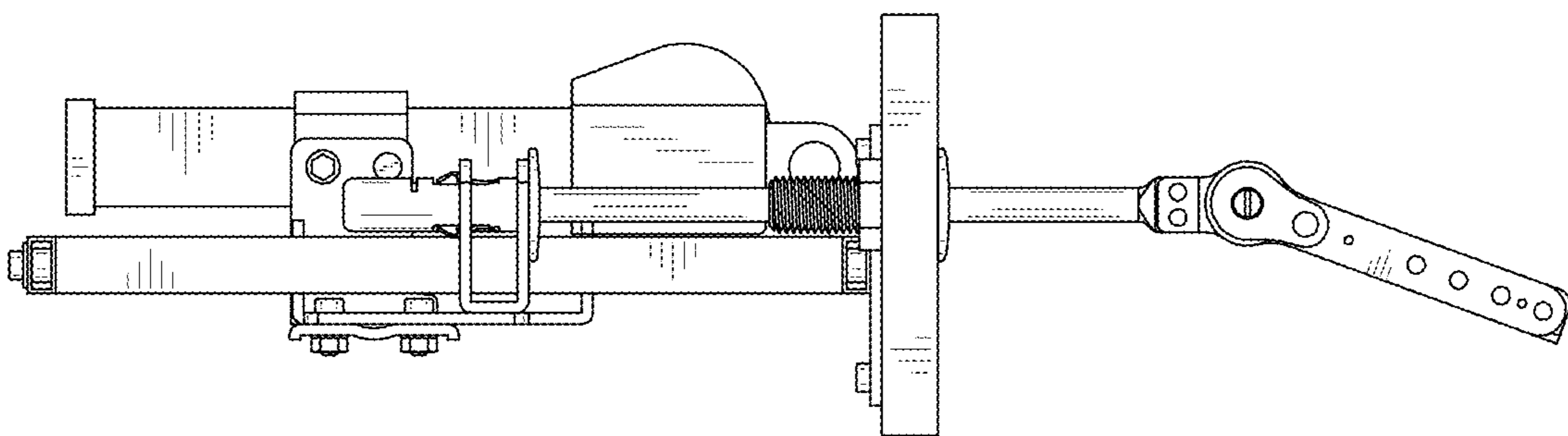


FIG.14

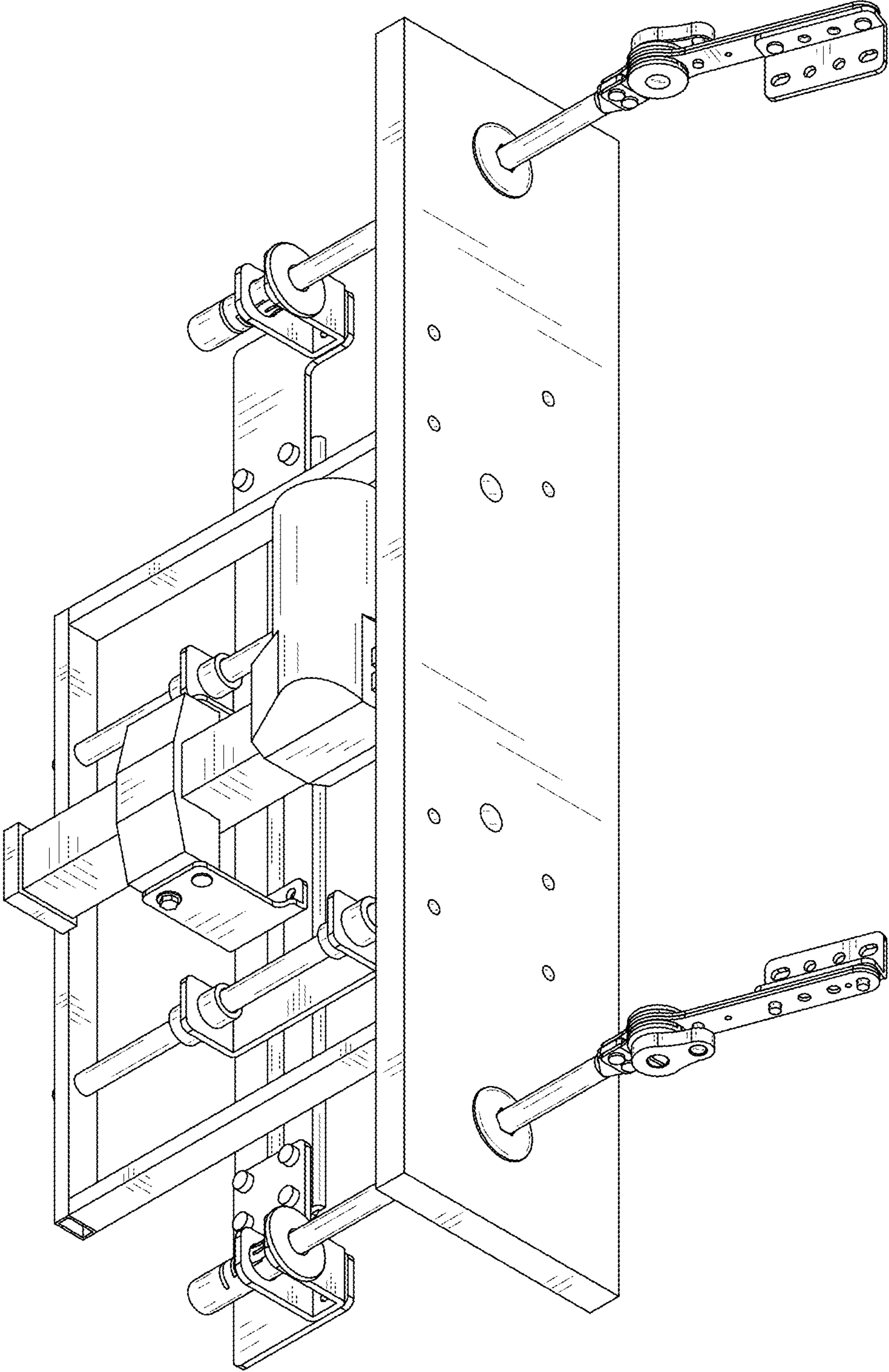


FIG.15

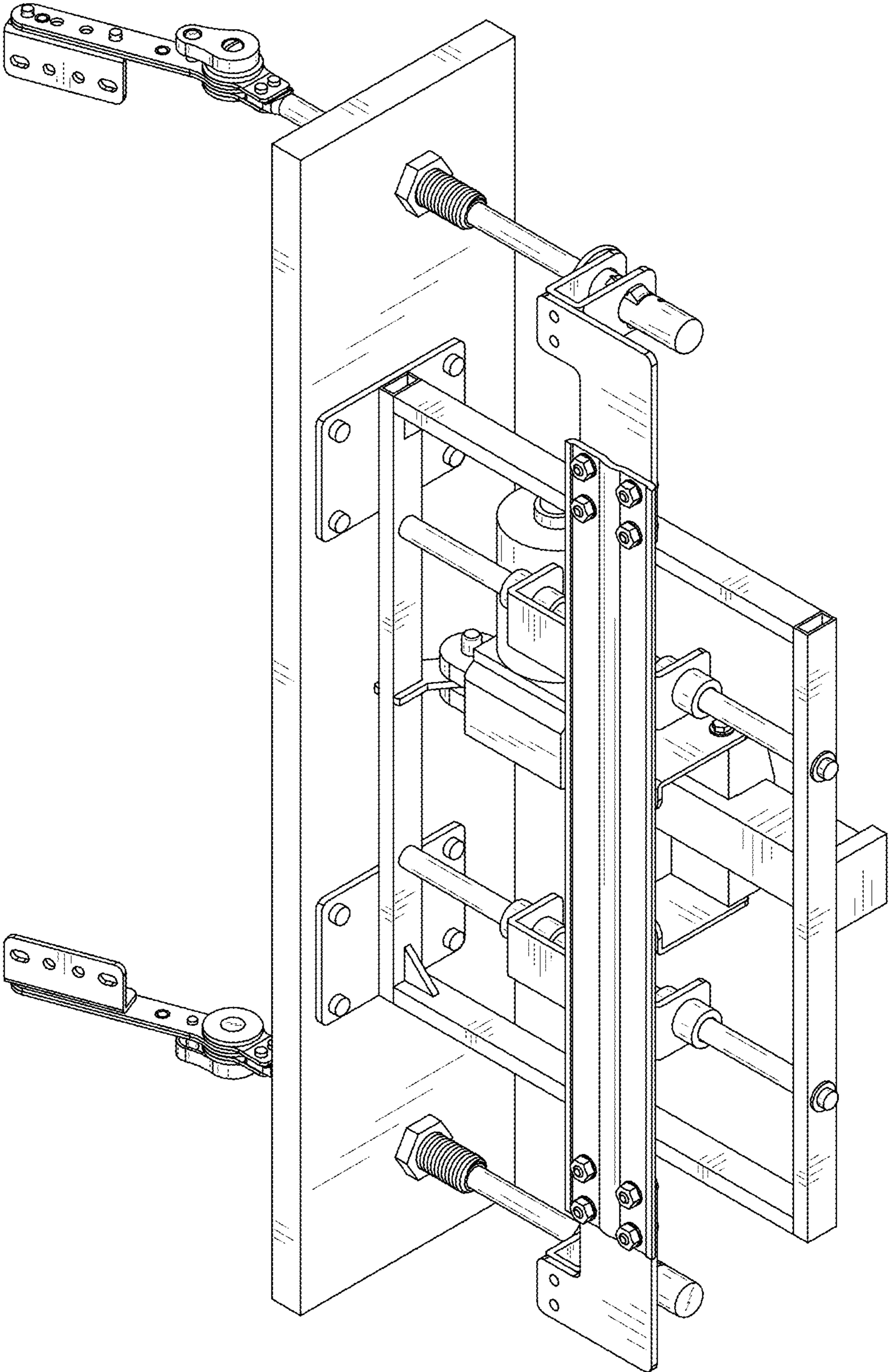


FIG.16