



US00D891900S

(12) **United States Design Patent**
Chen

(10) **Patent No.:** **US D891,900 S**

(45) **Date of Patent:** **** Aug. 4, 2020**

- (54) **TABLE LIFT CONTROLLER**
- (71) Applicant: **TIMOTION TECHNOLOGY CO., LTD.**, New Taipei (TW)
- (72) Inventor: **Yi-Chun Chen**, New Taipei (TW)
- (73) Assignee: **TIMOTION TECHNOLOGY CO., LTD.**, New Taipei (TW)
- (**) Term: **15 Years**
- (21) Appl. No.: **29/694,555**
- (22) Filed: **Jun. 11, 2019**
- (51) **LOC (12) Cl.** **08-06**
- (52) **U.S. Cl.**
USPC **D8/307**
- (58) **Field of Classification Search**
USPC D8/107, 300, 301, 307, 308, 312, 313;
D23/270, 303, 309, 310, 311
CPC Y10T 16/19; Y10T 16/643; Y10T 16/191;
Y10T 16/95; Y10T 24/4088; Y10T
292/1049; A47K 13/10; A47K 13/105;
A47K 13/24; E03D 5/04; E03D 5/092;
A47B 41/02
See application file for complete search history.
- (56) **References Cited**
U.S. PATENT DOCUMENTS
D167,561 S * 8/1952 Dailey et al. D8/314
D361,369 S * 8/1995 Garner D8/307

- D426,875 S * 6/2000 Weatherbee D8/307
- D595,564 S * 7/2009 Jones D8/337
- D618,982 S * 7/2010 Golden D8/308
- D677,553 S * 3/2013 Shah D8/302
- D722,856 S * 2/2015 Shah D8/302
- 10,111,518 B2 * 10/2018 Blackburn A47B 21/02
- D854,775 S * 7/2019 Chang D34/28
- 2017/0049224 A1 * 2/2017 Kim A47B 9/18
- 2018/0064244 A1 * 3/2018 Tsai A47B 41/02
- 2018/0103752 A1 * 4/2018 Zhong A47B 3/02

* cited by examiner

Primary Examiner — Lauren R Calve

(74) *Attorney, Agent, or Firm* — Chun-Ming Shih; HDLS IPR Services

(57) **CLAIM**

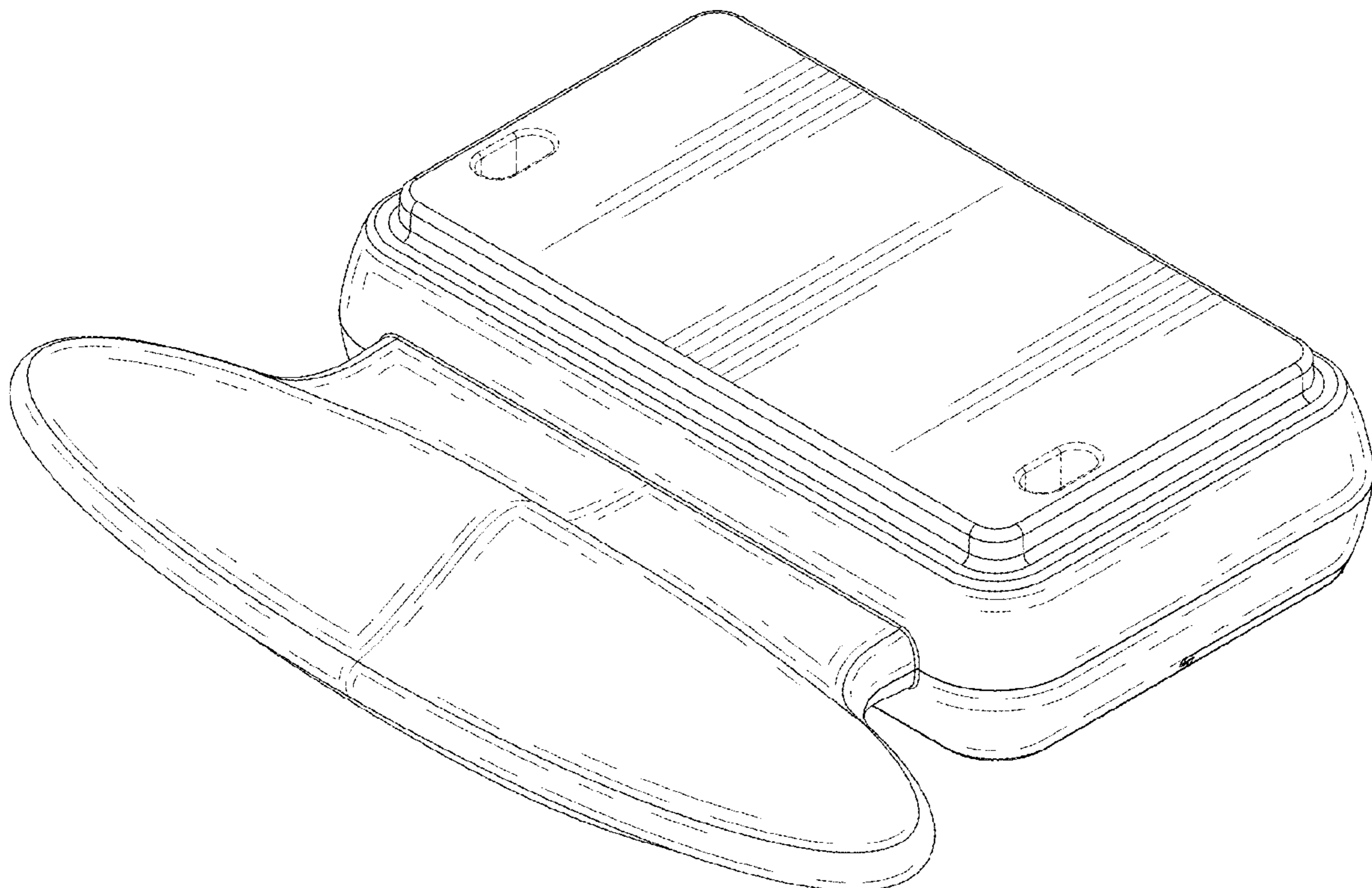
The ornamental design for a table lift controller, as shown and described.

DESCRIPTION

FIG. 1 is a perspective view of a table lift controller showing my new design;
 FIG. 2 is a front view thereof;
 FIG. 3 is a rear view thereof;
 FIG. 4 is a left side view thereof;
 FIG. 5 is a right side view thereof;
 FIG. 6 is a top view thereof;
 FIG. 7 is a bottom view thereof; and,
 FIG. 8 is a second perspective view showing the table lift controller.

The broken lines in the drawings illustrate portions of the table lift controller that form no part of the claimed design.

1 Claim, 8 Drawing Sheets



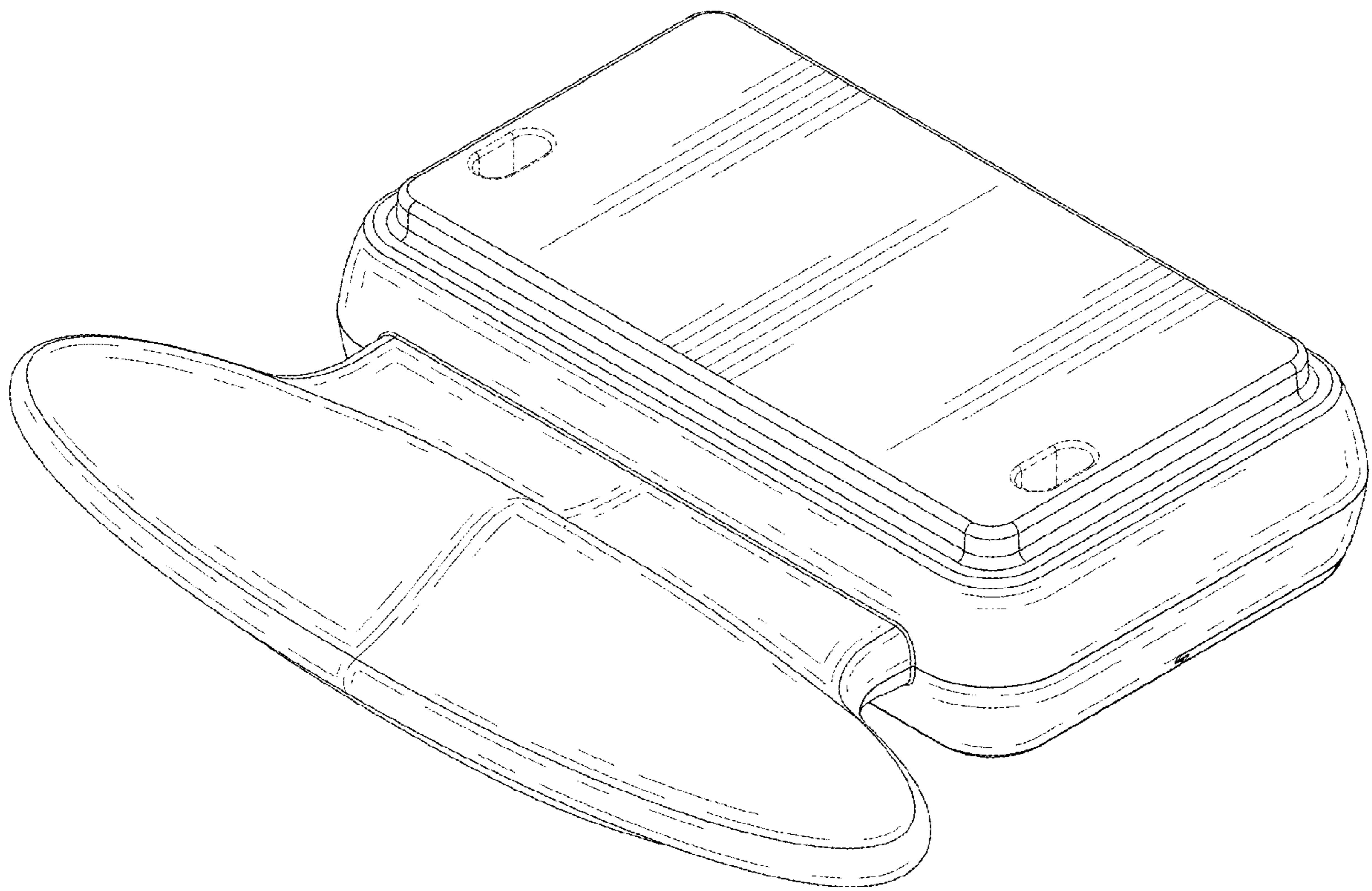


FIG. 1

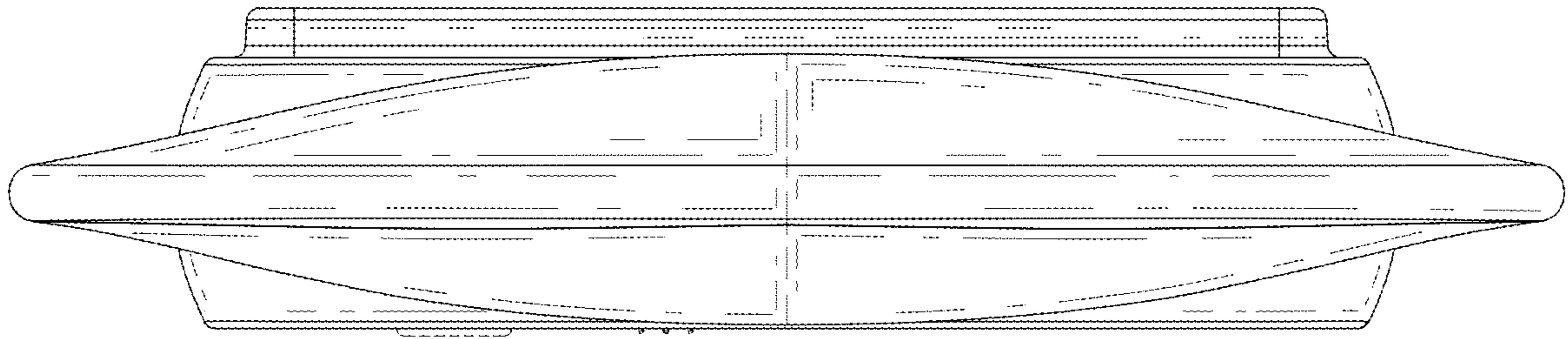


FIG.2

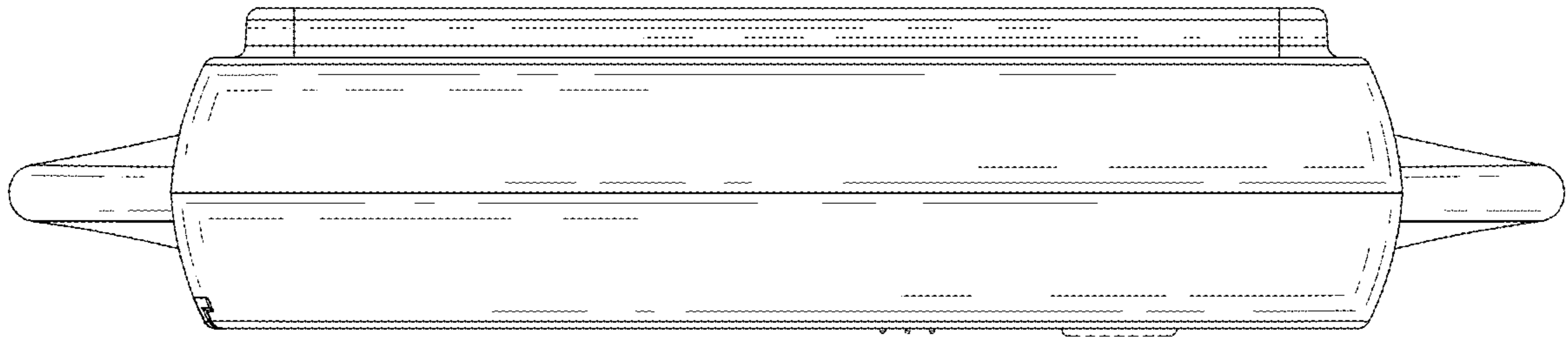


FIG.3

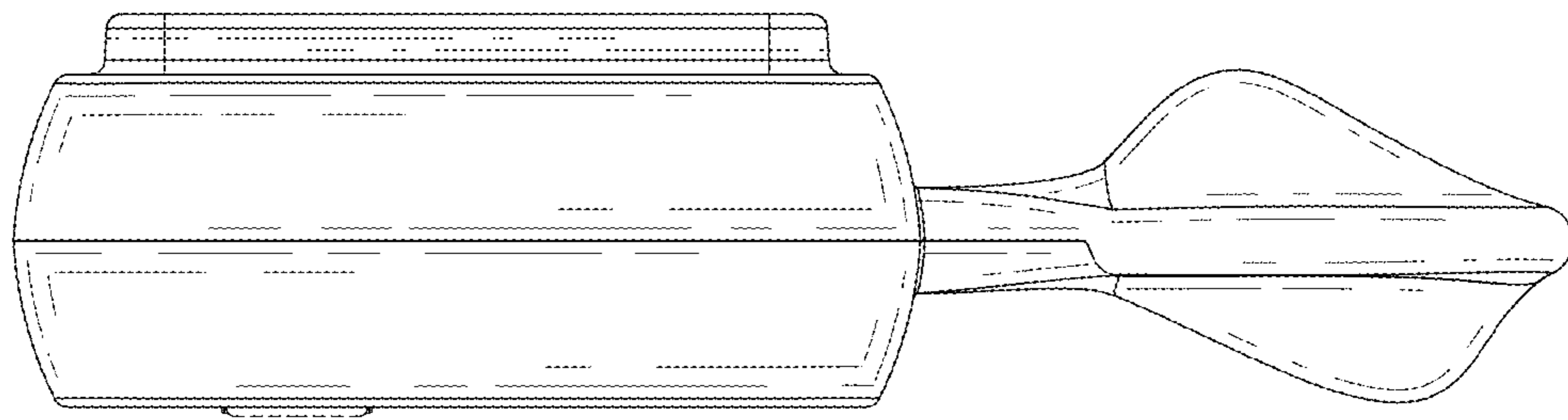


FIG.4

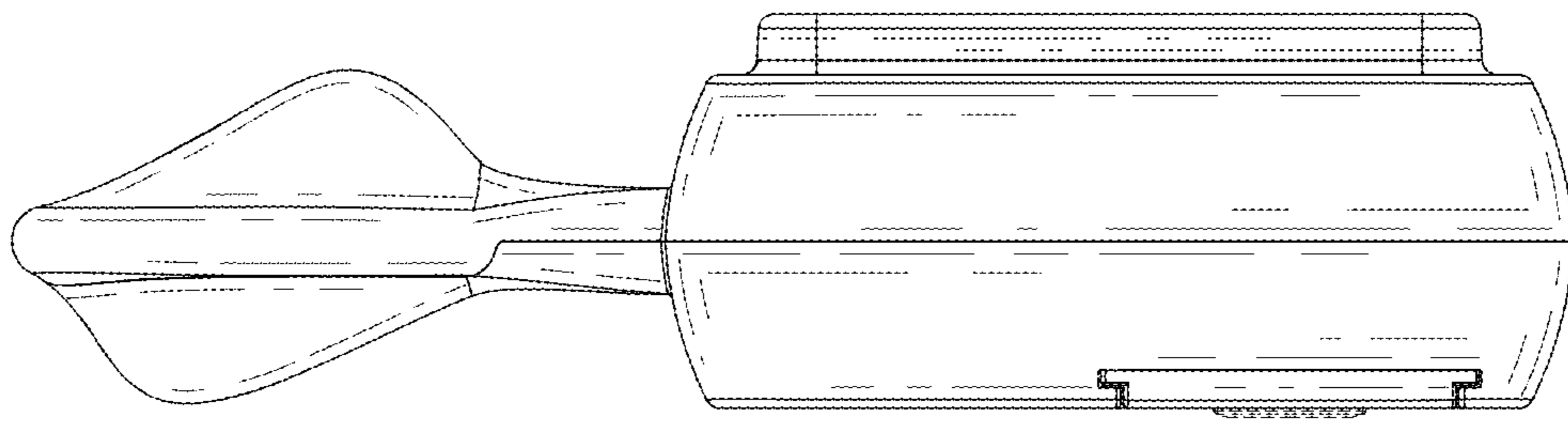


FIG. 5

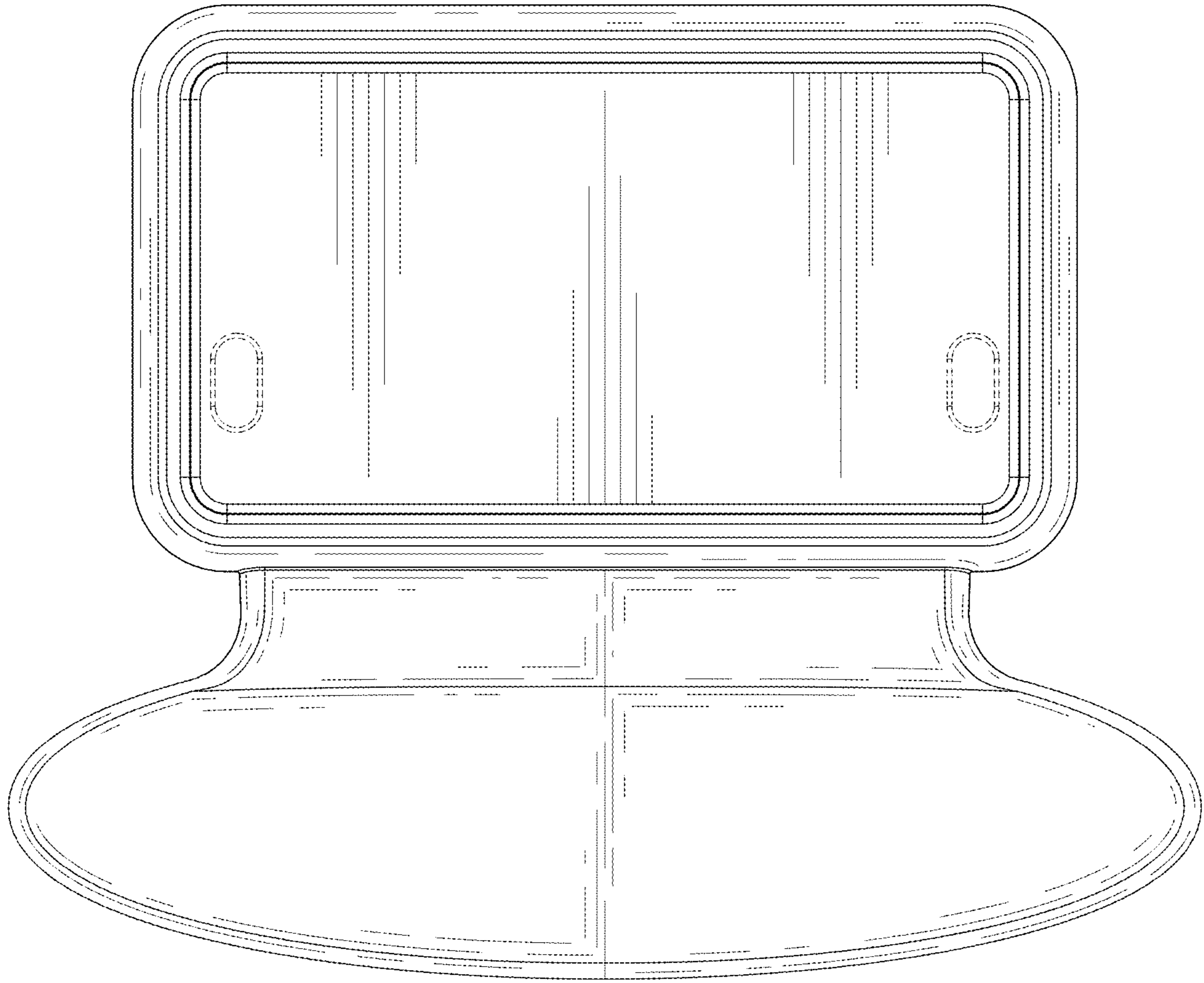


FIG.6

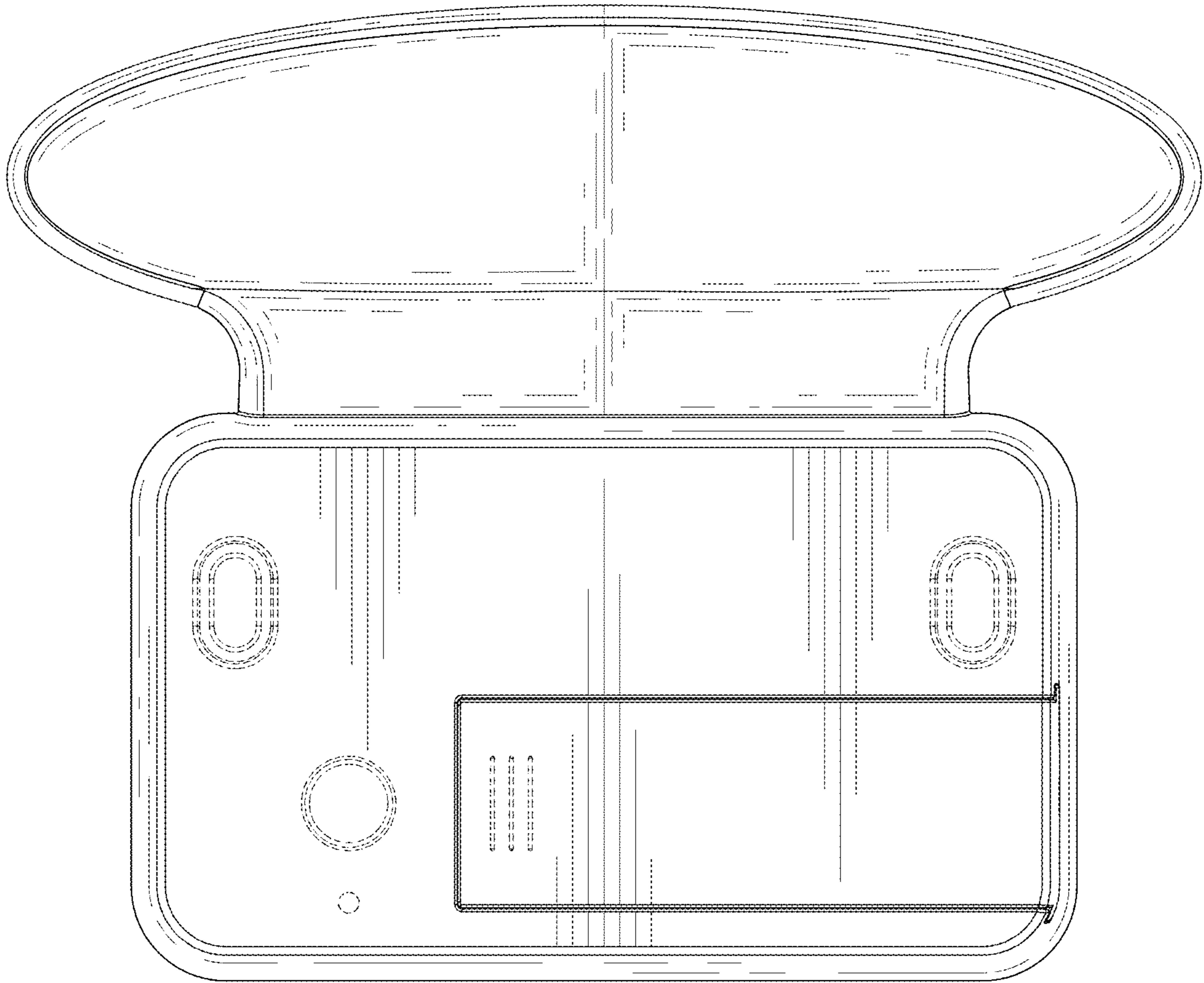


FIG.7

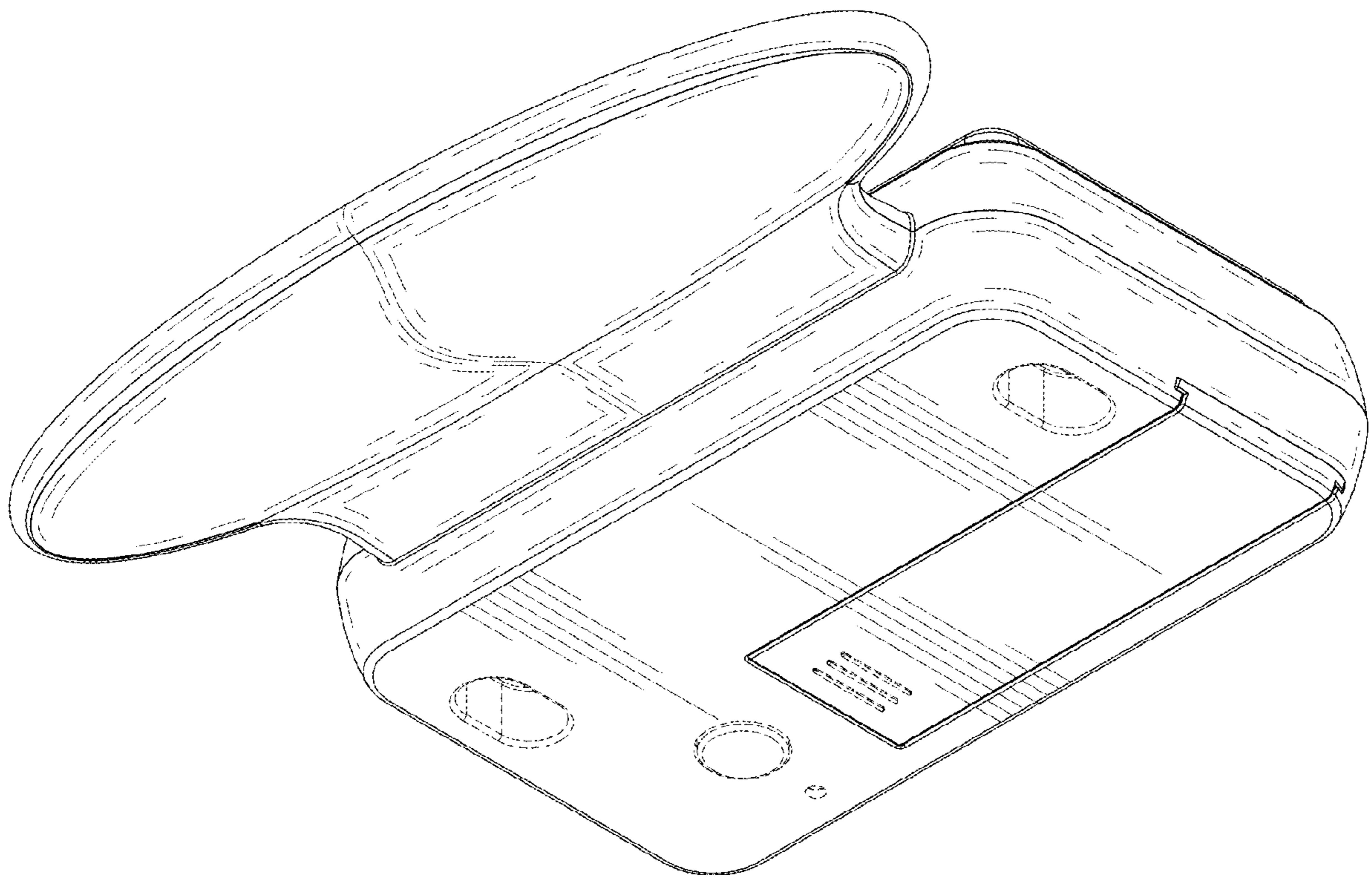


FIG.8