



US00D891896S

(12) **United States Design Patent**  
**Cheng et al.**

(10) **Patent No.:** **US D891,896 S**

(45) **Date of Patent:** **\*\* Aug. 4, 2020**

(54) **TOOL FOR A FIREARM**

(71) Applicants: **Carson Cheng**, City of Industry, CA (US); **Changan Tian**, City of Industry, CA (US); **Richard Thomas**, City of Industry, CA (US)

(72) Inventors: **Carson Cheng**, City of Industry, CA (US); **Changan Tian**, City of Industry, CA (US); **Richard Thomas**, City of Industry, CA (US)

(73) Assignee: **NcSTAR Inc.**, City of industry, CA (US)

(\*\*) Term: **15 Years**

(21) Appl. No.: **29/673,945**

(22) Filed: **Dec. 18, 2018**

(51) **LOC (12) Cl.** ..... **08-04**

(52) **U.S. Cl.**  
USPC ..... **D8/83**; D8/107; D22/199

(58) **Field of Classification Search**  
USPC .... D8/82, 83, 84, 85, 86, 87, 107; D22/108, D22/199  
CPC ..... B25F 1/02; B25B 23/16; B25B 15/00  
See application file for complete search history.

(56) **References Cited**

U.S. PATENT DOCUMENTS

- D341,763 S \* 11/1993 Espin ..... D8/86
- D378,186 S \* 2/1997 Braun ..... D8/107
- 5,746,298 A \* 5/1998 Krivec ..... B25B 15/02  
192/48.3
- D420,559 S \* 2/2000 Chang ..... D8/107

(Continued)

*Primary Examiner* — Khawaja Anwar  
*Assistant Examiner* — Mojtaba Tehrani

(57) **CLAIM**

The ornamental design for a tool for a firearm, as shown and described.

**DESCRIPTION**

FIG. 1 is a front view of the tool for a firearm of our new design;

FIG. 2 is a rear view thereof;

FIG. 3 is a left view thereof;

FIG. 4 is a right view thereof;

FIG. 5 is a top view thereof;

FIG. 6 is a bottom view thereof;

FIG. 7 is a top front perspective view thereof;

FIG. 8 is a bottom front perspective view thereof;

FIG. 9 is a top rear perspective view thereof;

FIG. 10 is a bottom rear perspective view thereof.

FIG. 11 is a front view of the tool with opening bottom cap thereof.

FIG. 12 is a rear view of the tool with opening bottom cap thereof.

FIG. 13 is a left view of the tool with opening bottom cap thereof.

FIG. 14 is a right view of the tool with opening bottom cap thereof.

FIG. 15 is a top view of the tool with opening bottom cap thereof.

FIG. 16 is a bottom view of the tool with opening bottom cap thereof.

FIG. 17 is a top front perspective view of the tool with opening bottom cap thereof;

FIG. 18 is a bottom front perspective view of the tool with opening bottom cap thereof;

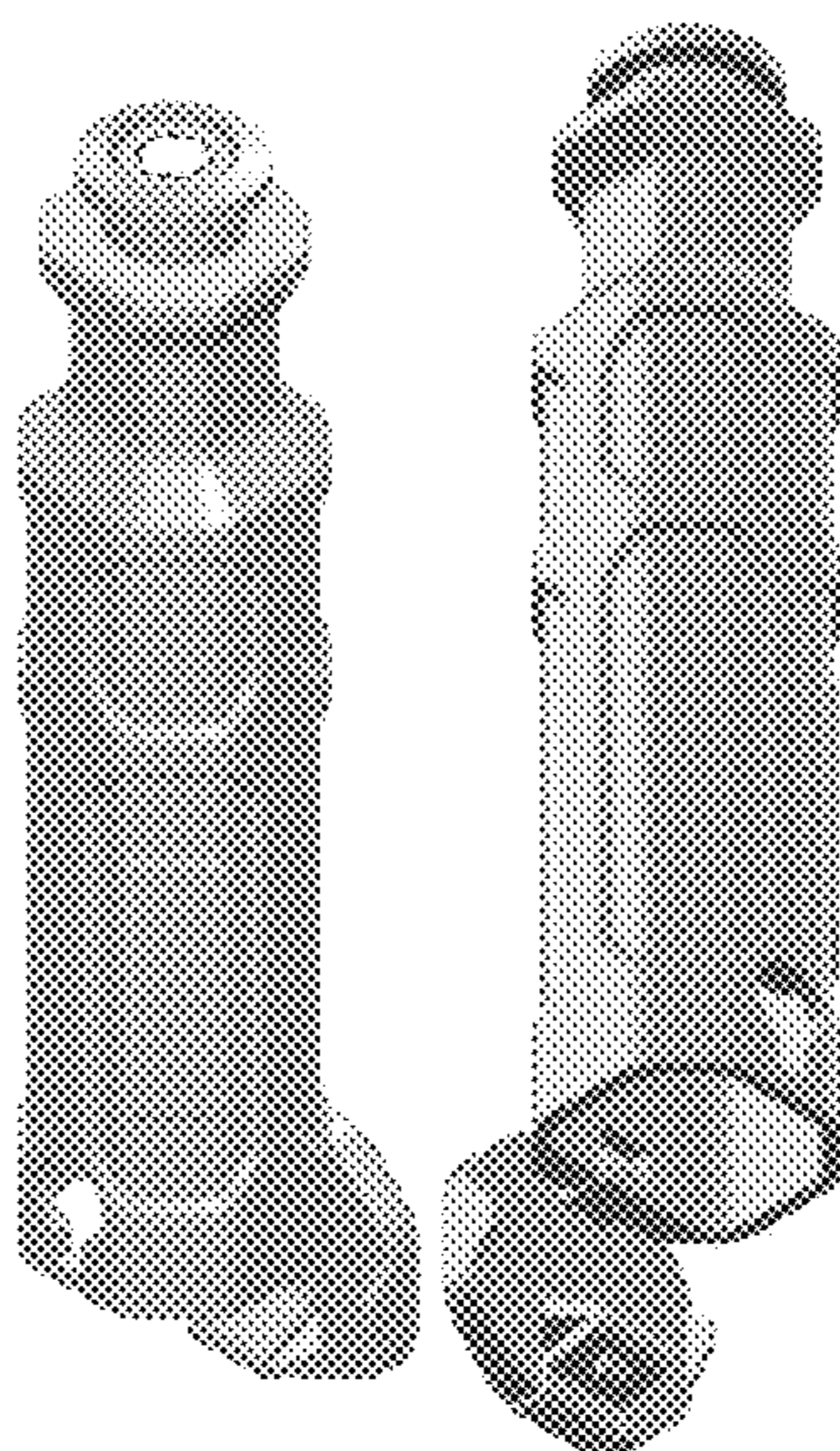
FIG. 19 is a top rear perspective view of the tool with opening bottom cap thereof;

FIG. 20 is a bottom rear perspective view of the tool with opening bottom cap thereof; and,

FIG. 21 is another bottom rear perspective view of the tool with opening bottom cap thereof.

The broken lines in the drawings depict unclaimed portion of the tool, and formed no part of the claimed design.

**1 Claim, 11 Drawing Sheets**



(56)

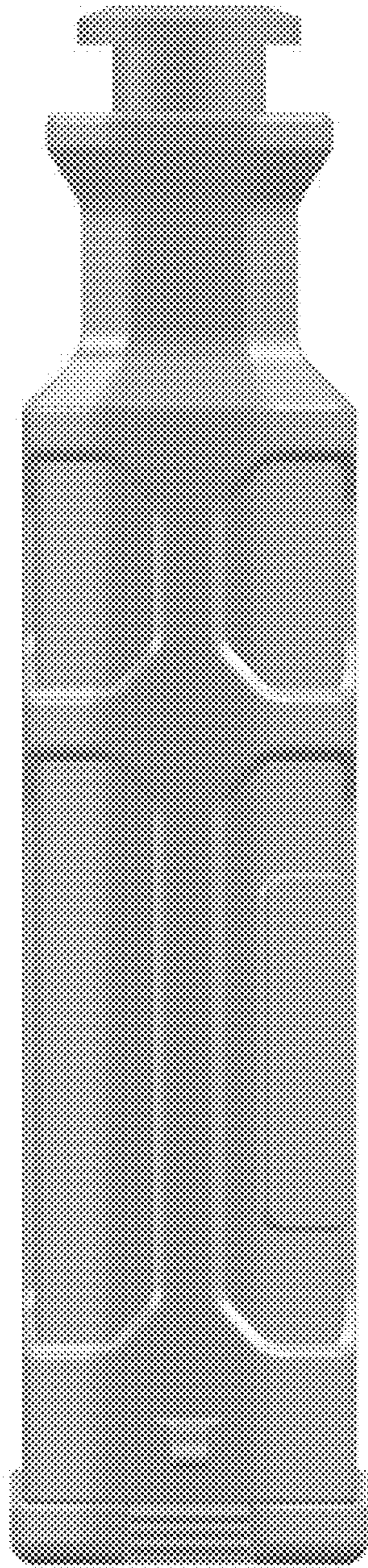
References Cited

U.S. PATENT DOCUMENTS

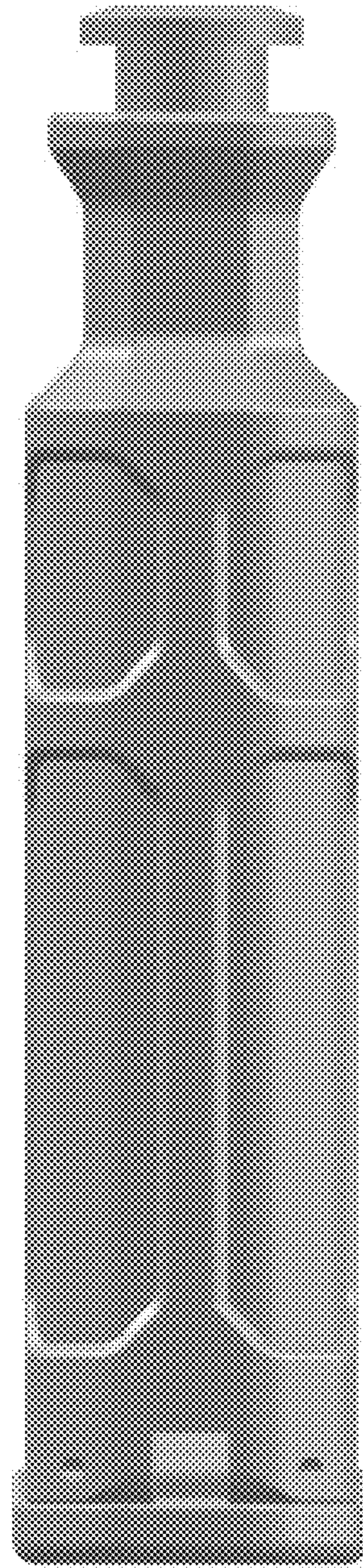
D442,843 S \* 5/2001 Hsu ..... D8/107  
 D448,268 S \* 9/2001 Lamond ..... D8/107  
 D449,506 S \* 10/2001 Haung ..... D8/22  
 D481,612 S \* 11/2003 Tsai ..... D8/107  
 D482,590 S \* 11/2003 Lisle ..... D8/107  
 D482,591 S \* 11/2003 Lisle ..... D8/107  
 D498,403 S \* 11/2004 Singh ..... D8/86  
 D515,899 S \* 2/2006 Chan ..... D8/83  
 D519,821 S \* 5/2006 Tsai ..... D8/107  
 D525,850 S \* 8/2006 Huang ..... D8/83  
 D536,234 S \* 2/2007 Lin ..... D8/107  
 D550,531 S \* 9/2007 Yeh ..... D8/83  
 D551,530 S \* 9/2007 Hirsch ..... D8/107  
 D553,464 S \* 10/2007 Rinner ..... D8/83  
 D565,379 S \* 4/2008 Williams ..... D8/83  
 D567,621 S \* 4/2008 Singh ..... D8/83  
 D573,862 S \* 7/2008 Kao ..... D8/83  
 D574,208 S \* 8/2008 Lin ..... D8/107  
 D589,319 S \* 3/2009 Peters ..... D8/70  
 D600,524 S \* 9/2009 Lai ..... D8/83  
 D619,728 S \* 7/2010 Bare ..... D24/224  
 8,109,183 B2 \* 2/2012 Santamarina ..... B25B 15/001  
 173/211

D659,730 S \* 5/2012 Cantlon ..... D15/140  
 D672,423 S \* 12/2012 Buie, II ..... D22/108  
 D675,703 S \* 2/2013 Buie, II ..... D22/108  
 D677,355 S \* 3/2013 Buie, II ..... D22/108  
 D677,356 S \* 3/2013 Buie, II ..... D22/108  
 D698,218 S \* 1/2014 Gomez ..... D8/87  
 8,733,216 B1 \* 5/2014 Cantlon ..... B25B 23/12  
 81/429  
 D706,105 S \* 6/2014 Wu ..... D8/85  
 D714,121 S \* 9/2014 Suter ..... D8/85  
 D736,053 S \* 8/2015 Zhang ..... D8/86  
 D774,867 S \* 12/2016 Panier ..... D8/82  
 D776,935 S \* 1/2017 White ..... D4/100  
 D792,769 S \* 7/2017 Bischoff ..... D9/500  
 D800,528 S \* 10/2017 Leibowitz ..... D8/83  
 D808,766 S \* 1/2018 Weinberg ..... D8/107  
 D810,538 S \* 2/2018 Ou ..... D8/83  
 D829,524 S \* 10/2018 Su ..... D8/83  
 D845,102 S \* 4/2019 Hofer ..... D8/85  
 D850,233 S \* 6/2019 Heine ..... D8/107  
 D850,234 S \* 6/2019 Heine ..... D8/107  
 D853,808 S \* 7/2019 Hyma ..... D8/29  
 D856,425 S \* 8/2019 Solola ..... D19/203  
 D863,006 S \* 10/2019 Buie, II ..... D8/25  
 D865,477 S \* 11/2019 Lipscomb ..... D8/82  
 D873,100 S \* 1/2020 Buie, II ..... D8/25

\* cited by examiner



**FIG. 1**



**FIG. 2**

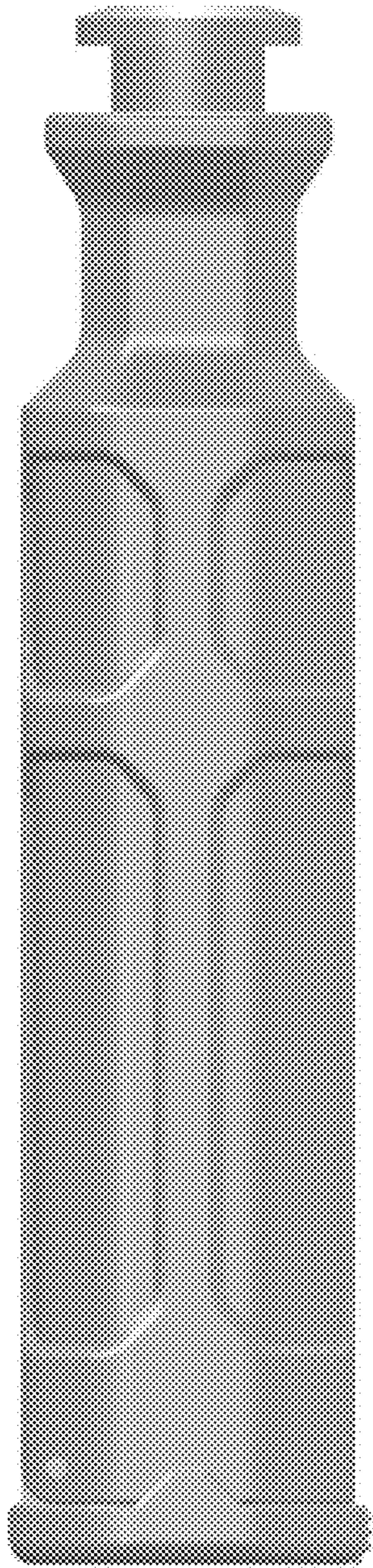


FIG. 3

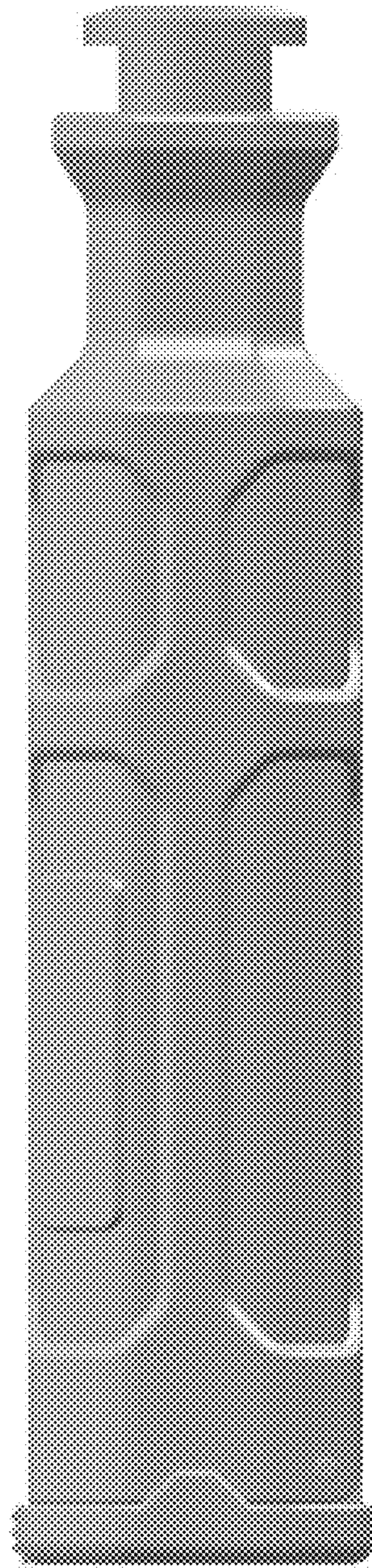
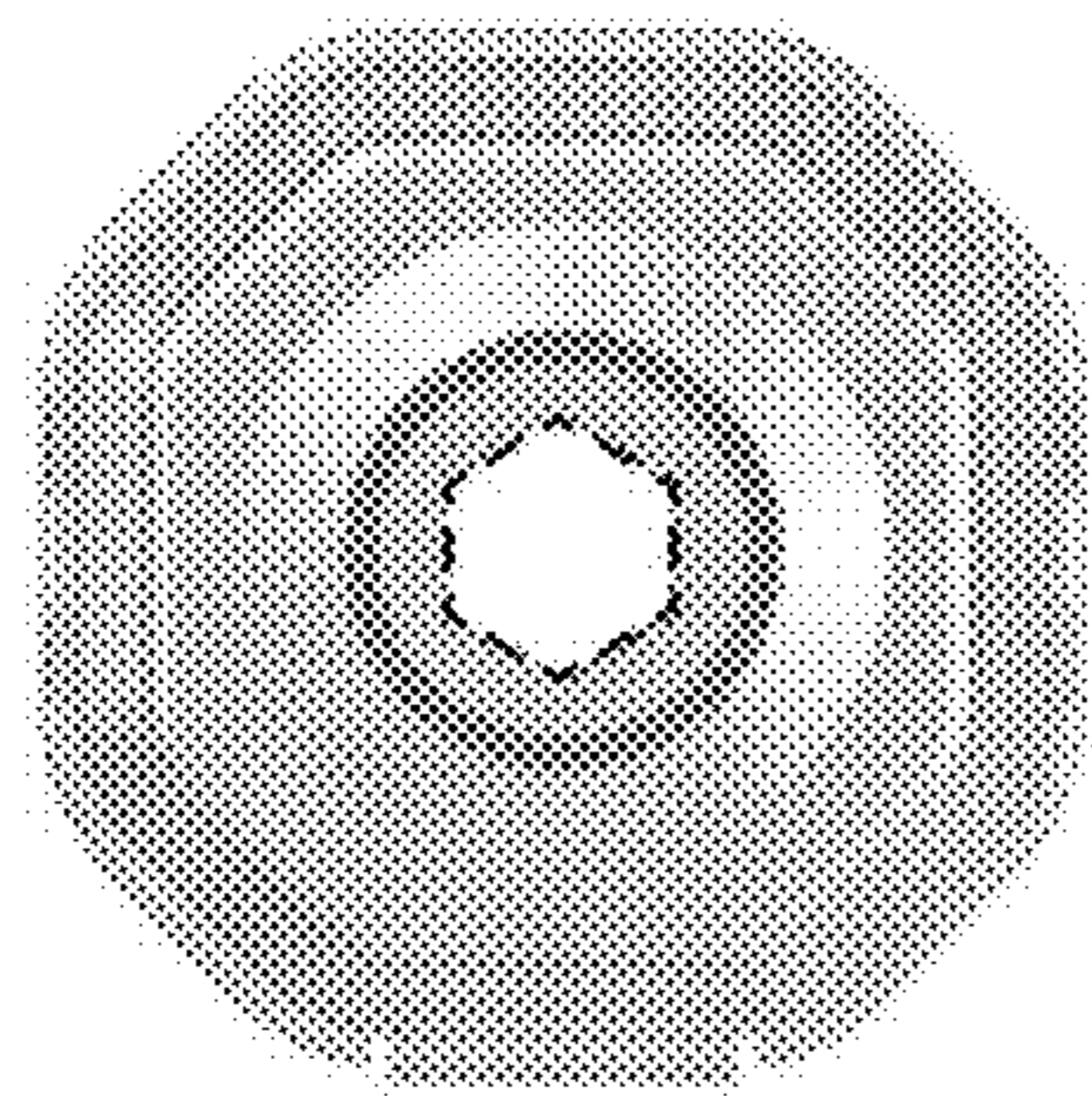
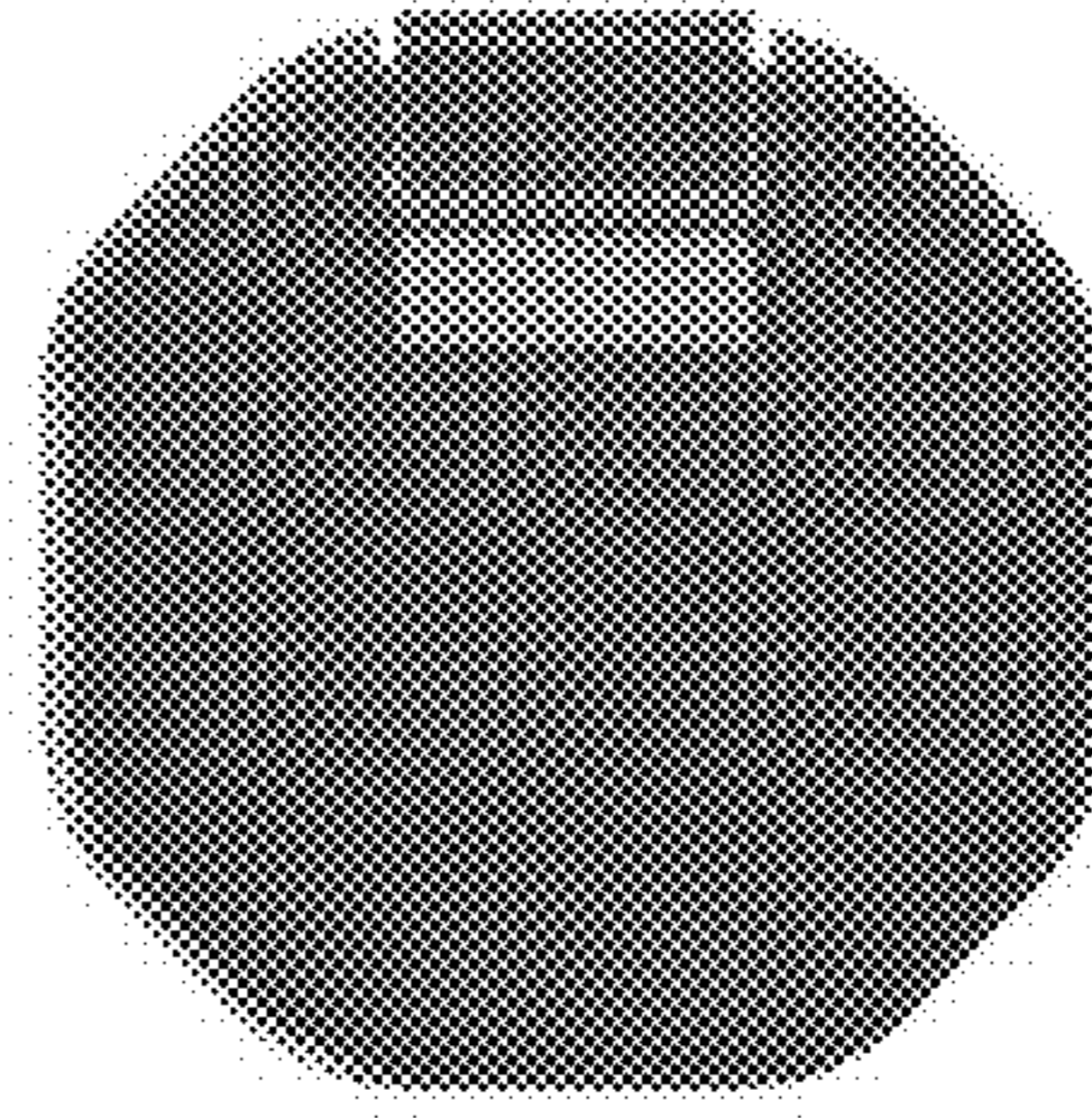


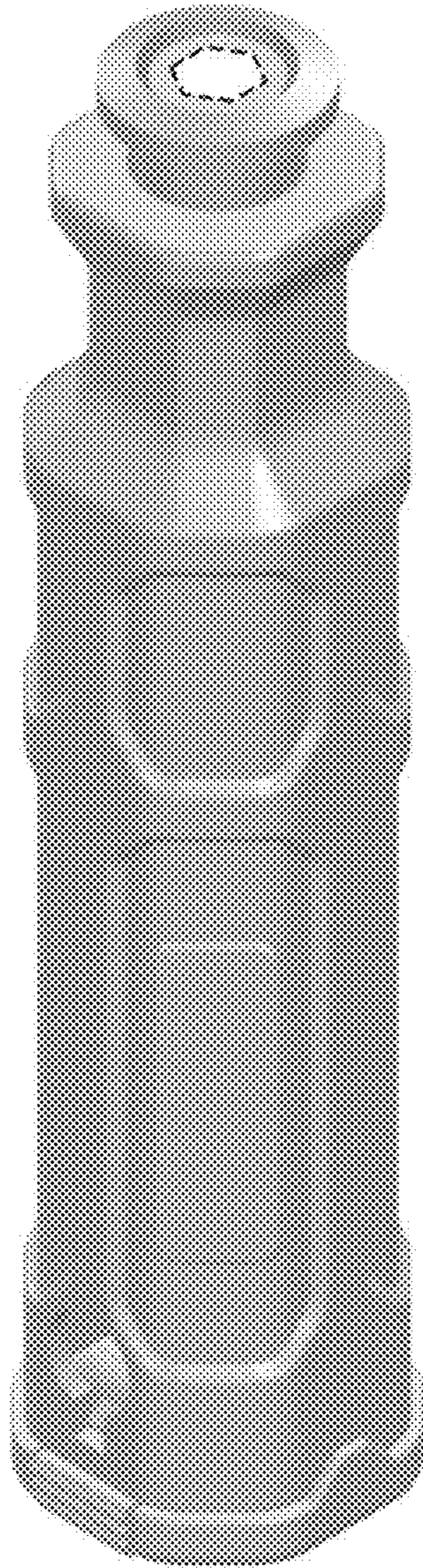
FIG. 4



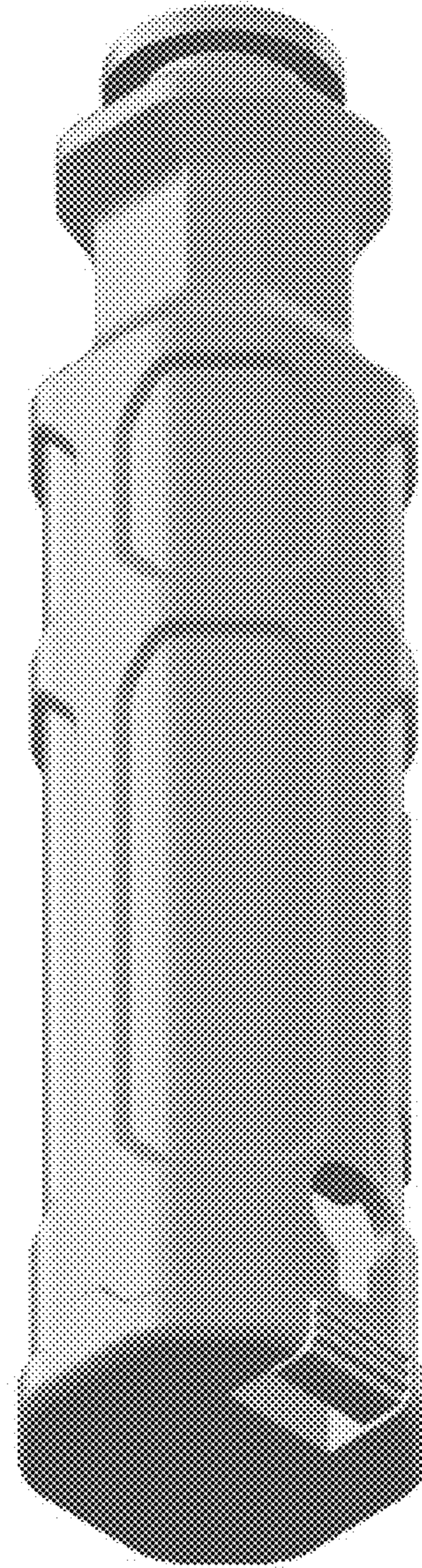
**FIG. 5**



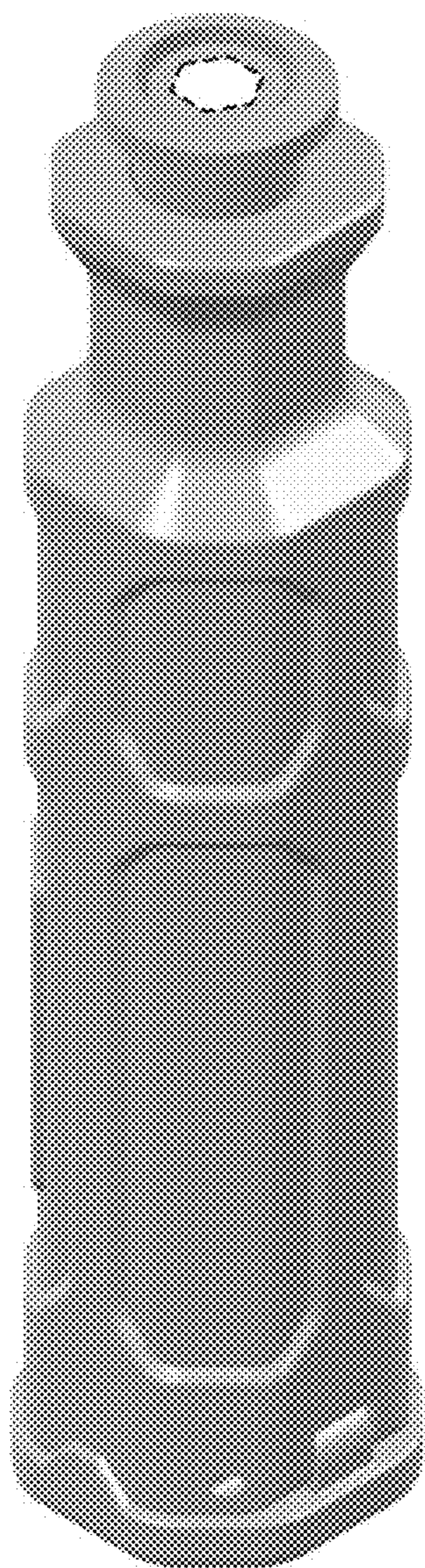
**FIG. 6**



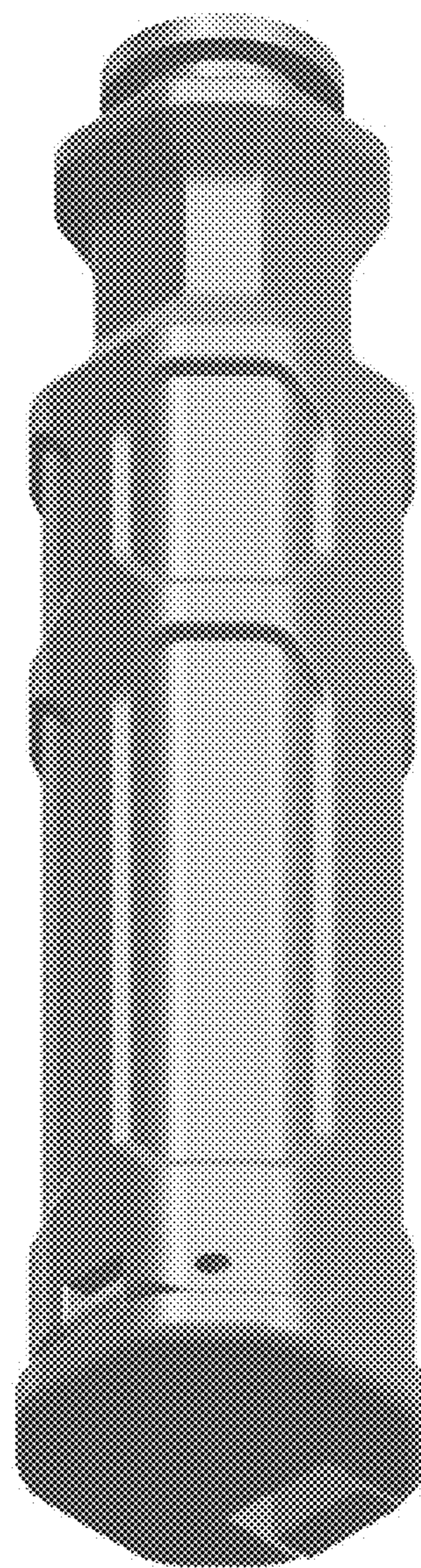
**FIG. 7**



**FIG. 8**



**FIG. 9**



**FIG. 10**

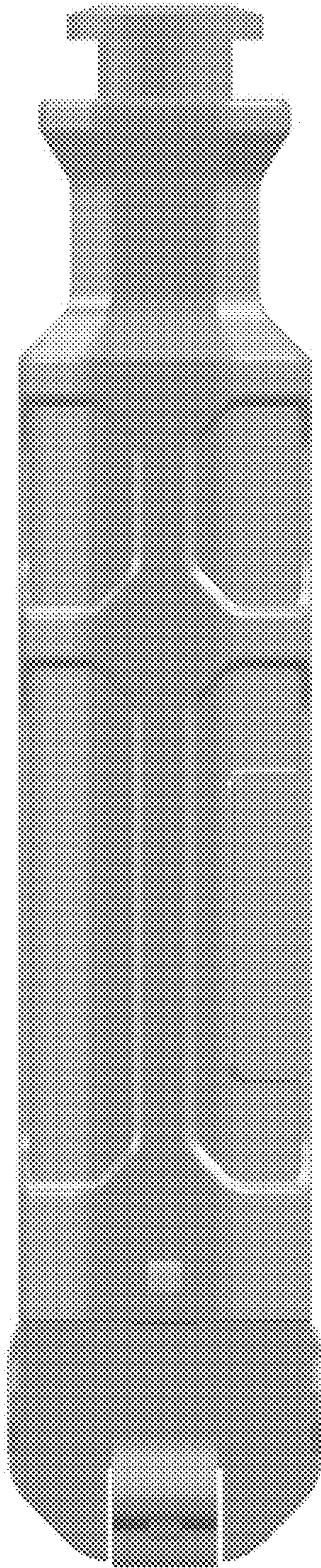


FIG. 11

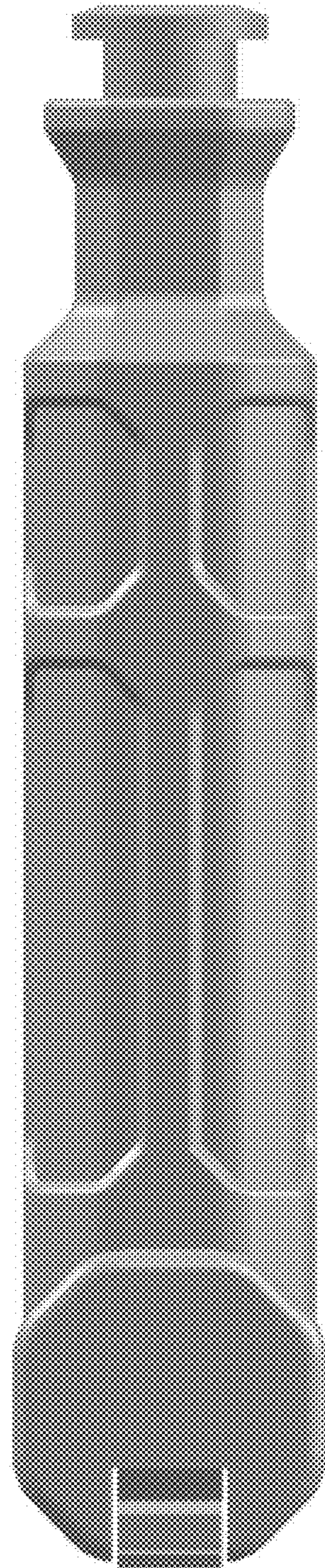


FIG. 12



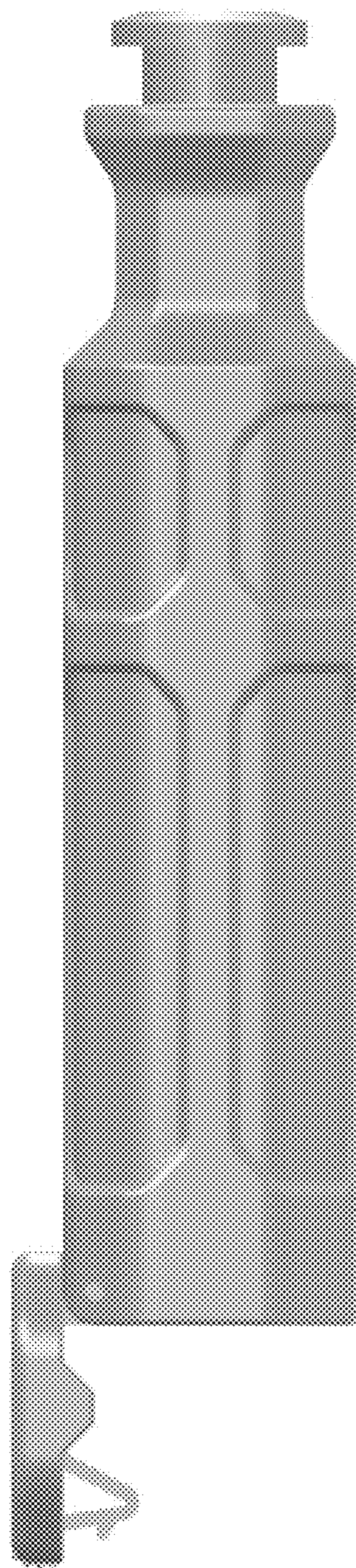


FIG. 13

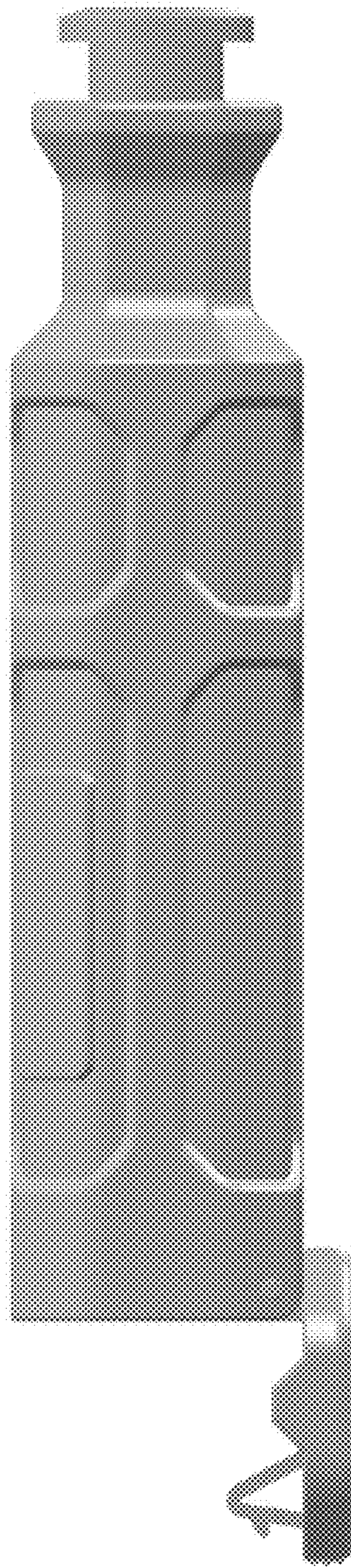
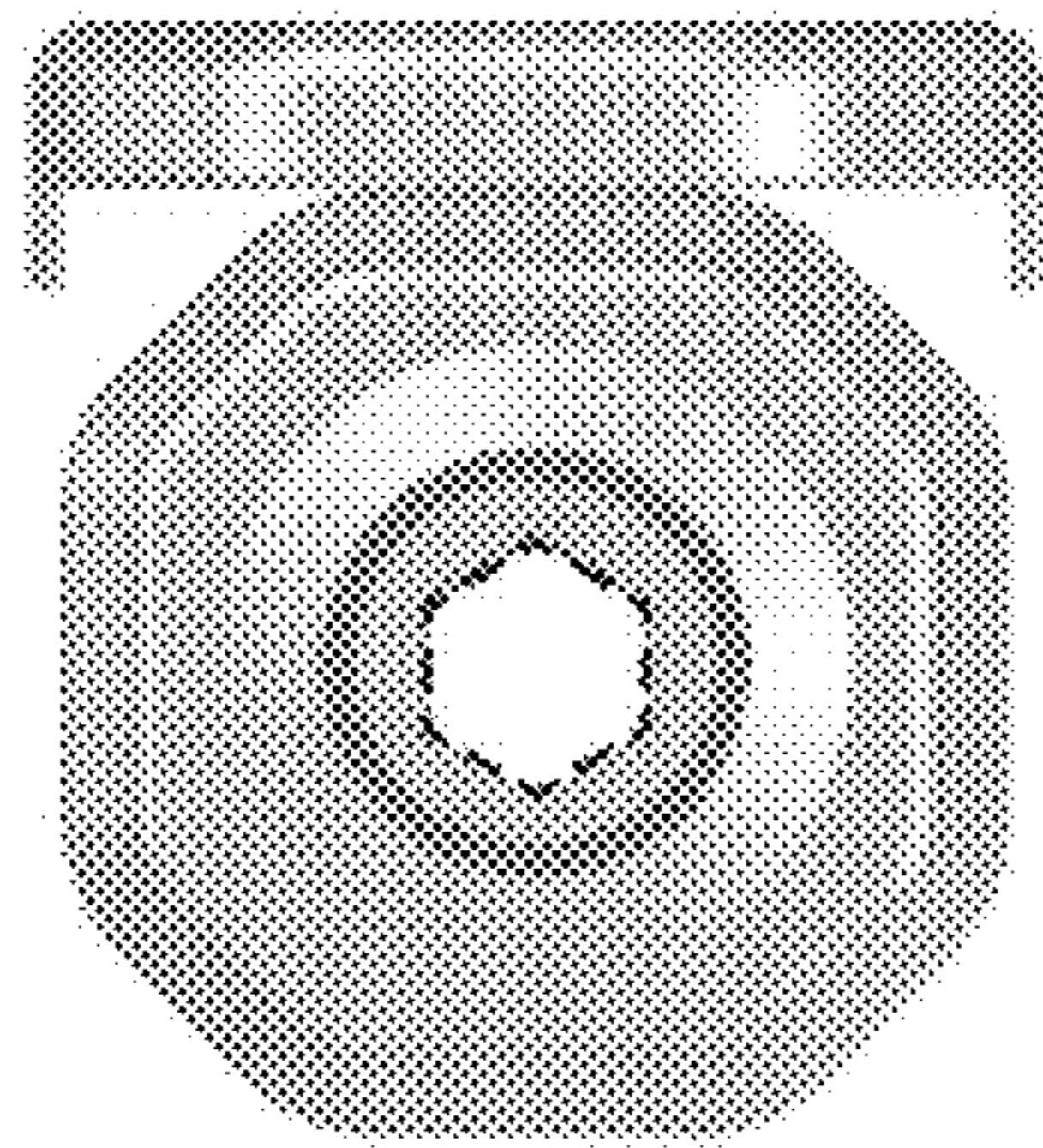
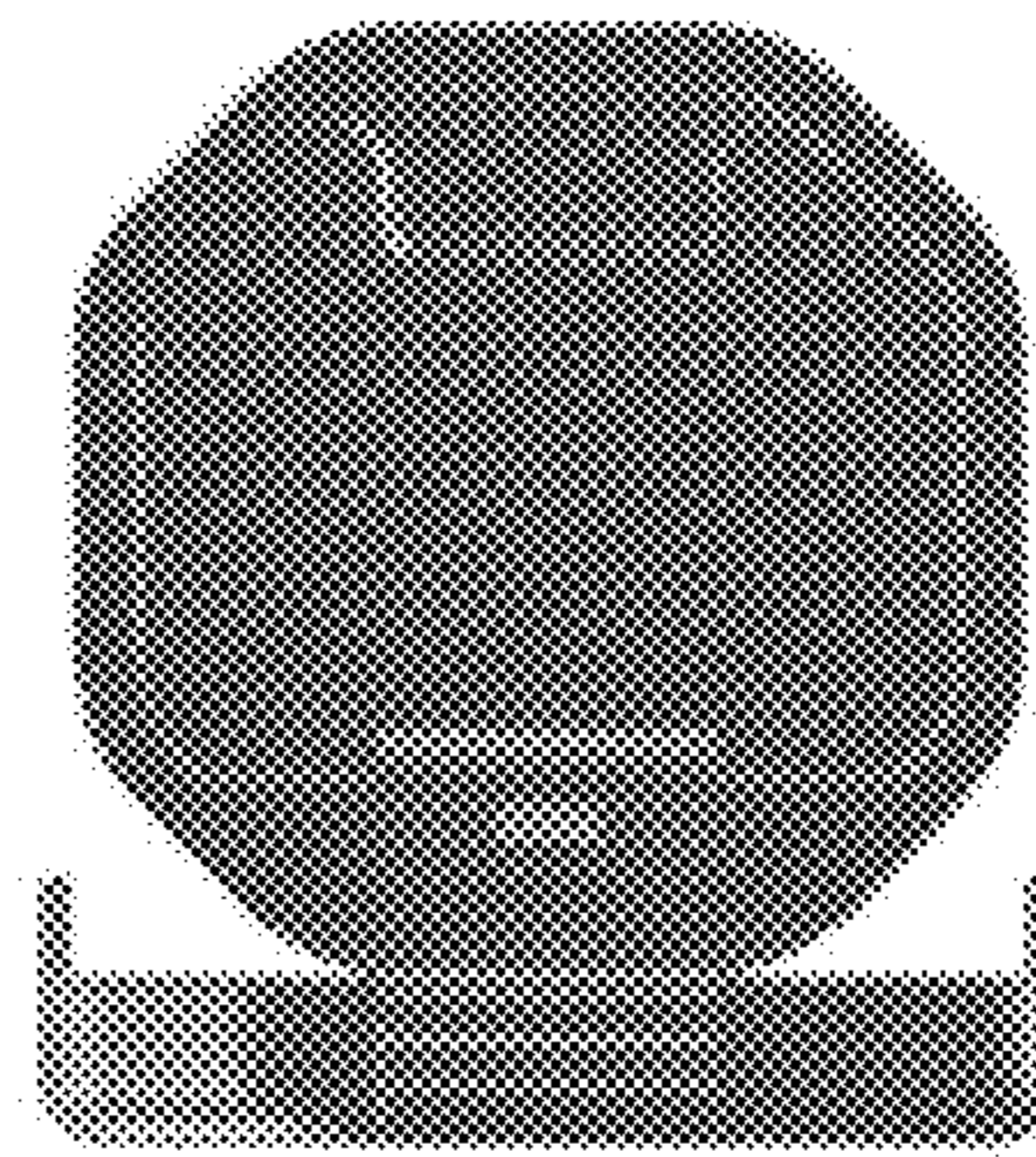


FIG. 14



**FIG. 15**



**FIG. 16**

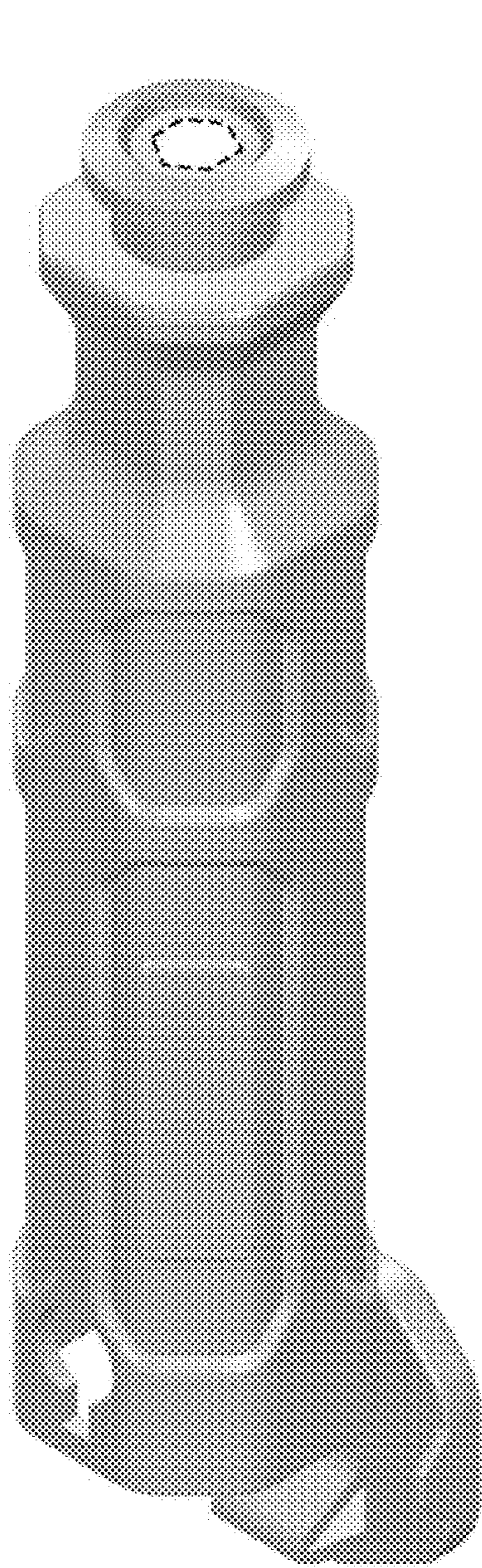


FIG. 17

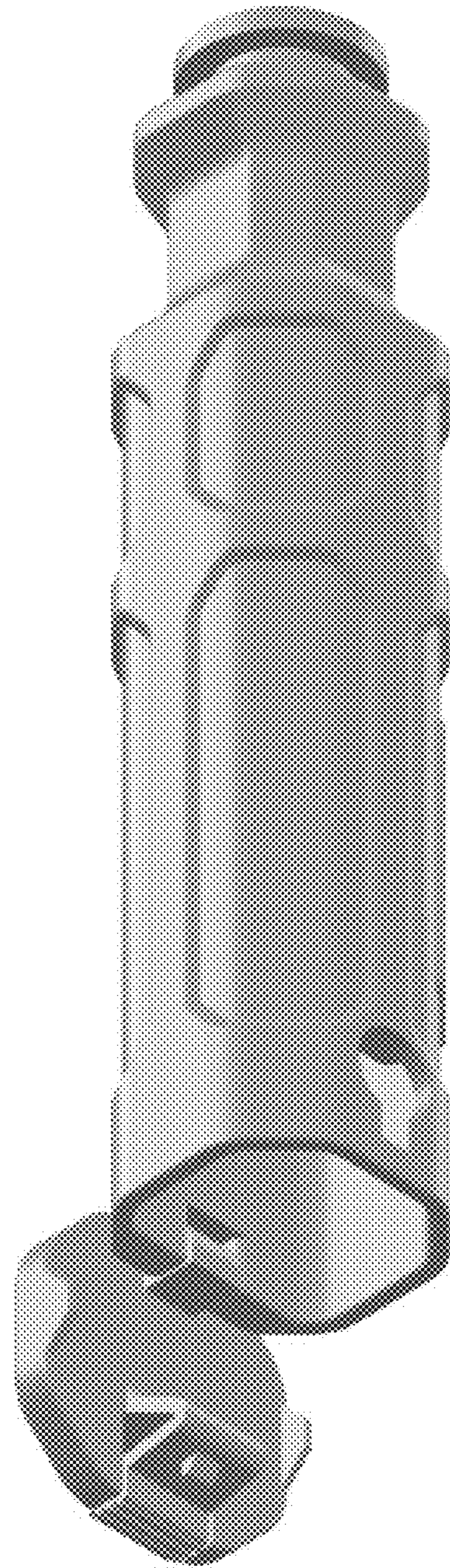
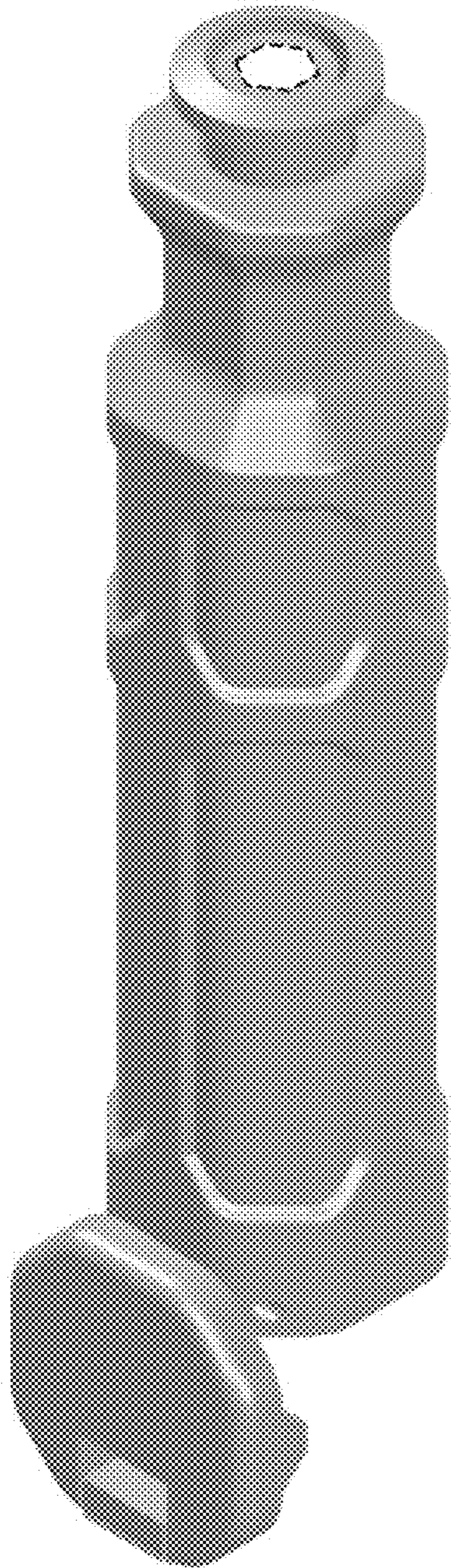
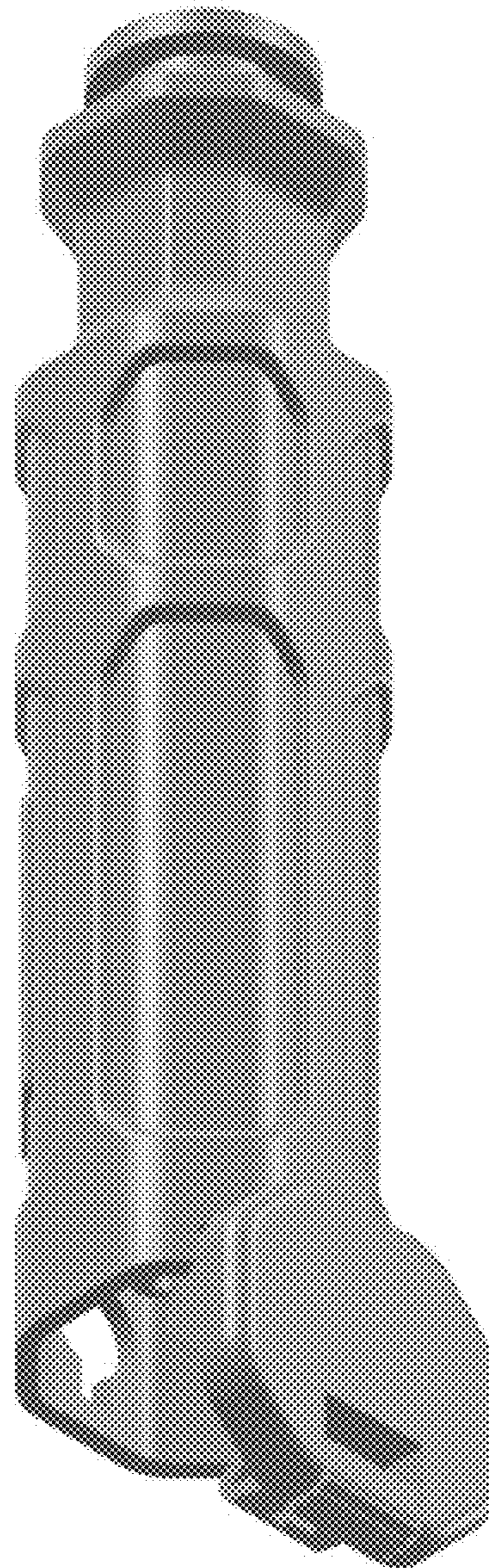


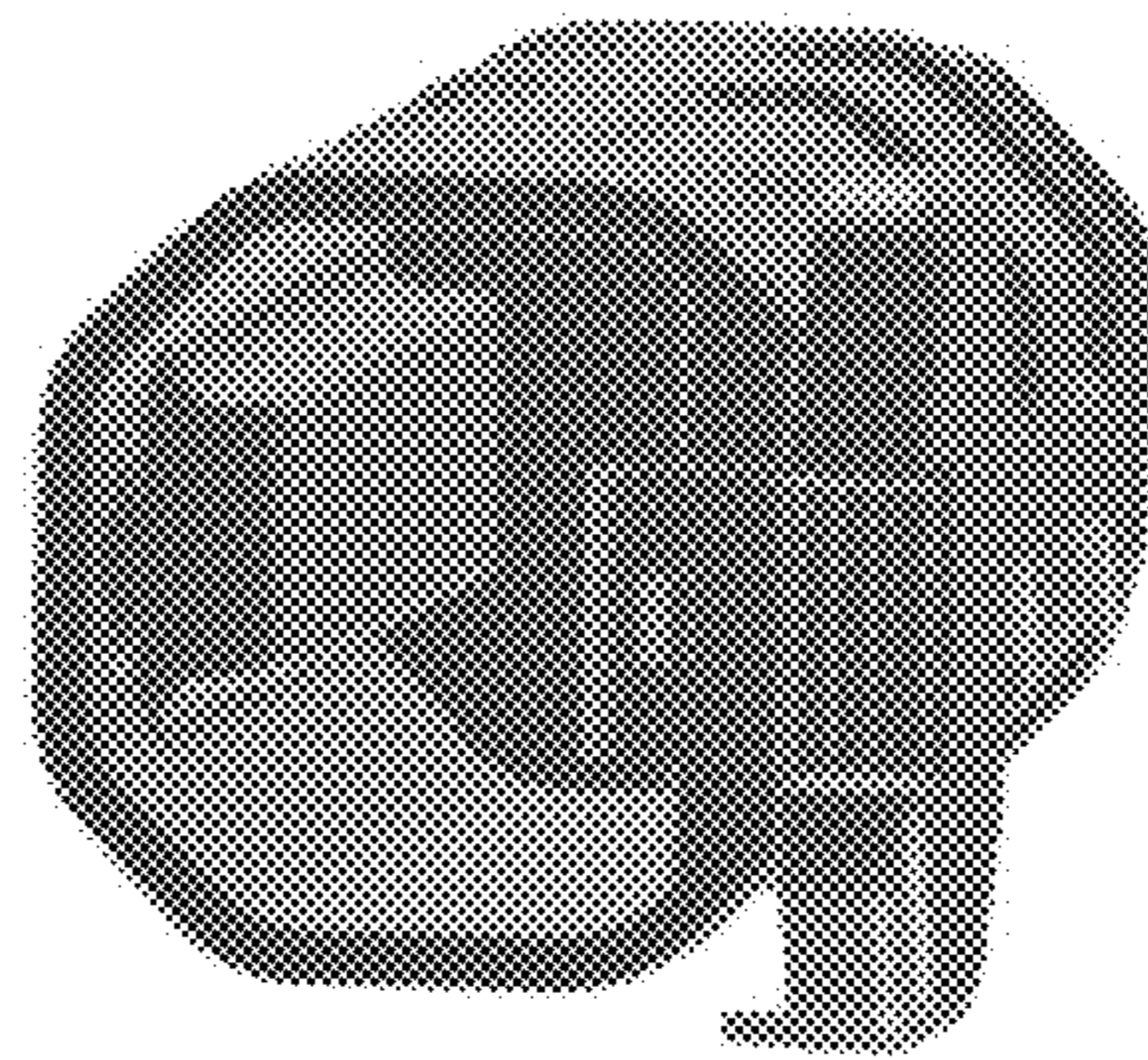
FIG. 18



**FIG. 19**



**FIG. 20**



**FIG. 21**