



US00D891895S

(12) **United States Design Patent**  
**Chen**

(10) **Patent No.:** **US D891,895 S**

(45) **Date of Patent:** **\*\* Aug. 4, 2020**

(54) **HAMMER HEAD**

(71) Applicant: **Shao-Wei Chen**, Taichung (TW)

(72) Inventor: **Shao-Wei Chen**, Taichung (TW)

(\*\*) Term: **15 Years**

(21) Appl. No.: **29/686,021**

(22) Filed: **Apr. 2, 2019**

(51) **LOC (12) Cl.** ..... **08-02**

(52) **U.S. Cl.**  
USPC ..... **D8/78**

(58) **Field of Classification Search**  
USPC ..... D8/75, 76, 77, 78, 79, 80, 81  
CPC ... B25D 1/00; B25D 1/02; B25D 1/04; B25D  
1/045; B25D 1/06; B25D 1/12  
See application file for complete search history.

(56) **References Cited**

U.S. PATENT DOCUMENTS

D465,714 S *	11/2002	Stump	.....	D8/75
D478,264 S *	8/2003	Chen	.....	D8/78
D519,348 S *	4/2006	Chen	.....	D8/75
D540,646 S *	4/2007	Youngren	.....	D8/78
D600,523 S *	9/2009	Adams	.....	D8/75
D601,397 S *	10/2009	Johnsen	.....	D8/75
7,874,231 B2 *	1/2011	Hanlon	.....	B25D 1/12 81/22

D653,925 S *	2/2012	Hung	.....	D8/78
D672,218 S *	12/2012	Youngren	.....	D8/78
8,387,486 B2 *	3/2013	Hanlon	.....	B25D 1/12 81/22
D743,231 S *	11/2015	Chang	.....	D8/78
D777,549 S *	1/2017	Hung	.....	D8/78
D789,760 S *	6/2017	Hung	.....	D8/75

\* cited by examiner

*Primary Examiner* — Philip S Hyder

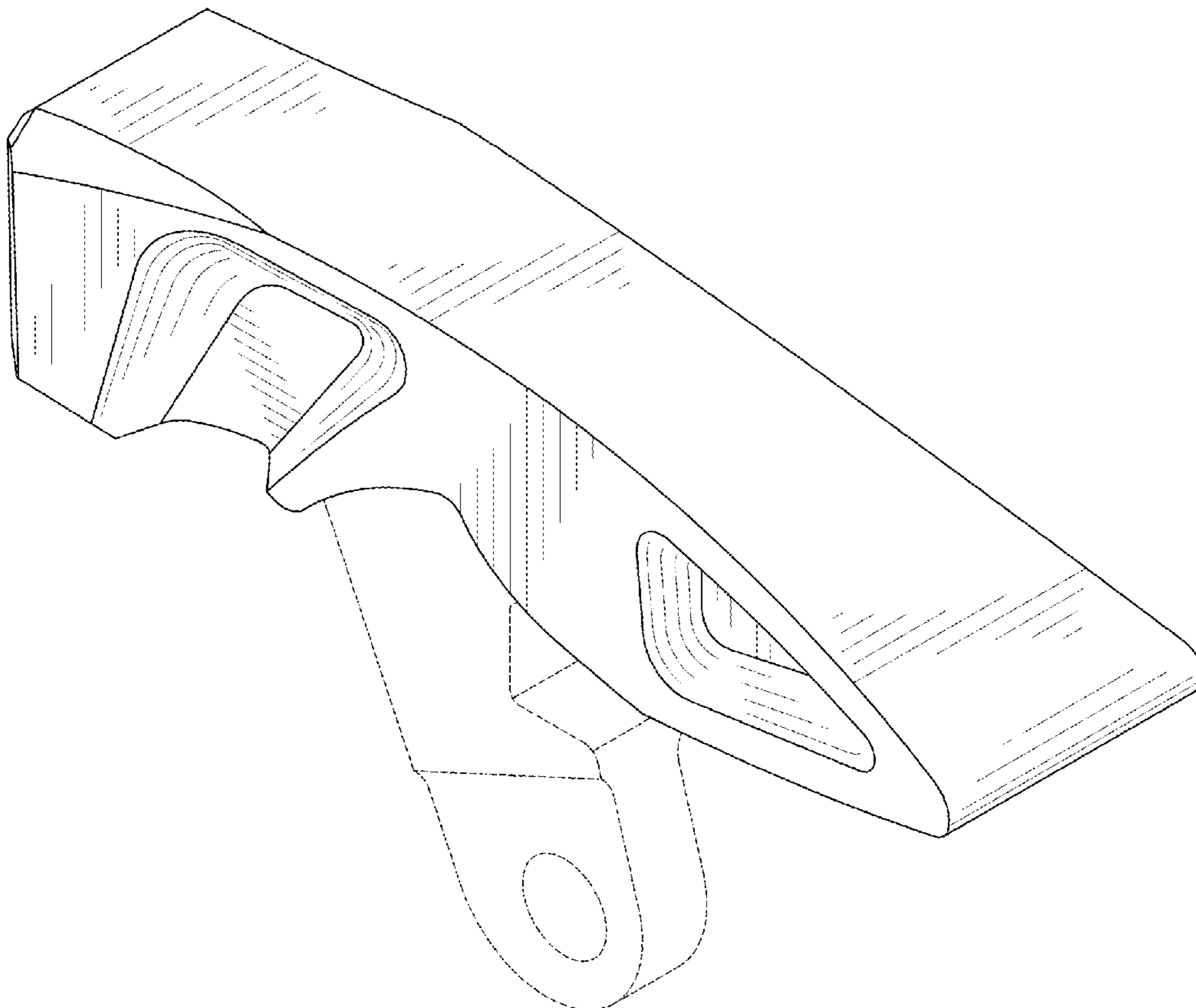
(57) **CLAIM**

The ornamental design for a hammer head, as shown and described.

**DESCRIPTION**

FIG. 1 is a front-right-top perspective view of a hammer head showing my new design;  
 FIG. 2 is a front elevational view thereof;  
 FIG. 3 is a rear elevational view thereof;  
 FIG. 4 is a left side elevational view thereof;  
 FIG. 5 is a right side elevational view thereof;  
 FIG. 6 is a top plan view thereof;  
 FIG. 7 is a bottom plan view thereof; and,  
 FIG. 8 is another perspective view thereof showing a hammer head equipped with the grip handle.  
 The broken lines depict portions of the hammer head in which the design is embodied that are not considered part of the claimed design.

**1 Claim, 6 Drawing Sheets**



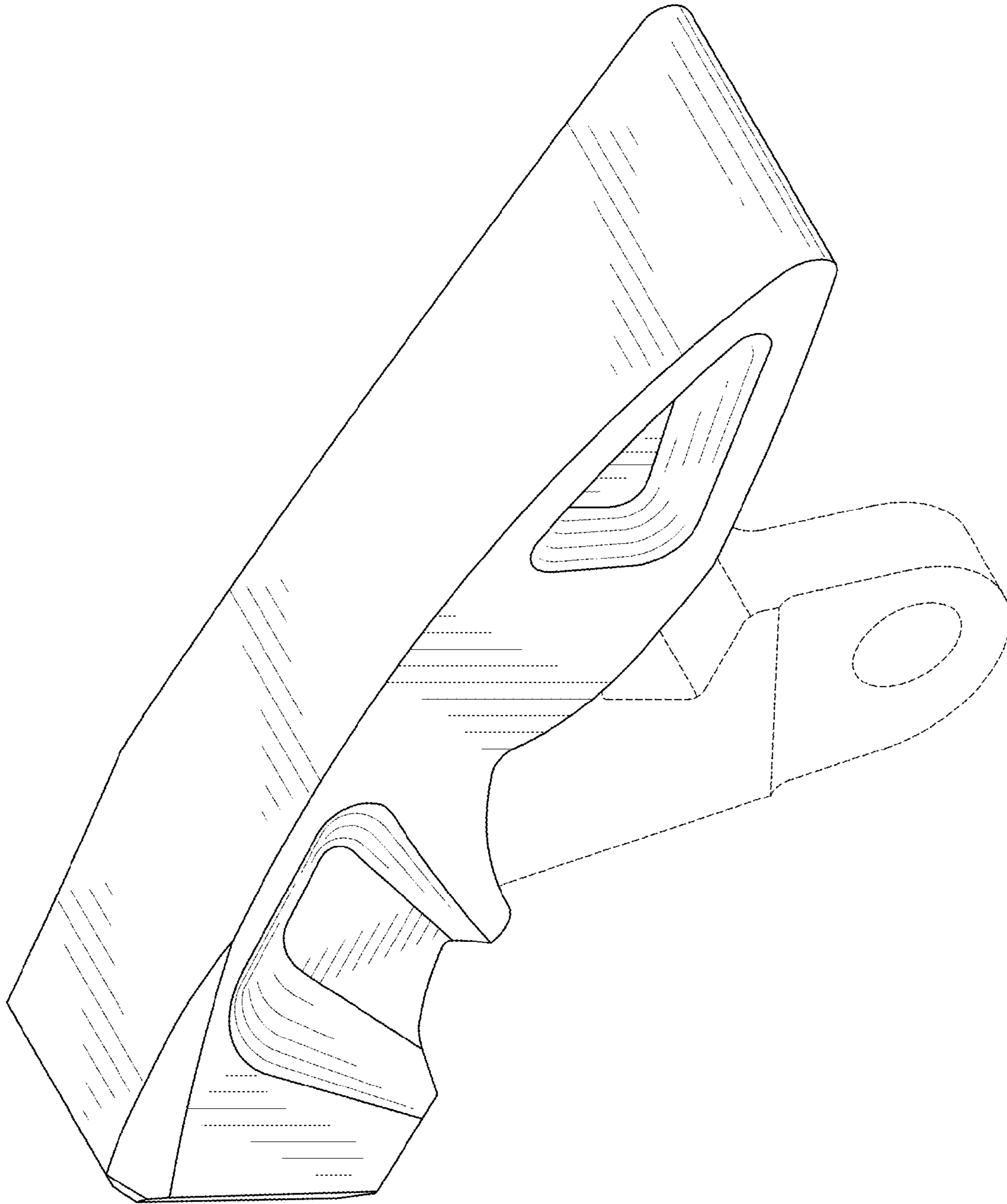


FIG.1

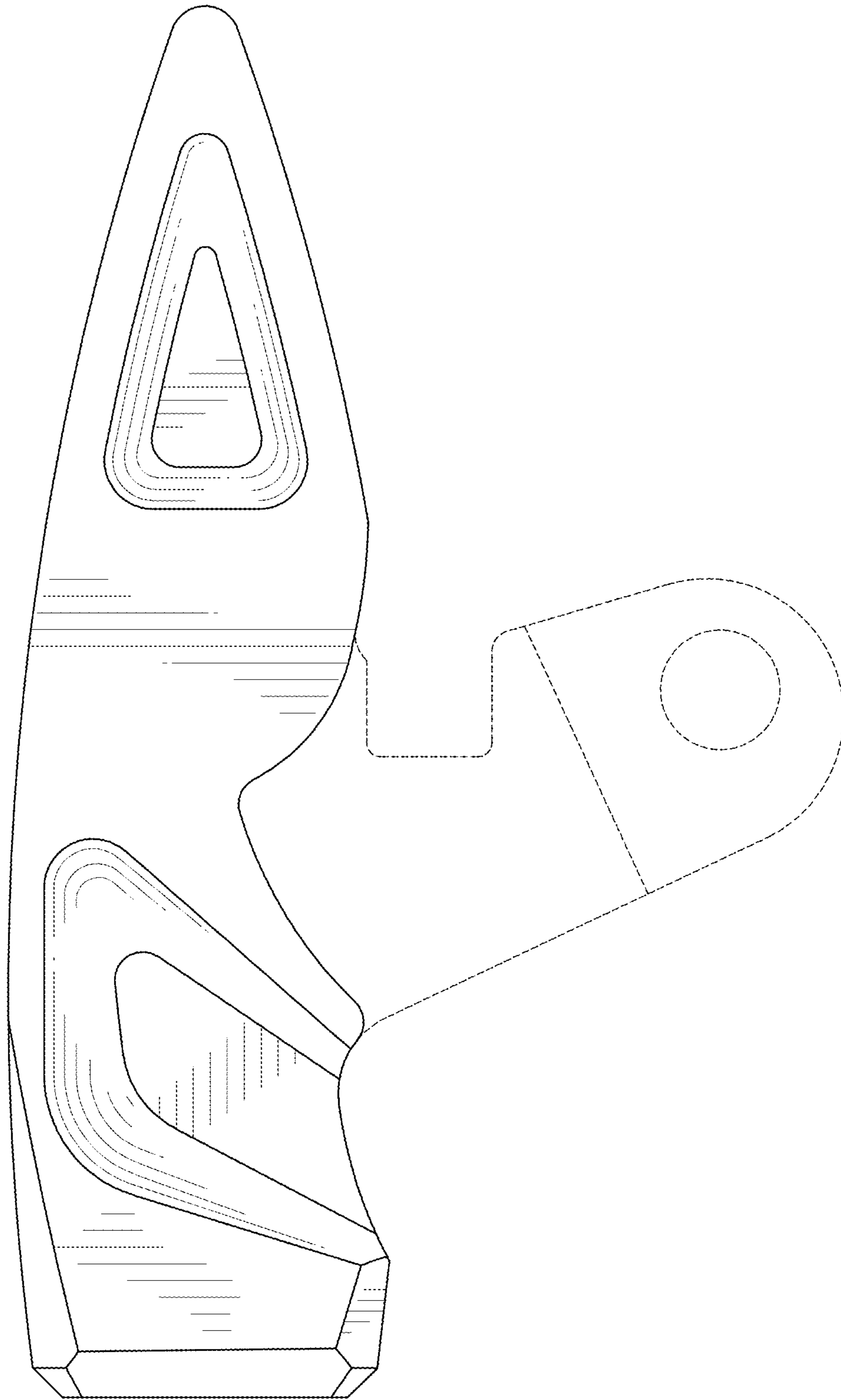


FIG.2

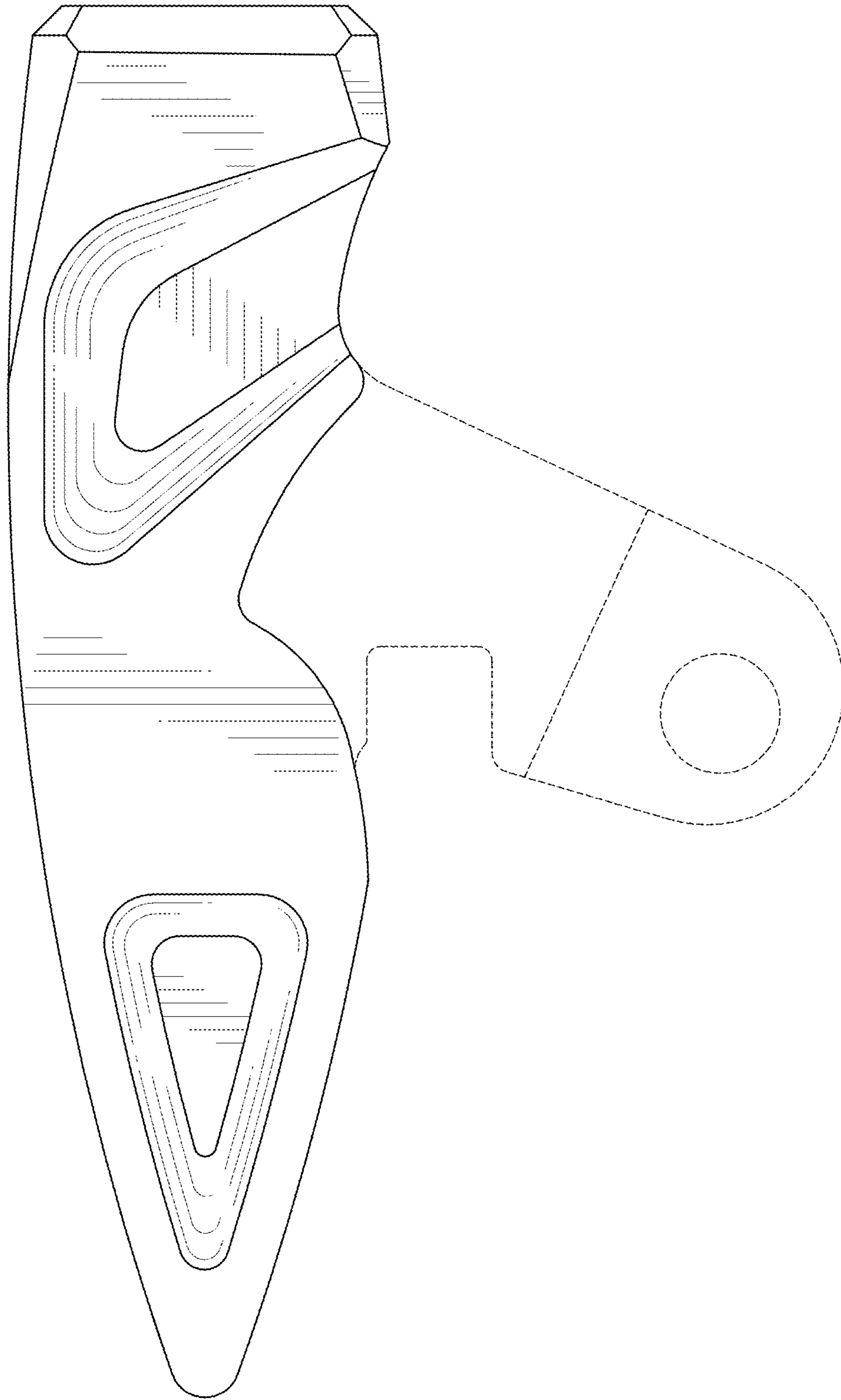


FIG.3

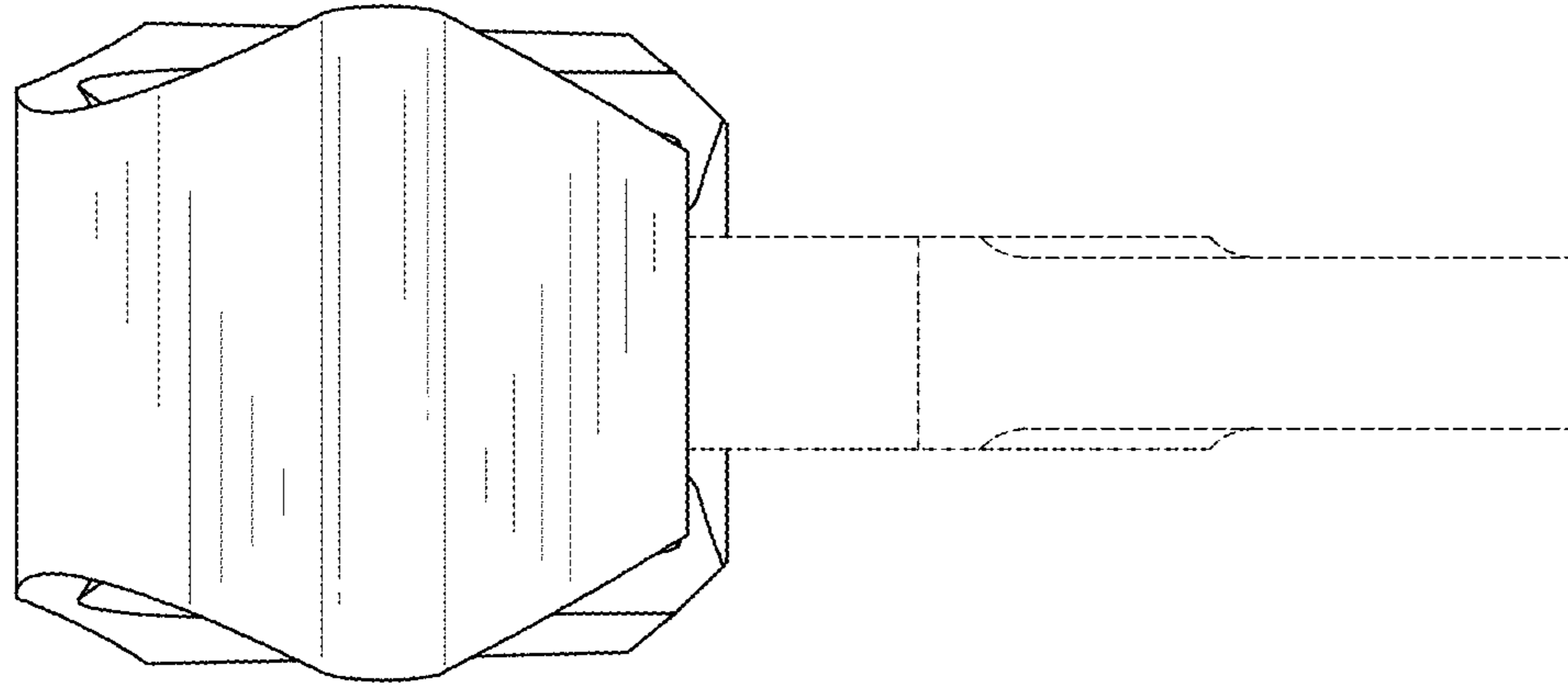


FIG.5

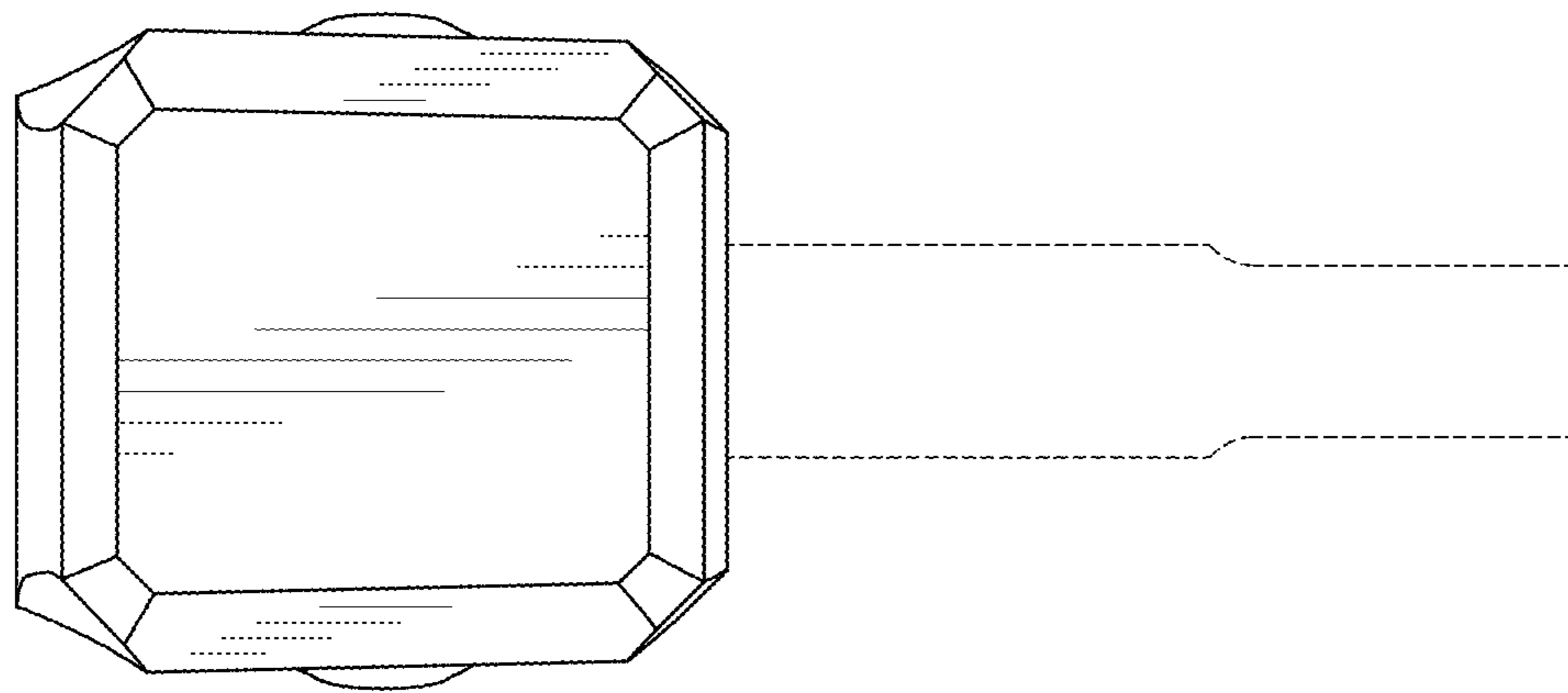


FIG.4

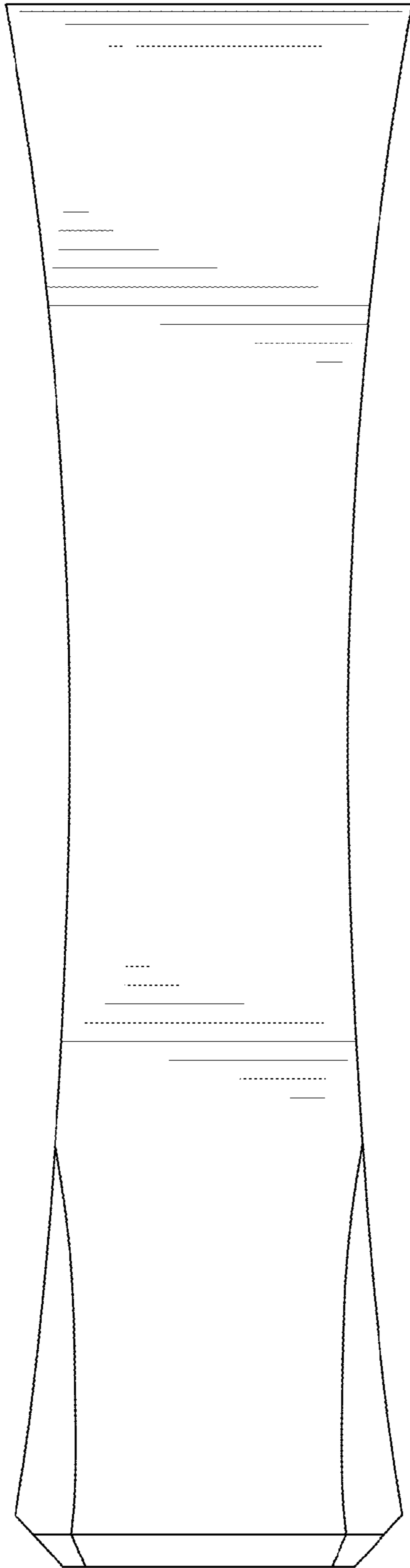


FIG. 6

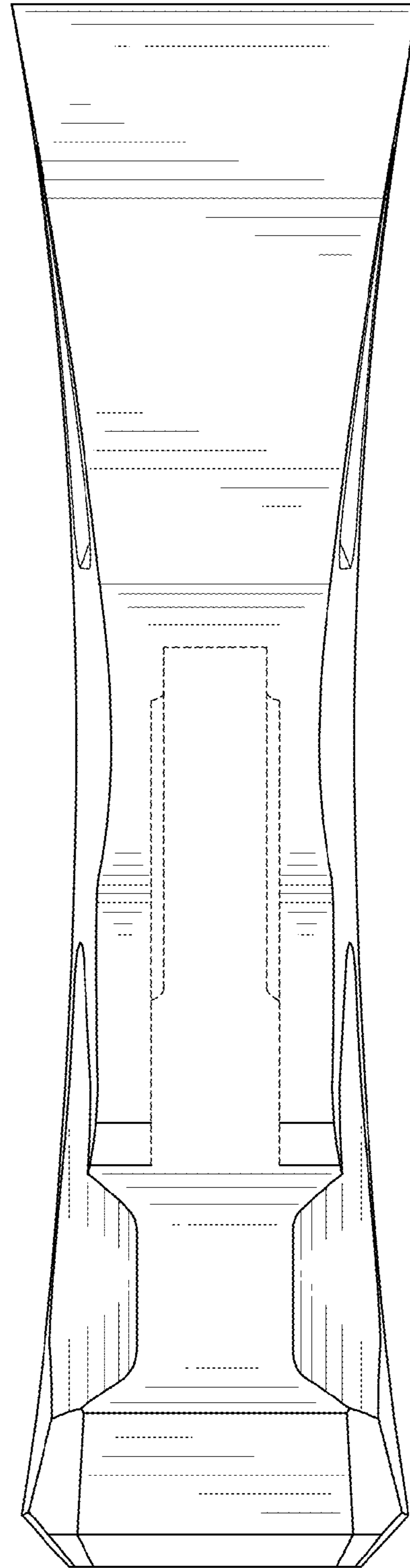


FIG. 7

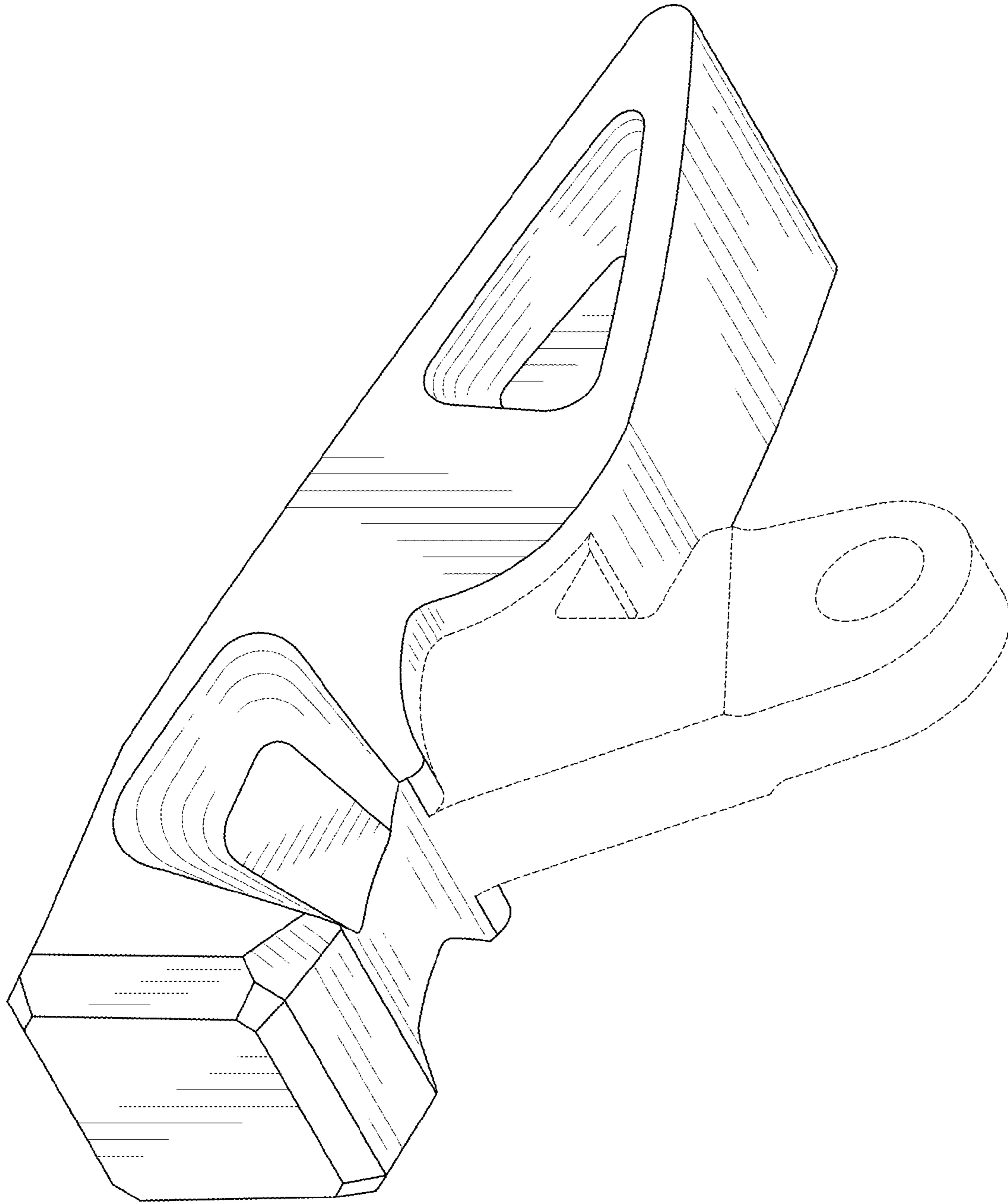


FIG. 8