

US00D891894S

(12) **United States Design Patent**  
**Lin**

(10) **Patent No.:** **US D891,894 S**  
(45) **Date of Patent:** **\*\* Aug. 4, 2020**

- (54) **WINDSHIELD REPAIR KIT**
- (71) Applicant: **Shenzhen GeLiSiTong Technology Co., Ltd, Shenzhen (CN)**
- (72) Inventor: **Hongbao Lin, Guangdong (CN)**
- (\*\*) Term: **15 Years**
- (21) Appl. No.: **29/728,648**
- (22) Filed: **Mar. 20, 2020**
- (51) **LOC (12) Cl.** ..... **08-05**
- (52) **U.S. Cl.**  
USPC ..... **D8/71; D8/51**
- (58) **Field of Classification Search**  
USPC ..... **D8/71, 14, 51, 72**  
CPC ..... **B32B 17/06; B32B 17/10**  
See application file for complete search history.

- 5,565,217 A \* 10/1996 Beckert ..... B29C 73/025  
156/94
- 5,643,609 A \* 7/1997 Jan ..... B29C 73/025  
156/94
- 5,670,180 A \* 9/1997 Mackey ..... B29C 73/025  
264/36.21
- D407,285 S 3/1999 Paolo
- D452,124 S \* 12/2001 Thomas ..... D8/51
- D471,416 S \* 3/2003 Penrod ..... D8/51
- 6,663,371 B2 \* 12/2003 Curl ..... B29C 73/025  
156/94
- 7,354,537 B2 \* 4/2008 Wanstrath ..... B29C 73/025  
264/36.21
- 7,993,121 B1 \* 8/2011 Chan ..... B29C 73/025  
264/36.21

\* cited by examiner

*Primary Examiner* — Keli L Hill  
*Assistant Examiner* — Harold E Blackwell, II  
(74) *Attorney, Agent, or Firm* — ZANIP

(56) **References Cited**

**U.S. PATENT DOCUMENTS**

- 4,775,305 A \* 10/1988 Alexander ..... B29C 73/025  
156/94
- 4,814,185 A \* 3/1989 Jones ..... B29C 73/025  
156/94
- D305,094 S \* 12/1989 McDonald ..... D8/72
- 5,122,042 A \* 6/1992 Einiger ..... B29C 73/025  
156/94
- D332,380 S \* 1/1993 Campfield, Jr. .... D8/51
- D336,227 S \* 6/1993 Campfield, Jr. .... D8/51
- D337,929 S \* 8/1993 Campfield, Jr. .... D8/51
- 5,328,649 A \* 7/1994 Newsome ..... B29C 73/025  
156/94
- D351,543 S \* 10/1994 Callahan ..... D8/51
- 5,407,338 A \* 4/1995 Callahan ..... B29C 73/025  
425/12
- 5,425,827 A \* 6/1995 Campfield ..... B29C 73/08  
156/94
- 5,429,692 A \* 7/1995 Campfield ..... B29C 73/025  
156/166

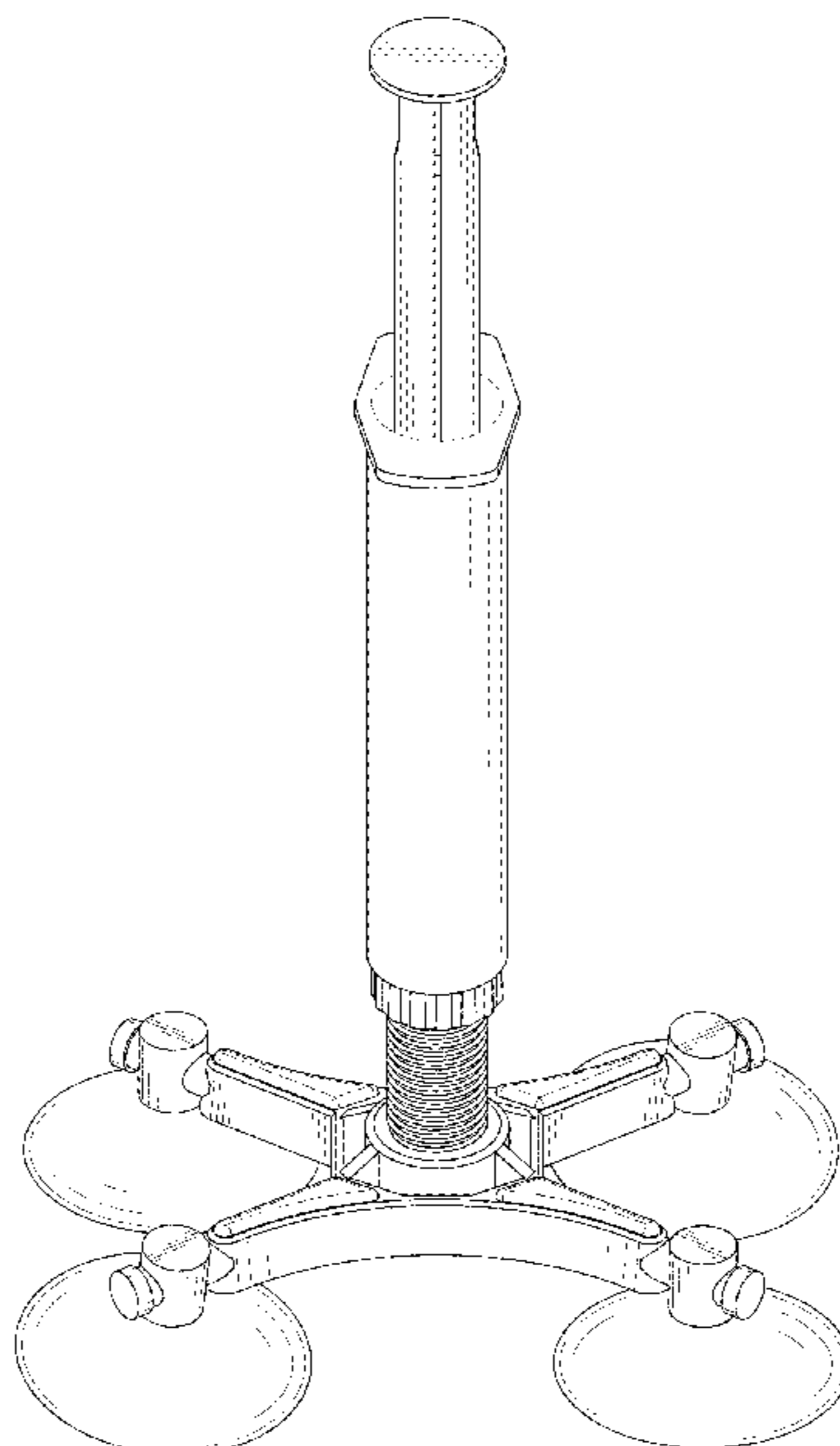
(57) **CLAIM**

The ornamental design for a windshield repair kit, as shown and described.

**DESCRIPTION**

FIG. 1 is a front and top perspective view of a windshield repair kit, showing my new design;  
FIG. 2 is a rear and bottom perspective view thereof;  
FIG. 3 is a front elevational view thereof;  
FIG. 4 is a rear elevational view thereof;  
FIG. 5 is a left side elevational view thereof;  
FIG. 6 is a right side elevational view thereof;  
FIG. 7 is a top plan view thereof; and,  
FIG. 8 is a bottom plan view thereof.  
The broken lines in the figures illustrate portions of the windshield repair kit that form no part of the claimed design.

**1 Claim, 8 Drawing Sheets**



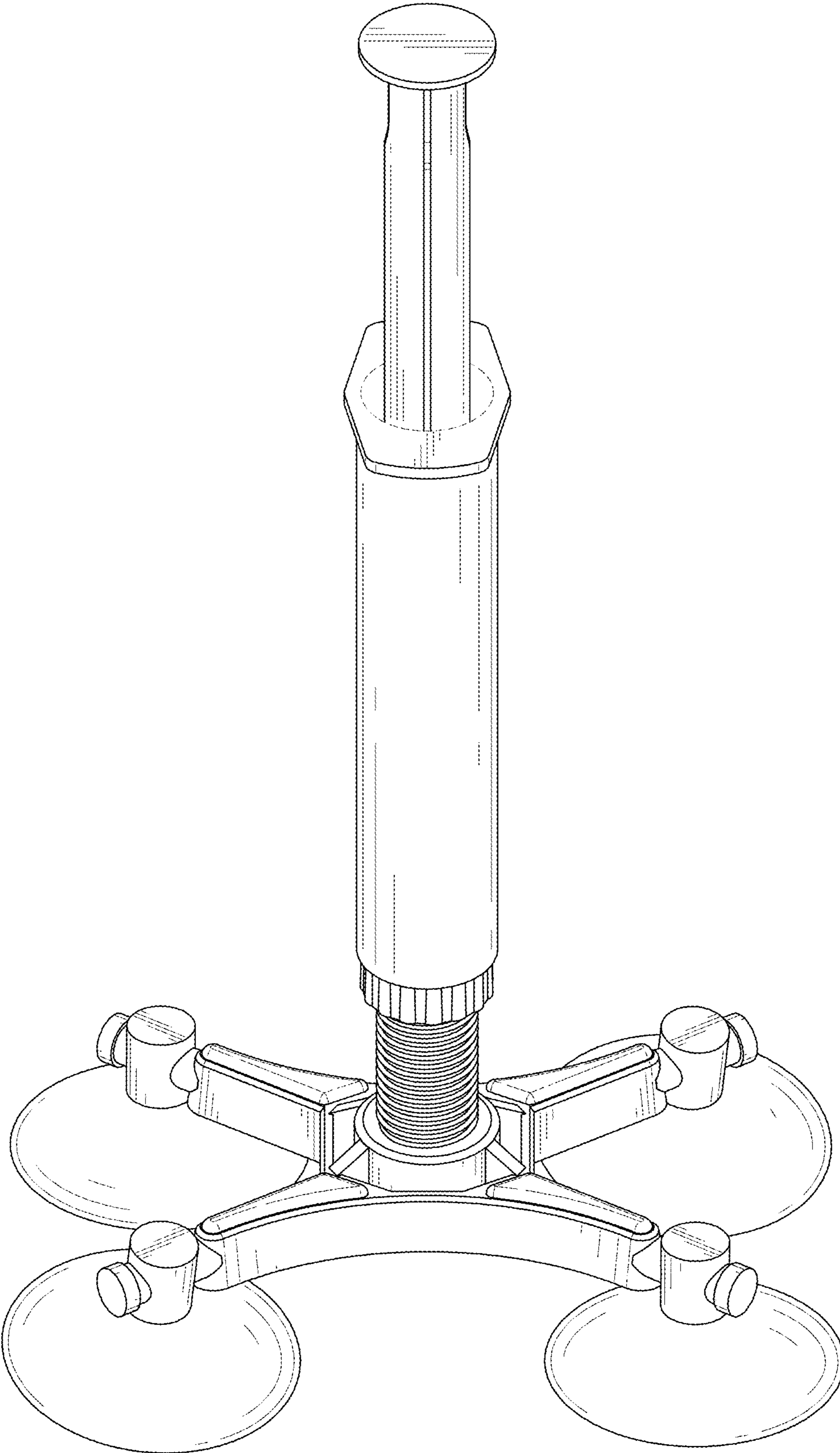


FIG. 1

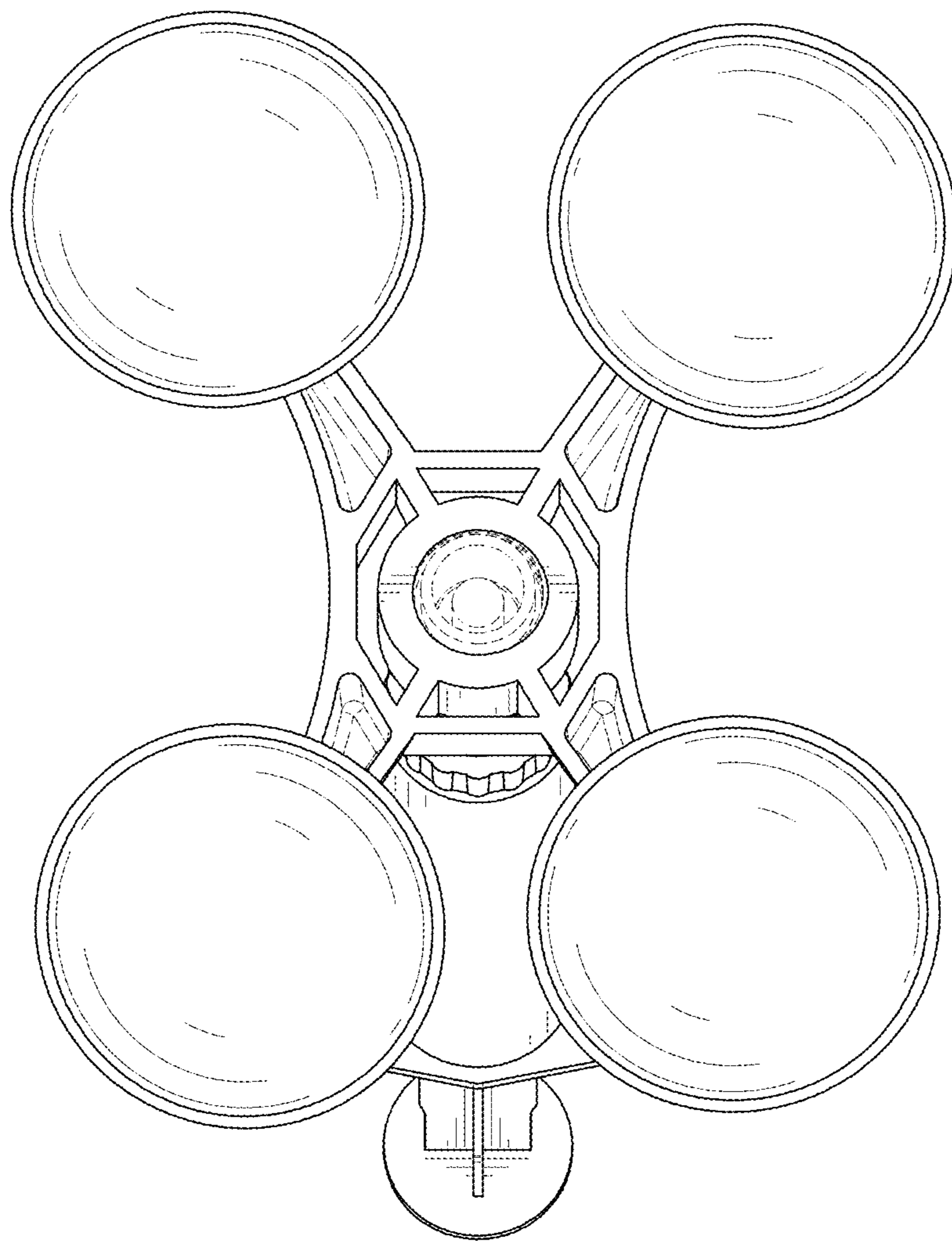


FIG. 2

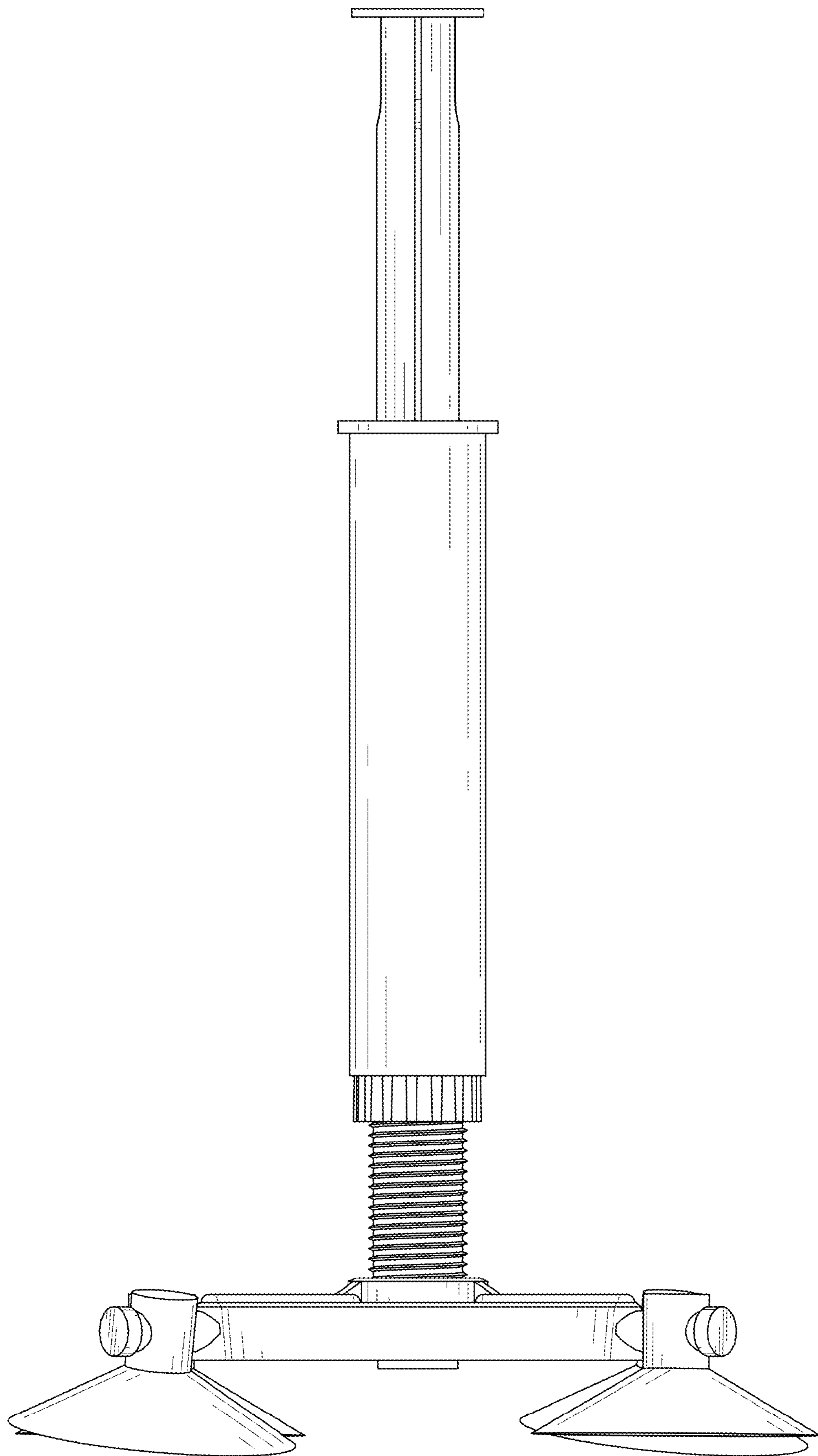


FIG. 3

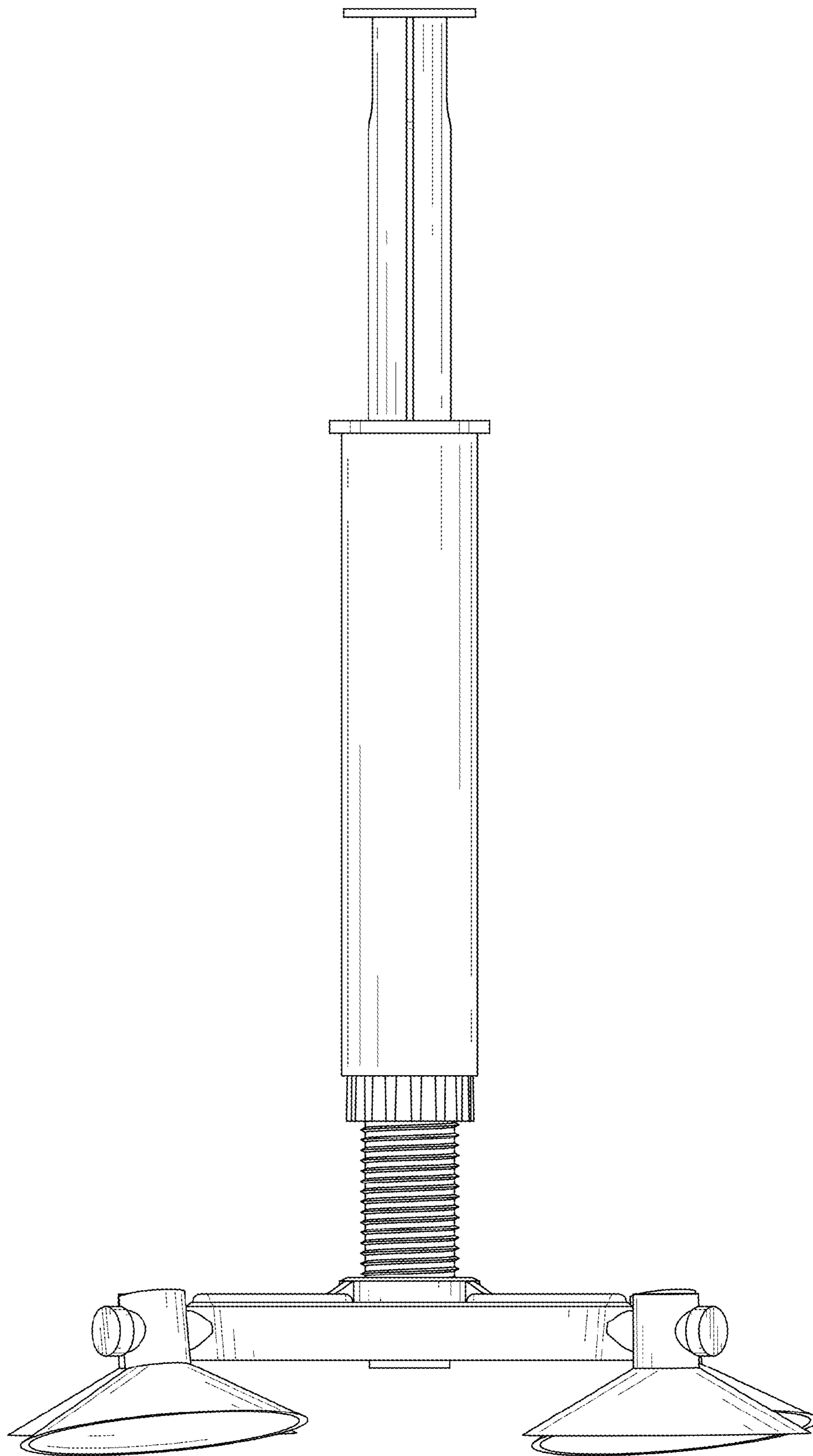


FIG. 4

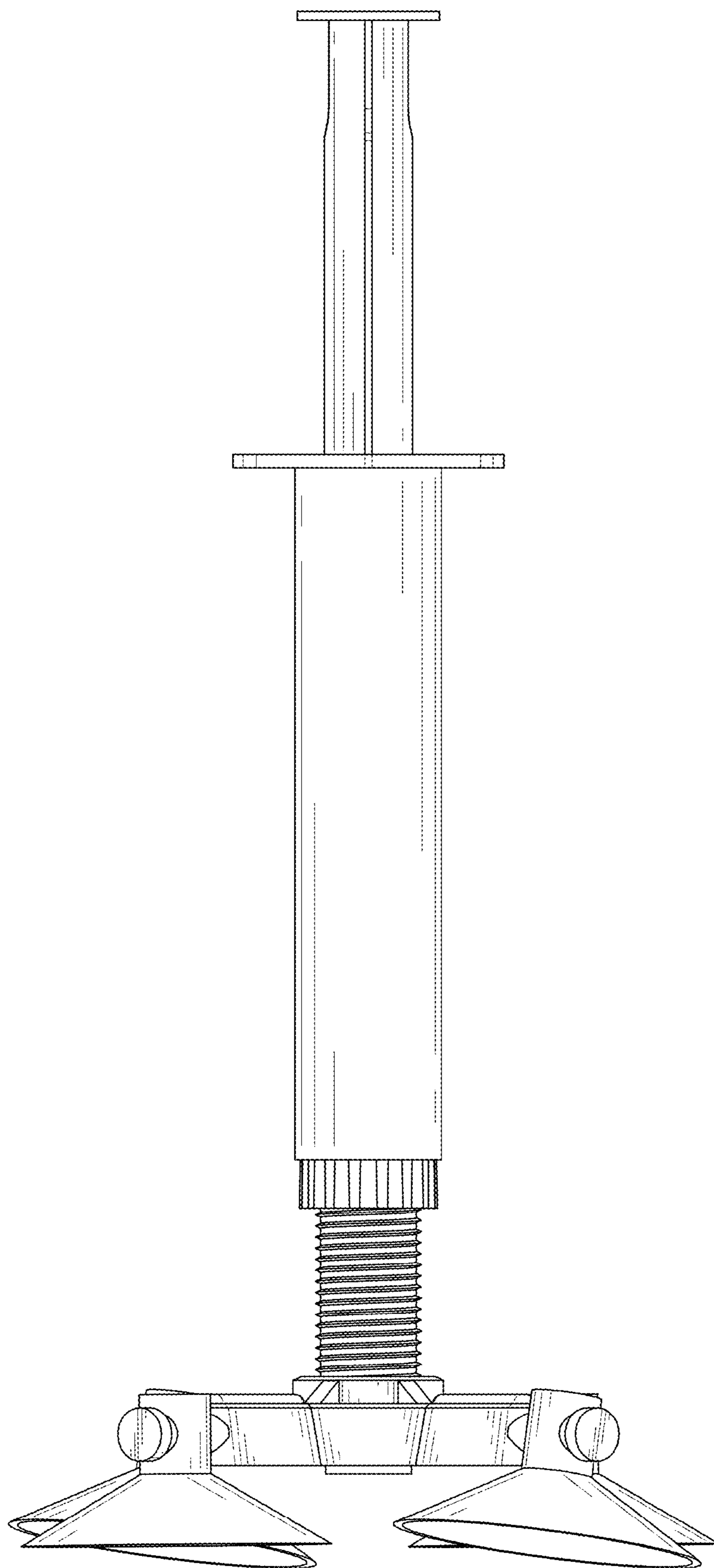


FIG. 5

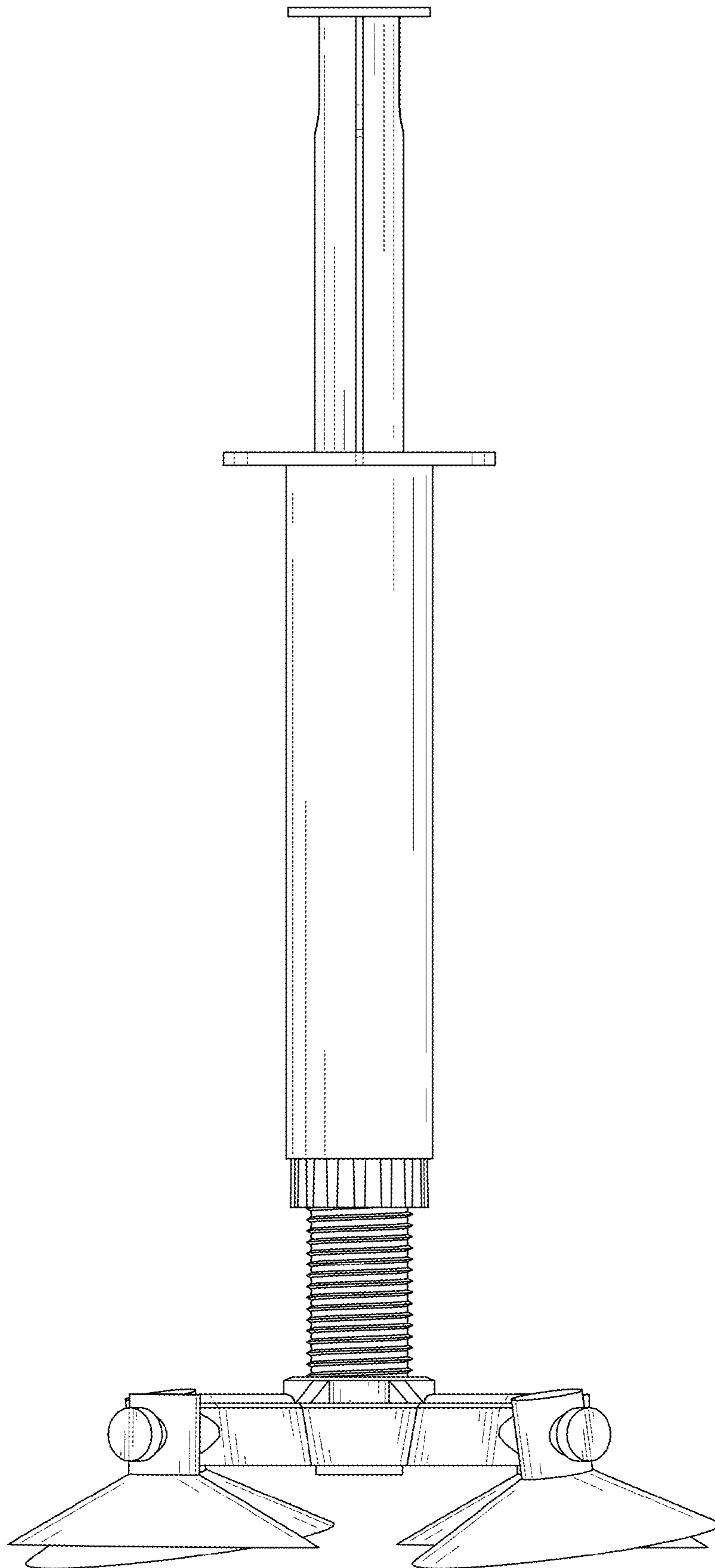


FIG. 6

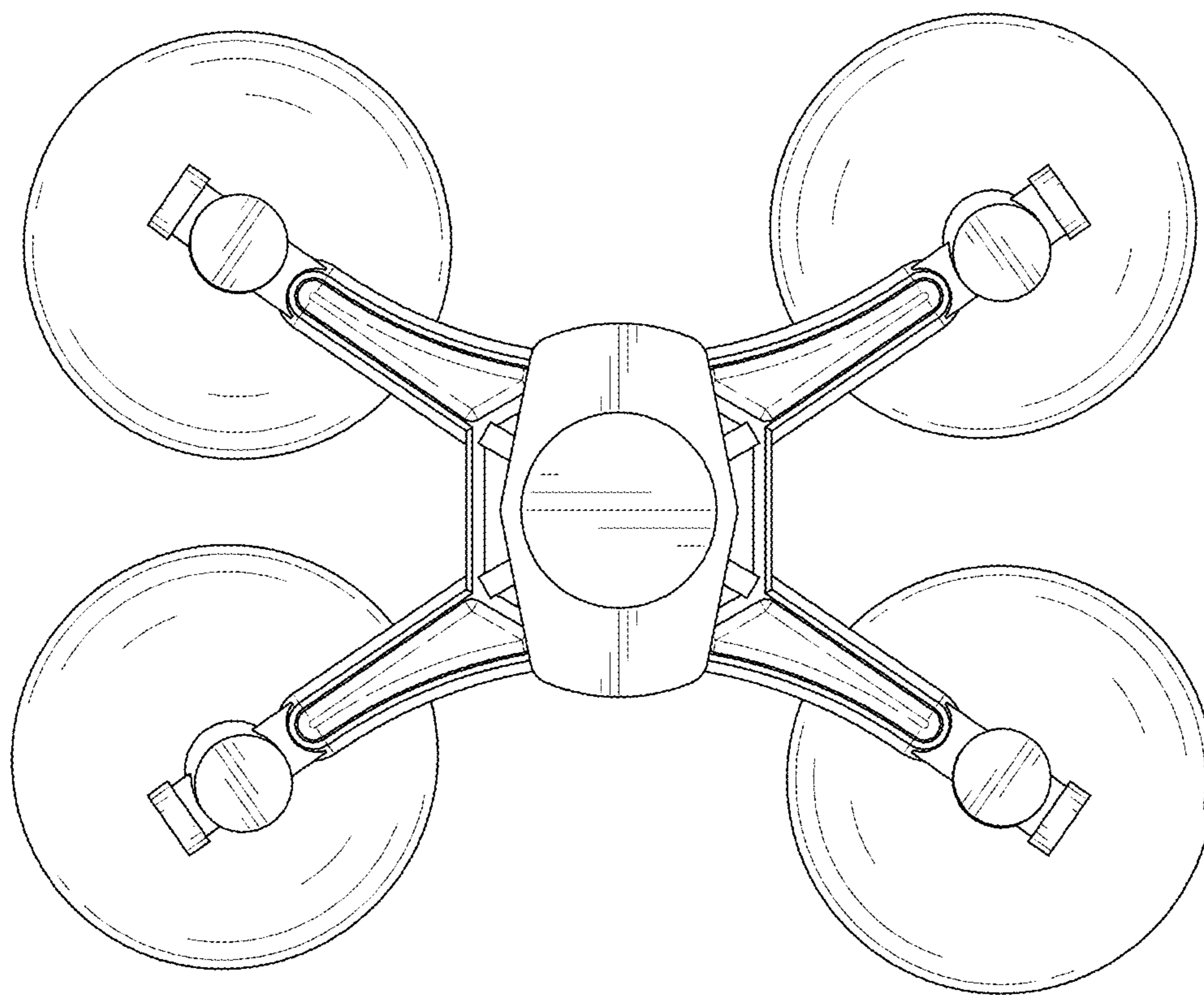


FIG. 7



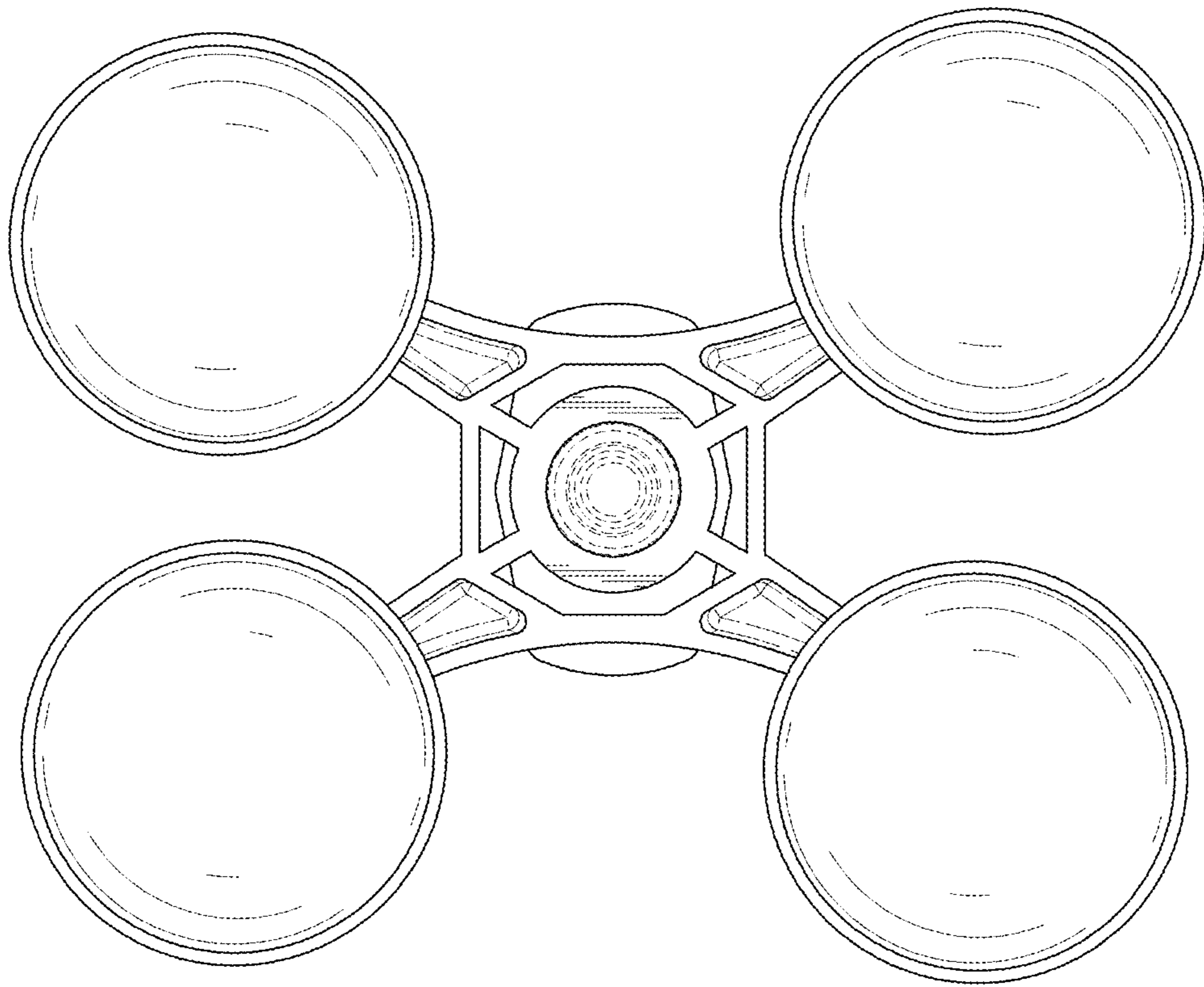


FIG. 8