



US00D891893S

(12) **United States Design Patent** (10) **Patent No.:** **US D891,893 S**  
**Chen** (45) **Date of Patent:** **\*\* Aug. 4, 2020**

(54) **POLISHING PLATE**  
(71) Applicant: **Changzhou Taiyu Rubber & Plastic Co., Ltd, Changzhou (CN)**  
(72) Inventor: **Yu Chen, Changzhou (CN)**  
(73) Assignee: **CHANGZHOU TAIYU RUBBER & PLASTIC CO., LTD, Changzhou (CN)**  
(\*\*) Term: **15 Years**  
(21) Appl. No.: **29/678,256**  
(22) Filed: **Jan. 28, 2019**

6,206,771 B1 \* 3/2001 Lehman ..... B24B 23/03  
451/345  
6,641,627 B2 \* 11/2003 Keipert ..... B24D 3/32  
51/296  
6,830,506 B2 \* 12/2004 Catalfamo ..... B24D 9/085  
451/344  
D503,602 S \* 4/2005 Hede ..... D8/70  
D506,376 S \* 6/2005 Hede ..... D8/70  
D509,121 S \* 9/2005 Hede ..... D8/70  
7,094,138 B2 \* 8/2006 Chang ..... B24B 55/10  
451/359  
D580,728 S \* 11/2008 Umbrell ..... D8/70  
D657,404 S \* 4/2012 Brandstetter ..... D15/126  
D708,497 S \* 7/2014 Hoglund ..... D8/70

\* cited by examiner

*Primary Examiner* — Darlington Ly  
(74) *Attorney, Agent, or Firm* — Bayramoglu Law Offices LLC

(30) **Foreign Application Priority Data**  
Nov. 22, 2018 (CN) ..... 2018 3 0665364  
(51) **LOC (12) Cl.** ..... **08-05**  
(52) **U.S. Cl.**  
USPC ..... **D8/70; D15/126**  
(58) **Field of Classification Search**  
USPC ..... D8/20, 61, 62, 63, 70; D15/124, 125,  
D15/126, 132, 138, 139, 140  
CPC ..... B24D 9/08; B24B 55/102  
See application file for complete search history.

(57) **CLAIM**

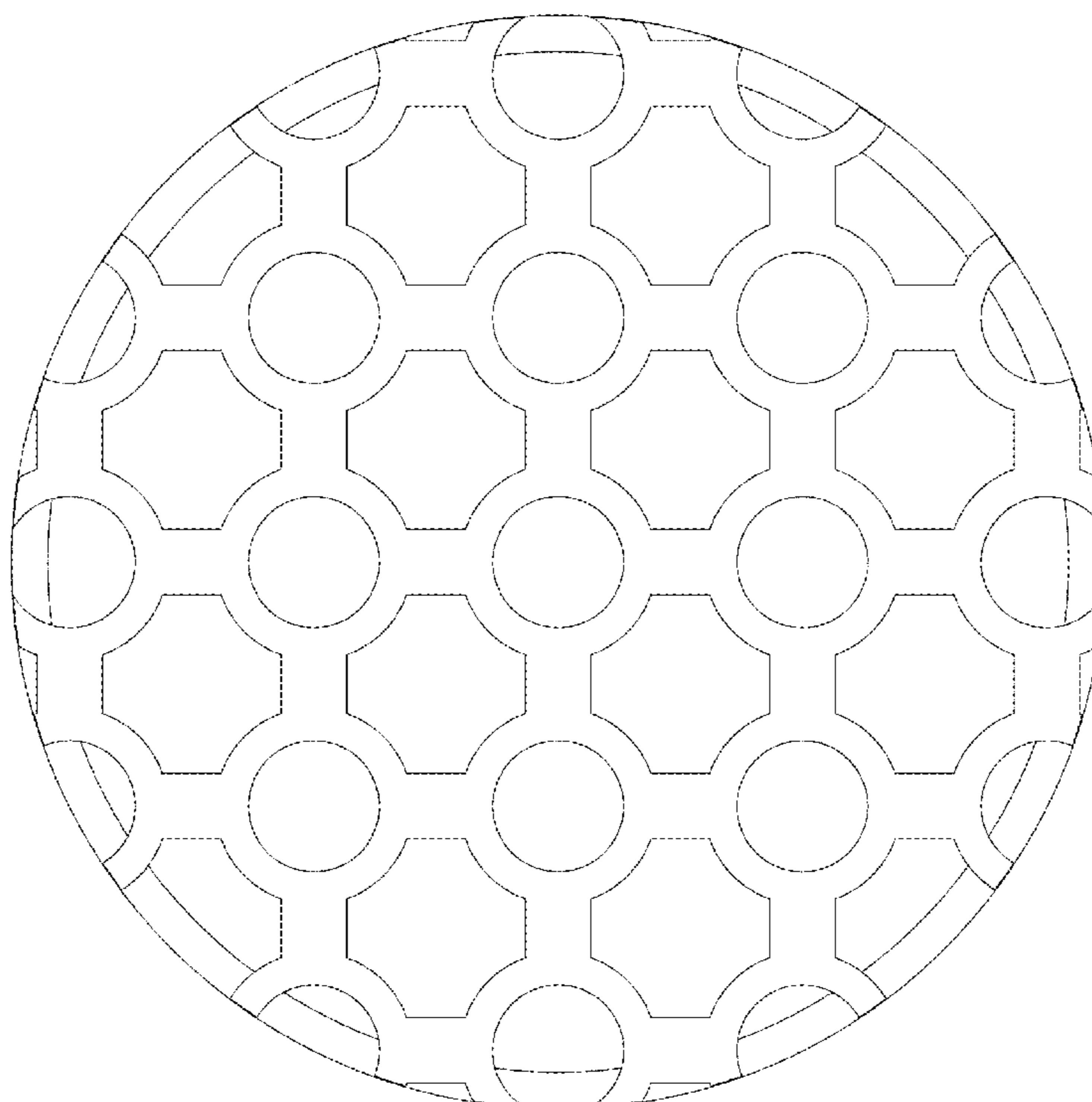
The ornamental design for a polishing plate, as shown and described.

**DESCRIPTION**

FIG. 1 is a front elevation view of a polishing plate showing my new design;  
FIG. 2 is a rear elevation view thereof;  
FIG. 3 is a right elevation view thereof;  
FIG. 4 is a left elevation view thereof;  
FIG. 5 is a top plan view thereof;  
FIG. 6 is a bottom plan view thereof; and,  
FIG. 7 is a perspective view thereof.

(56) **References Cited**  
U.S. PATENT DOCUMENTS  
4,058,936 A \* 11/1977 Marton ..... B24B 55/102  
451/359  
D284,969 S \* 8/1986 Olovsson ..... D15/126  
6,059,644 A \* 5/2000 Manor ..... B24B 55/102  
451/353

**1 Claim, 7 Drawing Sheets**



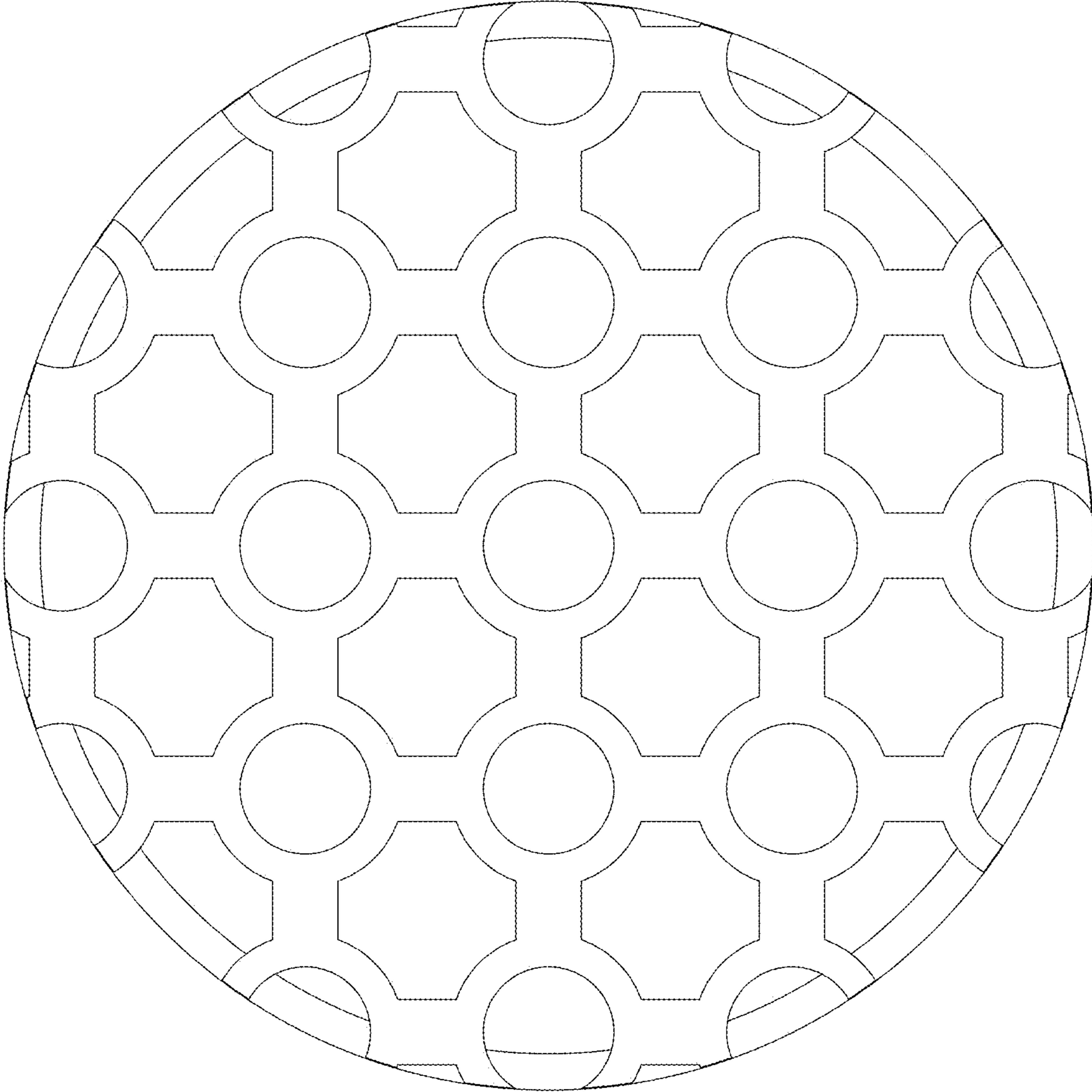


Fig . 1

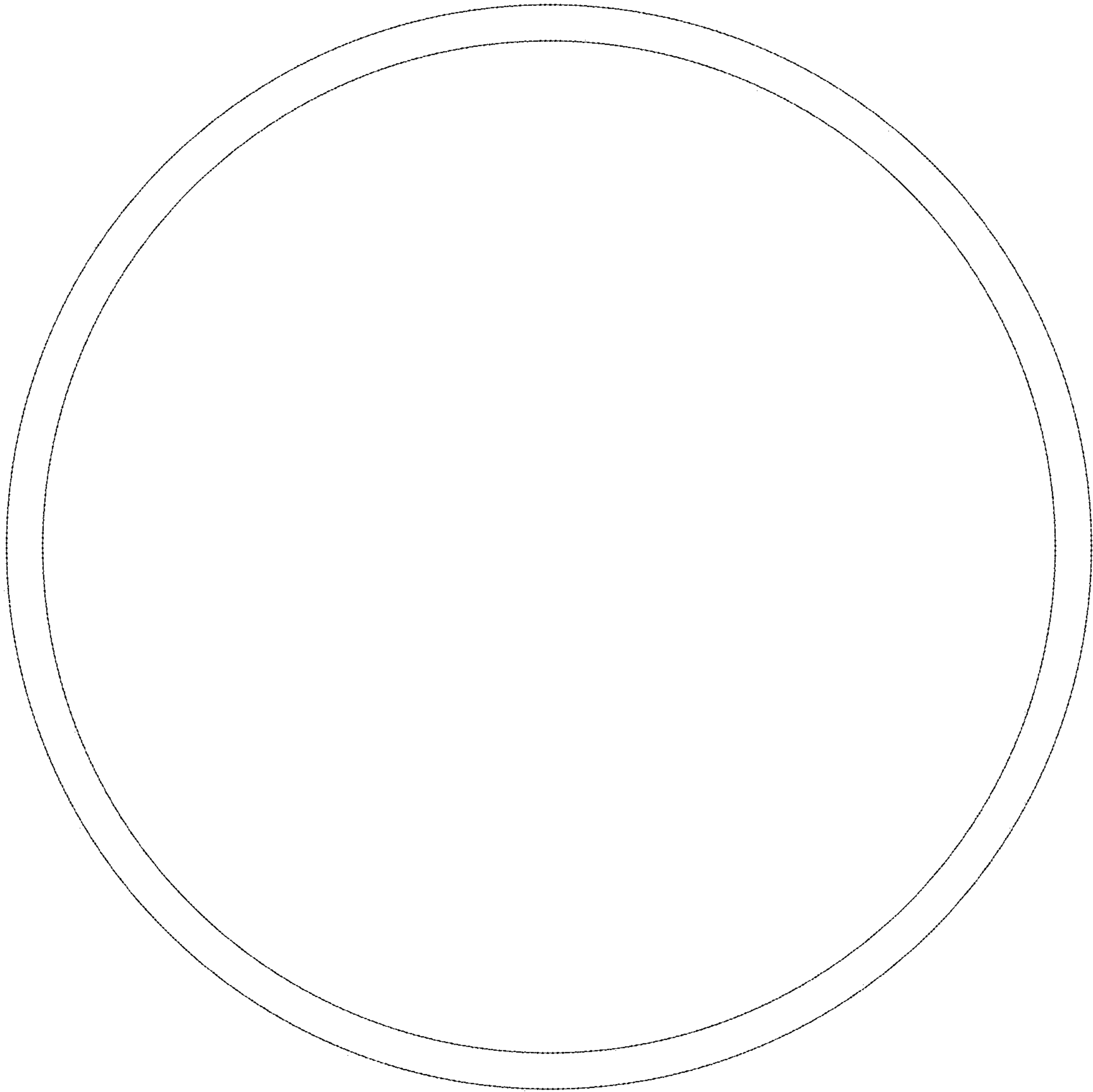


Fig . 2

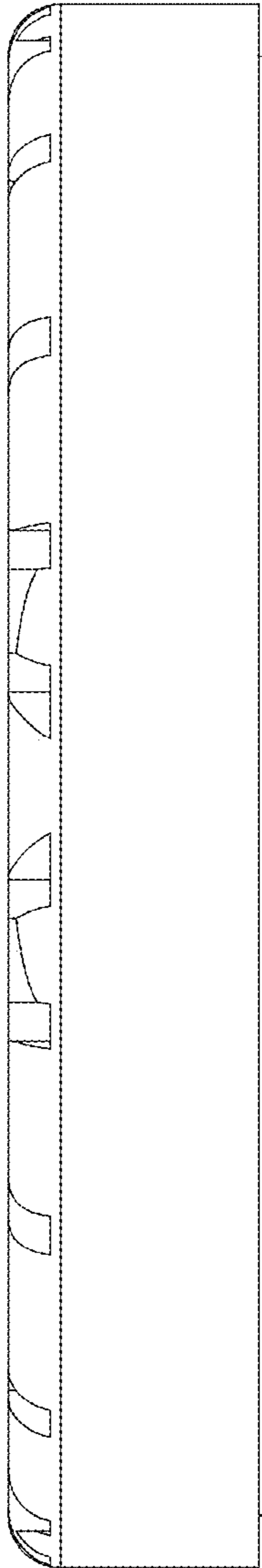


Fig . 3

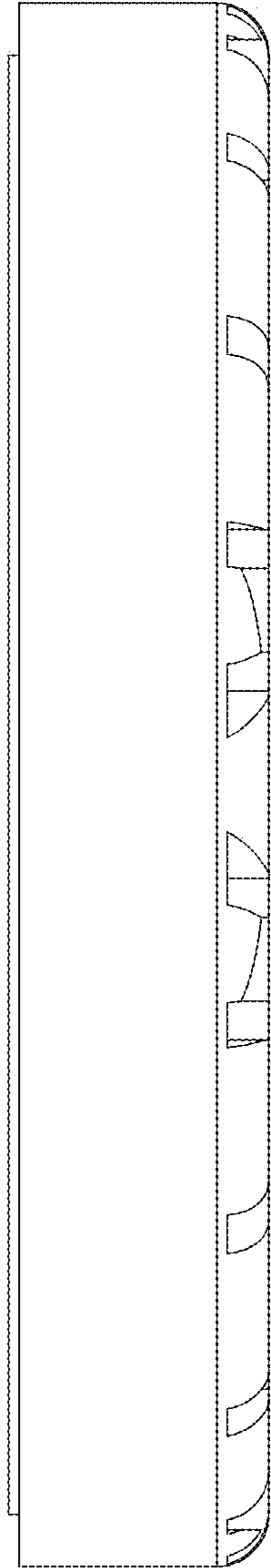


Fig . 4

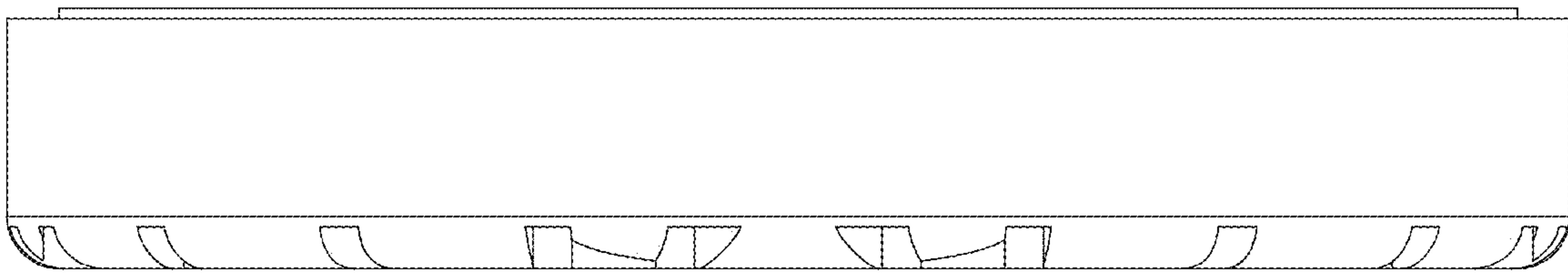


Fig . 5

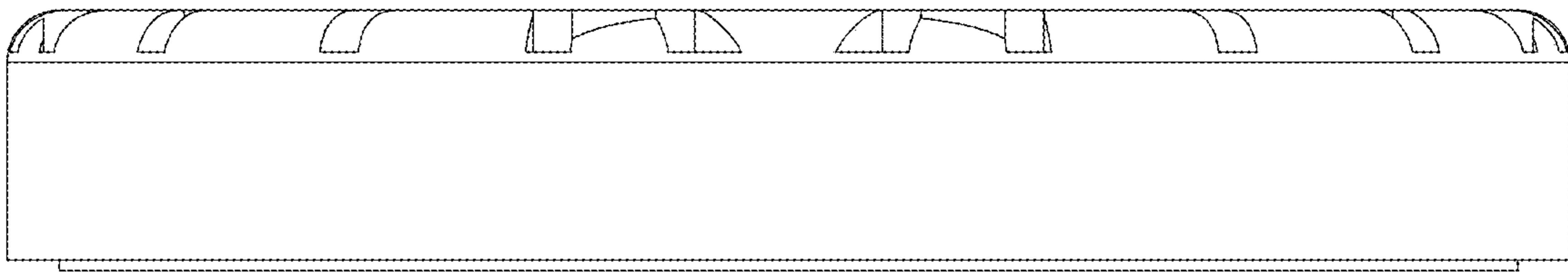


Fig . 6

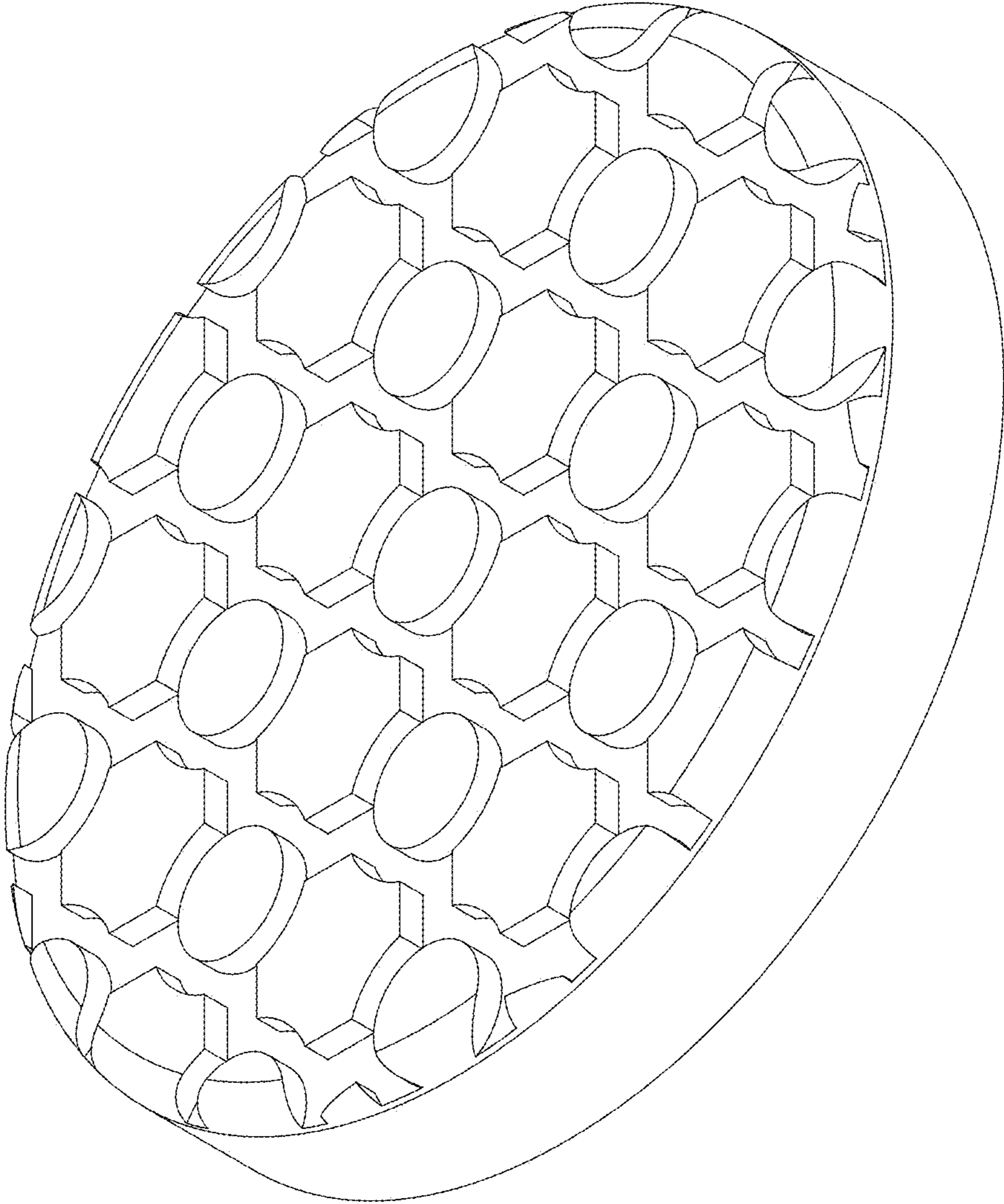


Fig . 7