

US00D891887S

(12) **United States Design Patent**
Lei

(10) **Patent No.:** **US D891,887 S**

(45) **Date of Patent:** **** *Aug. 4, 2020**

(54) **HOT AIR GUN**

(71) Applicant: **Jinhua Lei**, Guangdong (CN)

(72) Inventor: **Jinhua Lei**, Guangdong (CN)

(*) Notice: This patent is subject to a terminal disclaimer.

(**) Term: **15 Years**

(21) Appl. No.: **29/630,014**

(22) Filed: **Dec. 18, 2017**

(51) **LOC (12) Cl.** **08-05**

(52) **U.S. Cl.**
USPC **D8/29.1**

(58) **Field of Classification Search**
USPC D8/29.1, 30, 61; D28/12, 13
CPC F24H 3/0423; F24H 3/02; F24H 3/0488;
F24H 3/002; F24H 9/2071; F24H 9/02
See application file for complete search history.

(56) **References Cited**

U.S. PATENT DOCUMENTS

D436,507 S *	1/2001	Cheng	D8/29.1
D455,621 S *	4/2002	Cheng	D8/30
D456,681 S *	5/2002	Cheng	D8/29.1
D457,043 S *	5/2002	Cheng	D8/29.1
D458,524 S *	6/2002	Cheng	D8/29.1
D458,818 S *	6/2002	Cheng	D8/29.1

D475,590 S *	6/2003	Huang	D8/29.1
6,763,183 B1 *	7/2004	Huang	F24H 9/02 392/384
D537,566 S *	2/2007	Kondo	D28/13
D695,958 S *	12/2013	Shami	D28/13
8,948,577 B2 *	2/2015	Eberli	F24H 3/0423 392/379
D793,827 S *	8/2017	Huang	D8/29.1

* cited by examiner

Primary Examiner — Philip S Hyder

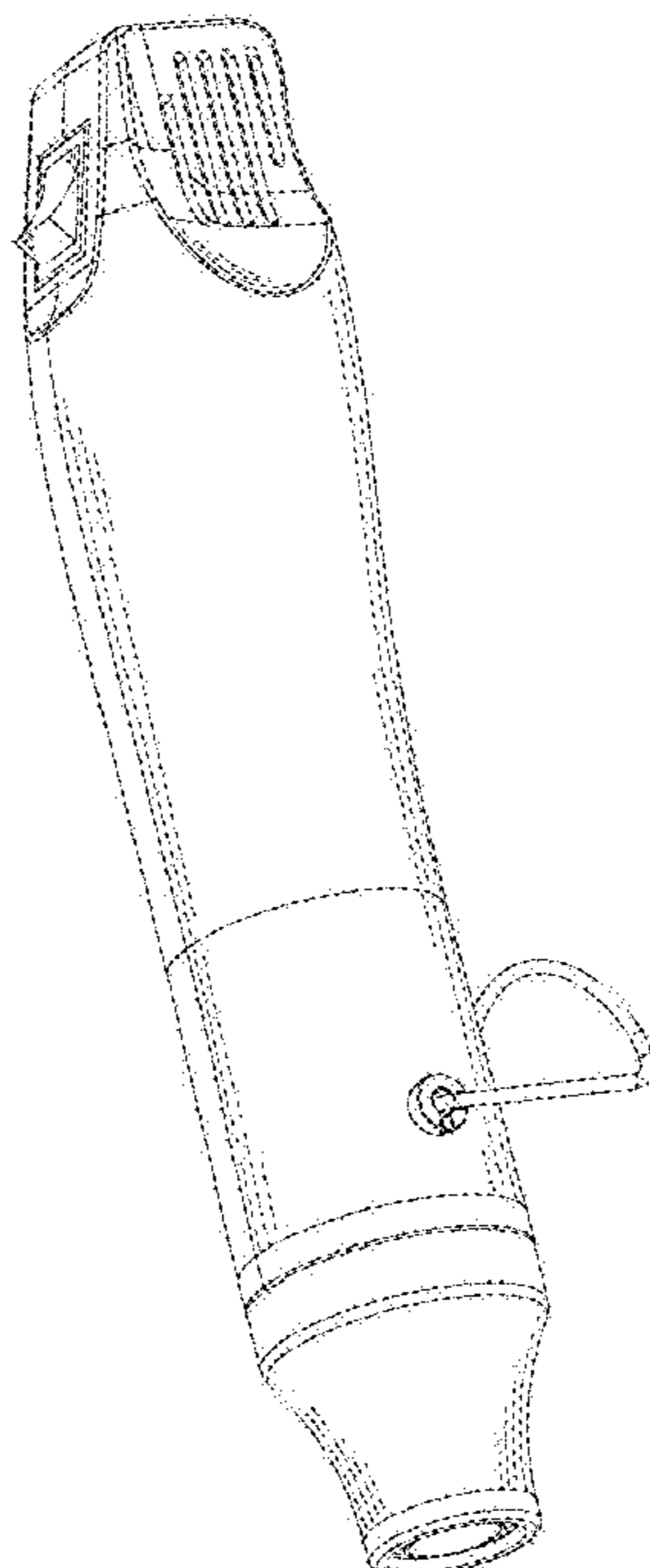
(57) **CLAIM**

The ornamental design for a hot air gun, as shown and described.

DESCRIPTION

FIG. 1 is a perspective view of a hot air gun showing my new design;
 FIG. 2 is a front elevational view of the hot air gun of FIG. 1;
 FIG. 3 is a rear elevational view of the hot air gun of FIG. 1;
 FIG. 4 is a left side elevational view of the hot air gun of FIG. 1;
 FIG. 5 is a right side elevational view of the hot air gun of FIG. 1;
 FIG. 6 is a top plan view of the hot air gun of FIG. 1;
 FIG. 7 is a bottom plan view of the hot air gun of FIG. 1;
 FIG. 8 is another perspective view of the hot air gun from the other side; and,
 FIG. 9 is another perspective view of the hot air gun.

1 Claim, 9 Drawing Sheets



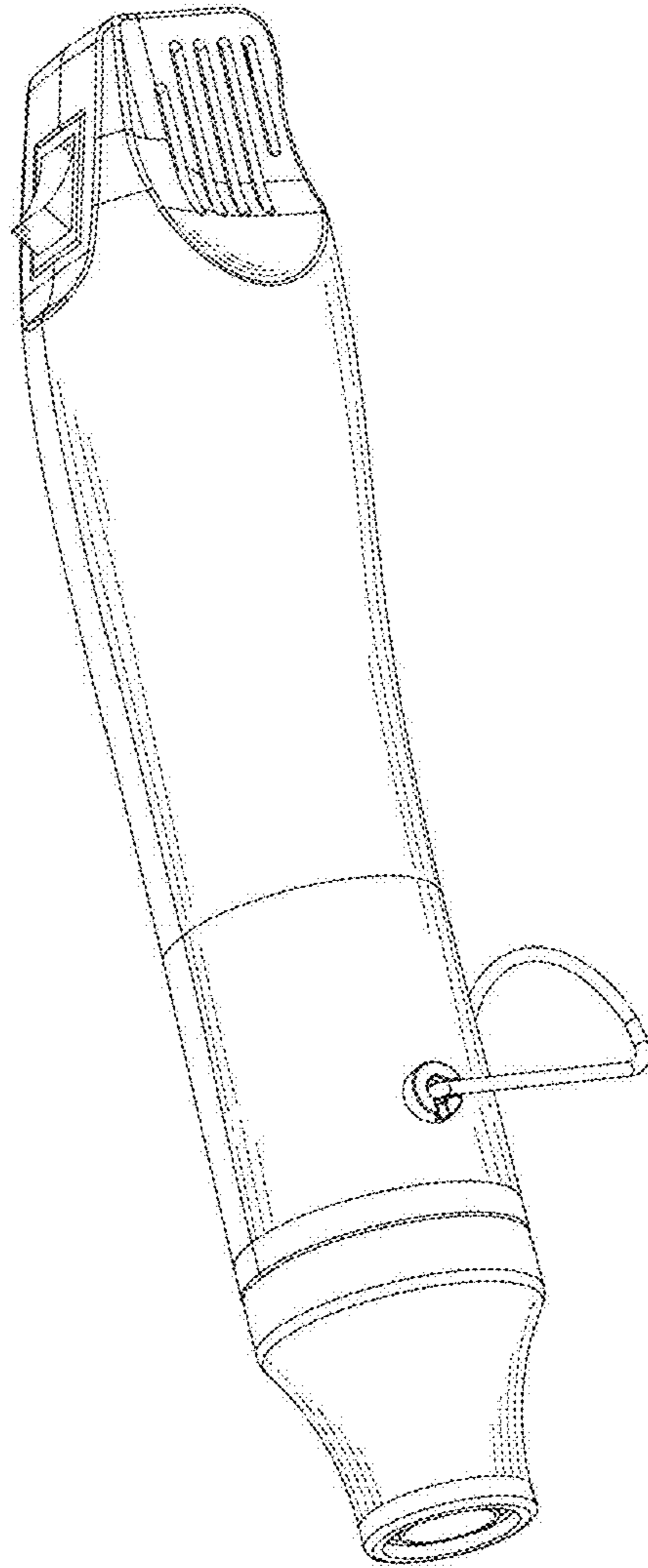


FIG.1

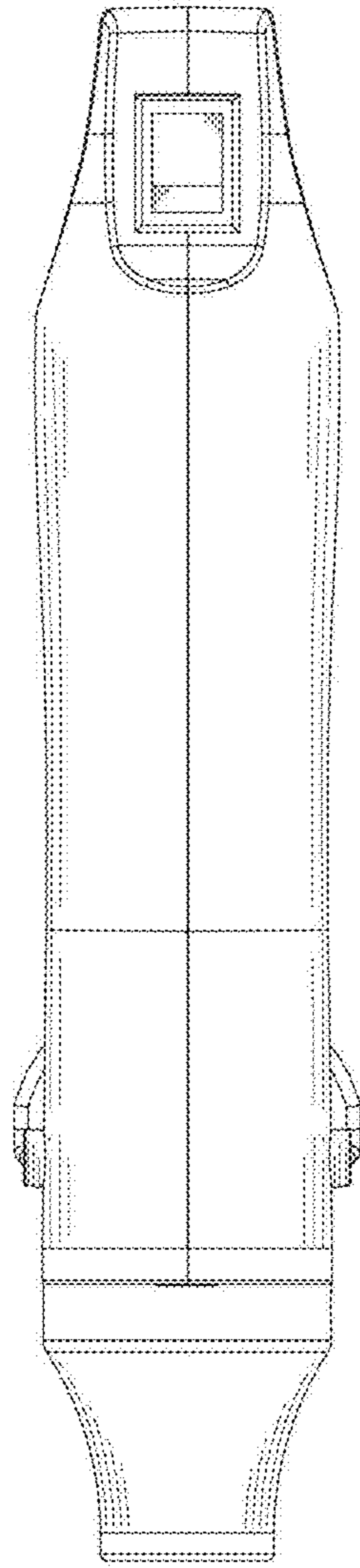


FIG.2

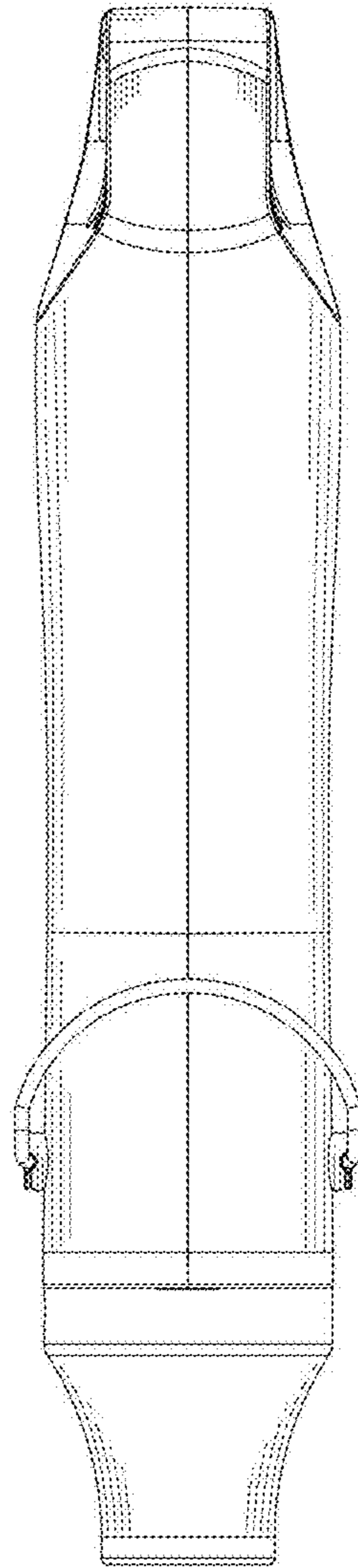


FIG.3

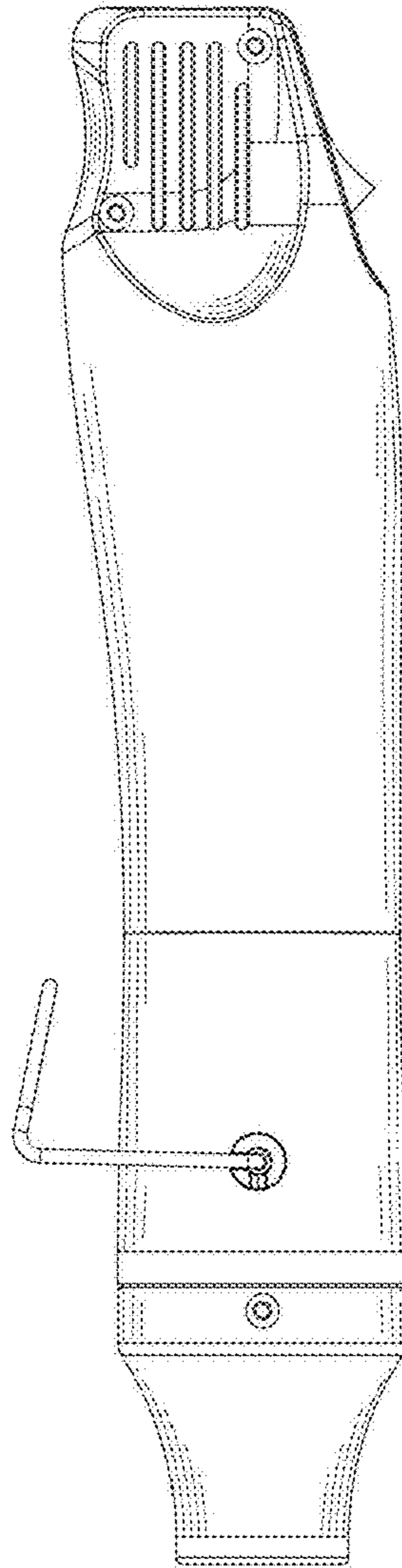


FIG.4

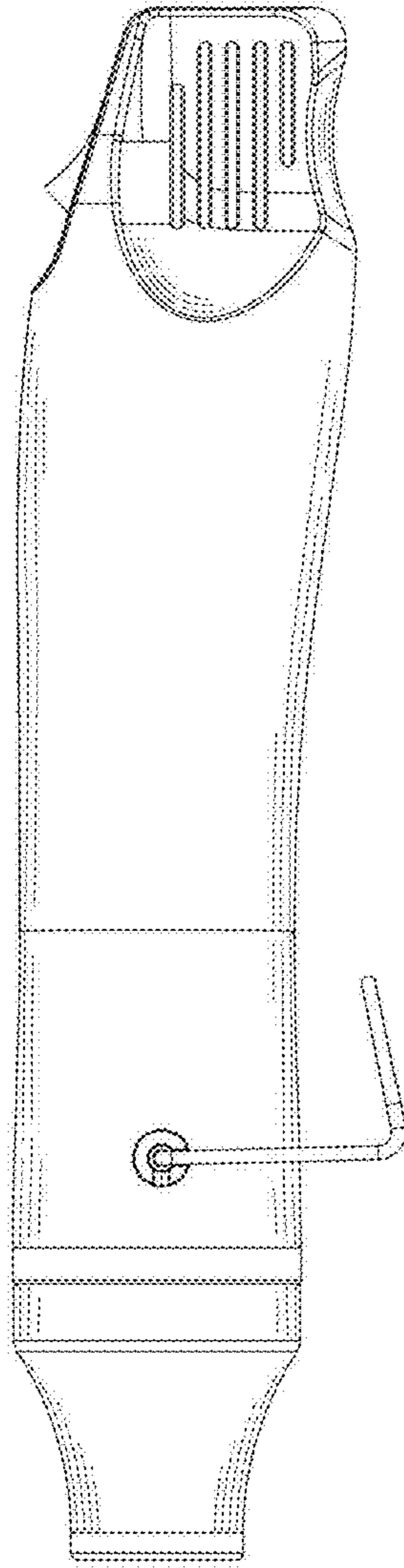


FIG.5

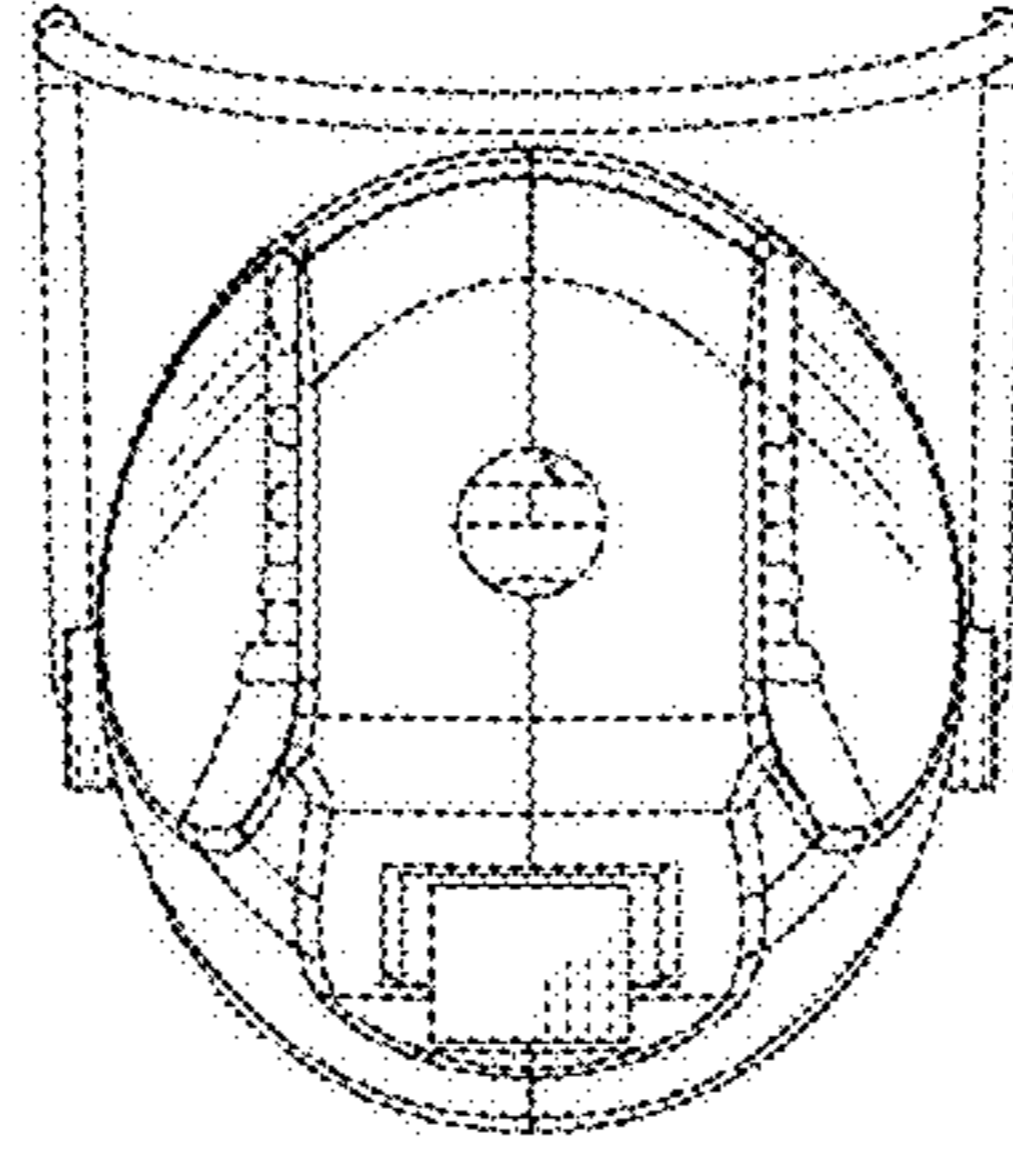


FIG.6

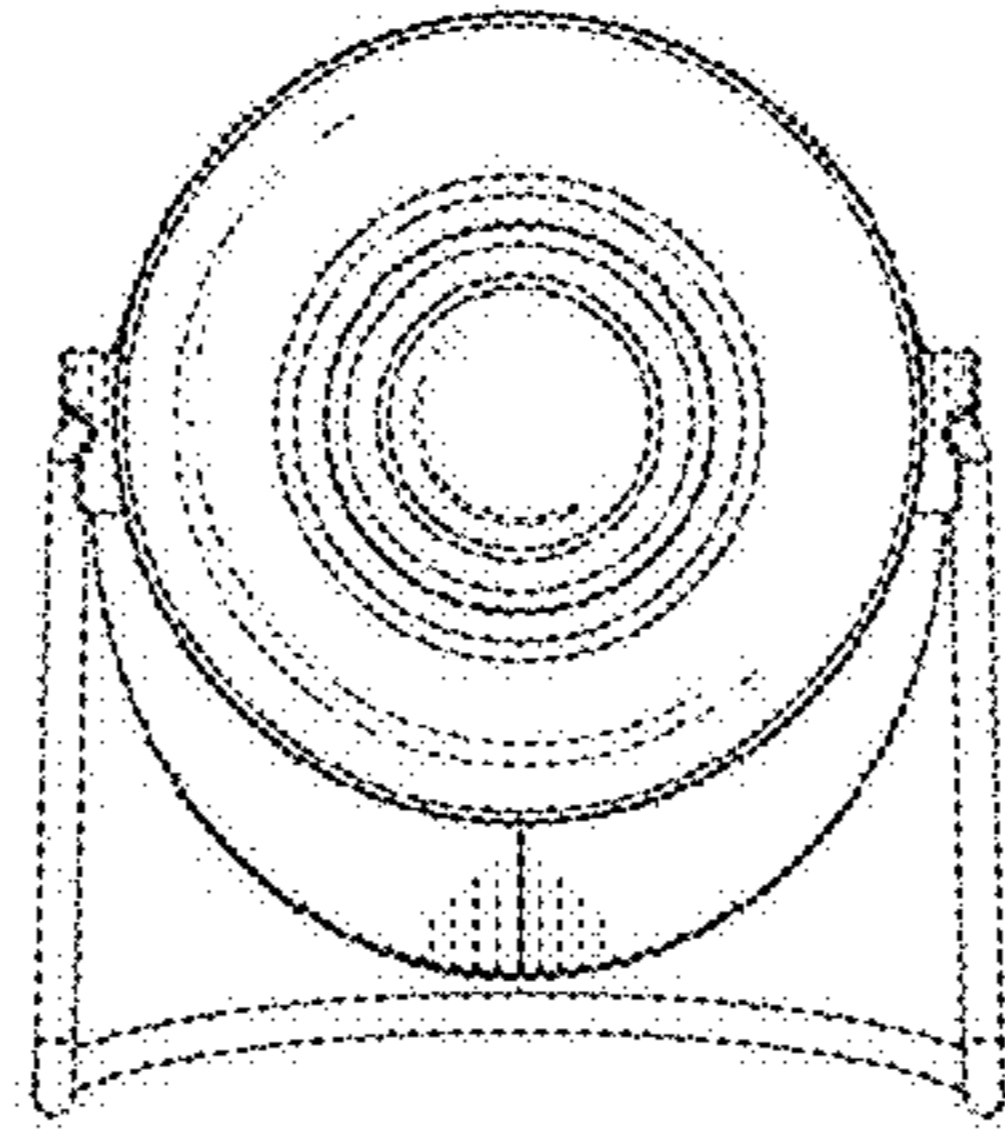


FIG. 7

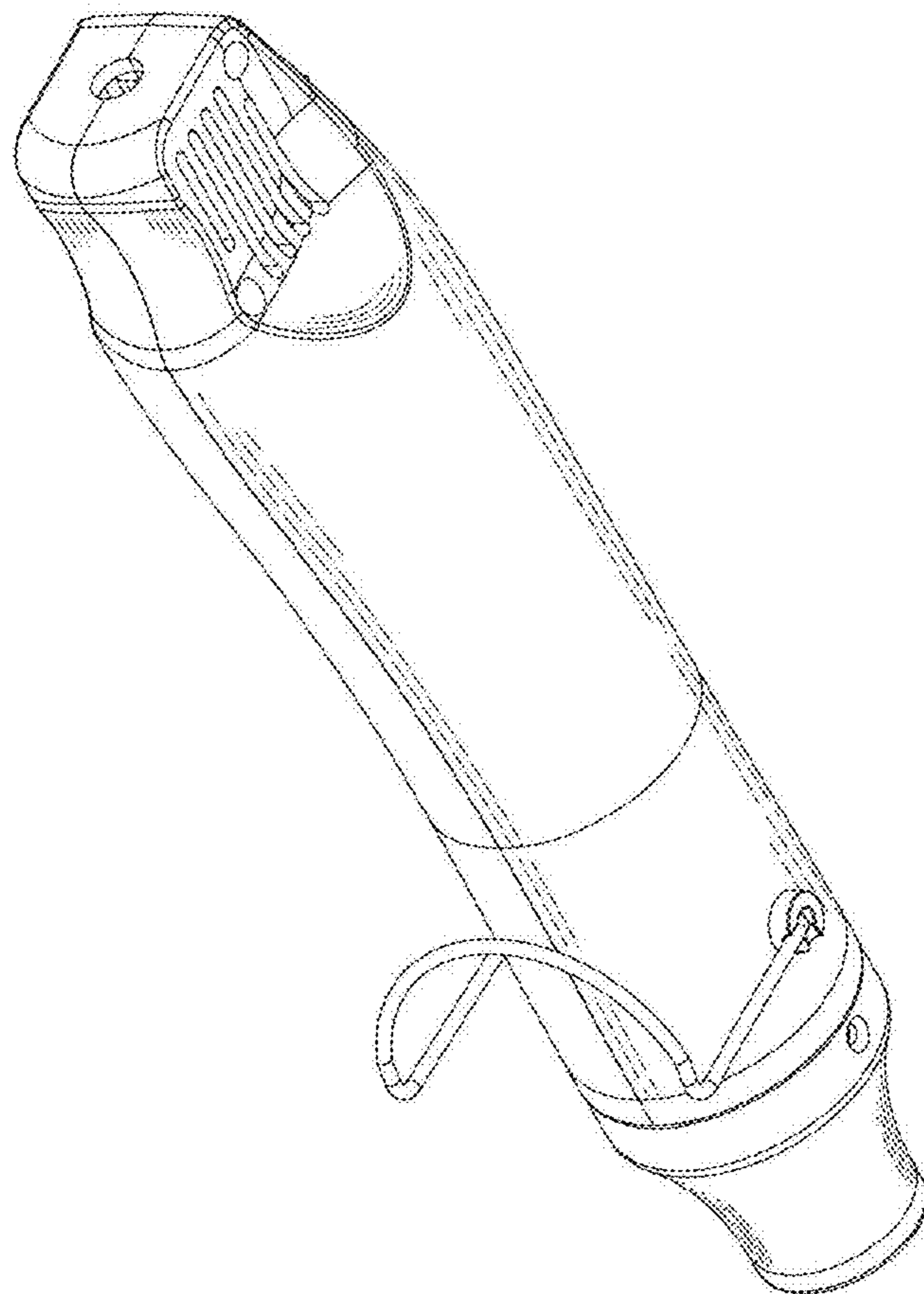


FIG.8

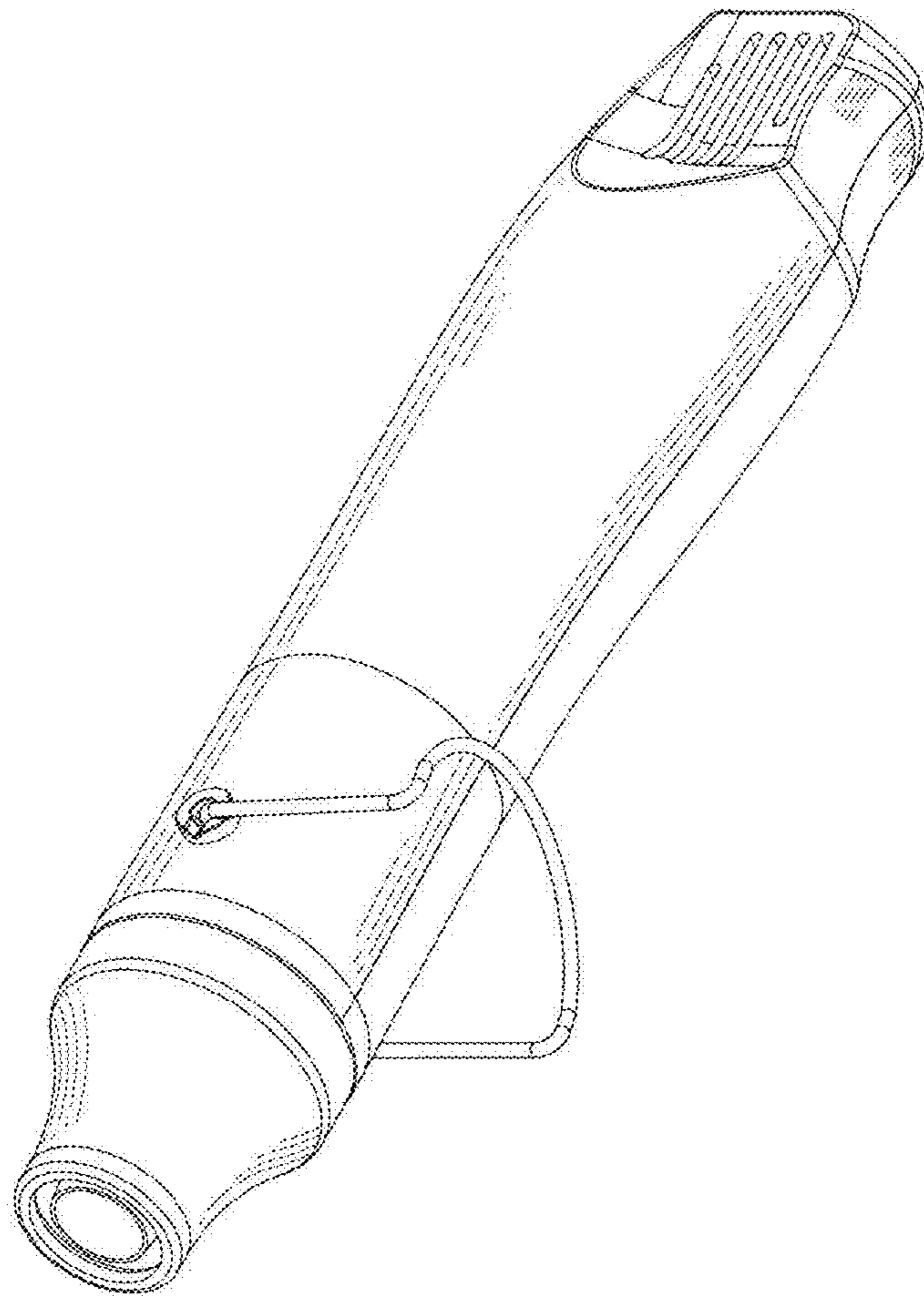


FIG.9