

US00D891884S

(12) **United States Design Patent**  
**Lemmond**

(10) **Patent No.:** **US D891,884 S**

(45) **Date of Patent:** **\*\* Aug. 4, 2020**

(54) **BEVERAGE DRINKING GLASS HOLDER**

(71) Applicant: **Donna Davis Lemmond**, Fernandina Beach, FL (US)

(72) Inventor: **Donna Davis Lemmond**, Fernandina Beach, FL (US)

(\*\*) Term: **15 Years**

(21) Appl. No.: **29/661,074**

(22) Filed: **Aug. 24, 2018**

(51) **LOC (12) Cl.** ..... **07-06**

(52) **U.S. Cl.**  
USPC ..... **D7/701; D7/554.3**

(58) **Field of Classification Search**  
USPC ..... D7/701-708, 619.1-625, 550.1, 554.1, D7/554.3, 554.4  
CPC ..... A47B 13/00; A47B 73/00; A47G 23/065; A47G 23/03; B60N 3/102; A47J 47/16  
See application file for complete search history.

(56) **References Cited**

**U.S. PATENT DOCUMENTS**

D252,828 S \* 9/1979 Davidson ..... D28/61  
D319,086 S \* 8/1991 Hughes ..... D21/731

D381,515 S \* 7/1997 Haynes ..... D24/224  
D551,036 S \* 9/2007 Tomaszewski ..... D7/701  
D576,849 S \* 9/2008 Carfagna ..... D7/550.1  
D699,085 S \* 2/2014 Reid, Jr. .... D7/701

\* cited by examiner

*Primary Examiner* — Terry A Wallace  
(74) *Attorney, Agent, or Firm* — Dunlap, Bennett & Ludwig PLLC; Brendan Squire

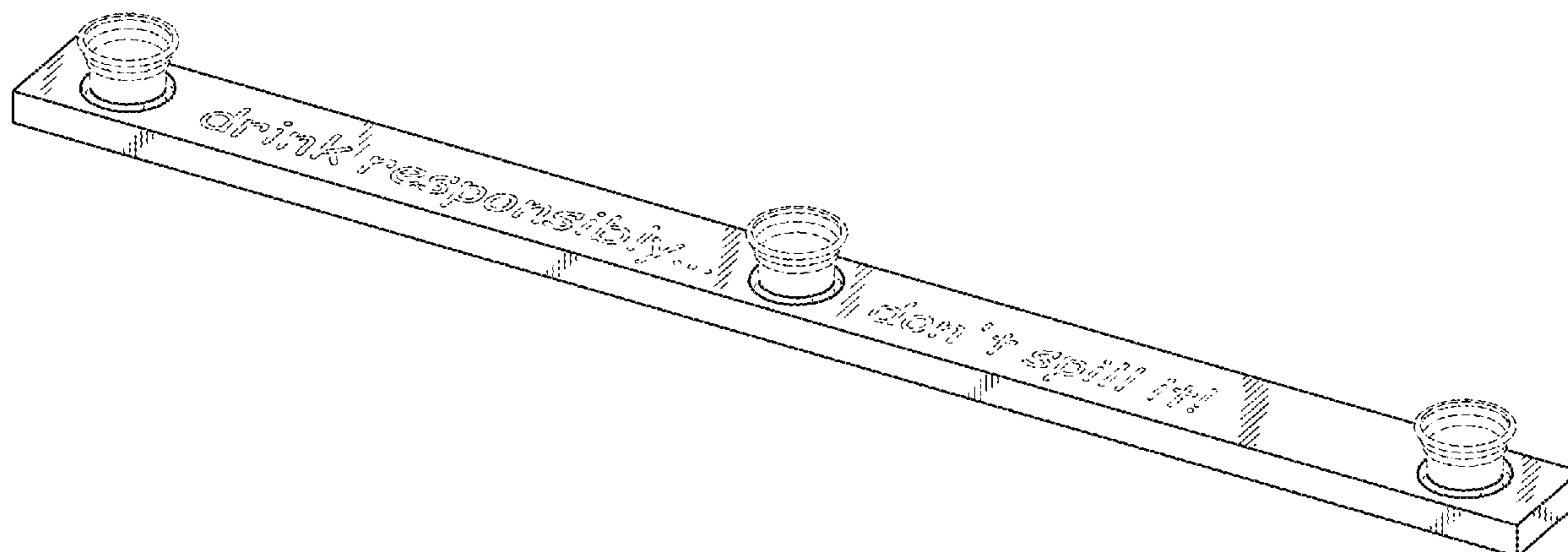
(57) **CLAIM**

The ornamental design for a beverage drinking glass holder, as shown and described.

**DESCRIPTION**

FIG. 1 is a front perspective view of a beverage drinking glass holder showing my new design; FIG. 2 is a front elevation view thereof, the rear elevation view being an identical image thereof; FIG. 3 is a left side elevation view thereof, the right side elevation being an identical image thereof; FIG. 4 is a top plan view thereof; and, FIG. 5 is a bottom plan view thereof. The broken lines shown in the drawings illustrate portions of the beverage drinking glass holder that form no part of the claimed design.

**1 Claim, 2 Drawing Sheets**



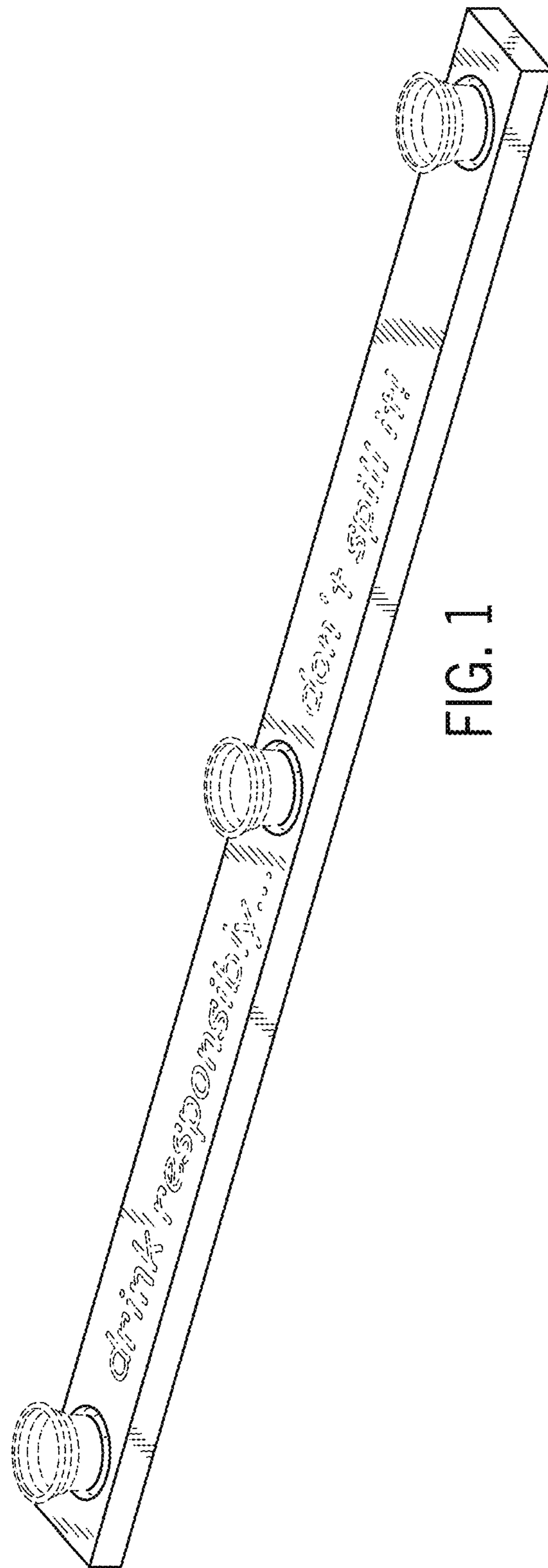


FIG. 1

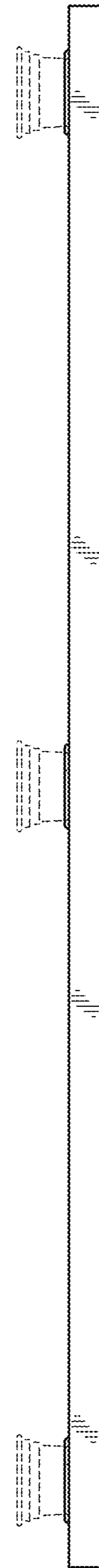


FIG. 2

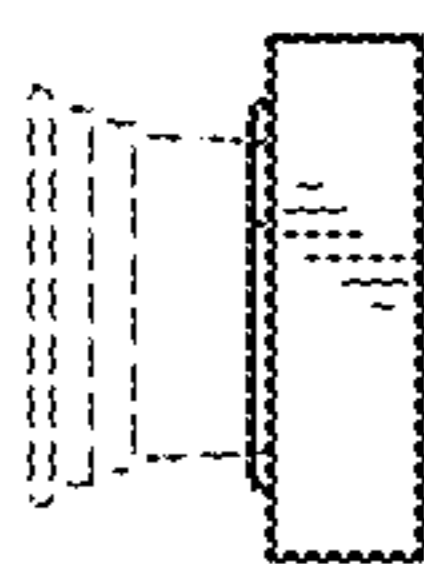


FIG. 3



FIG. 4

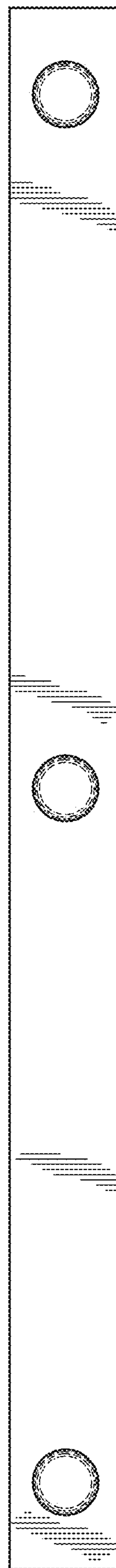


FIG. 5