



US00D891883S

(12) **United States Design Patent**
Anzalone et al.

(10) **Patent No.:** **US D891,883 S**
(45) **Date of Patent:** **** Aug. 4, 2020**

(54) **FOOD UTENSIL**

(71) Applicant: **UT Brands, LLC**, Costa Mesa, CA
(US)

(72) Inventors: **Christopher Anzalone**, Eagle, ID (US);
Robert Kushner, San Diego, CA (US)

(73) Assignee: **UT BRANDS, LLC**, Costa Mesa, CA
(US)

(**) Term: **15 Years**

(21) Appl. No.: **29/682,259**

(22) Filed: **Mar. 4, 2019**

(51) **LOC (12) Cl.** **07-03**

(52) **U.S. Cl.**
USPC **D7/653**

(58) **Field of Classification Search**
USPC D7/368, 401.2, 642-645, 653-664, 669,
D7/675-677, 683-684, 688-689, 691;
D8/98, 107, 300-301; D10/119.1;
D22/117-118

CPC ... A01D 9/02; A01D 9/04; A01D 9/06; A47G
21/00; A47G 21/004; A47G 21/005;
A47G 21/02; A47G 21/023; A47G 21/04;
A47G 21/06; A47G 21/08; A47G 21/10;
A47J 43/28; A47J 43/281; A47J 43/282;
A61F 13/10; A61J 7/0023; B25G 1/00;
B25G 1/01; B25G 1/02; B25G 3/00;
B26B 1/00; B26B 1/08; B26B 5/00;
B65D 75/56; B65D 75/563; B65D
75/566; B67B 7/00; B67B 7/724; B67B
7/73

See application file for complete search history.

(56) **References Cited**

U.S. PATENT DOCUMENTS

1,586,906 A * 6/1926 Elias B26B 5/00
279/93
4,096,629 A * 6/1978 Levine B26B 1/00
30/152

D333,413 S * 2/1993 Kistner D7/683
D528,893 S * 9/2006 Budd D22/118
D637,050 S * 5/2011 Johnson, Jr. D7/683
D663,171 S * 7/2012 Borovicka D7/683
D712,708 S * 9/2014 High D7/683
D772,090 S * 11/2016 Kruska D10/119.1

(Continued)

OTHER PUBLICATIONS

The Grommet, Meat Handler and Shredder, accessed on Jun. 4,
2019, <https://www.thegrommet.com/bear-paw-products-meat-handler-and-shredder>.

(Continued)

Primary Examiner — Ricky Pham

(74) *Attorney, Agent, or Firm* — Umberg Zipser LLP

(57) **CLAIM**

We claim the ornamental design for a food utensil, as shown
and described.

DESCRIPTION

FIG. 1 is a top, front, right side perspective view of the food
utensil of the new design.

FIG. 2 is a front view of the food utensil of the new design.

FIG. 3 is a rear view of the food utensil of the new design.

FIG. 4 is a left side view of the food utensil of the new
design.

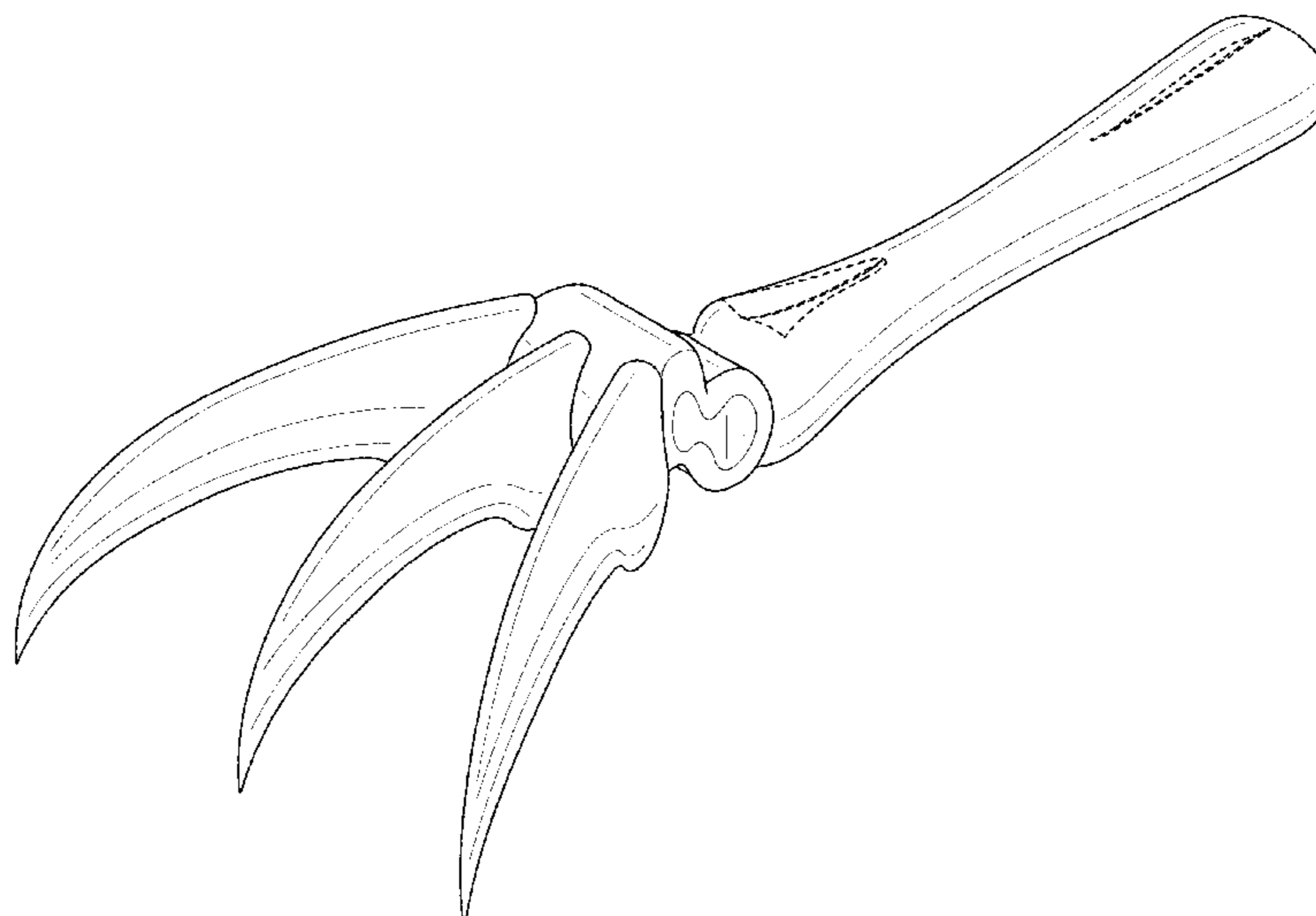
FIG. 5 is a right side view of the food utensil of the new
design.

FIG. 6 is a top view of the food utensil of the new design;
and,

FIG. 7 is a bottom view of the food utensil of the new design.

The broken lines shown in the drawings are for illustrative
purposes only and form no part of the claimed design.

1 Claim, 7 Drawing Sheets



(56)

References Cited

U.S. PATENT DOCUMENTS

D774,365 S * 12/2016 Shmoon D7/642
D781,114 S * 3/2017 DeAsis D7/684
D801,131 S * 10/2017 Borovicka D7/683
9,987,758 B2 * 6/2018 Levine B26B 1/08
2009/0322108 A1 * 12/2009 Bina A47G 21/10
294/99.2

OTHER PUBLICATIONS

Williams Sonoma, OXO Meat Shredding Claws, accessed on Jun. 4, 2019, <https://www.williams-sonoma.com/products/oxo-meat-shredding-claws/?catalogId=58&sku=1363428>.

* cited by examiner

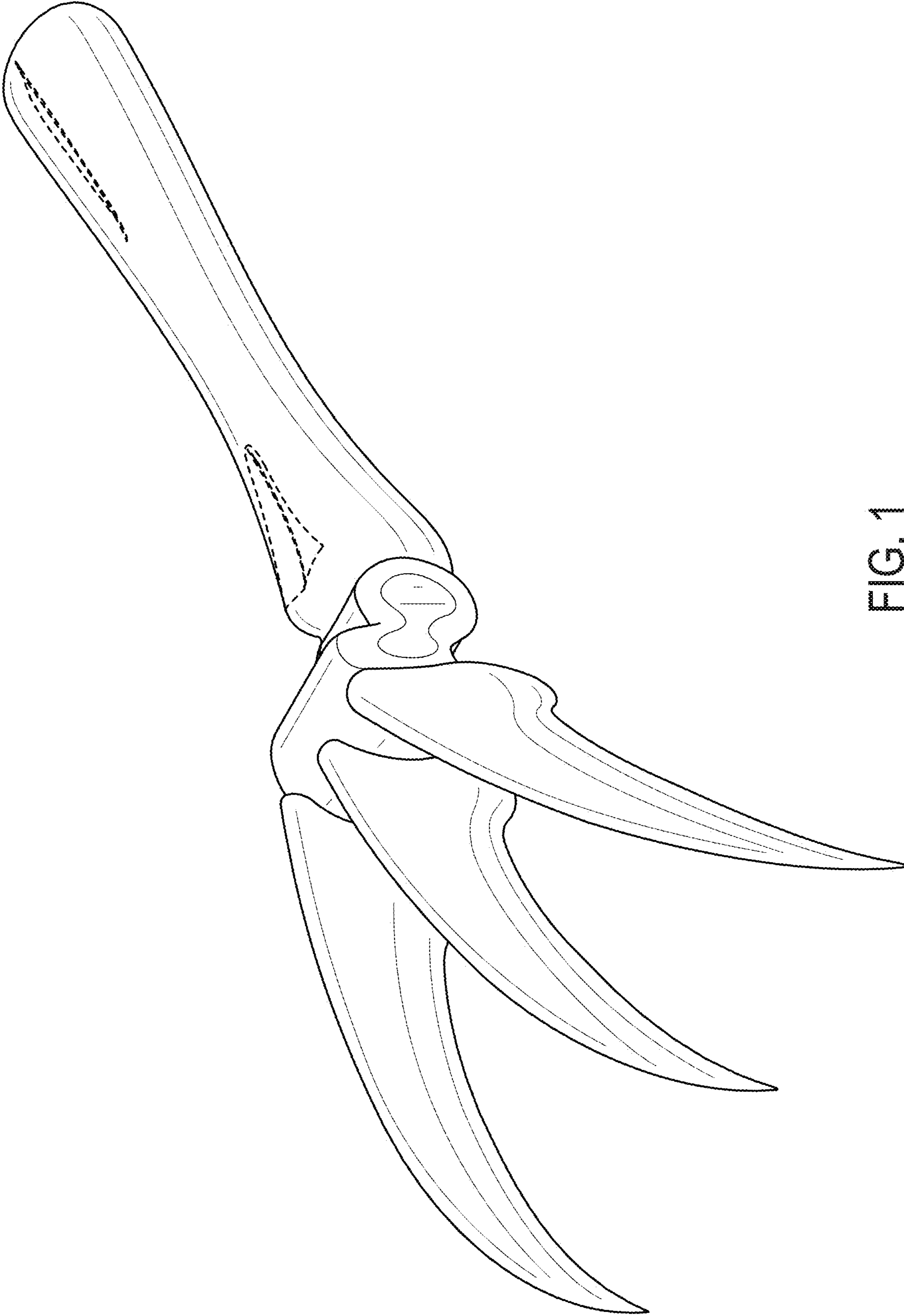


FIG. 1

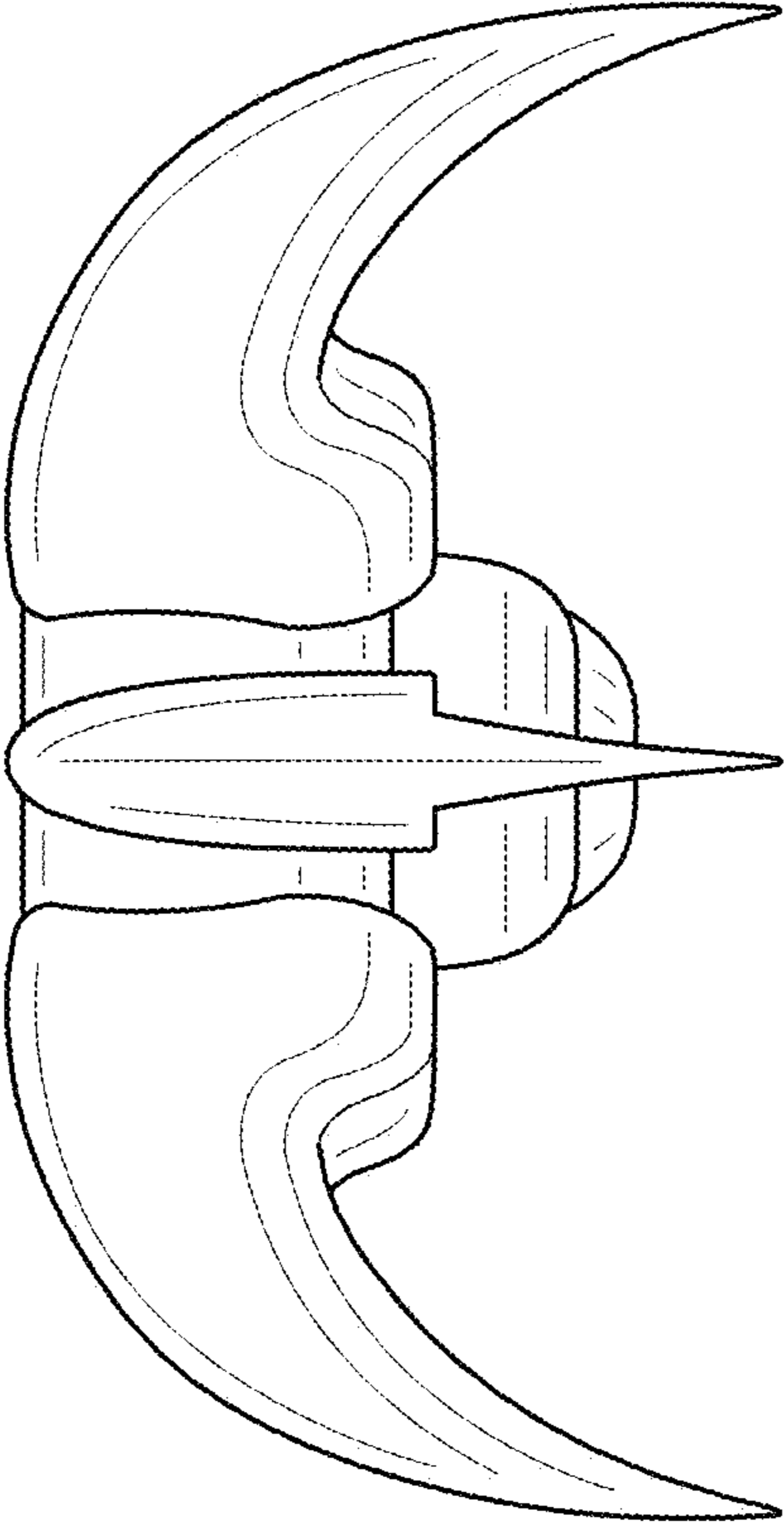


FIG. 2

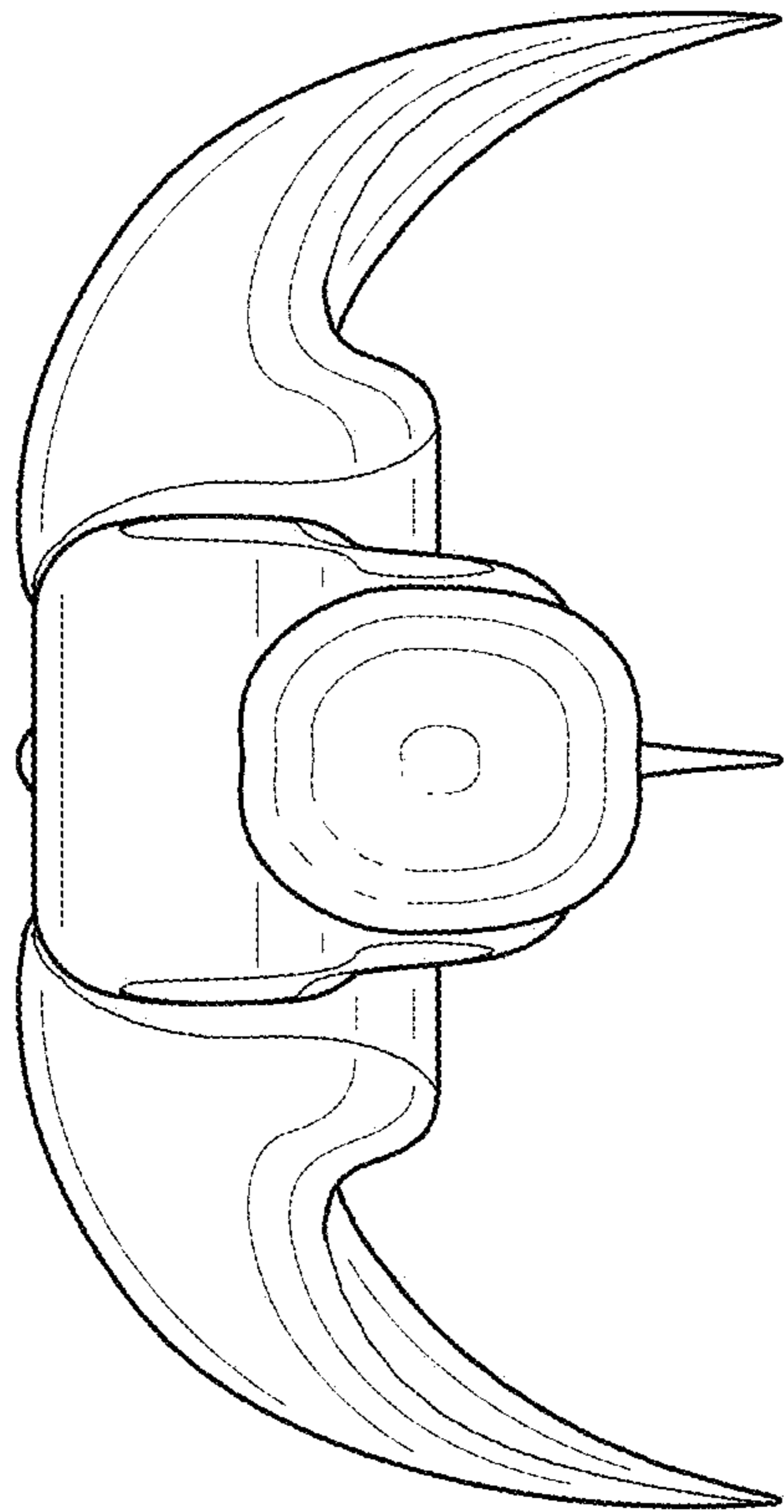


FIG. 3

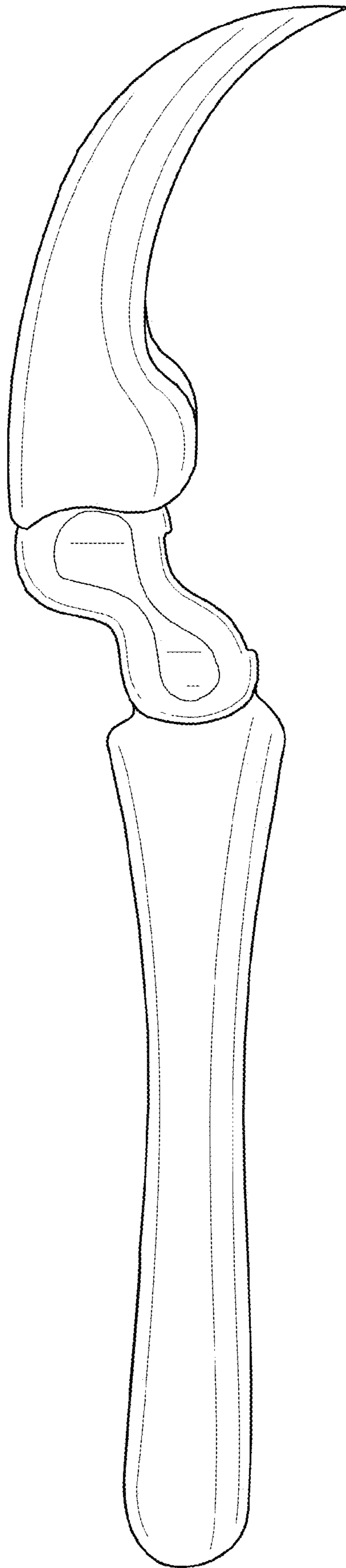


FIG. 4

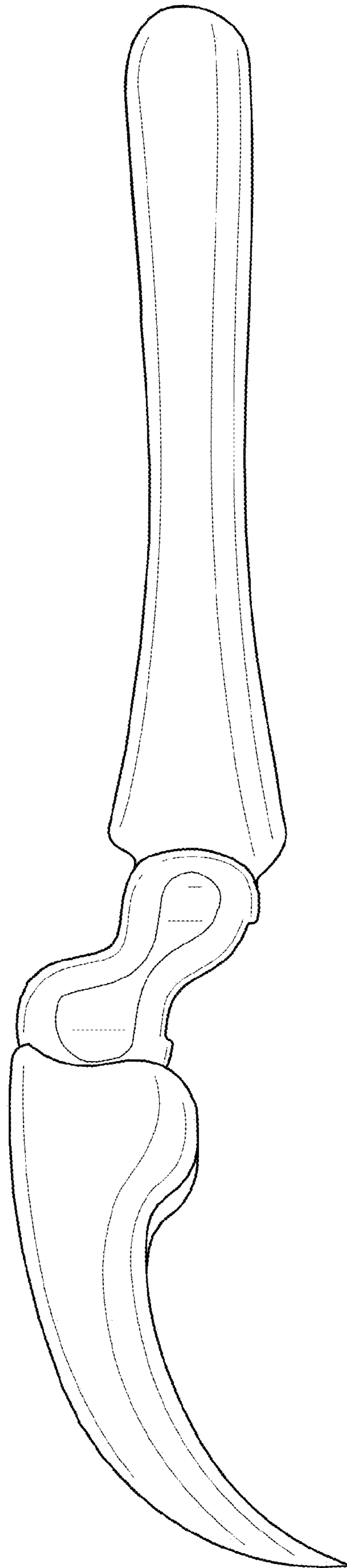


FIG. 5

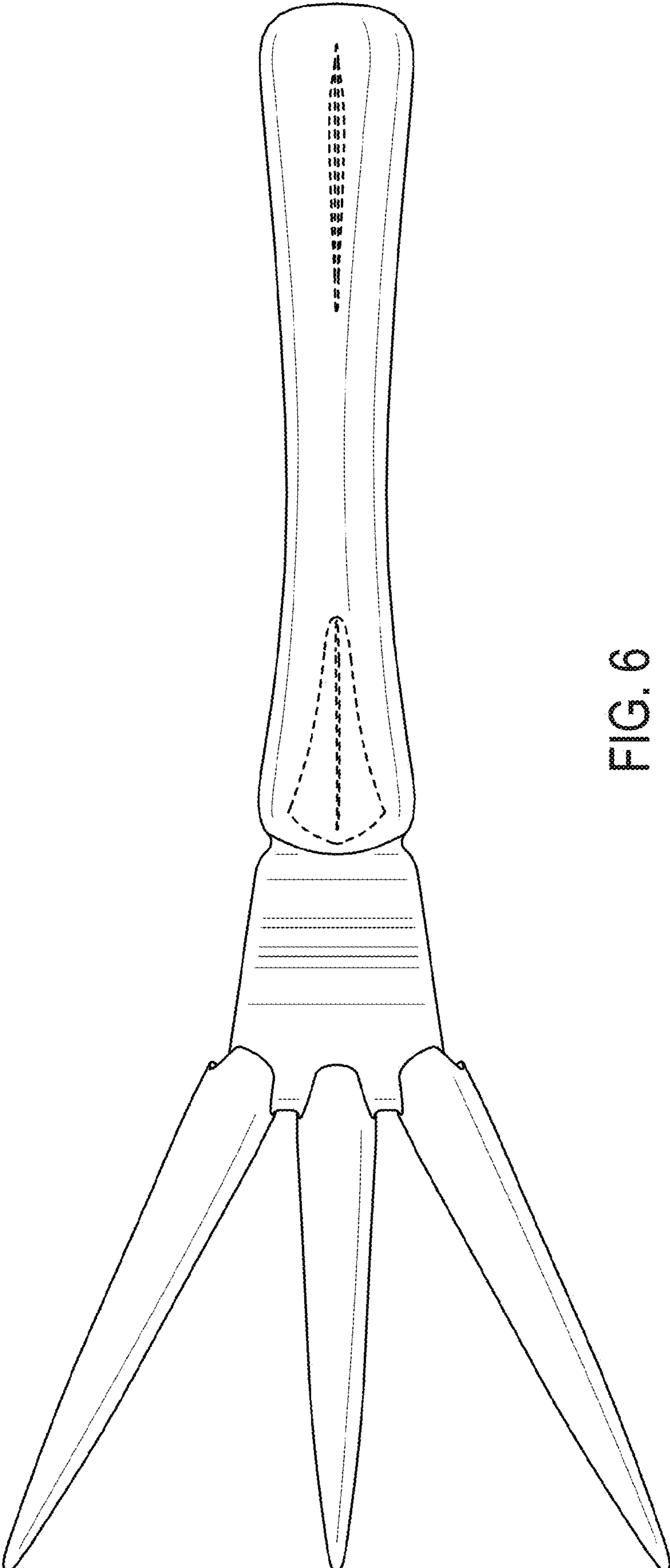


FIG. 6

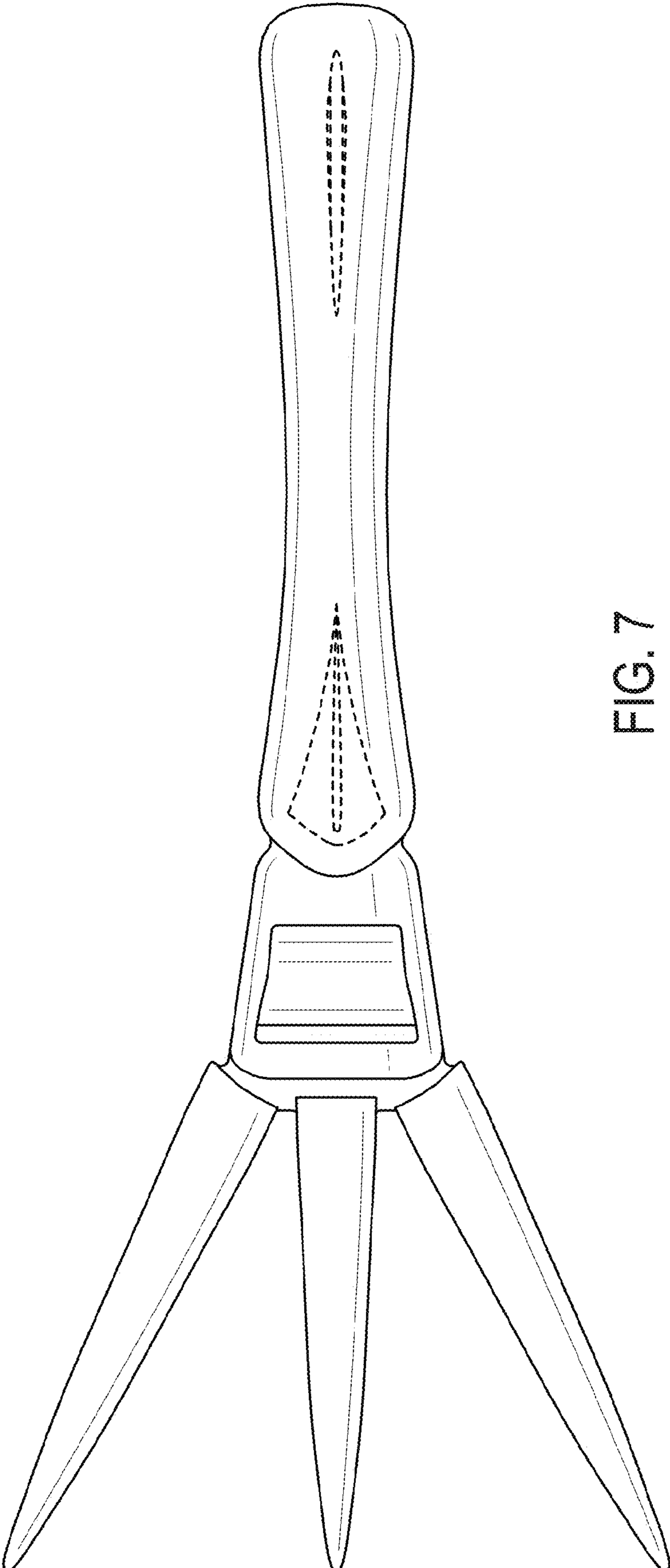


FIG. 7