

US00D891882S

(12) **United States Design Patent**  
**Almazan**

(10) **Patent No.:** **US D891,882 S**

(45) **Date of Patent:** **\*\* Aug. 4, 2020**

(54) **KNIFE**

(71) Applicant: **Aleksandar Almazan**, Varvarin (RS)

(72) Inventor: **Aleksandar Almazan**, Varvarin (RS)

(\*\*) Term: **15 Years**

(21) Appl. No.: **29/684,044**

(22) Filed: **Mar. 18, 2019**

(51) **LOC (12) Cl.** ..... **07-03**

(52) **U.S. Cl.**

USPC ..... **D7/649**; D7/401.2

(58) **Field of Classification Search**

USPC ..... D7/393-395, 401.2, 642-652, 693,  
D7/695-696; D8/93, 97-100, 107, 300,  
D8/321; D22/117-118

CPC ..... A01B 1/20; A01B 1/22; A22C 25/006;  
A47G 21/06; A47G 21/065; A61B  
17/3211; A61B 17/3213; B21D 53/64;  
B25G 3/36; B26B 1/00; B26B 1/08;  
B26B 1/10; B26B 3/00; B26B 3/02;  
B26B 3/03; B26B 3/04; B26B 3/06;  
B26B 5/00; B26B 5/001; B26B 5/007;  
B26B 7/00; B26B 7/005; B26B 9/00;  
B26B 9/02; B26B 11/00; B26B 11/006;  
B26B 17/00; B26B 17/006; B26B 29/02

See application file for complete search history.

(56) **References Cited**

**U.S. PATENT DOCUMENTS**

5,692,308 A \* 12/1997 Di Libero ..... B26B 9/02  
30/308  
D403,559 S \* 1/1999 Terenzio ..... D7/650

D461,373 S \* 8/2002 Sylva ..... D7/649  
D554,438 S \* 11/2007 Ono ..... D7/649  
D643,260 S \* 8/2011 Spiegel ..... D7/649  
D678,734 S \* 3/2013 Harris ..... D7/649  
D846,360 S \* 4/2019 Washington ..... D7/650

**OTHER PUBLICATIONS**

Handmade Carbon Steel Serbian Cleaver Chopper Kitchen Chef Knife Pakka Wood Handle comes with Leather Sheath DWA6610 by vk damascus knife; Date first known on Amazon.com Jan. 11, 2018. (<https://www.amazon.com/dp/B081L4VM2K>) (Year: 2018).\*

\* cited by examiner

*Primary Examiner* — Ricky Pham

(74) *Attorney, Agent, or Firm* — Bay State IP, LLC

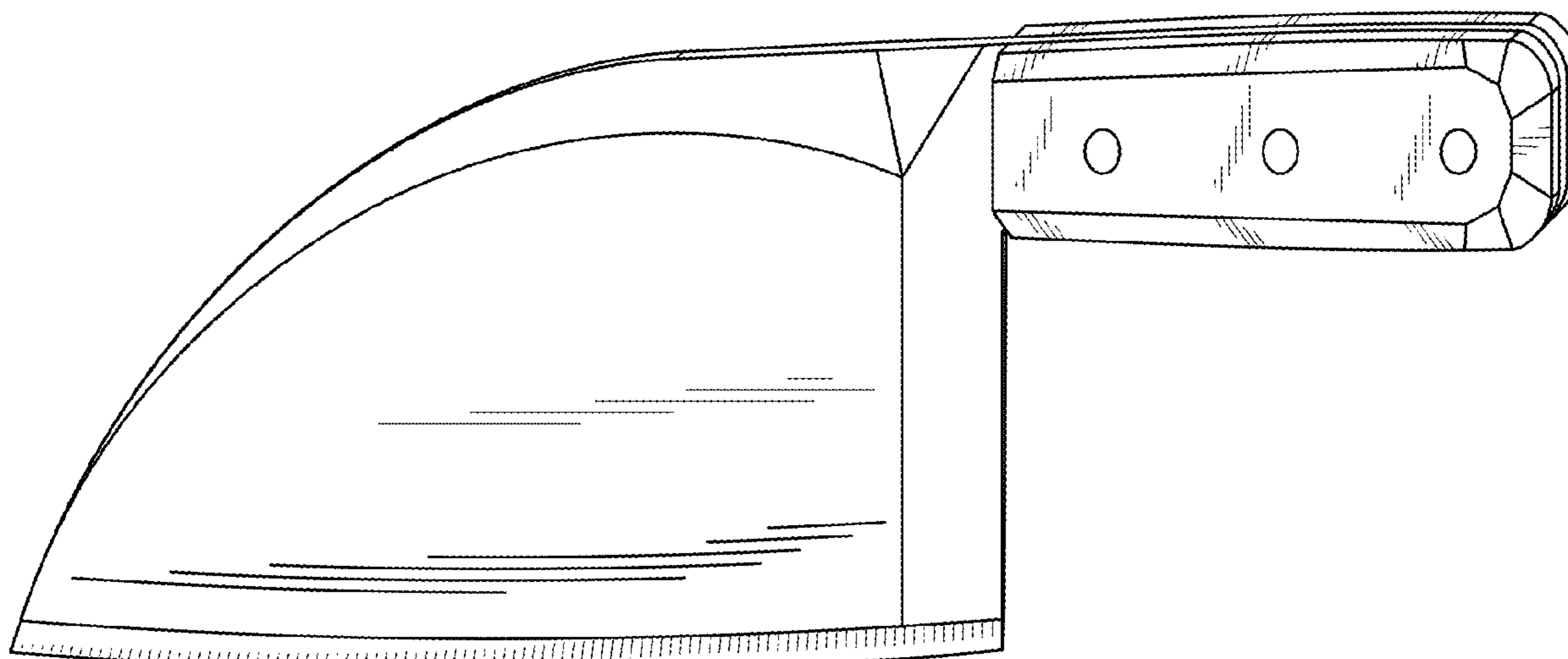
(57) **CLAIM**

The ornamental design for a knife, as shown and described.

**DESCRIPTION**

FIG. 1 is a front perspective view showing my new design; FIG. 2 is a front view, the rear view being a mirror image thereof; FIG. 3 is a side view thereof; FIG. 4 is an opposite side view thereof; FIG. 5 is a bottom view thereof; and, FIG. 6 is a top view thereof.

**1 Claim, 4 Drawing Sheets**



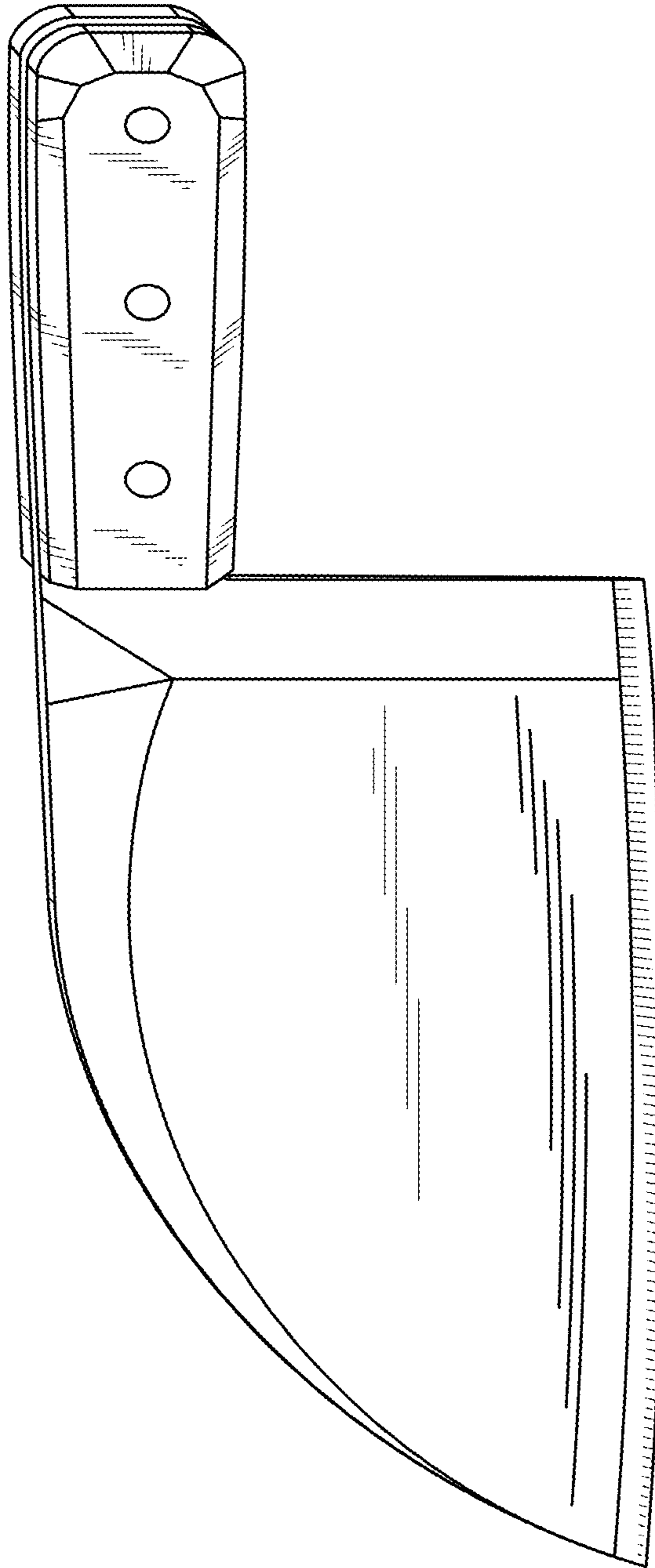


FIG. 1

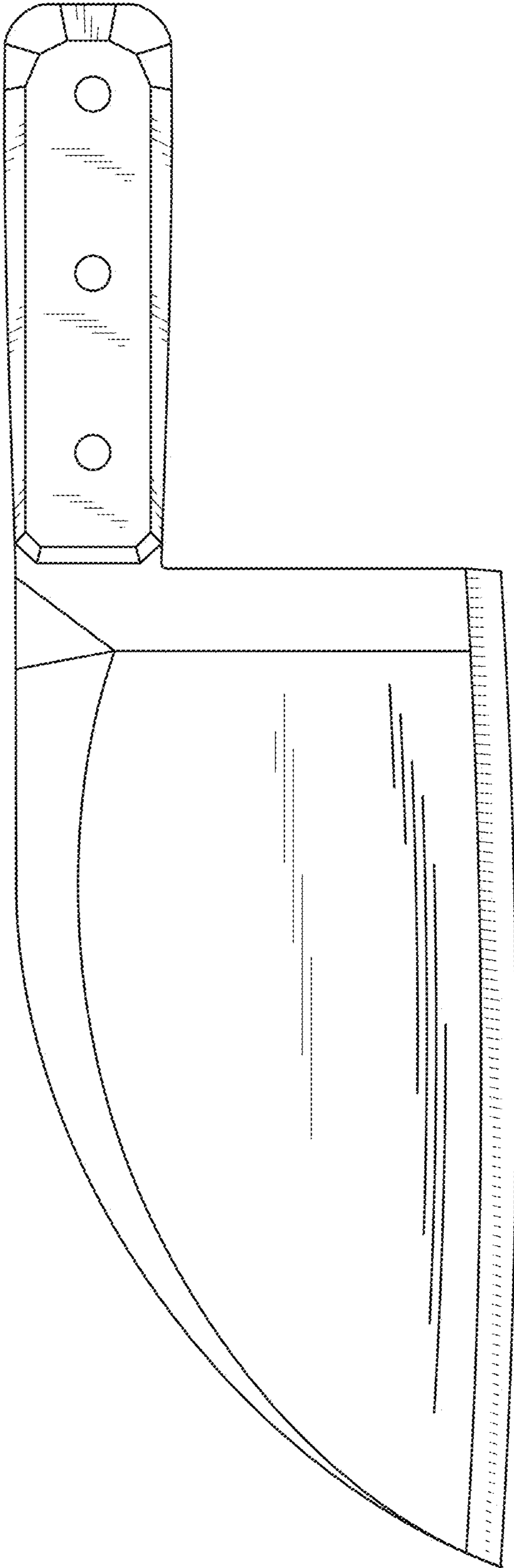


FIG. 2

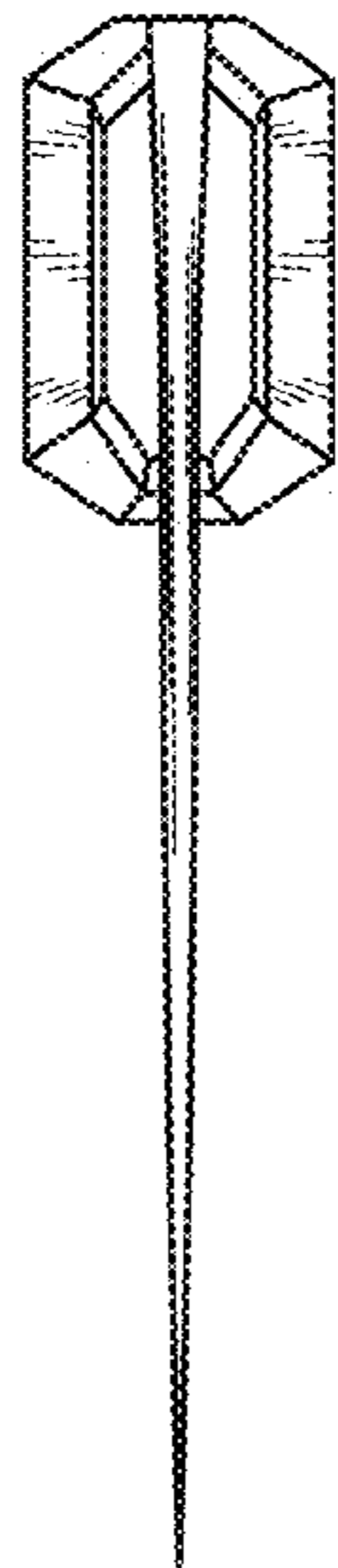


FIG. 3

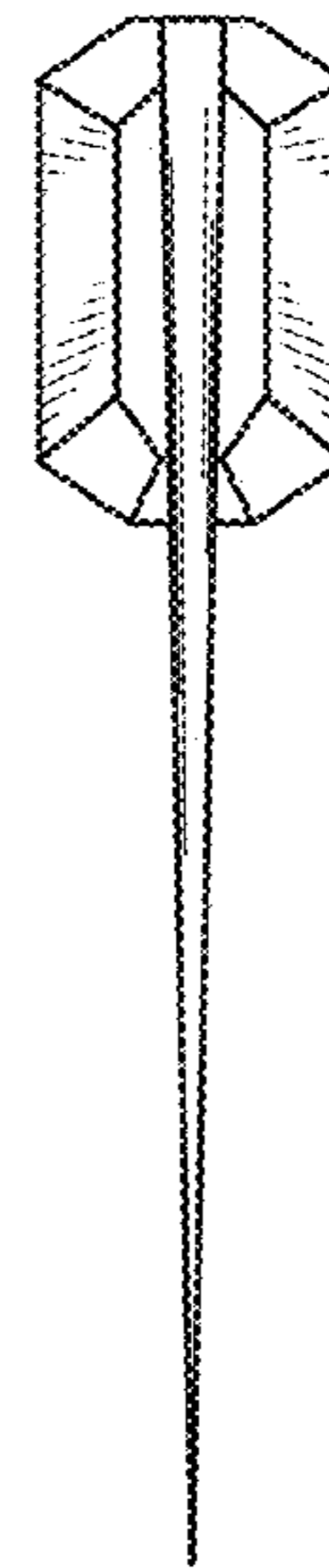


FIG. 4

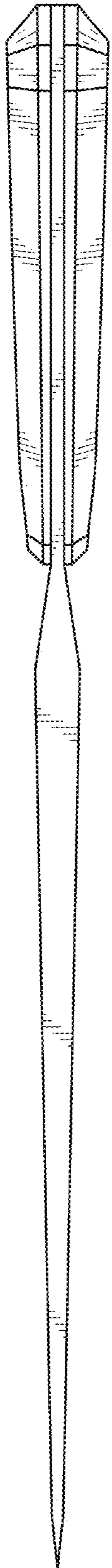


FIG. 5

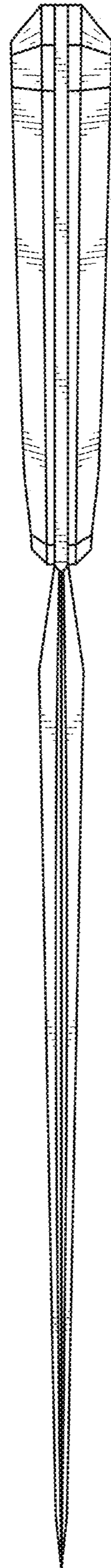


FIG. 6