



US00D891880S

(12) **United States Design Patent** (10) **Patent No.:** **US D891,880 S**  
**Clark et al.** (45) **Date of Patent:** **\*\* Aug. 4, 2020**

(54) **STORAGE STRIP FOR UTENSIL HOLDERS**

(71) Applicants: **Cole K. Clark**, Woodway, TX (US);  
**Travis J. Clark**, Woodway, TX (US)

(72) Inventors: **Cole K. Clark**, Woodway, TX (US);  
**Travis J. Clark**, Woodway, TX (US)

(\*\*) Term: **15 Years**

(21) Appl. No.: **29/675,861**

(22) Filed: **Jan. 5, 2019**

(51) **LOC (12) Cl.** ..... **07-07**

(52) **U.S. Cl.**  
USPC ..... **D7/641**

(58) **Field of Classification Search**  
USPC ..... D3/306; D6/566-574; D7/631,  
D7/637-641; 211/41.4, 70.7, 85.31,  
211/90.03, 106, 126.8, 126.9, 133.2,  
211/133.5; 220/485-488, 491; 248/37.3,  
248/37.6, 153, 175  
CPC . A47B 88/00; A47B 88/20; A47F 7/00; A47F  
7/14; A47G 21/00; A47G 21/16; B65D  
1/34; B65D 1/36; B65D 21/046; B65D  
21/048; G09F 1/14  
See application file for complete search history.

(56) **References Cited**

**U.S. PATENT DOCUMENTS**

D26,319 S	11/1896	Wood
2,651,927 A	9/1952	Mullins
D244,340 S	5/1977	Ashton
D292,861 S	11/1987	Dorper
4,834,328 A	5/1989	Hall

5,411,141 A	5/1995	Bounds	
D367,405 S *	2/1996	Bridger	D7/641
7,266,865 B1	9/2007	Rodin	
D664,403 S *	7/2012	Paulson	A47G 21/16
			D7/632
D705,018 S *	5/2014	Liotta	D7/601
D710,656 S *	8/2014	Stewart	D7/637
D723,875 S *	3/2015	Elattrache	D7/637
D758,807 S *	6/2016	Hepburn	D7/637
D759,435 S *	6/2016	Schubert	D7/637
D764,874 S *	8/2016	Tarantino	D7/601
2011/0114533 A1	5/2011	Le	
2012/0298807 A1	11/2012	Rayko	
2015/0157154 A1	6/2015	Rothenberg	

\* cited by examiner

*Primary Examiner* — Derrick E Holland

*Assistant Examiner* — Janice Patyk

(74) *Attorney, Agent, or Firm* — John A. Powell; Naman  
Howell Smith & Lee, PLLC

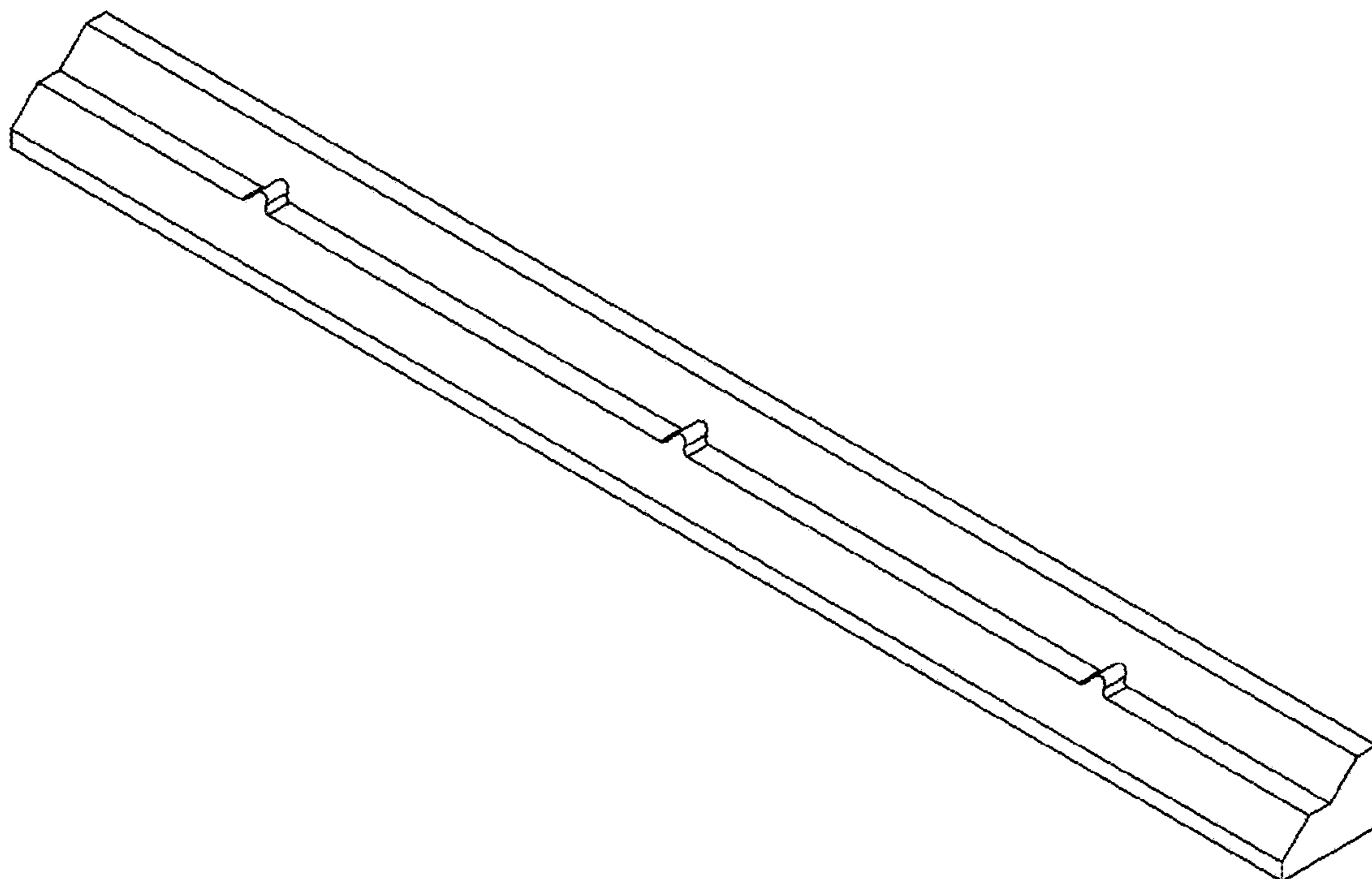
(57) **CLAIM**

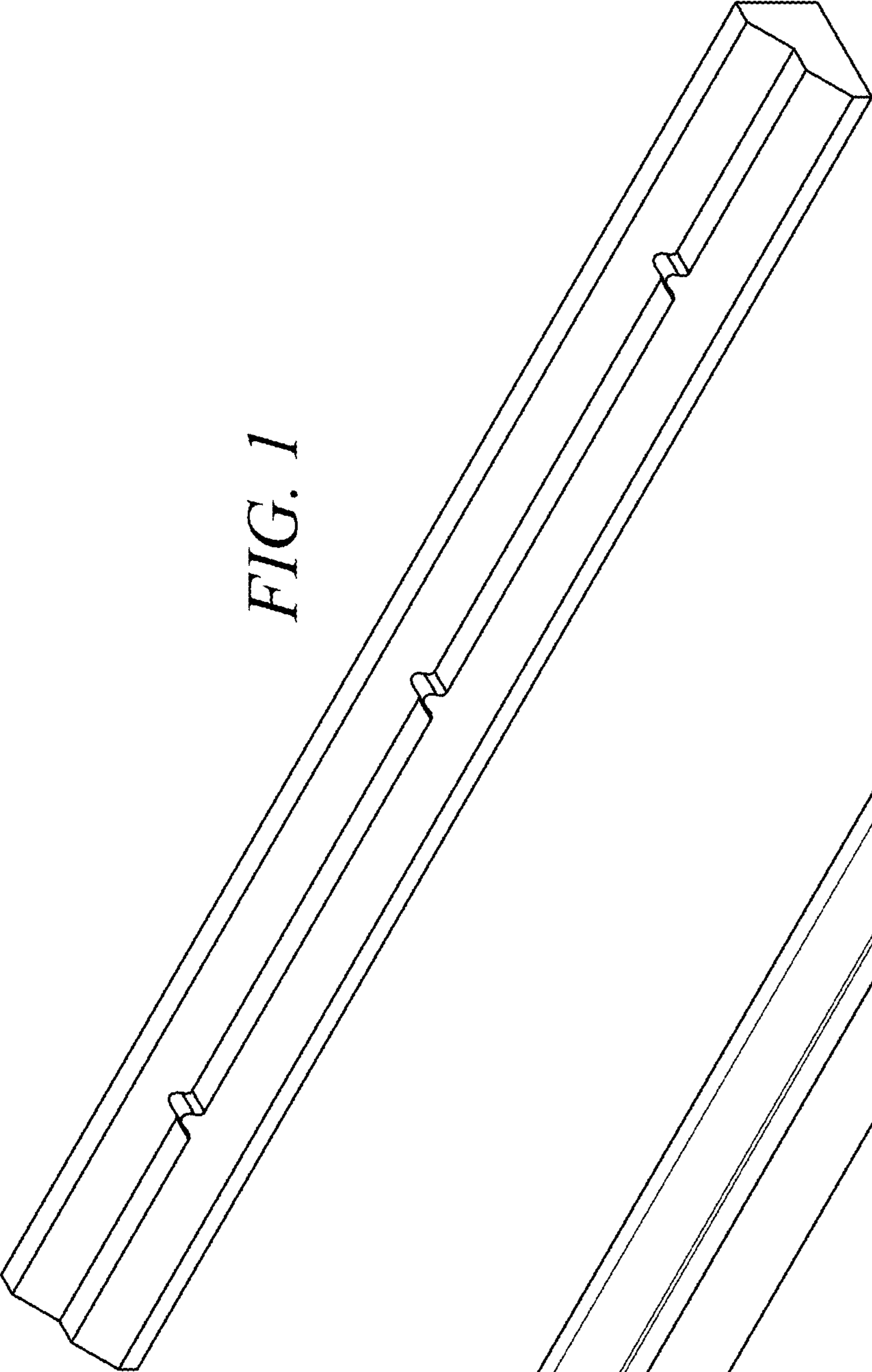
The ornamental design for a storage strip for utensil holders, as shown and described.

**DESCRIPTION**

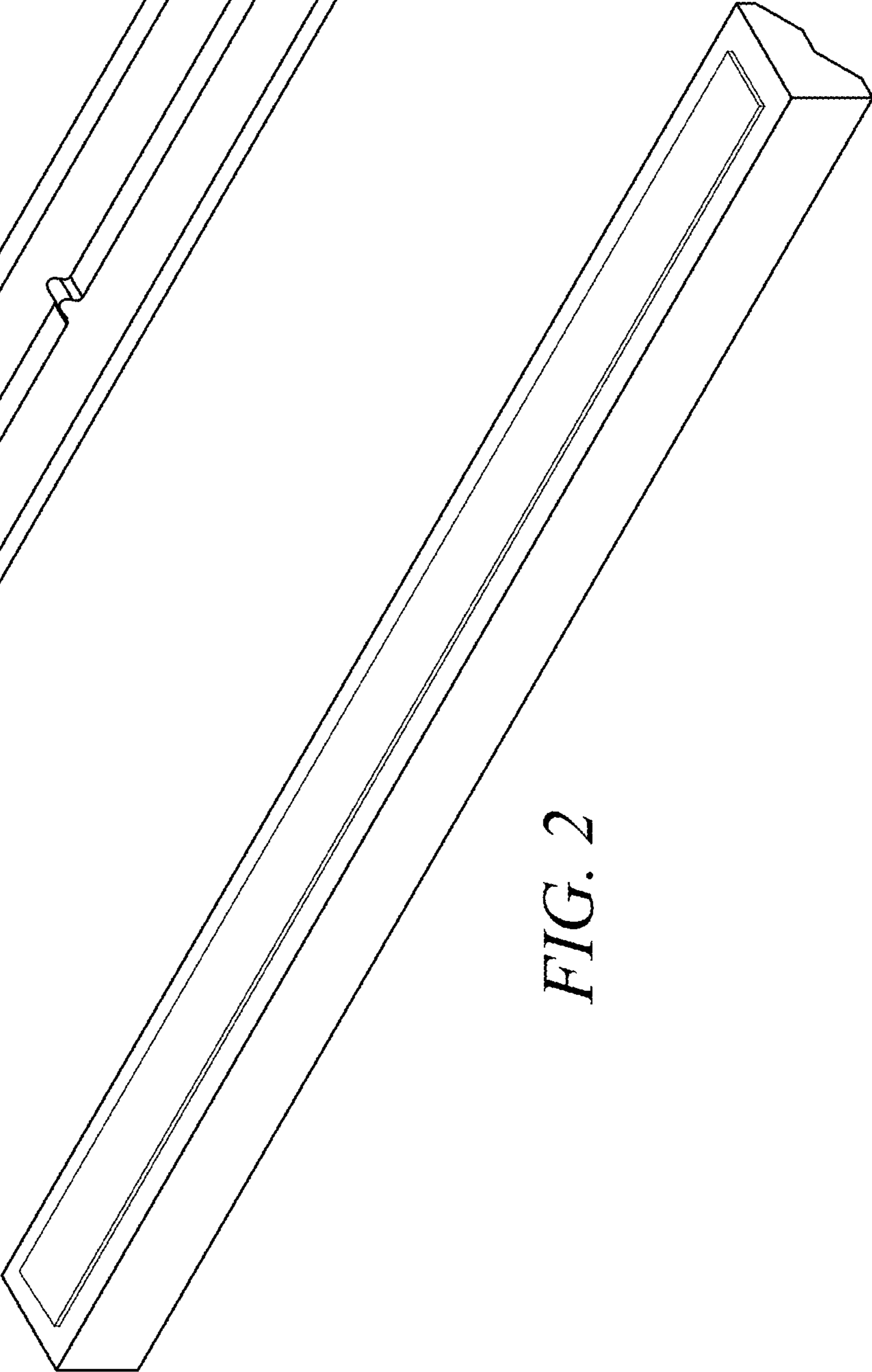
FIG. 1 is a top perspective view of a storage strip for utensil holders, showing our new design.  
FIG. 2 is a bottom perspective view thereof.  
FIG. 3 is a top view thereof.  
FIG. 4 is a bottom view thereof.  
FIG. 5 is a front view thereof.  
FIG. 6 is a right side view thereof.  
FIG. 7 is a left side view thereof; and,  
FIG. 8 is a back view thereof.

**1 Claim, 3 Drawing Sheets**

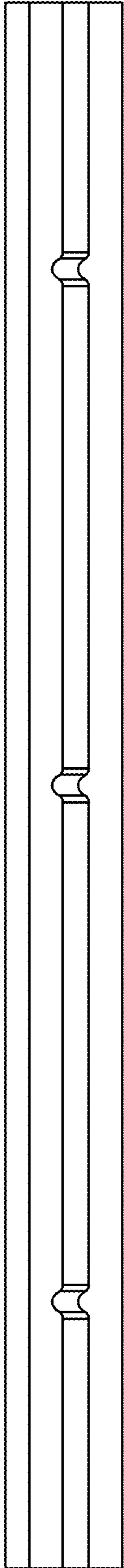




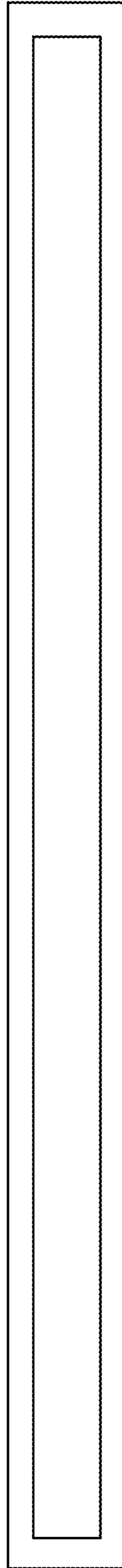
*FIG. 1*



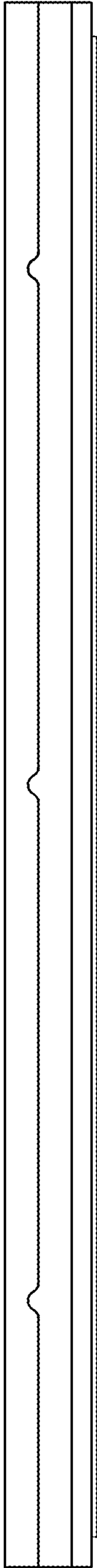
*FIG. 2*



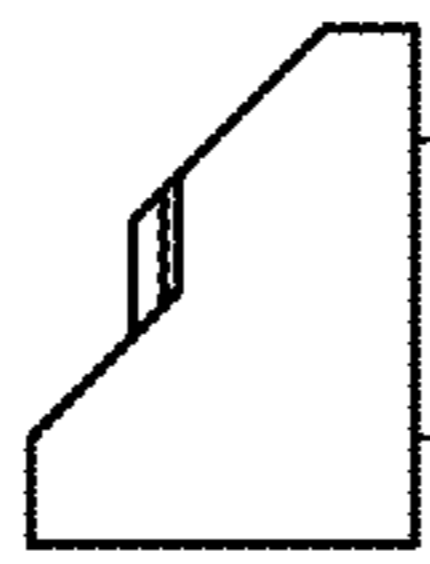
*FIG. 3*



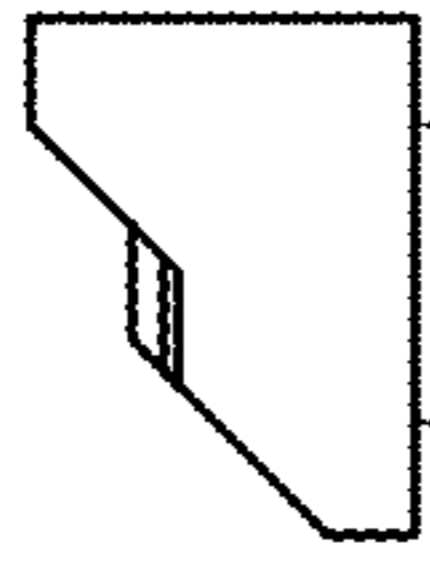
*FIG. 4*



*FIG. 5*



*FIG. 6*



*FIG. 7*



*FIG. 8*