



US00D891878S

(12) **United States Design Patent**  
**Nam**

(10) **Patent No.:** **US D891,878 S**

(45) **Date of Patent:** **\*\* Aug. 4, 2020**

(54) **TUMBLER HOLDER**

(71) Applicant: **Chang Hee Nam**, Gimhae-si (KR)

(72) Inventor: **Chang Hee Nam**, Gimhae-si (KR)

(\*\*) Term: **15 Years**

(21) Appl. No.: **29/691,381**

(22) Filed: **May 15, 2019**

(30) **Foreign Application Priority Data**

Mar. 4, 2019 (KR) ..... 30-2019-0009432

(51) **LOC (12) Cl.** ..... **09-03**

(52) **U.S. Cl.**  
USPC ..... **D7/622**

(58) **Field of Classification Search**  
USPC ..... D7/500, 584, 602, 600.4, 601, 605, 607,  
D7/608, 619.1, 620, 622, 624.1, 624.2,  
D7/624.3, 701, 704, 600.1, 600.2, 590;  
D6/705, 677.1, 574, 571  
CPC ..... B65D 25/22  
See application file for complete search history.

(56) **References Cited**

**U.S. PATENT DOCUMENTS**

871,622 A \* 11/1907 Pettee ..... A61J9/06  
248/102  
D350,259 S \* 9/1994 Ayotte ..... D7/620  
D356,161 S \* 3/1995 Peterson ..... D24/199  
D455,613 S \* 4/2002 Bruinsma ..... D7/622  
D480,969 S \* 10/2003 Owens ..... 220/4.27  
D611,819 S \* 3/2010 Slubski ..... D9/434

D707,503 S \* 6/2014 Dorn ..... D7/701  
D708,483 S \* 7/2014 Gut ..... D7/624.2  
D725,971 S \* 4/2015 Farhat ..... D7/622  
D792,168 S \* 7/2017 Gordon ..... D7/624.2  
D841,406 S \* 2/2019 Gupta ..... D7/624.2  
2020/0071026 A1\* 3/2020 Nance ..... B65D 25/22

\* cited by examiner

*Primary Examiner* — Karen S Acker

*Assistant Examiner* — Steven B Reinholdt, Jr.

(74) *Attorney, Agent, or Firm* — Heedong Chae; Lucem, PC

(57) **CLAIM**

The ornamental design for a tumbler holder, as shown and described.

**DESCRIPTION**

FIG. 1 is a perspective view of the tumbler holder showing my new design;  
FIG. 2 is a front elevational view thereof;  
FIG. 3 is a rear elevational view thereof;  
FIG. 4 is a left side view thereof;  
FIG. 5 is a right side view thereof;  
FIG. 6 is a top plan view thereof;  
FIG. 7 is a bottom plan view thereof;  
FIG. 8 is a perspective view thereof in an environment of use; and,  
FIG. 9 is a perspective view thereof in an environment of use.  
The broken lines in FIGS. 8 and 9 depict environmental subject matter only and form no part of the claimed design.

**1 Claim, 9 Drawing Sheets**

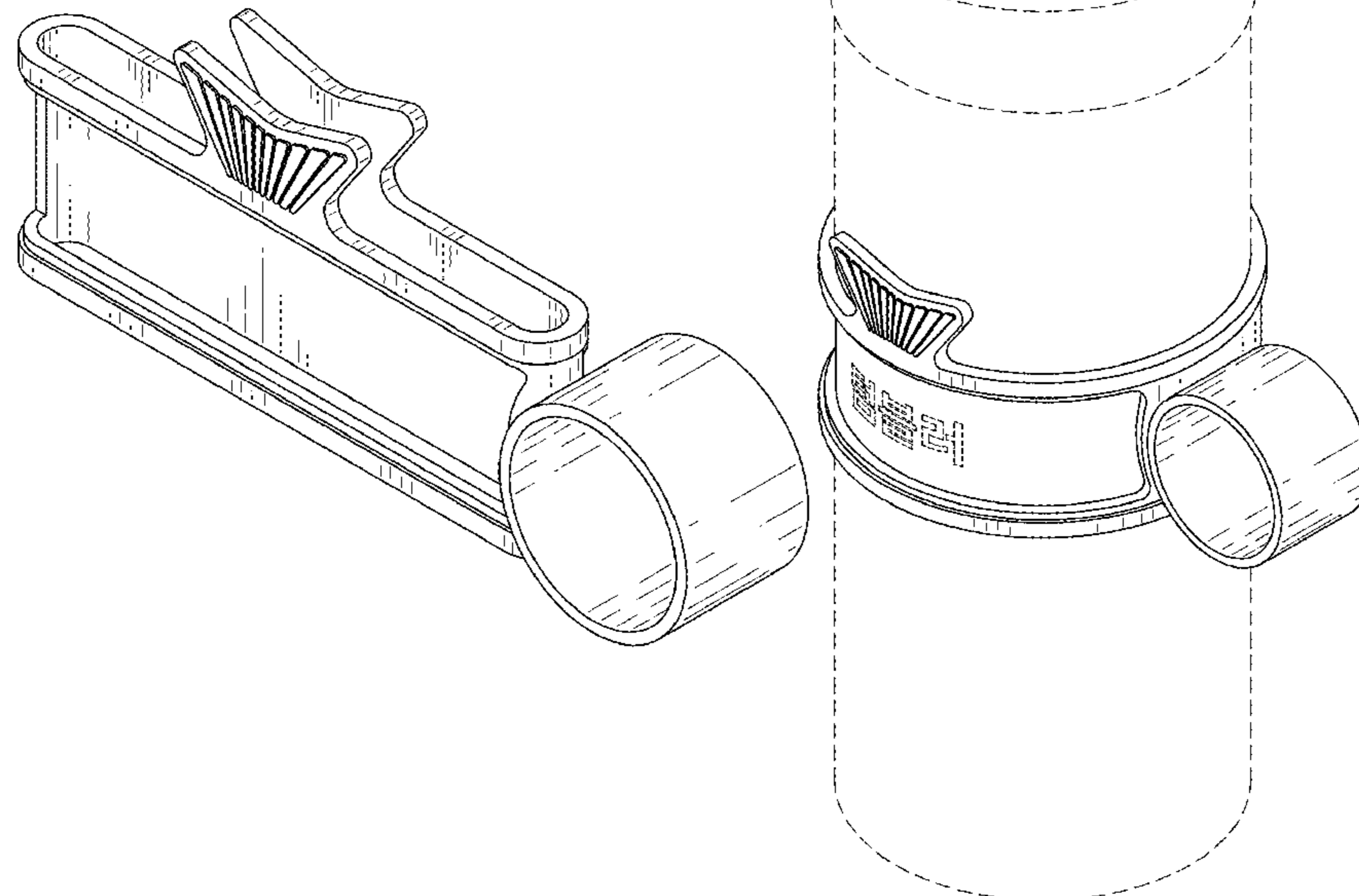


FIG. 1

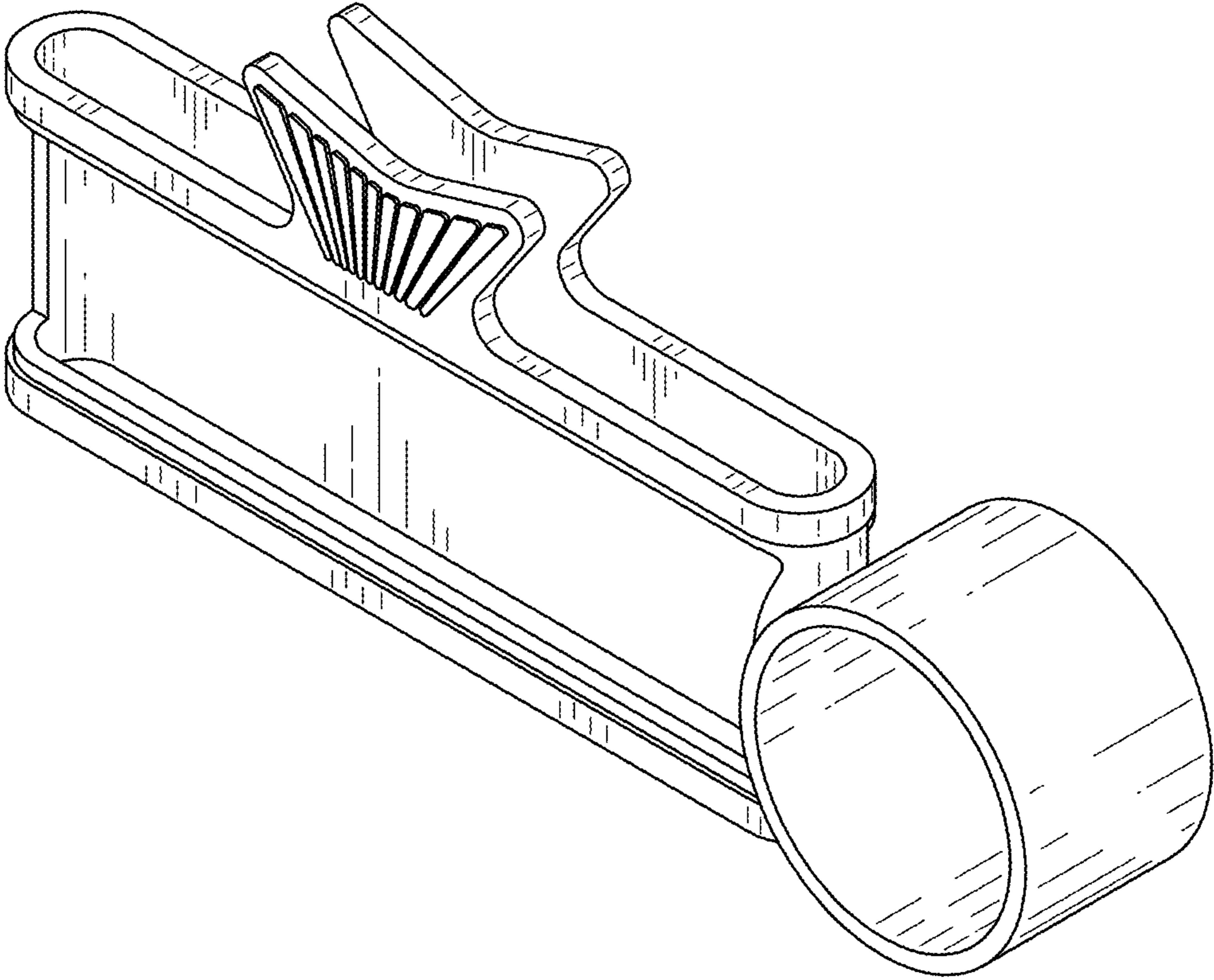


FIG. 2

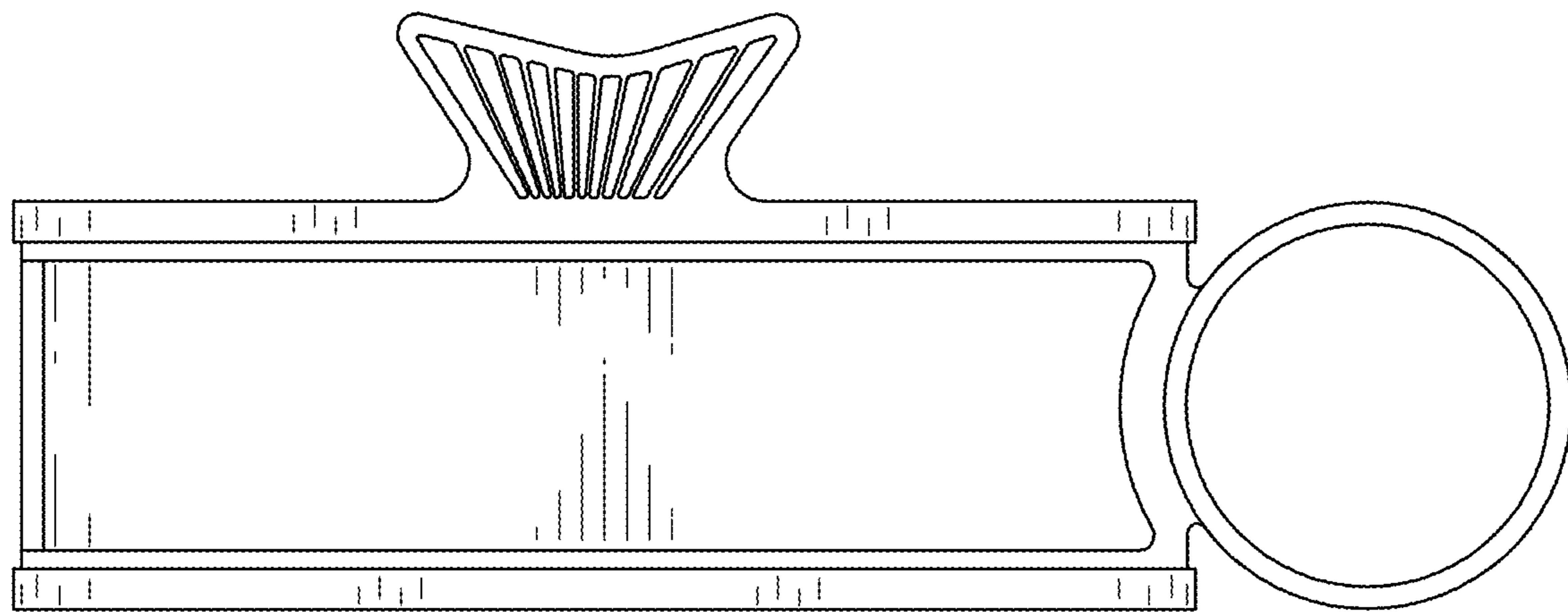


FIG. 3

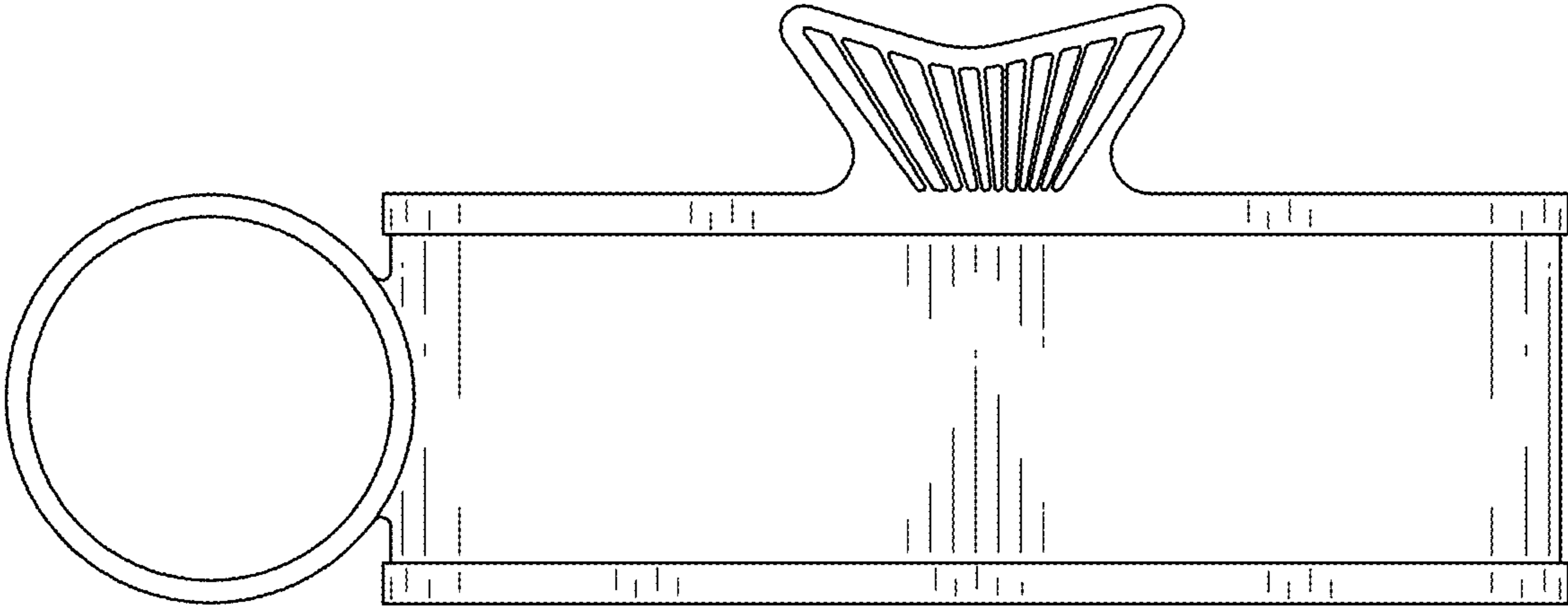


FIG. 4

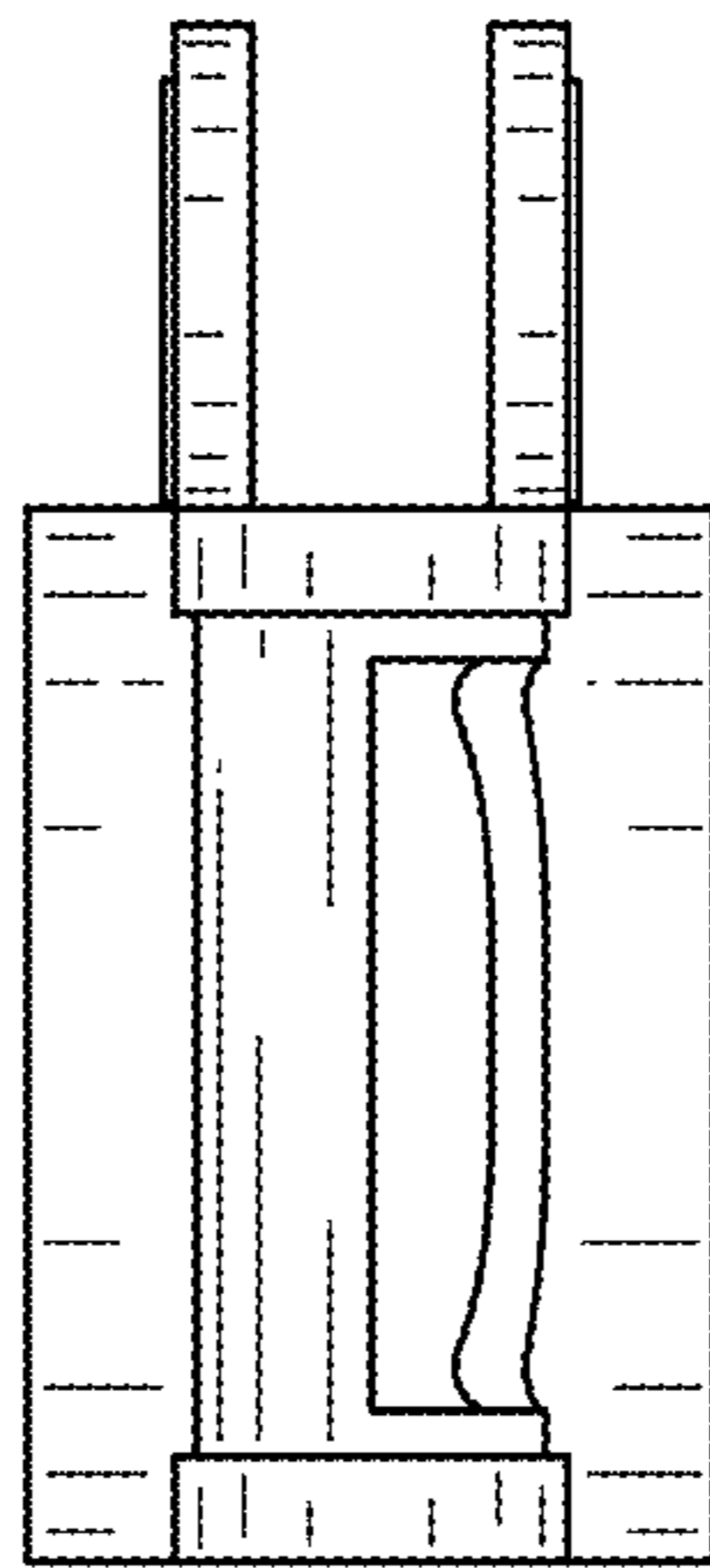


FIG. 5

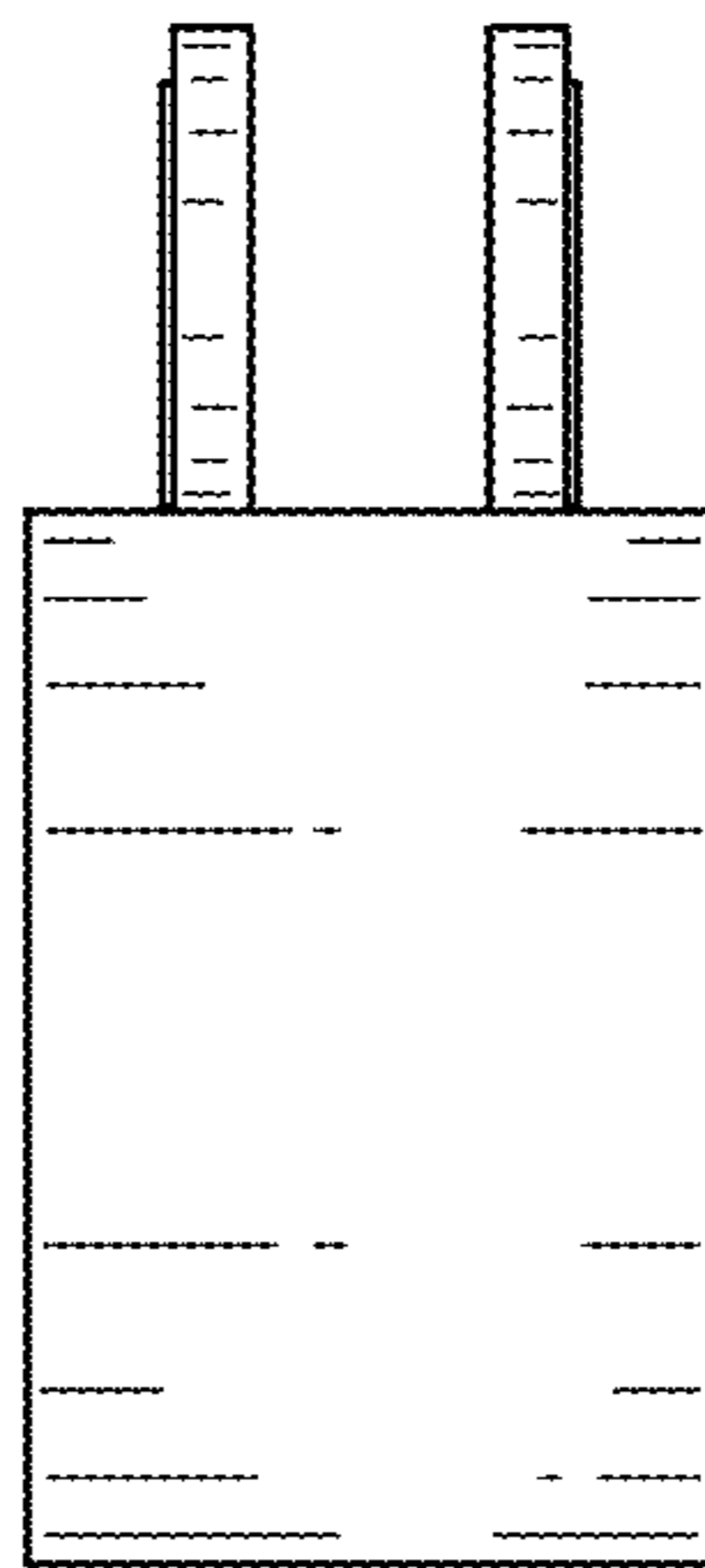


FIG. 6

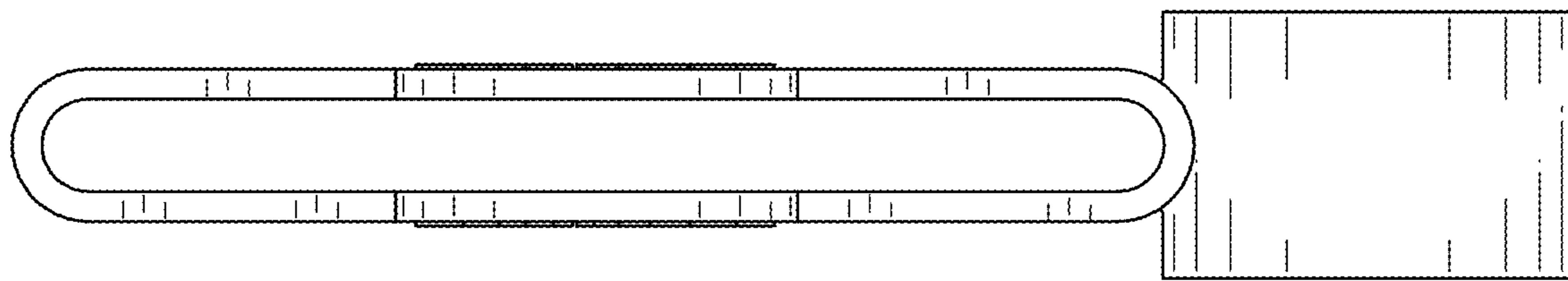


FIG. 7

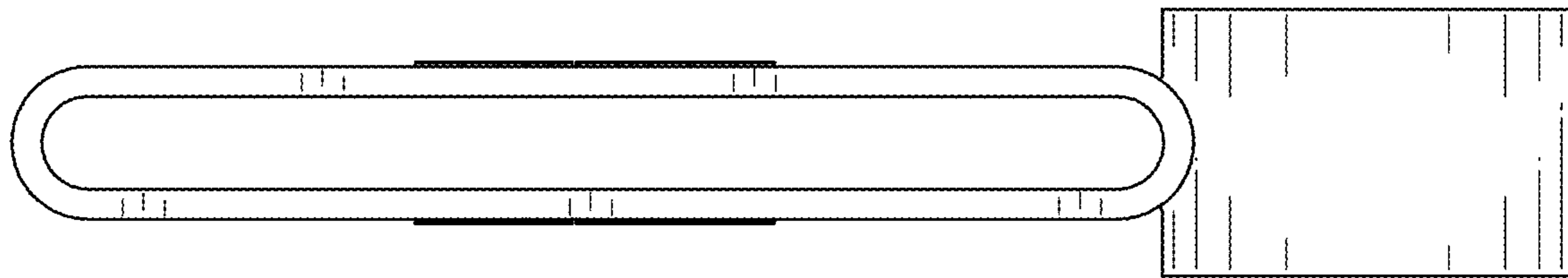




FIG. 8

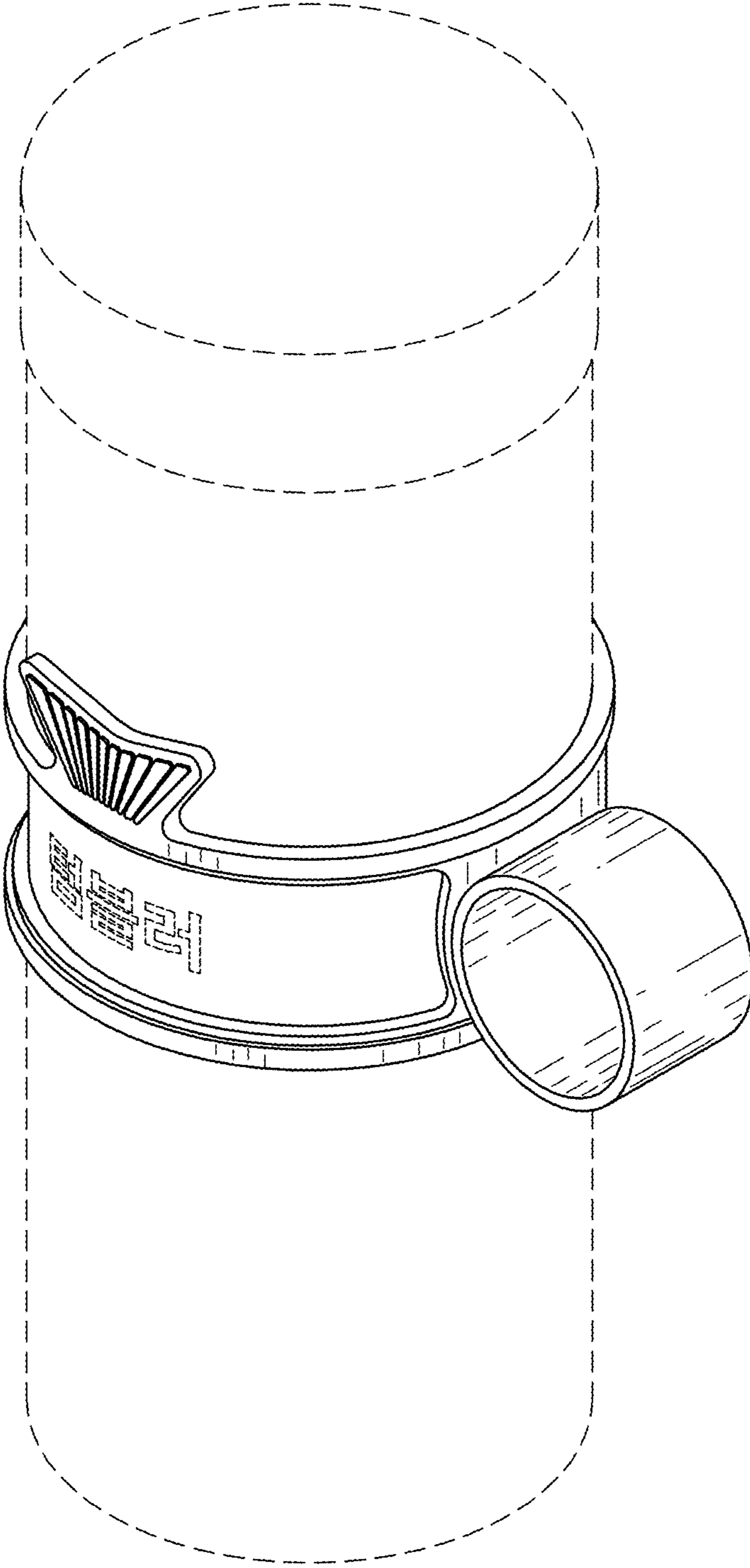


FIG. 9

