



US00D891877S

(12) **United States Design Patent**
Nam

(10) **Patent No.:** **US D891,877 S**

(45) **Date of Patent:** **** Aug. 4, 2020**

(54) **TUMBLER HOLDER**

(71) Applicant: **Chang Hee Nam**, Gimhae-si (KR)

(72) Inventor: **Chang Hee Nam**, Gimhae-si (KR)

(**) Term: **15 Years**

(21) Appl. No.: **29/691,380**

(22) Filed: **May 15, 2019**

(30) **Foreign Application Priority Data**

Dec. 28, 2018 (KR) 30-2018-0062447

(51) **LOC (12) Cl.** **09-03**

(52) **U.S. Cl.**
USPC **D7/622**

(58) **Field of Classification Search**
USPC D7/500, 584, 602, 600.4, 601, 605, 607,
D7/608, 619.1, 620, 622, 624.1, 624.2,
D7/624.3, 701, 704, 600.1, 600.2, 590;
D6/705, 677.1, 574, 571
CPC B65D 25/22
See application file for complete search history.

(56) **References Cited**

U.S. PATENT DOCUMENTS

871,622 A * 11/1907 Pettee A61J 9/06
248/102
D350,259 S * 9/1994 Ayotte D7/620
D356,161 S * 3/1995 Peterson D24/199
D455,613 S * 4/2002 Bruinsma D7/622

D480,969 S * 10/2003 Owens 220/4.27
D611,819 S * 3/2010 Slubski D9/434
D707,503 S * 6/2014 Dorn D7/701
D708,483 S * 7/2014 Gut D7/624.2
D725,971 S * 4/2015 Farhat D7/622
D792,168 S * 7/2017 Gordon D7/624.2
D841,406 S * 2/2019 Gupta D7/624.2
2020/0071026 A1 * 3/2020 Nance B65D 25/22

* cited by examiner

Primary Examiner — Karen S Acker

Assistant Examiner — Steven B Reinholdt, Jr.

(74) *Attorney, Agent, or Firm* — Heedong Chae; Lucem, PC

(57) **CLAIM**

The ornamental design for a tumbler holder, as shown and described.

DESCRIPTION

FIG. 1 is a perspective view of the tumbler holder showing my new design;
FIG. 2 is a front elevational view thereof;
FIG. 3 is a rear elevational view thereof;
FIG. 4 is a left side view thereof;
FIG. 5 is a right side view thereof;
FIG. 6 is a top plan view thereof;
FIG. 7 is a bottom plan view thereof; and,
FIG. 8 is a perspective view thereof in an environment of use.

The broken lines depict environmental subject matter only and form no part of the claimed design.

1 Claim, 8 Drawing Sheets

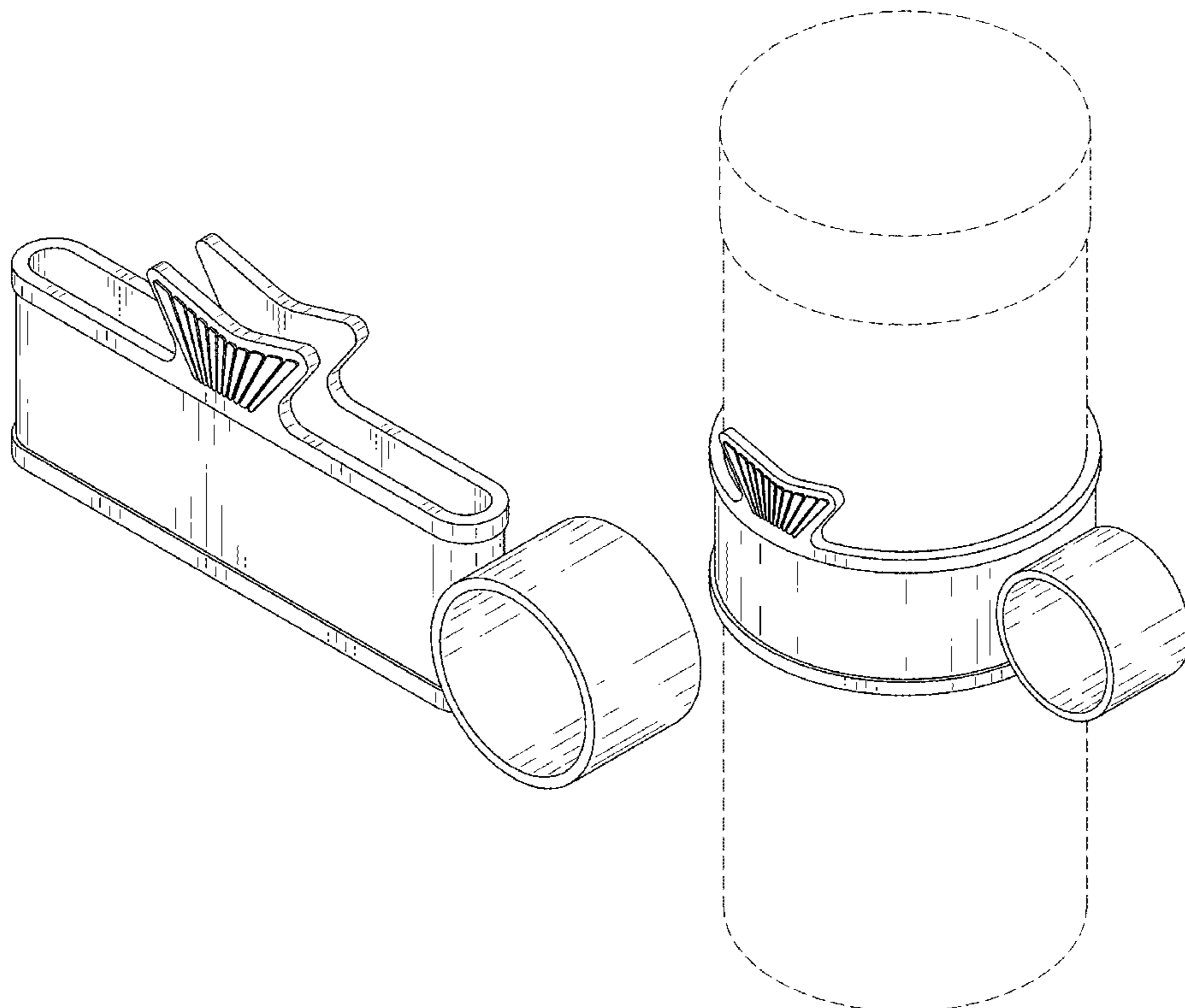


FIG. 1

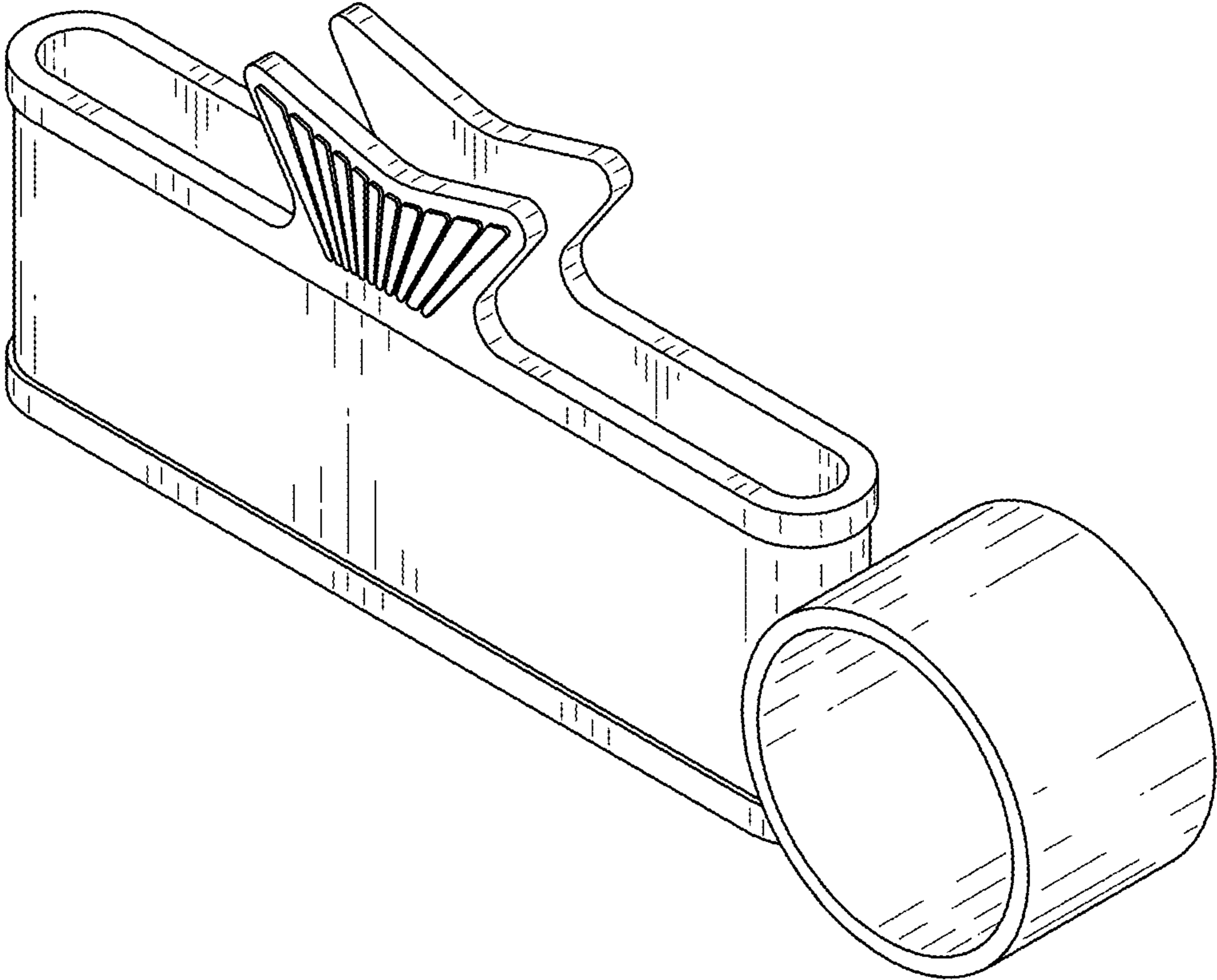


FIG. 2

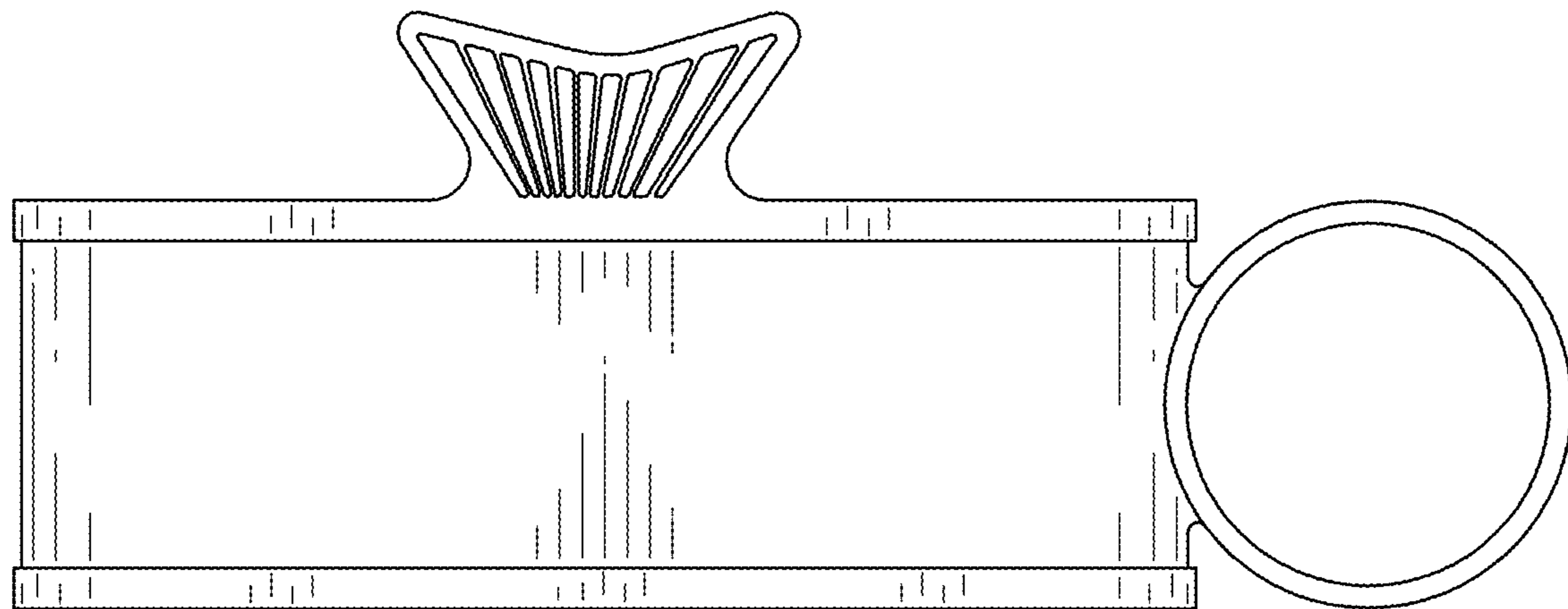


FIG. 3

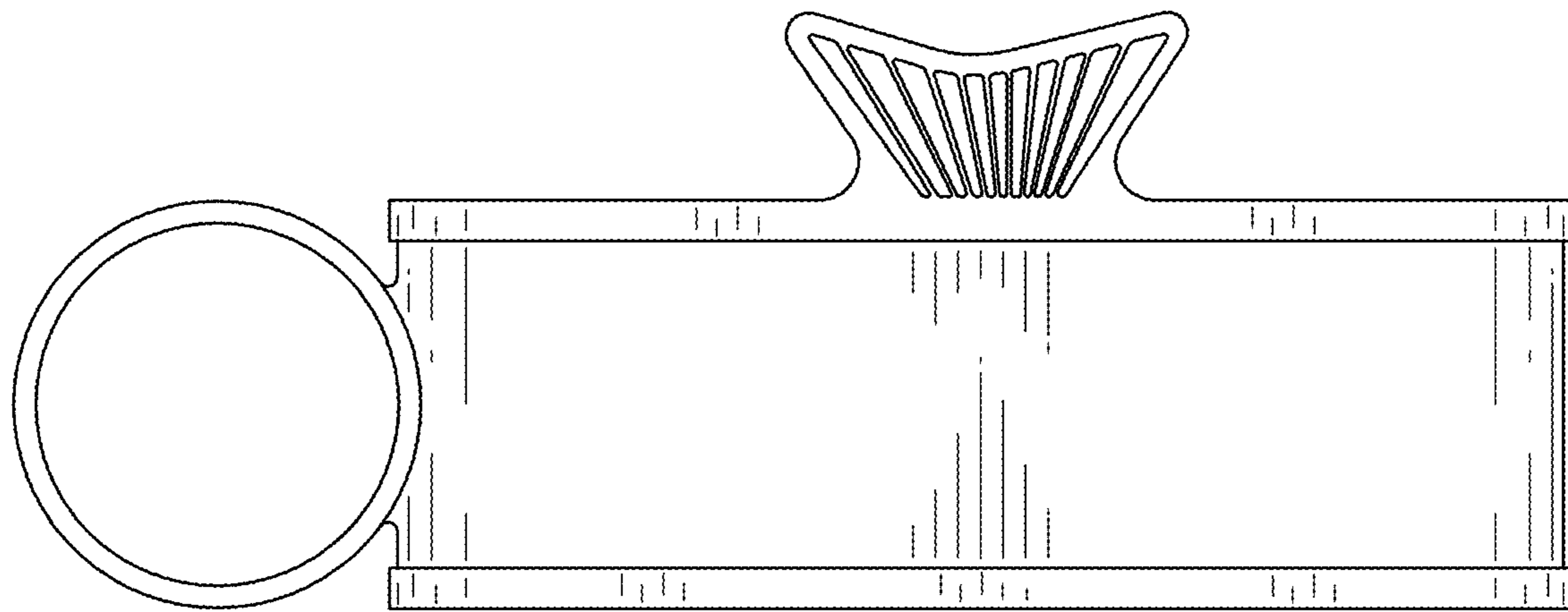


FIG. 4

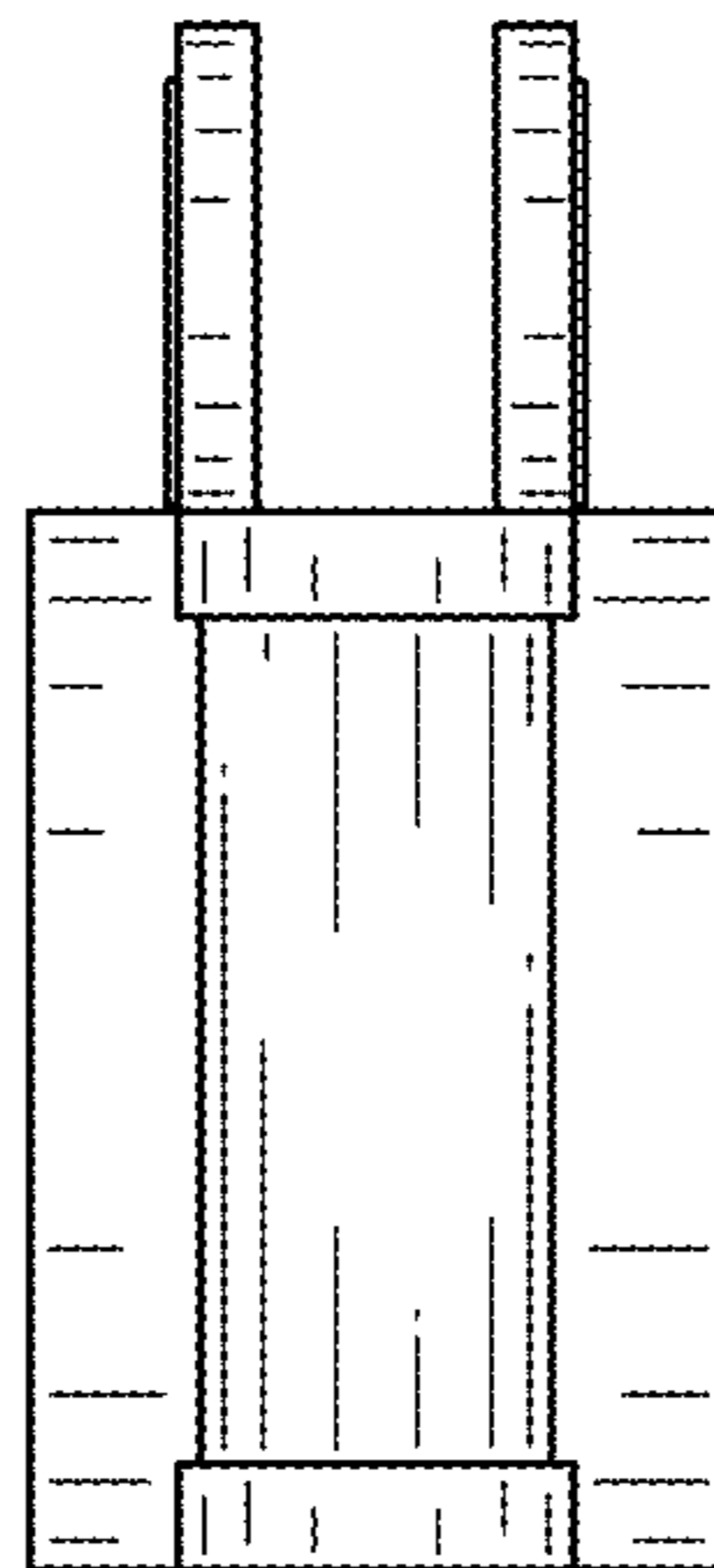


FIG. 5

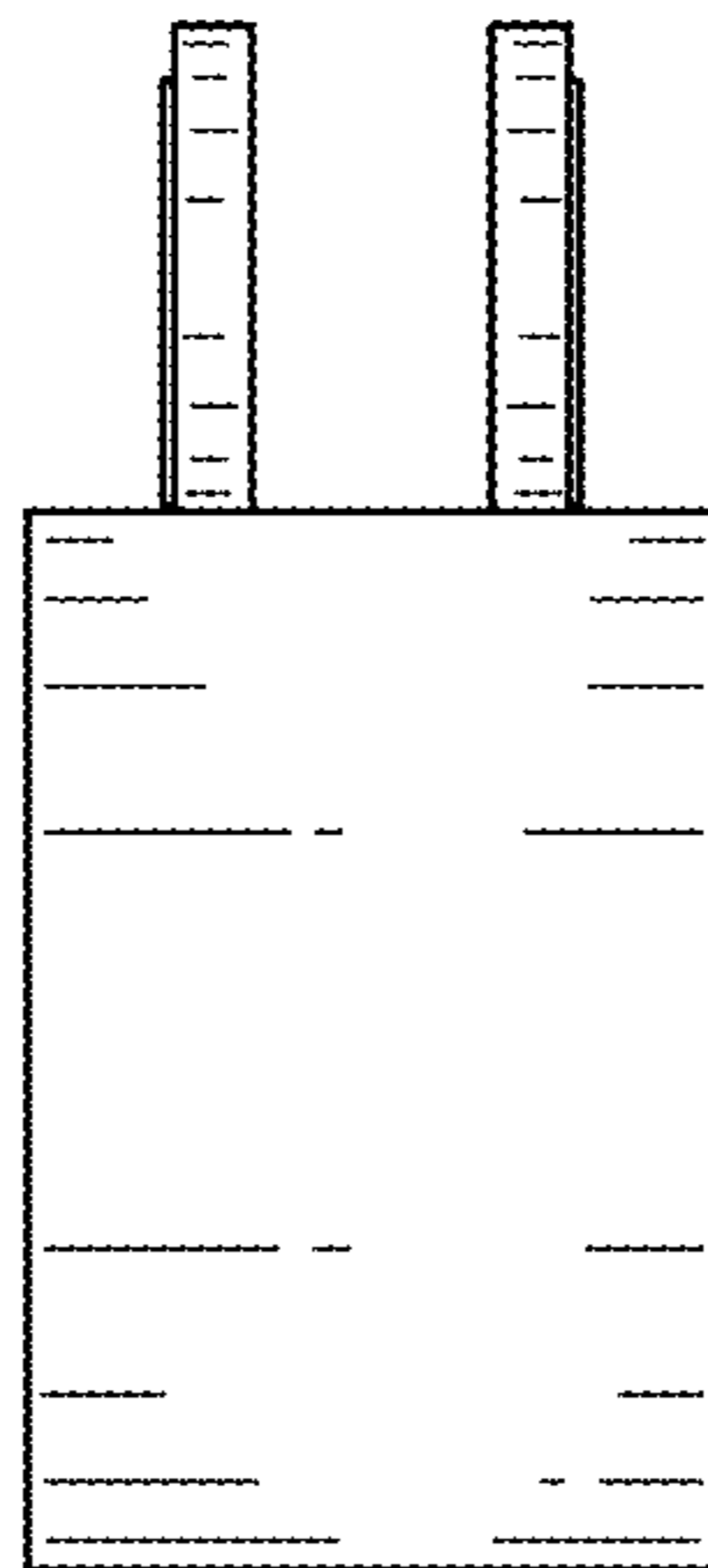


FIG. 6

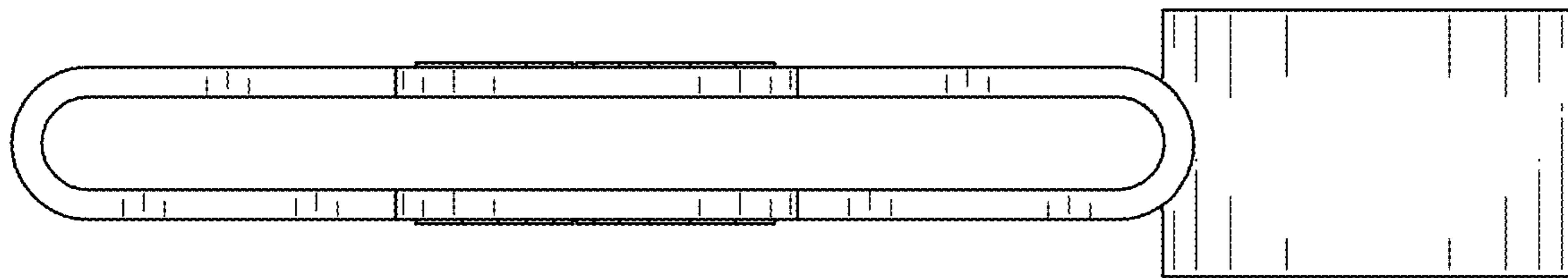


FIG. 7

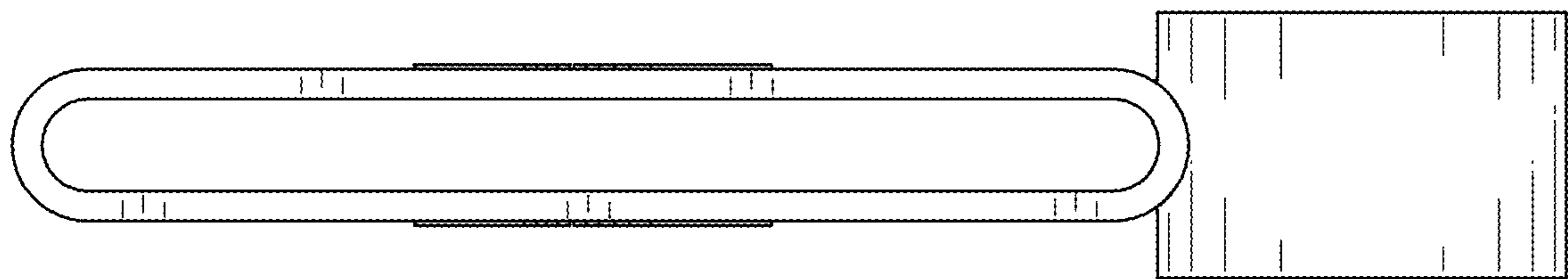


FIG. 8

