



US00D891875S

(12) **United States Design Patent** (10) **Patent No.:** **US D891,875 S**
Olson (45) **Date of Patent:** **** Aug. 4, 2020**

(54) **FRONT-LOADED INSULATED TRANSPORT CABINET**

(71) Applicant: **InterMetro Industries Corporation**, Wilkes-Barre, PA (US)

(72) Inventor: **Jeffrey C. Olson**, Dallas, PA (US)

(73) Assignee: **INTERMETRO INDUSTRIES CORPORATION**, Wilkes -Barre, PA (US)

(**) Term: **15 Years**

(21) Appl. No.: **29/642,257**

(22) Filed: **Mar. 28, 2018**

Related U.S. Application Data

(63) Continuation of application No. 29/593,335, filed on Feb. 8, 2017, now Pat. No. Des. 844,277, and a continuation-in-part of application No. 15/427,325, filed on Feb. 8, 2017, now Pat. No. 10,130,171.

(51) **LOC (12) Cl.** **07-01**

(52) **U.S. Cl.**

USPC **D7/605**; D34/19

(58) **Field of Classification Search**

USPC D7/605, 607, 608, 387; D3/273, 274, D3/277, 276, 284, 289, 287, 301, 304, D3/315, 318, 902, 314; D34/19, 20

CPC .. A45C 5/04; A45C 5/045; A45C 5/08; A45C 7/0077; A45C 11/20; A45C 2200/20; A45C 5/14; A45C 7/0036; A45C 9/00; A45C 13/02; A45C 15/00; A45C 2003/008; A45C 3/14; A45C 7/0068; F25D 3/08; B62B 2202/52; A47G 9/1045; A47B 31/00; A47B 2031/002

See application file for complete search history.

(56) **References Cited**

U.S. PATENT DOCUMENTS

1,490,575 A 4/1924 Masury
3,782,765 A 1/1974 Wallyn
D255,312 S * 6/1980 Uyeda D7/605

(Continued)

OTHER PUBLICATIONS

“Half-Height Heated Transport Cabinets* TC90 FlavorHold™ Series” InterMetro [Catalog], InterMetro Industries Corporation, Oct. 2011, two pages.

(Continued)

Primary Examiner — April Rivas

(74) *Attorney, Agent, or Firm* — Harness, Dickey & Pierce, P.L.C.

(57) **CLAIM**

The ornamental design for a front-loaded insulated transport cabinet, as shown and described.

DESCRIPTION

FIG. 1 is a front isometric view of the front-loaded insulated transport cabinet of the disclosure in the environment in which it may be used;

FIG. 2 is a front isometric view of the front-loaded insulated transport cabinet of the disclosure;

FIG. 3 is a front view of the front-loaded insulated transport cabinet of FIG. 2;

FIG. 4 is a back view of the front-loaded insulated transport cabinet of FIG. 2;

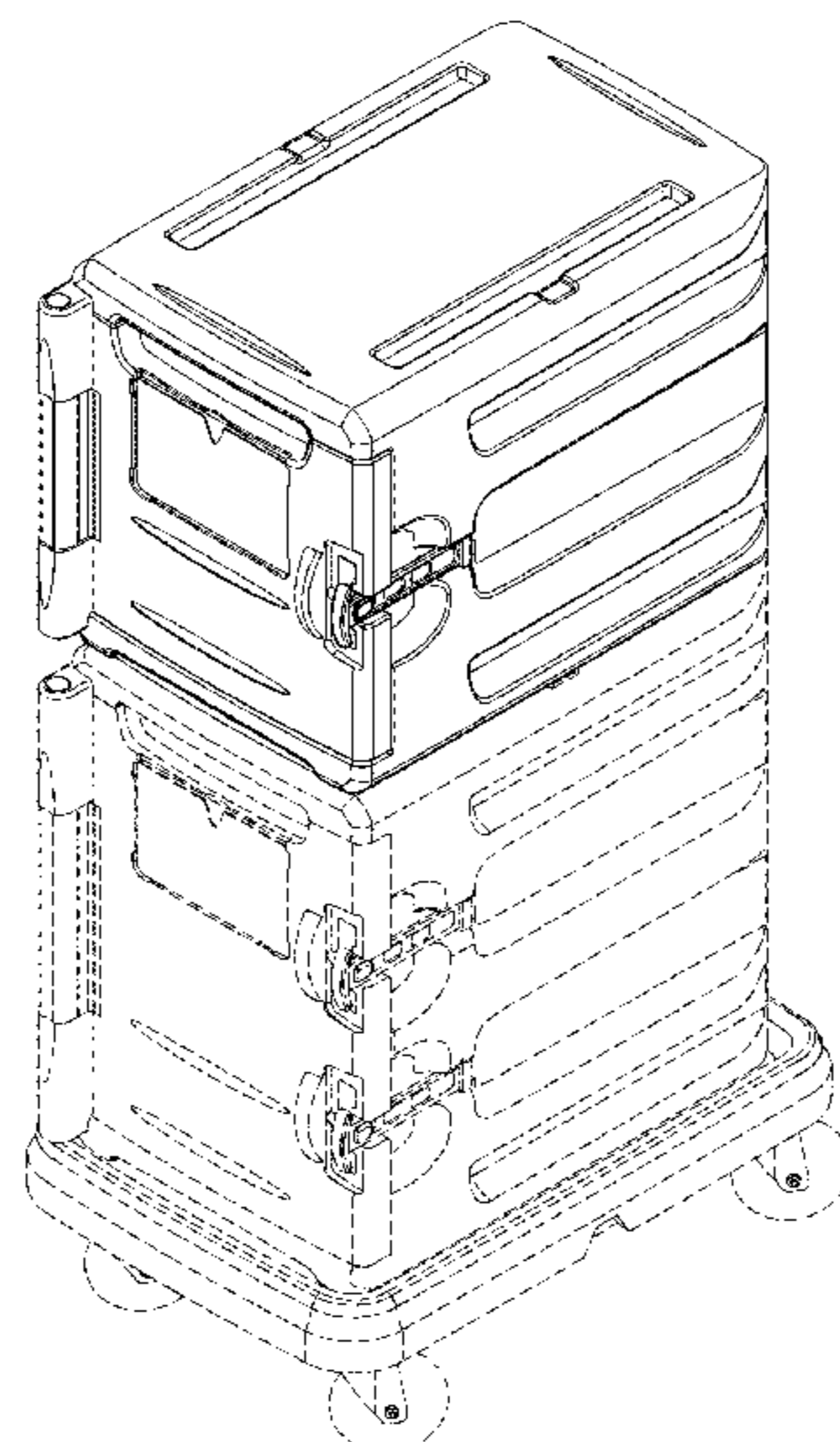
FIG. 5 is a top view of the front-loaded insulated transport cabinet of FIG. 2;

FIG. 6 is a right side view of the front-loaded insulated transport cabinet of FIG. 2; and,

FIG. 7 is a left side view of the front-loaded insulated transport cabinet of FIG. 2.

The broken lines in the drawings show an environment in which the front-loaded insulated transport cabinet may be used, are provided for illustrative purposes only and form no part of the claimed design.

1 Claim, 7 Drawing Sheets



(56)

References Cited

U.S. PATENT DOCUMENTS

4,845,959 A 7/1989 Magee
 D357,600 S 4/1995 Chen
 D381,166 S * 7/1997 Bonazza D34/19
 5,697,500 A 12/1997 Walker
 D393,128 S 3/1998 Maddux
 D398,727 S 9/1998 Maddux
 5,890,613 A 4/1999 Williams
 5,908,213 A 6/1999 Tippetts et al.
 D440,369 S * 4/2001 LaFollette, Jr. D34/19
 6,398,272 B1 6/2002 Plummer et al.
 7,134,552 B1 * 11/2006 McDonagh A47J 47/14
 206/545
 D573,400 S 7/2008 Olson
 7,458,441 B2 12/2008 Hu
 D605,899 S 12/2009 Meether
 D637,373 S 5/2011 Benning
 D647,751 S 11/2011 Olson
 D679,467 S 4/2013 Nicholson
 D679,468 S * 4/2013 Nicholson D34/19
 D697,685 S 1/2014 Maddux
 8,910,819 B2 12/2014 Seiders
 D723,237 S * 2/2015 Maddux D34/12
 D767,230 S * 9/2016 Olson D34/19
 D781,583 S 3/2017 Bowen
 D785,410 S * 5/2017 Jarvis D7/601
 D786,607 S * 5/2017 Maddux D7/323
 10,130,171 B2 * 11/2018 Olson A47B 31/00
 D844,277 S * 3/2019 Olson D34/19
 10,349,740 B2 7/2019 Olson et al.
 2003/0150768 A1 8/2003 Dege
 2006/0032860 A1 2/2006 Hase
 2006/0070814 A1 4/2006 Hu

2011/0220531 A1 9/2011 Meether
 2012/0104001 A1 5/2012 Kulzer
 2013/0270988 A1 10/2013 Nicholson
 2013/0307387 A1 11/2013 Dufoure
 2014/0352929 A1 12/2014 Wu et al.
 2016/0251124 A1 9/2016 Arnold et al.
 2016/0370082 A1 12/2016 Olivo

OTHER PUBLICATIONS

“Metro C5 3 Series Insulation Armour™ Heated Holding and Proofing Cabinets” InterMetro [Catalog], InterMetro Industries Corporation, May 2012, two pages.
 “Metro C5 4 Series Insulation Armour™ Plus Transport Cabinets” InterMetro [Catalog], InterMetro Industries Corporation, May 2016, two pages.
 “Metro C5 T-Series Transport Armour™ Heavy-Duty Heated Holding Cabinet” InterMetro [Catalog], InterMetro Industries Corporation, Feb. 2011, two pages.
 Metro, “Mightylite Insulated Pan Carriers”, Accessed Jan. 25, 2018. (<http://www.metro.com/mightylite-pan-carriers>).
 Google shopping search result “Carlisle PC600N59—Food Carrier, Slate Blue, End Loader”, Reviewed first on Sep. 24, 2012. (https://www.google.com/shopping/product/12447416843914247339?q=mightylite%20pan&rlz=1C1GGRV_enUS768US768&biw=1536&bih=871&sa=X&ved=0ahUKEwjD0K3_9_PYAhUS0FMKHxcoDgYQrRIIVA&prds=hsec:reviews).
 Google image search results for “insulated food cart”. Search made on Feb. 16, 2018. ([https://www.google.com/search?q=insulated+food+cart&rlz=1C1GGRV_enUS768US768&source=lnms&tbm=isch&sa=X&ved=0ahUKEwjewoDW9_PYAhXB21MKHbt3BIMQ_AUICyG&biw=1536&bih=871#imgrc=_\)](https://www.google.com/search?q=insulated+food+cart&rlz=1C1GGRV_enUS768US768&source=lnms&tbm=isch&sa=X&ved=0ahUKEwjewoDW9_PYAhXB21MKHbt3BIMQ_AUICyG&biw=1536&bih=871#imgrc=_))).

* cited by examiner

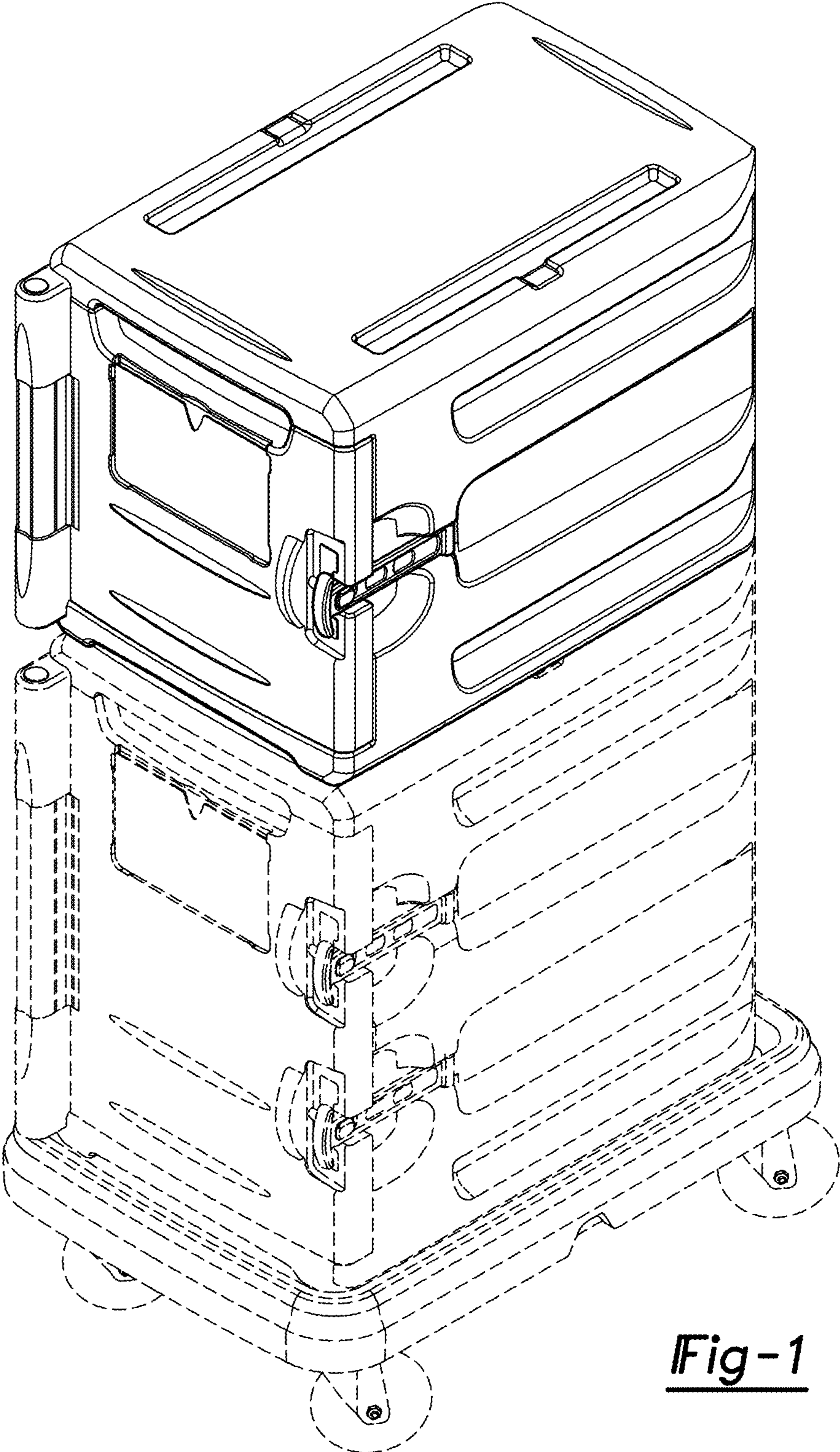


Fig-1

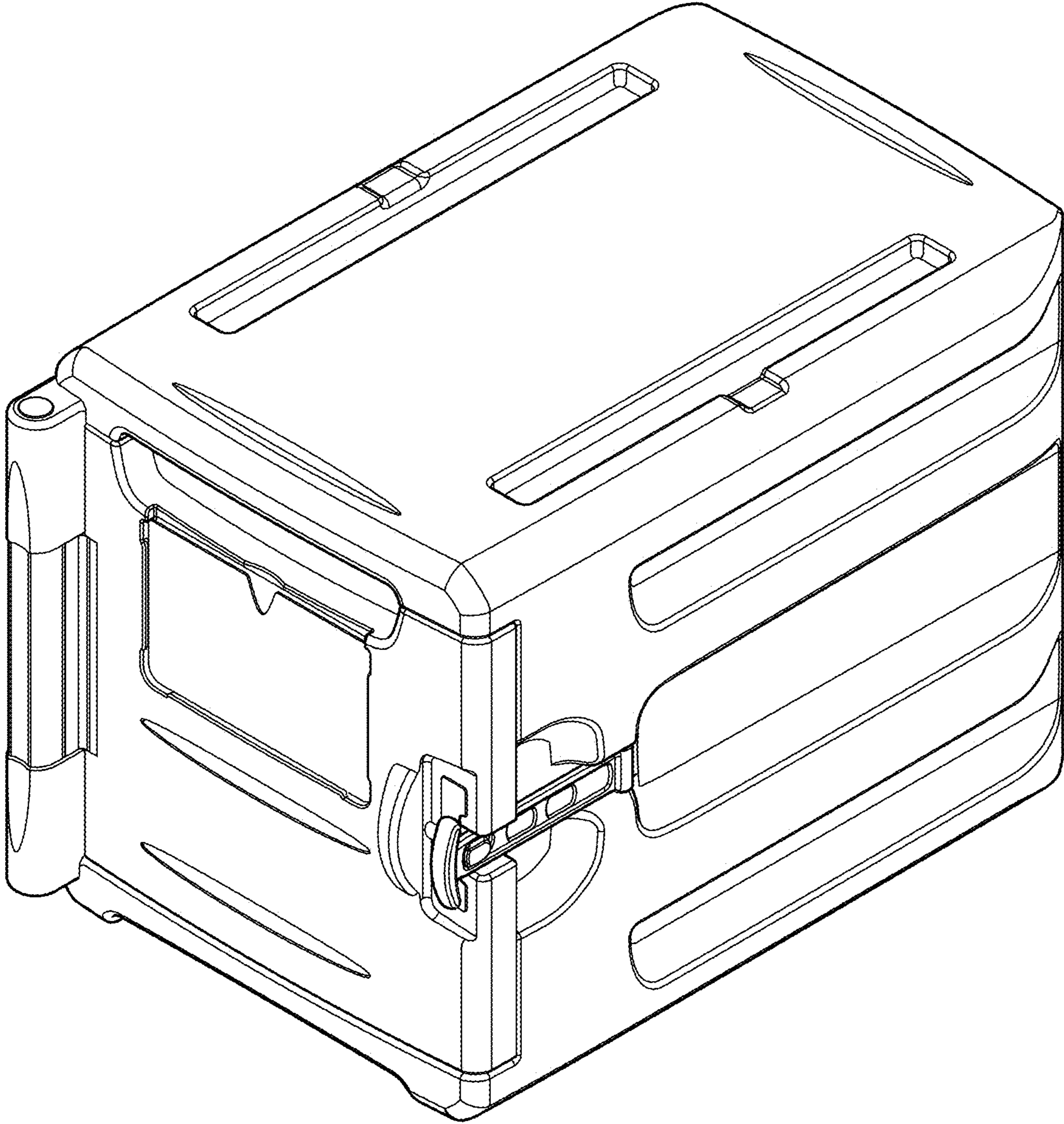


Fig-2

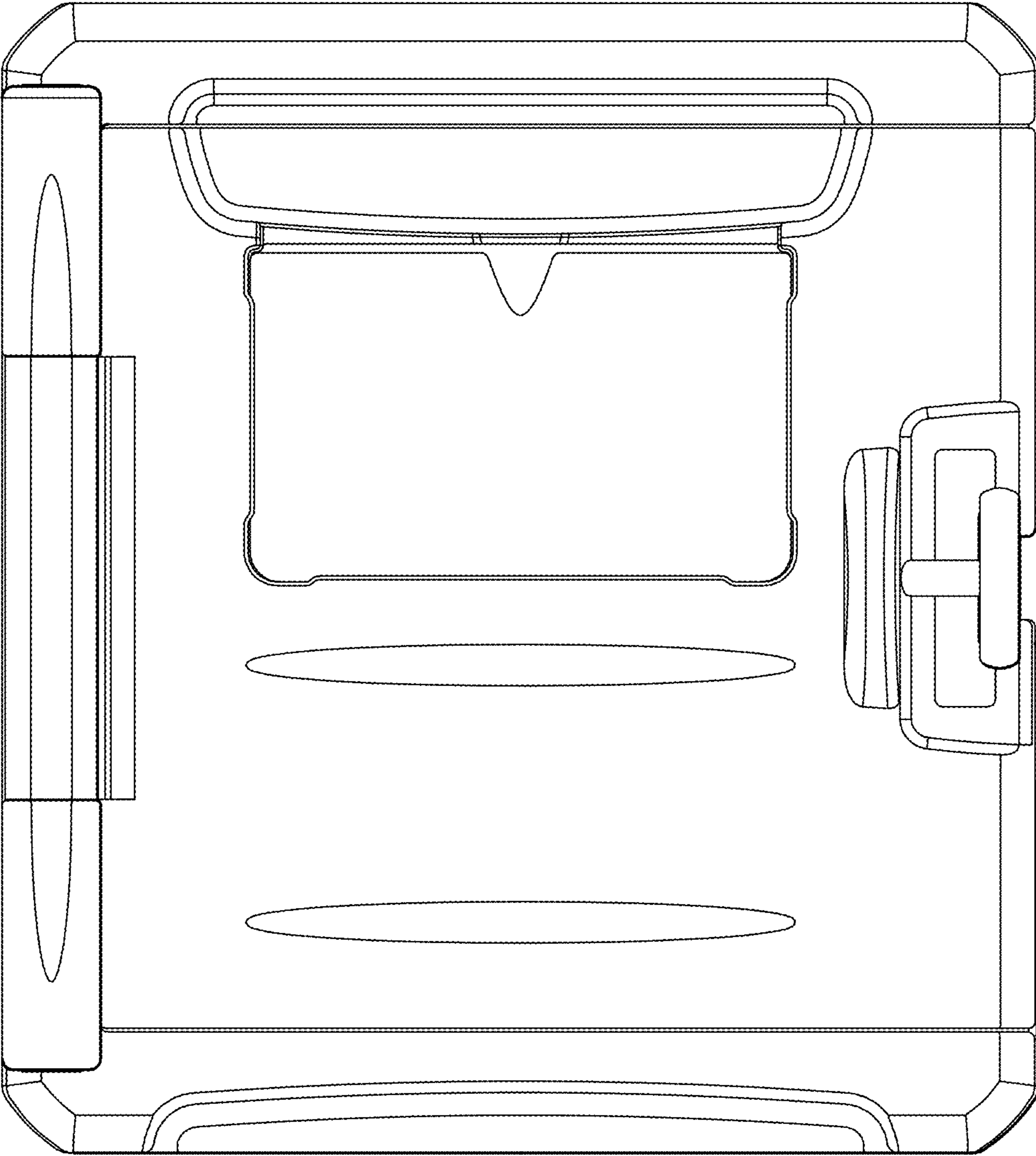


Fig-3

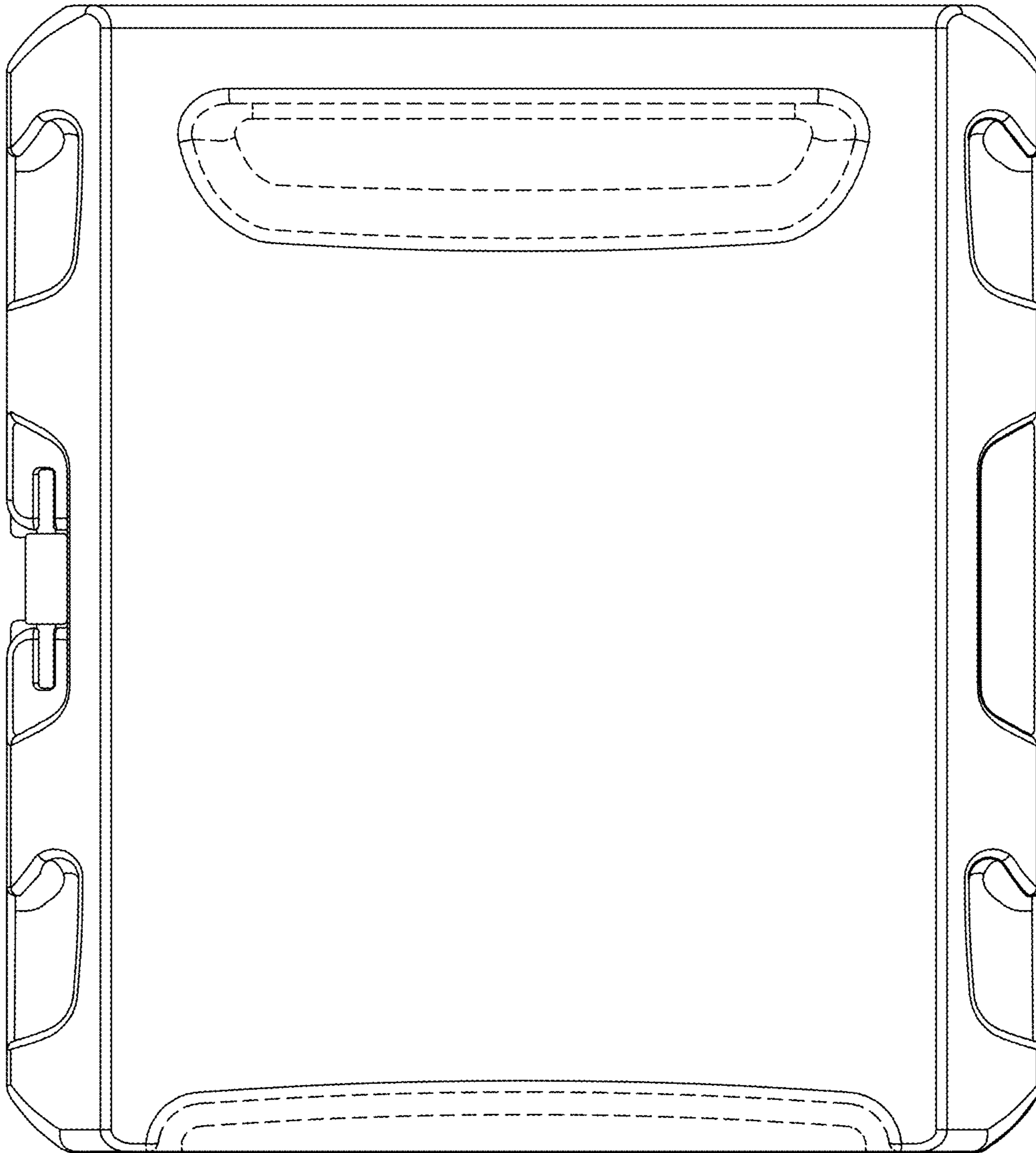


Fig-4

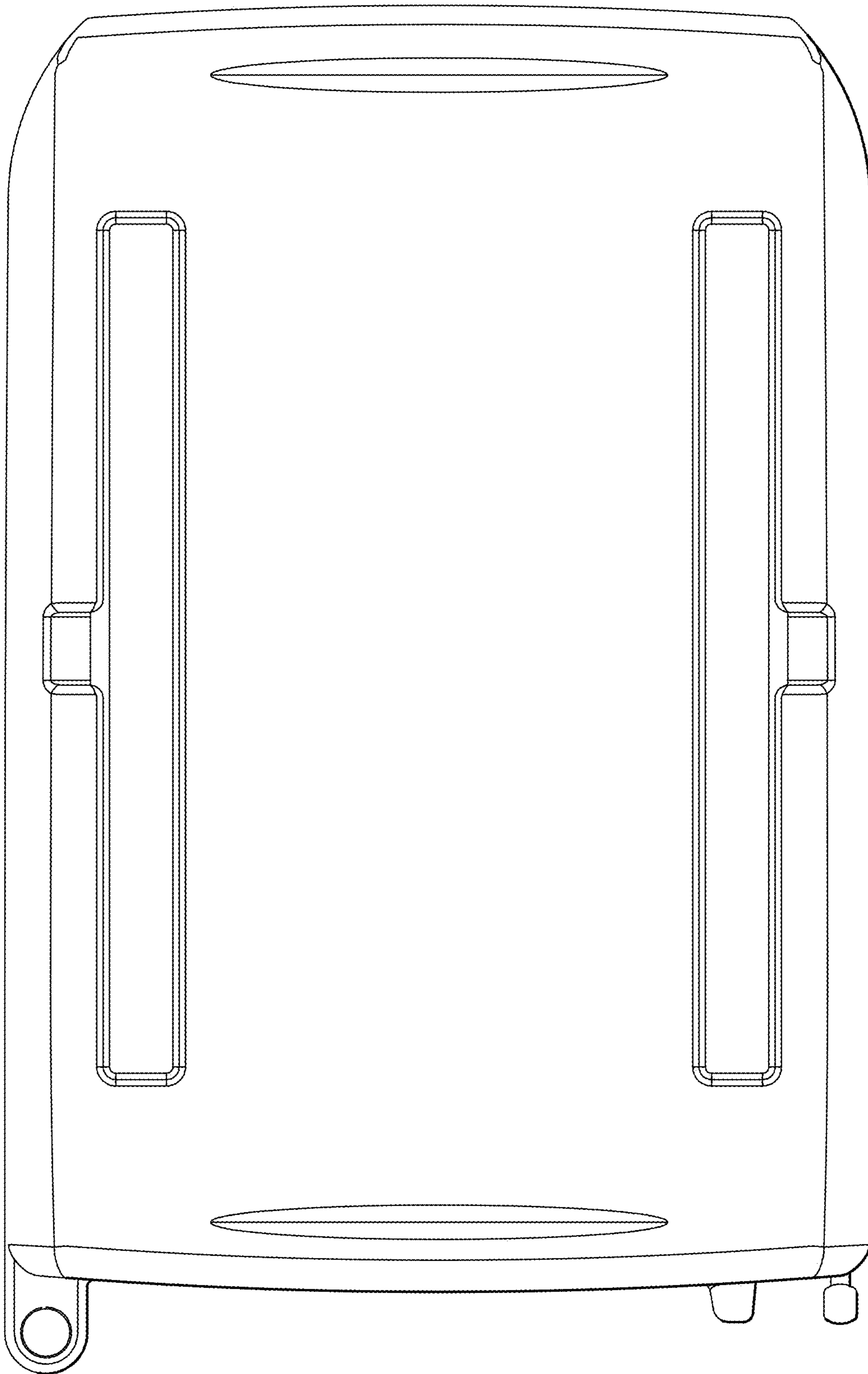


Fig-5

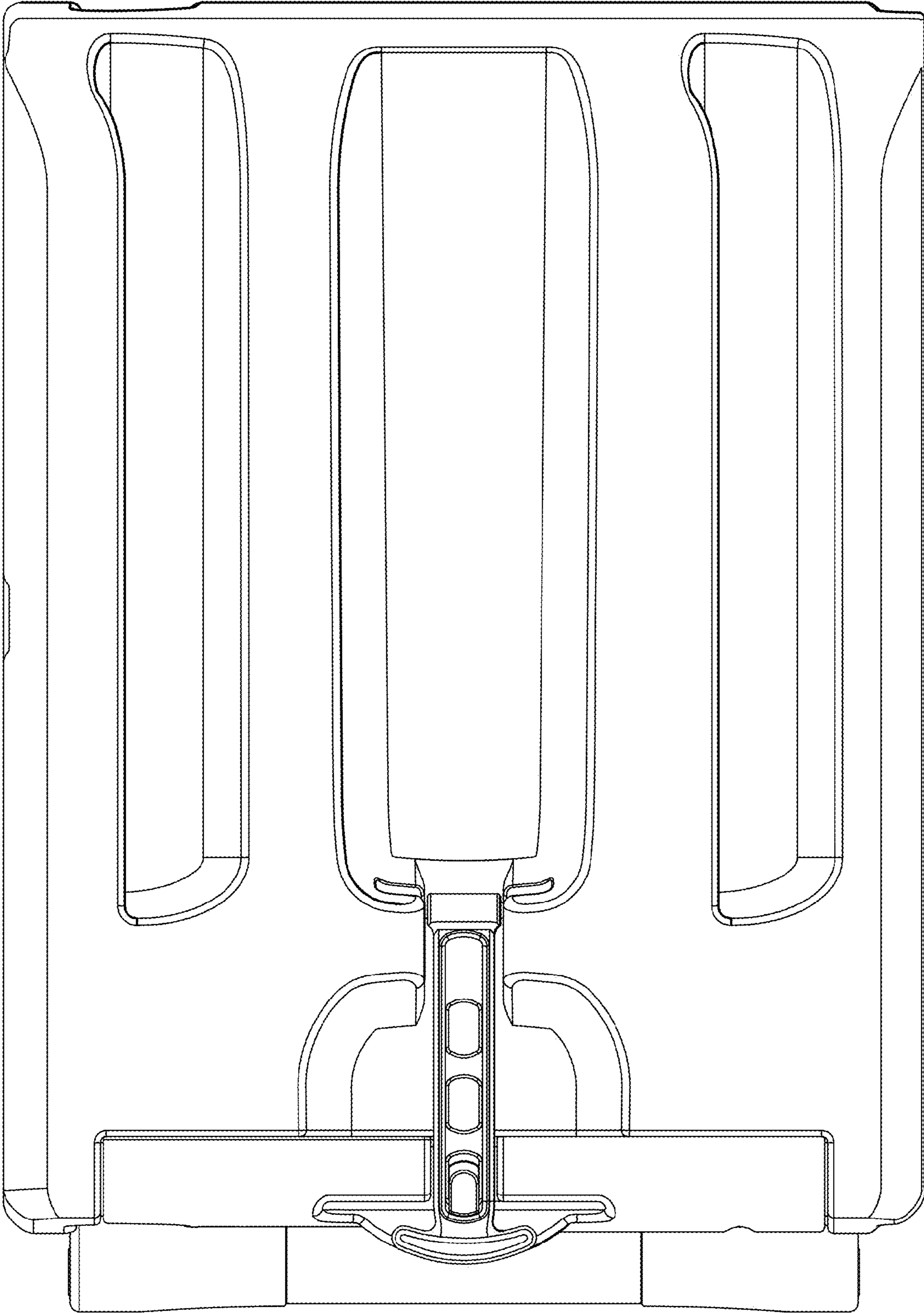


Fig-6

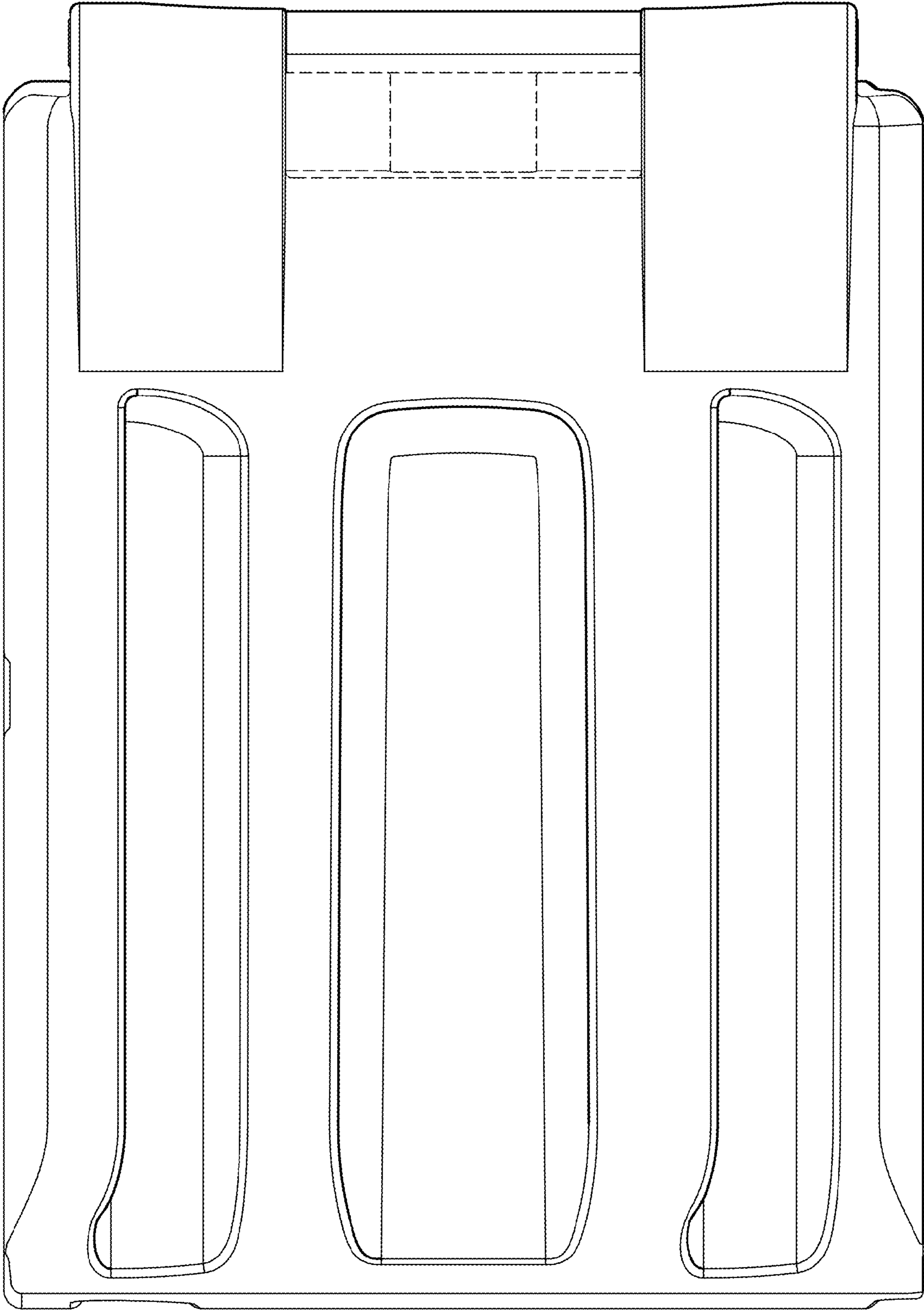


Fig-7