



US00D891873S

(12) **United States Design Patent** (10) **Patent No.:** **US D891,873 S**
Burns et al. (45) **Date of Patent:** **** Aug. 4, 2020**

(54) **ICE BUCKET**

- (71) Applicant: **Can't Live Without It, LLC**, New York, NY (US)
- (72) Inventors: **Clay Allen Burns**, New York, NY (US); **Mario Quintana Serrahima**, Brooklyn, NY (US)
- (73) Assignee: **CAN'T LIVE WITHOUT IT, LLC**, New York, NY (US)
- (**) Term: **15 Years**

- (21) Appl. No.: **29/673,809**
- (22) Filed: **Dec. 18, 2018**
- (51) **LOC (12) Cl.** **07-01**
- (52) **U.S. Cl.**
USPC **D7/603**
- (58) **Field of Classification Search**
USPC D7/603-608, 584, 586, 587, 538-542
CPC A47G 19/027; A45C 11/20; F25D 3/08;
F25D 3/14; F25D 2331/804; F25D 31/00;
F25D 31/002; F25D 31/006; F25D
31/007; F25D 31/008; B65D 81/38; B28B
1/002
See application file for complete search history.

(56) **References Cited**

U.S. PATENT DOCUMENTS

2,839,209	A *	6/1958	Lester	B28B 1/002 215/13.1
D488,355	S *	4/2004	Irvine	D7/603
D530,157	S *	10/2006	Bodum	D7/603
D566,478	S *	4/2008	Trombly	D7/602
D617,204	S *	6/2010	Lauret	D9/520
D806,568	S *	1/2018	Chen	D9/719
D808,220	S *	1/2018	Burns	D7/510
2009/0126394	A1 *	5/2009	Krog	F25D 3/08 62/399

OTHER PUBLICATIONS

- CN201930224091.0, "Notice of Decision to Grant," dated Jul. 4, 2019, 4 pages.
- EU006574307-0001, "Notice of Allowance," dated Jun. 11, 2019, 7 pages.
- EU006574307-0002, "Notice of Allowance," dated Jun. 11, 2019, 2 pages.

* cited by examiner

Primary Examiner — Terry A Wallace

(74) *Attorney, Agent, or Firm* — Kilpatrick Townsend & Stockton LLP

(57) **CLAIM**

The ornamental design for an ice bucket, as shown and described.

DESCRIPTION

FIG. 1 is a top perspective view of an ice bucket showing our new design.

FIG. 2 is a bottom perspective view thereof.

FIG. 3 is a front elevation view thereof.

FIG. 4 is a right side elevation view thereof.

FIG. 5 is a rear elevation view thereof.

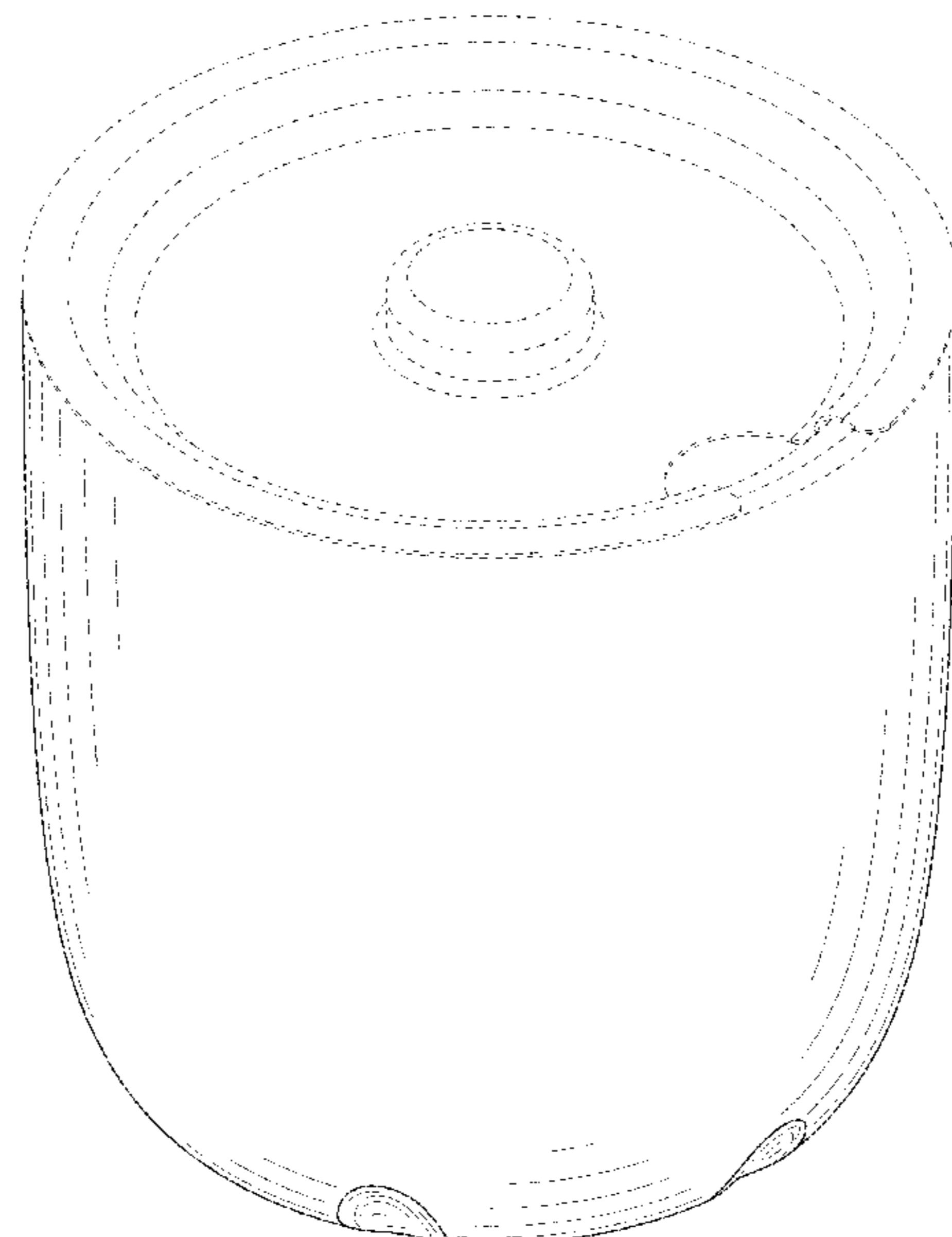
FIG. 6 is left side elevation view thereof.

FIG. 7 is a top plan view thereof; and,

FIG. 8 is a bottom plan view thereof.

The claimed design is directed solely to the shape and configuration of the ice bucket shown in the figures. Portions or features of the ice bucket not shown in the drawings form no part of the claimed design. The evenly dotted broken lines in the drawings illustrate unclaimed features of the ice bucket and form no part of the claimed design. The dash-dot-dot broken lines in the drawings represent borders of unclaimed portions of the design and form no part of the claimed design.

1 Claim, 8 Drawing Sheets



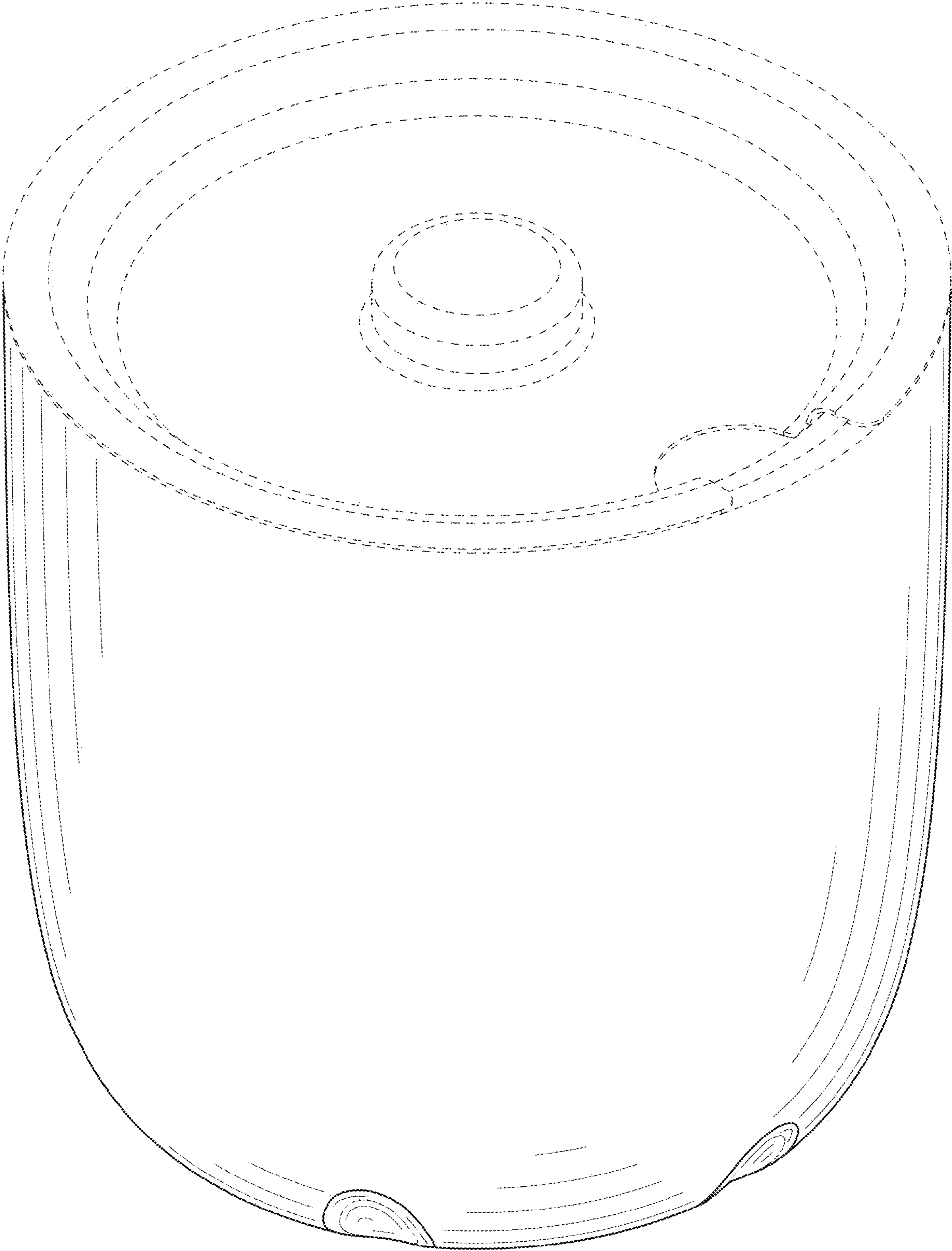


FIG. 1

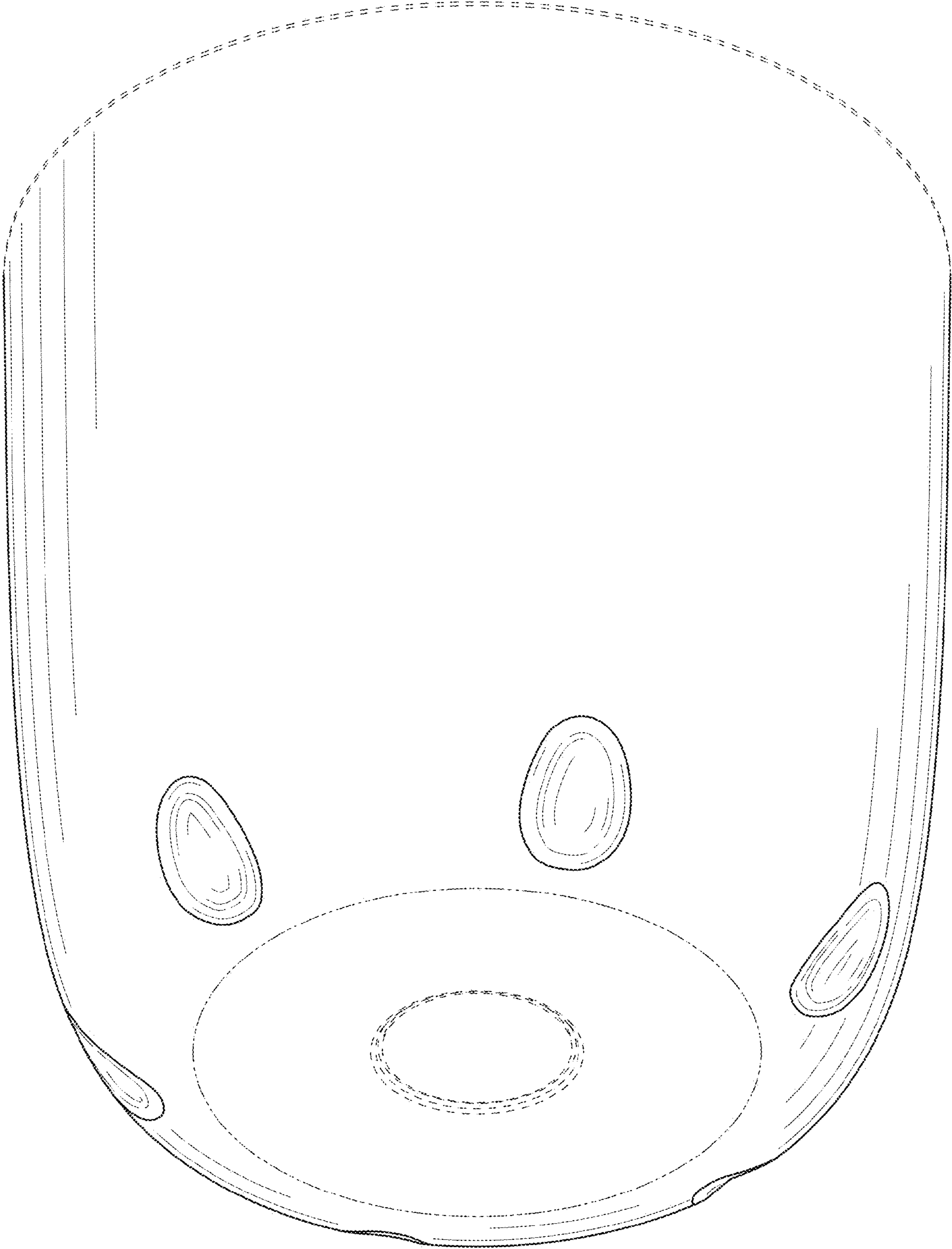


FIG. 2

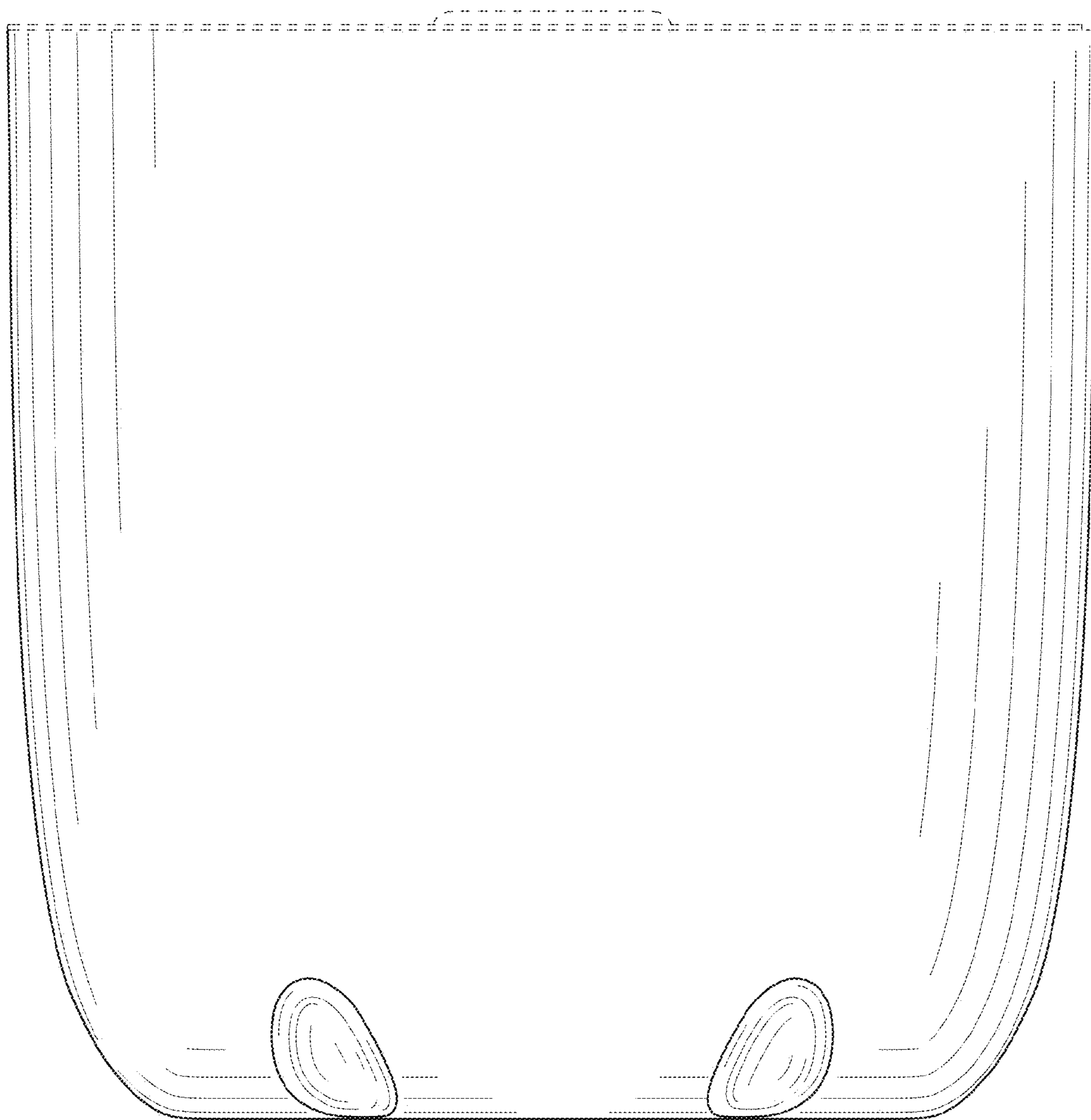


FIG. 3

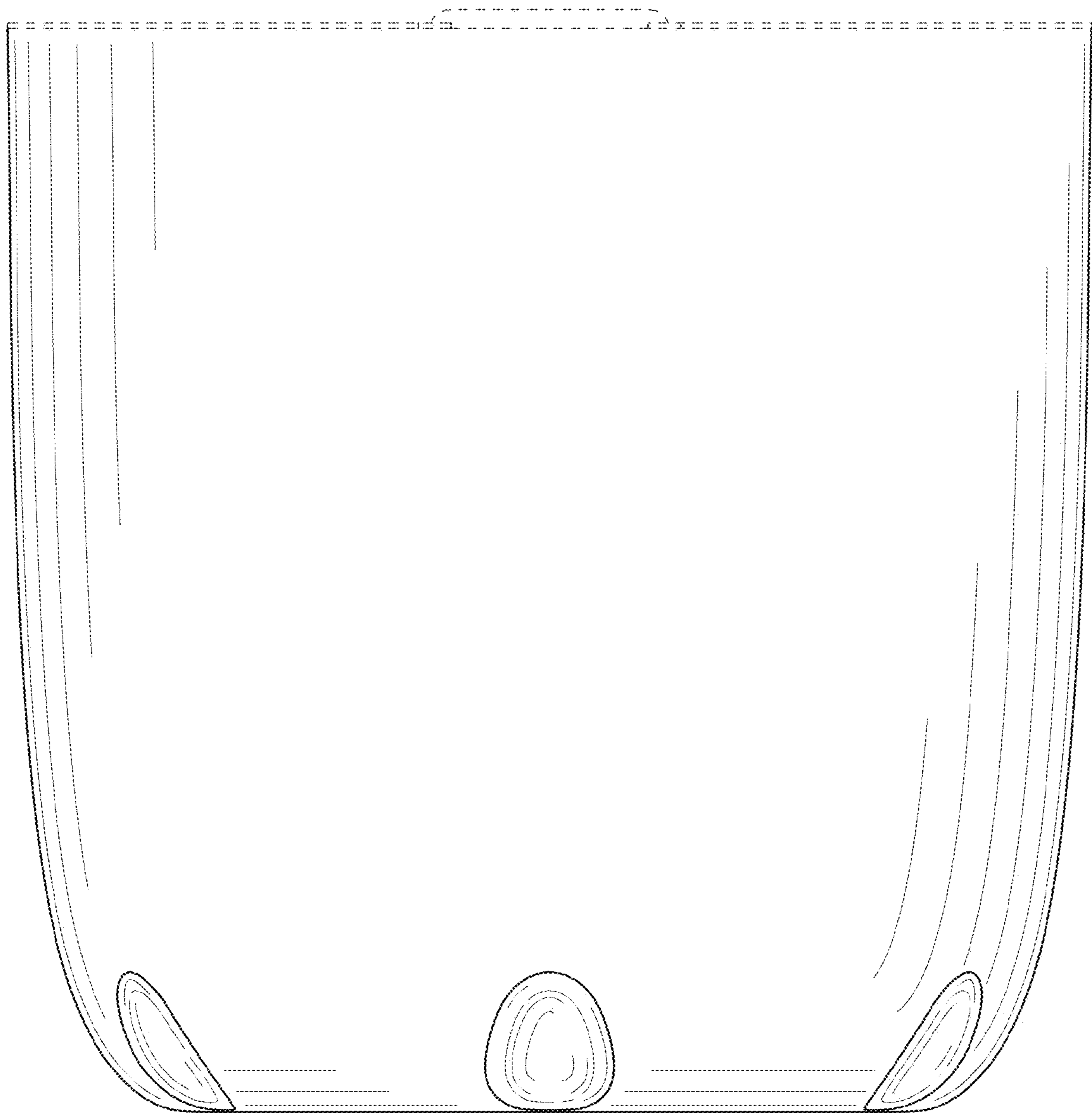


FIG. 4

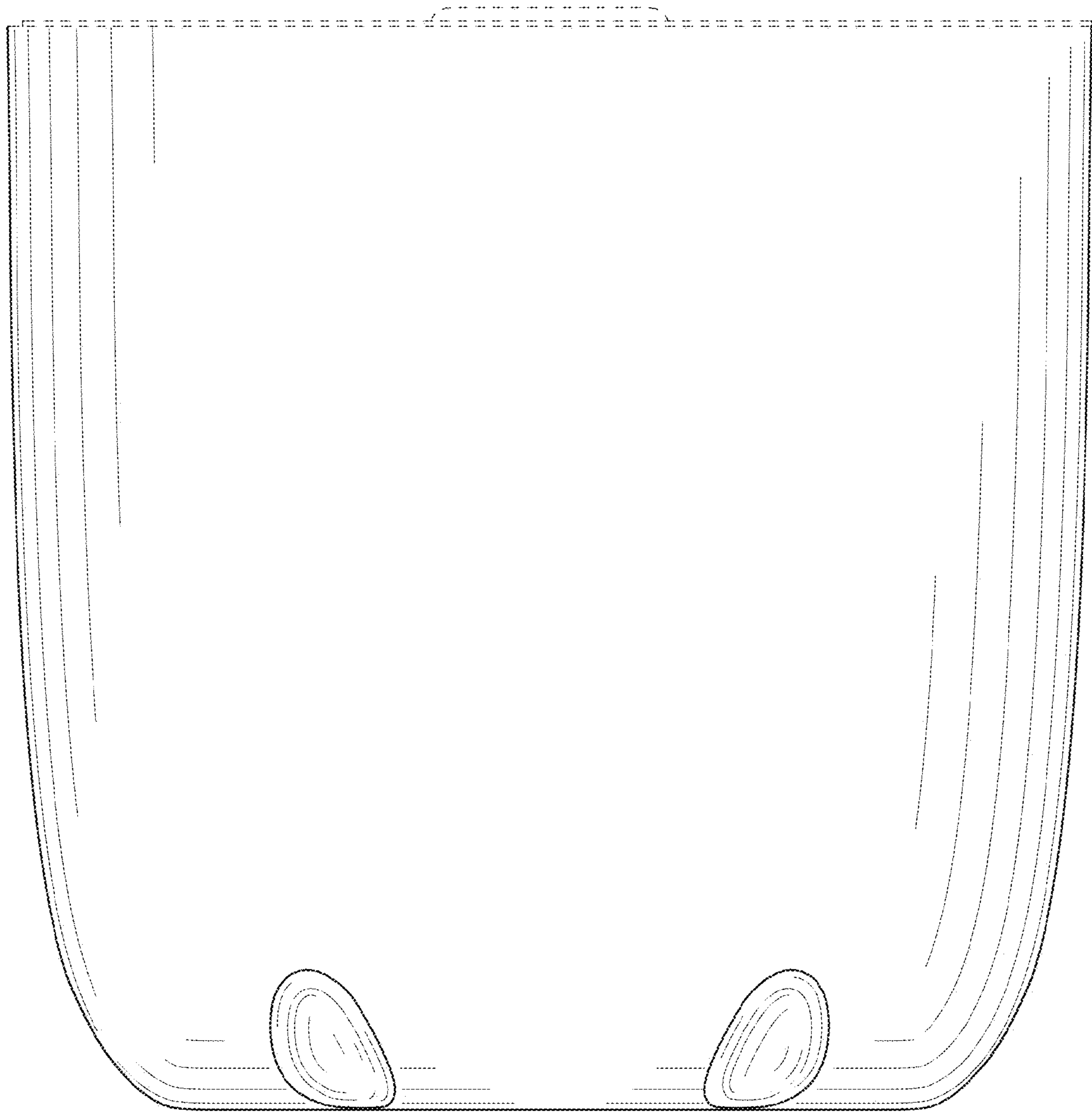


FIG. 5

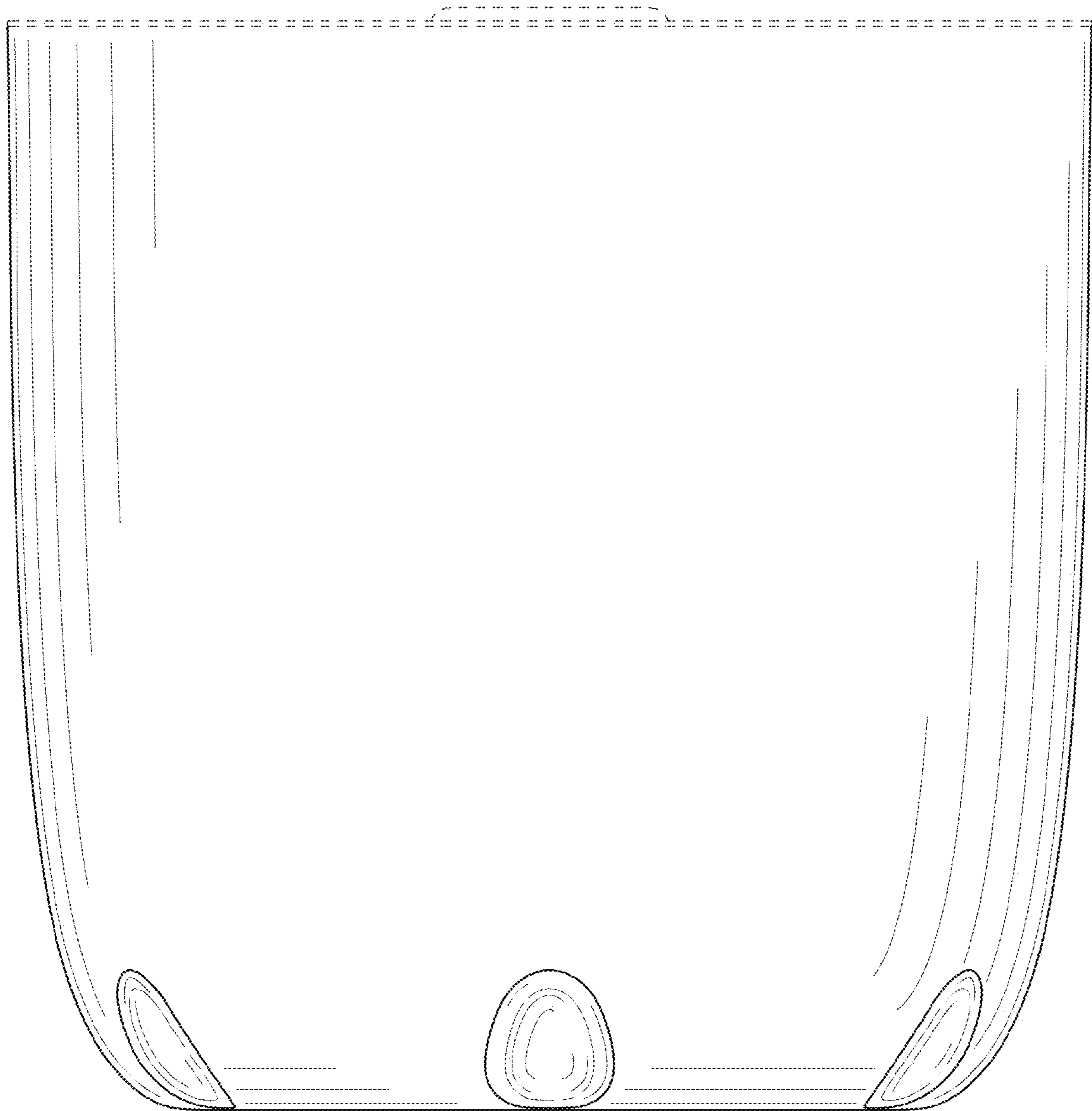


FIG. 6

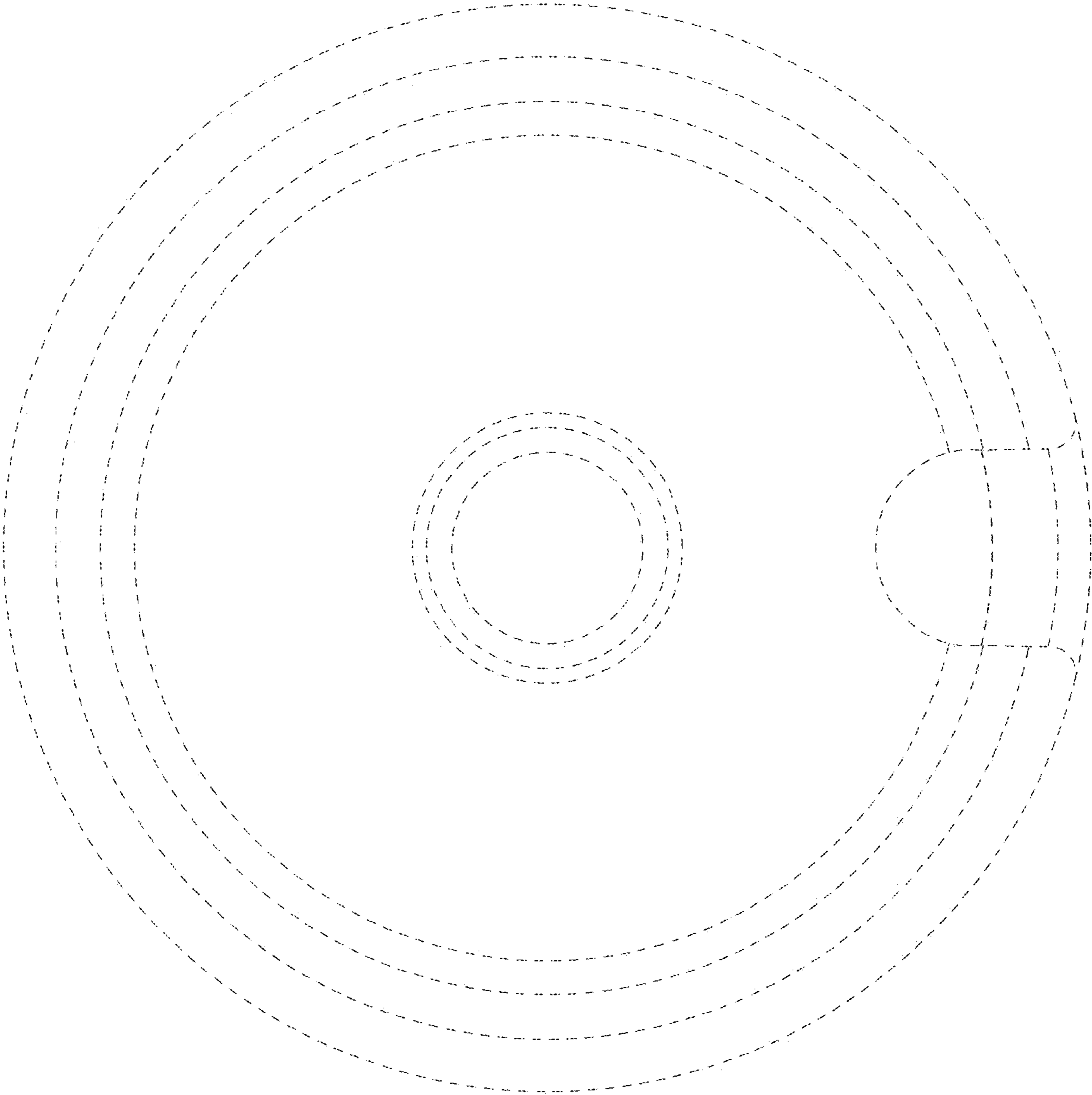


FIG. 7

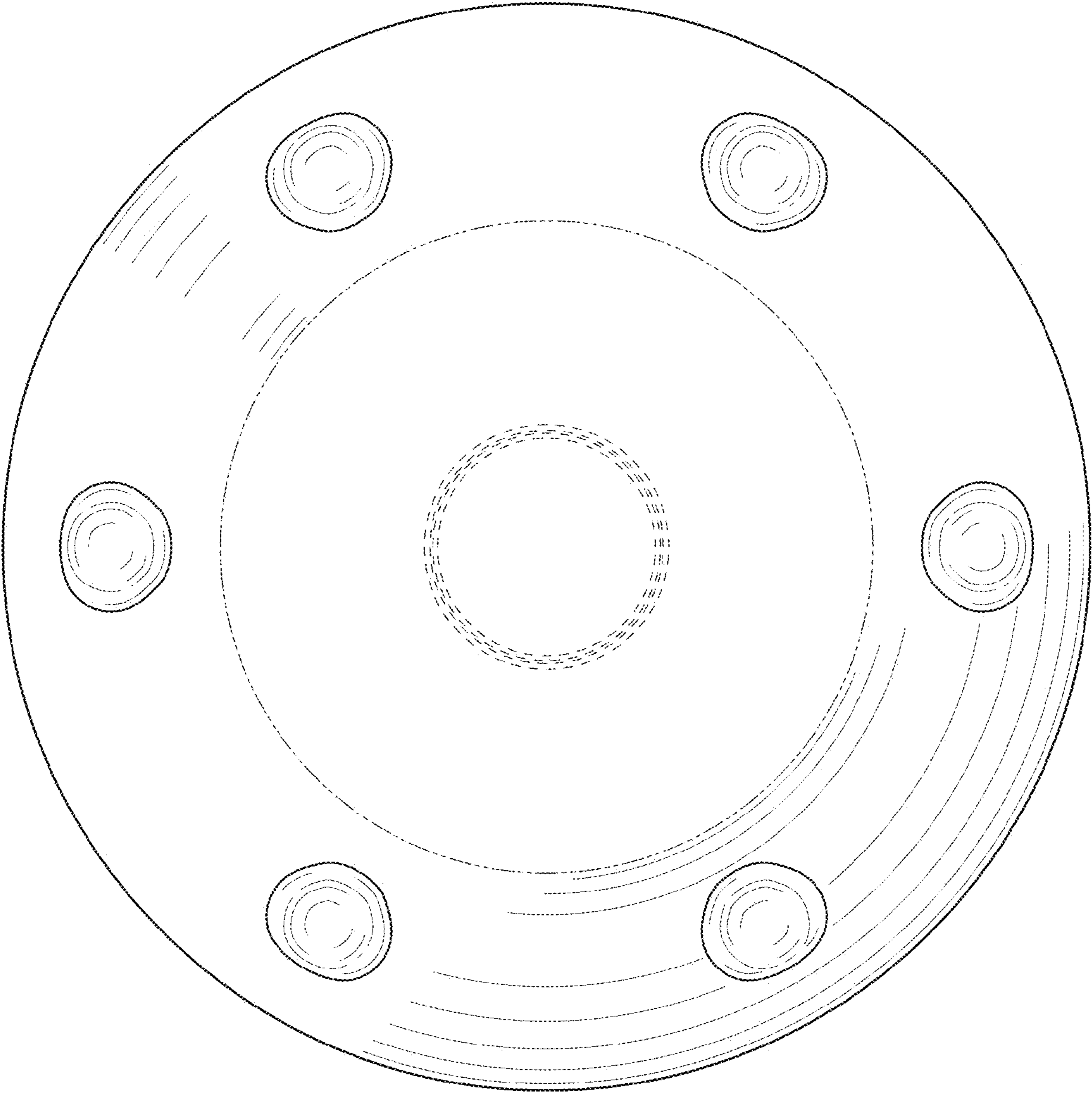


FIG. 8