

US00D891871S

(12) **United States Design Patent**  
**Petzold**

(10) **Patent No.:** **US D891,871 S**

(45) **Date of Patent:** **\*\* Aug. 4, 2020**

- (54) **SERVING PLATE**
- (71) Applicant: **Brian Petzold**, Rehoboth, MA (US)
- (72) Inventor: **Brian Petzold**, Rehoboth, MA (US)
- (\*\*) Term: **15 Years**
- (21) Appl. No.: **29/683,009**
- (22) Filed: **Mar. 10, 2019**
- (51) **LOC (12) Cl.** ..... **07-01**
- (52) **U.S. Cl.**  
USPC ..... **D7/556; D7/555**
- (58) **Field of Classification Search**  
USPC ..... D7/556, 555, 500, 571; D21/483, 494;  
220/574  
CPC .... A47B 23/00; A47G 23/0608; A47G 19/06;  
A47G 19/03; A47G 19/02; A47J 36/027;  
E04B 1/34315; A21B 3/13  
See application file for complete search history.

D470,542 S *	2/2003	Manville	.....	D21/490
D505,296 S *	5/2005	Thomas	.....	D7/504
D532,656 S *	11/2006	Littlejohn	.....	D7/553.6
D552,933 S *	10/2007	Sarnoff	.....	D7/500
D596,894 S *	7/2009	Cheng	.....	D7/357
7,820,952 B2 *	10/2010	Gomez	.....	A47J 36/027 219/730
7,891,520 B2 *	2/2011	Milne	.....	A47G 19/02 220/574
8,215,242 B2 *	7/2012	Aguayo	.....	A47B 23/00 108/43
D667,062 S *	9/2012	Hornsby	.....	D21/493
D676,340 S *	2/2013	Reefer	.....	D10/46.3
8,720,734 B2 *	5/2014	Malcolm	.....	A47G 19/02 220/23.8

(Continued)

*Primary Examiner* — Cynthia R Underwood

(57) **CLAIM**

The ornamental design for a “serving plate”, as shown and described.

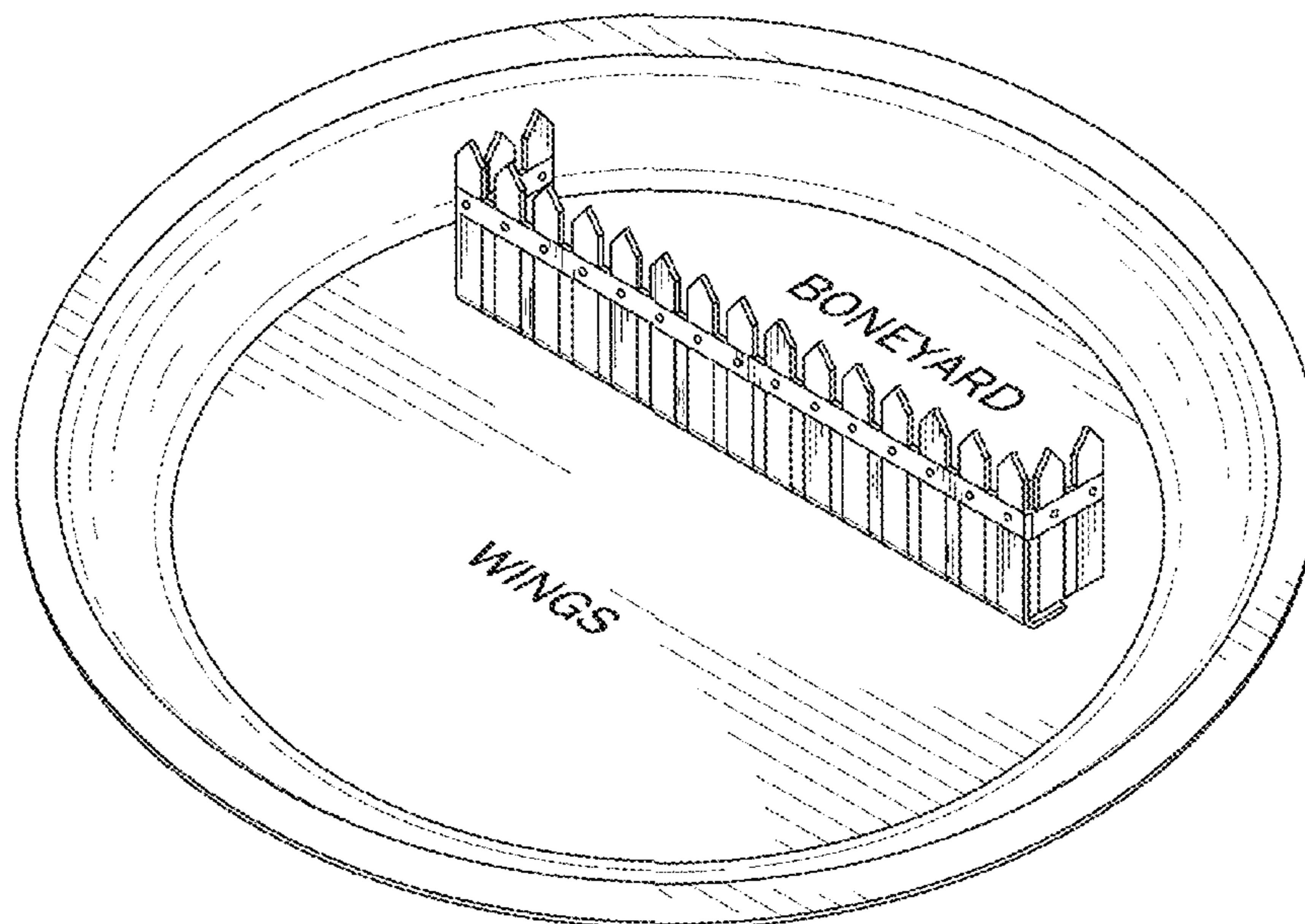
**DESCRIPTION**

FIG. 1 is a top perspective view of the serving plate employing my new design;  
 FIG. 2 is a top view of FIG. 1;  
 FIG. 3 is a bottom view of FIG. 1;  
 FIG. 4 is a front end view of FIG. 1;  
 FIG. 5 is a rear end view of FIG. 1;  
 FIG. 6 is a right end view of FIG. 1;  
 FIG. 7 is a left end view of FIG. 1;  
 FIG. 8 is a cross-sectional view of FIG. 4 taken along line 8-8;  
 FIG. 9 is a cross-sectional view of FIG. 6 taken along line 9-9;  
 FIG. 10 is a top view of the serving plate of FIG. 1 in a partially collapsed position; and,  
 FIG. 11 is a top view of the serving plate of FIG. 1 in a fully collapsed position.

**1 Claim, 8 Drawing Sheets**

(56) **References Cited**  
 U.S. PATENT DOCUMENTS

D43,656 S *	2/1913	Van de Verg	.....	D7/555
1,945,013 A *	1/1934	Wilson	.....	A47G 19/02 220/574
2,117,102 A *	5/1938	Lila Pittler	.....	A47G 19/06 229/800
D131,150 S *	1/1942	Swofford	.....	D7/584
2,647,678 A *	8/1953	Olson	.....	A47G 23/0608 229/402
3,744,195 A *	7/1973	Ferkich	.....	E04B 1/34315 52/63
D269,933 S *	8/1983	Daenen	.....	D7/387
5,074,777 A *	12/1991	Garner	.....	A21B 3/13 220/531
D342,552 S *	12/1993	Pagel	.....	D21/483
D384,861 S *	10/1997	Richard	.....	D7/357
D385,463 S *	10/1997	Cousins	.....	D7/553.6
D428,809 S *	8/2000	Adair	.....	D7/504



(56)

**References Cited**

U.S. PATENT DOCUMENTS

8,777,010 B2 \* 7/2014 Wnek ..... A47G 19/03  
206/503  
D786,365 S \* 5/2017 Bailey, Sr. .... D21/494  
D787,890 S \* 5/2017 Ng ..... D7/587

\* cited by examiner

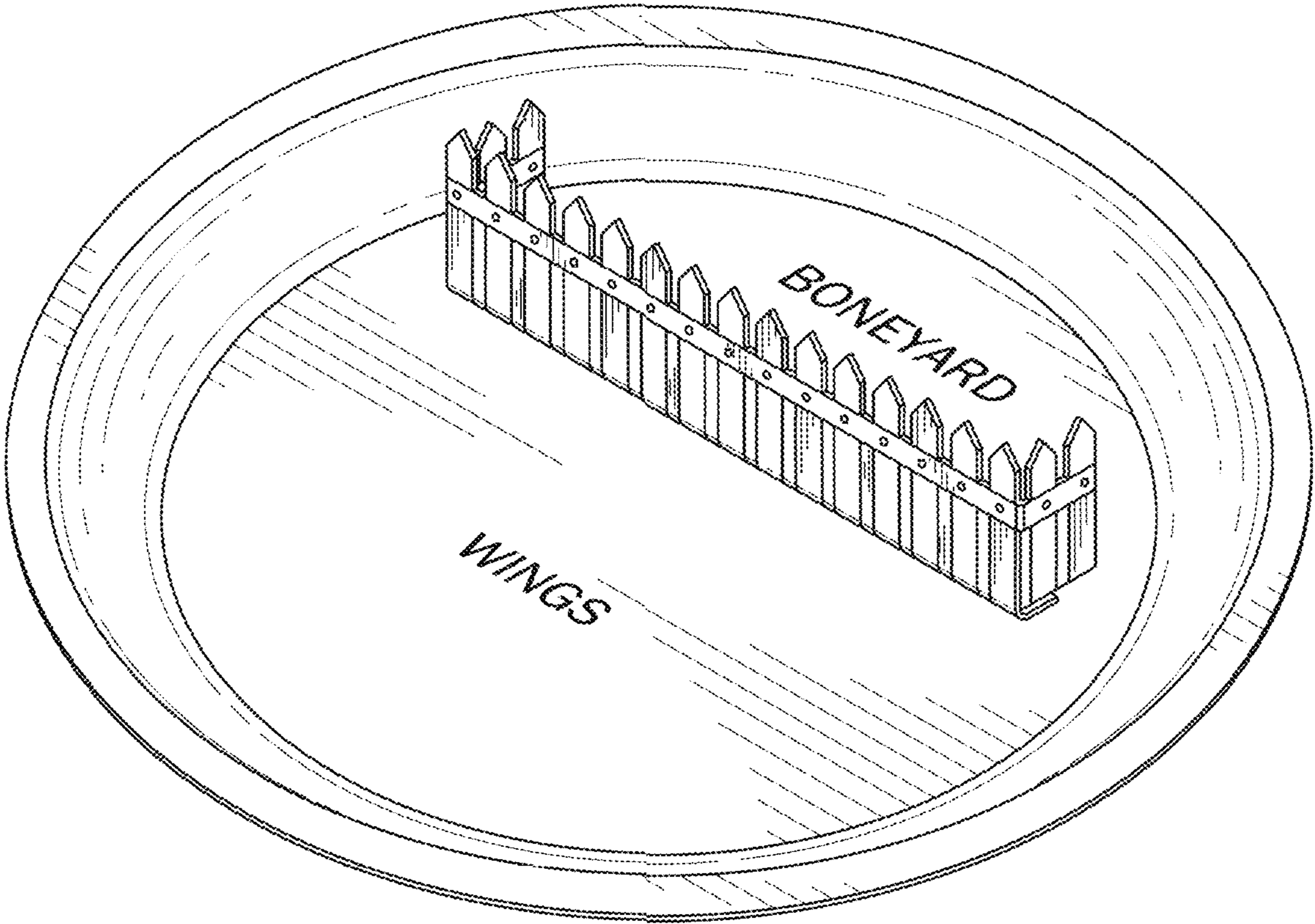


FIG. 1

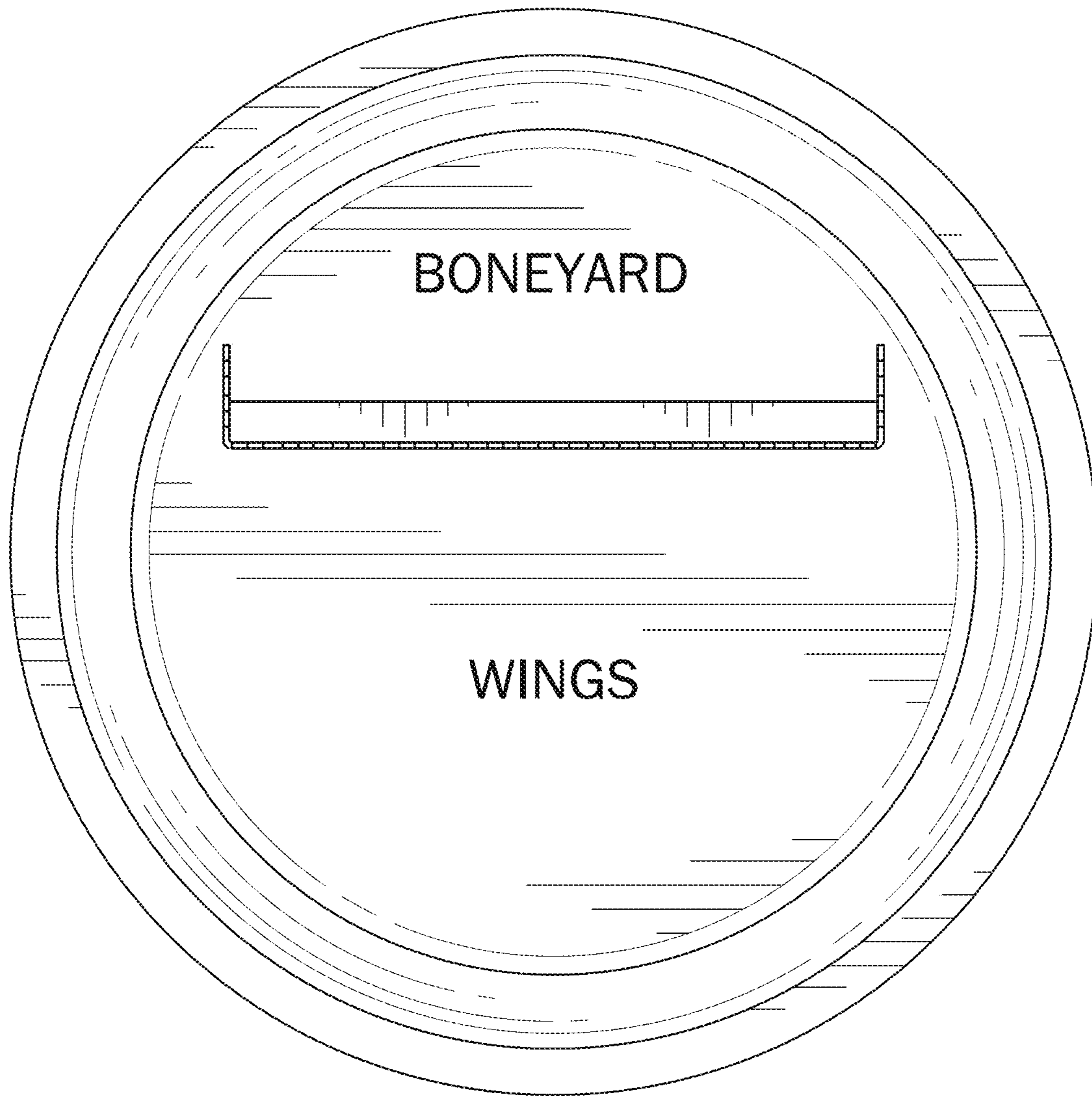


FIG. 2

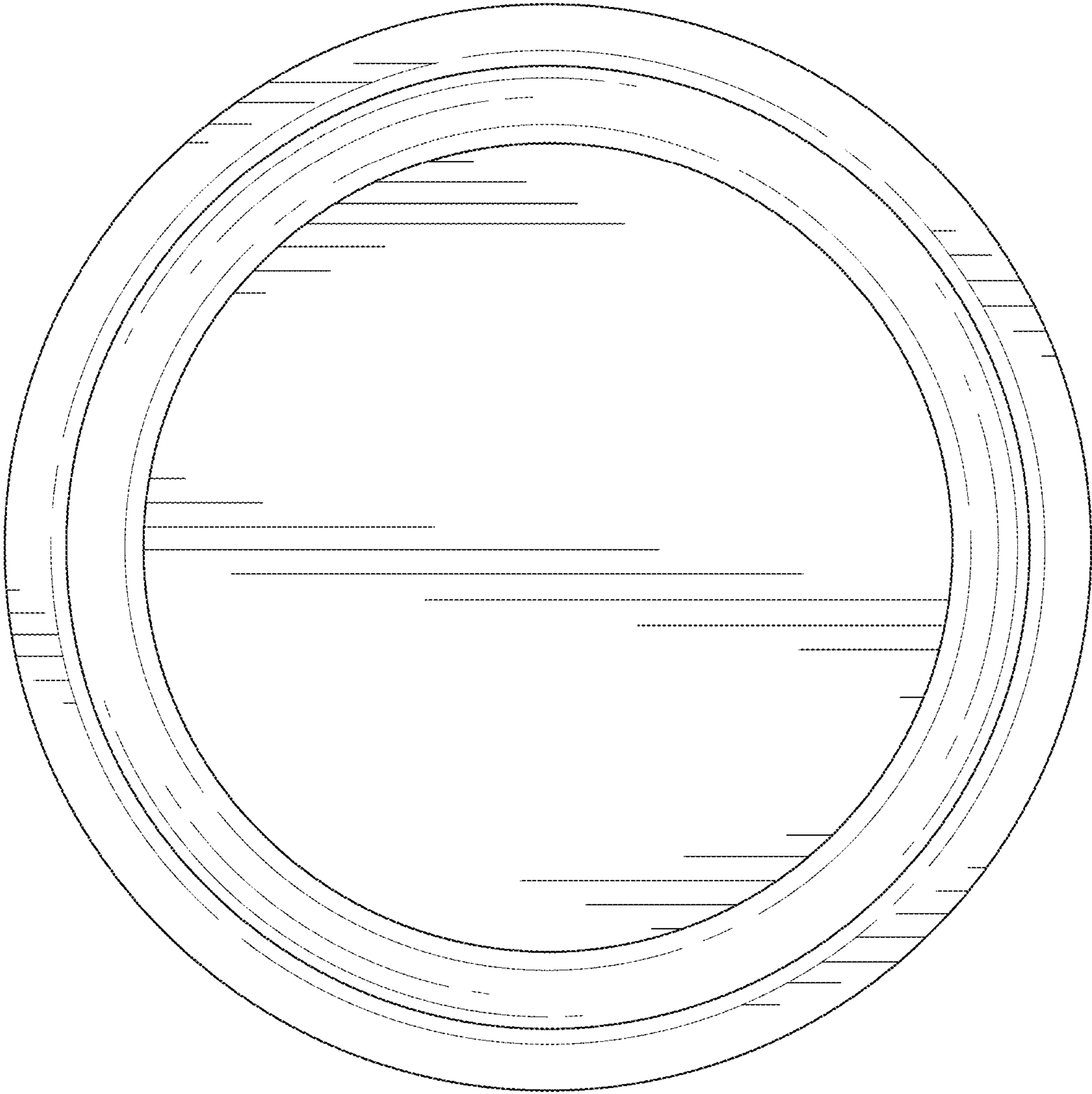


FIG. 3

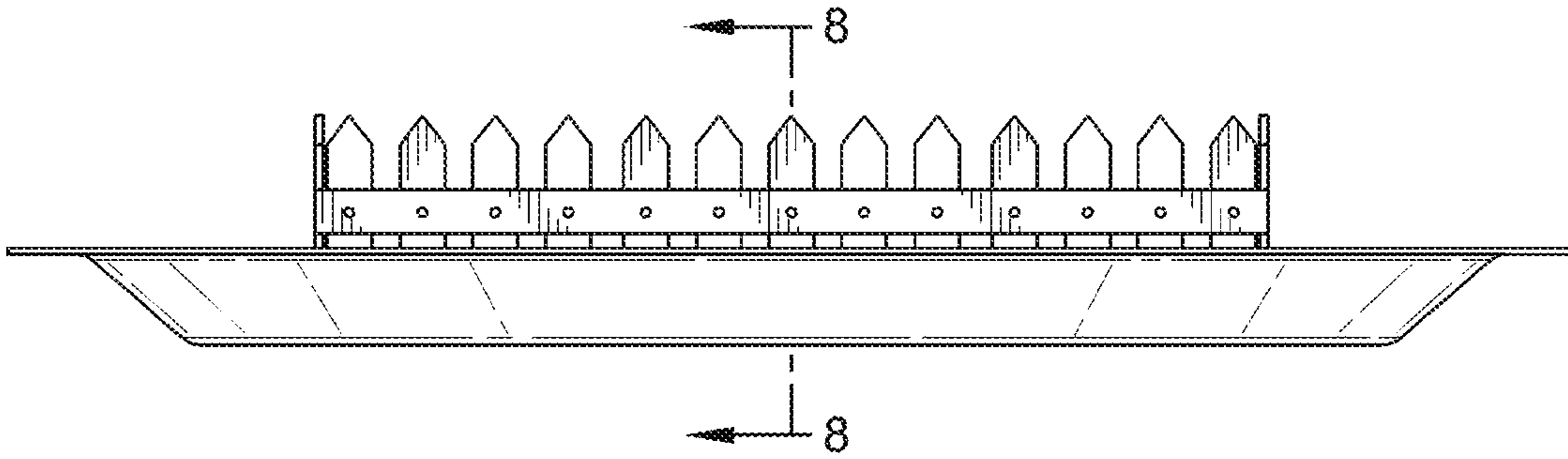


FIG. 4

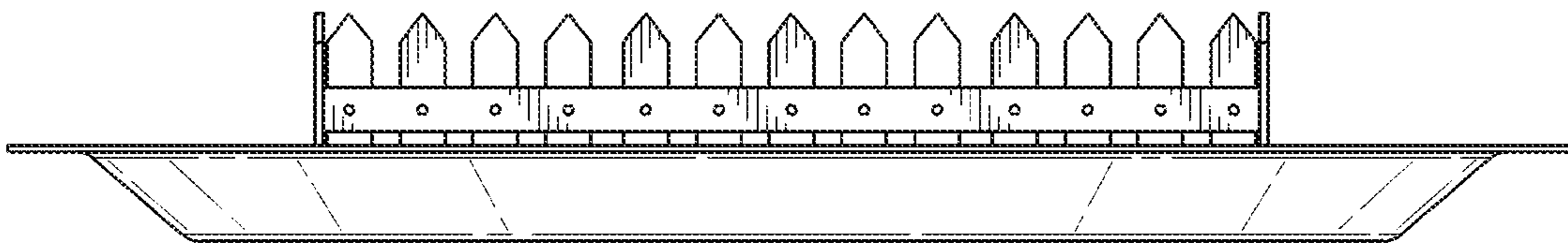


FIG. 5

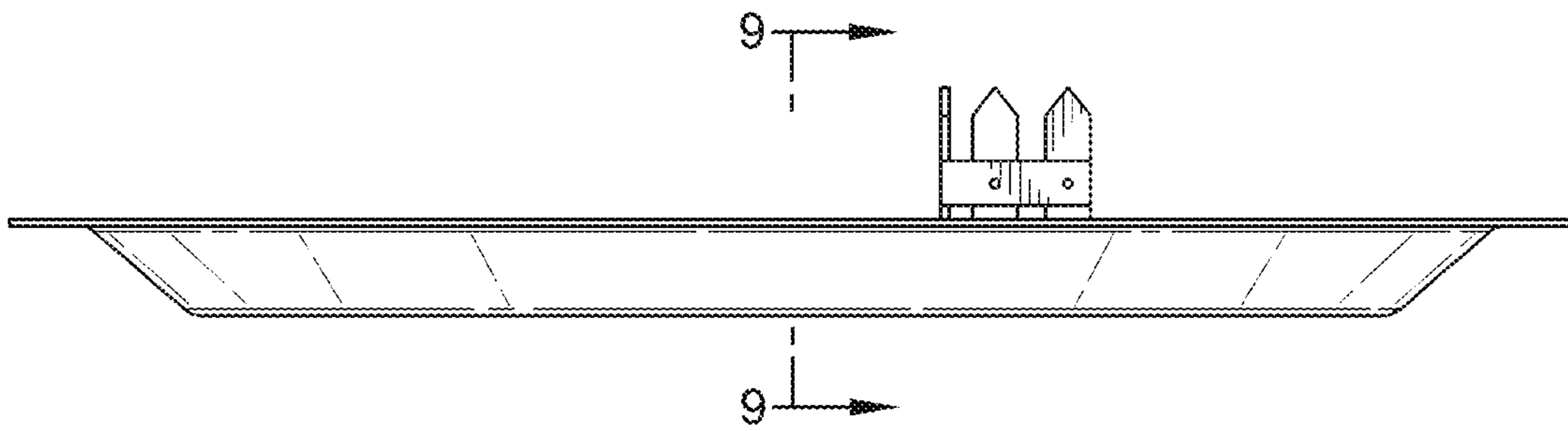


FIG. 6



FIG. 7



FIG. 8

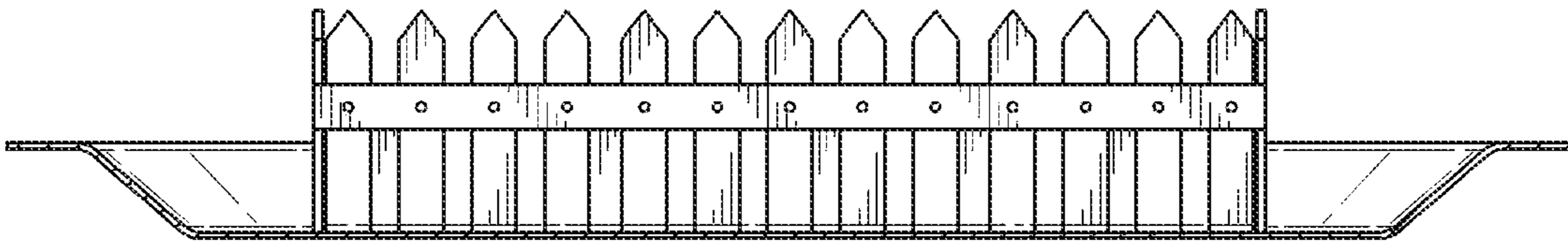


FIG. 9



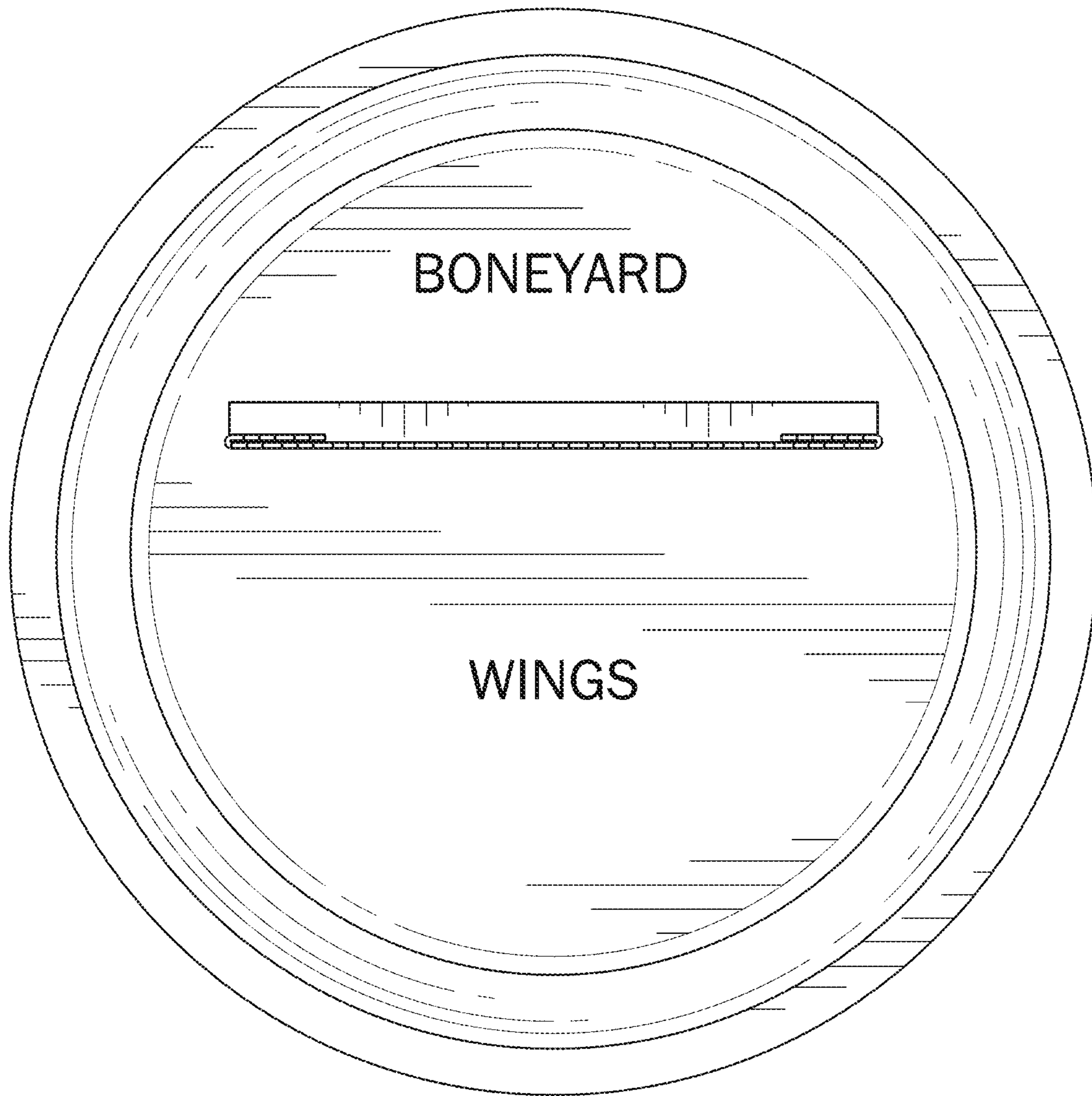


FIG. 10

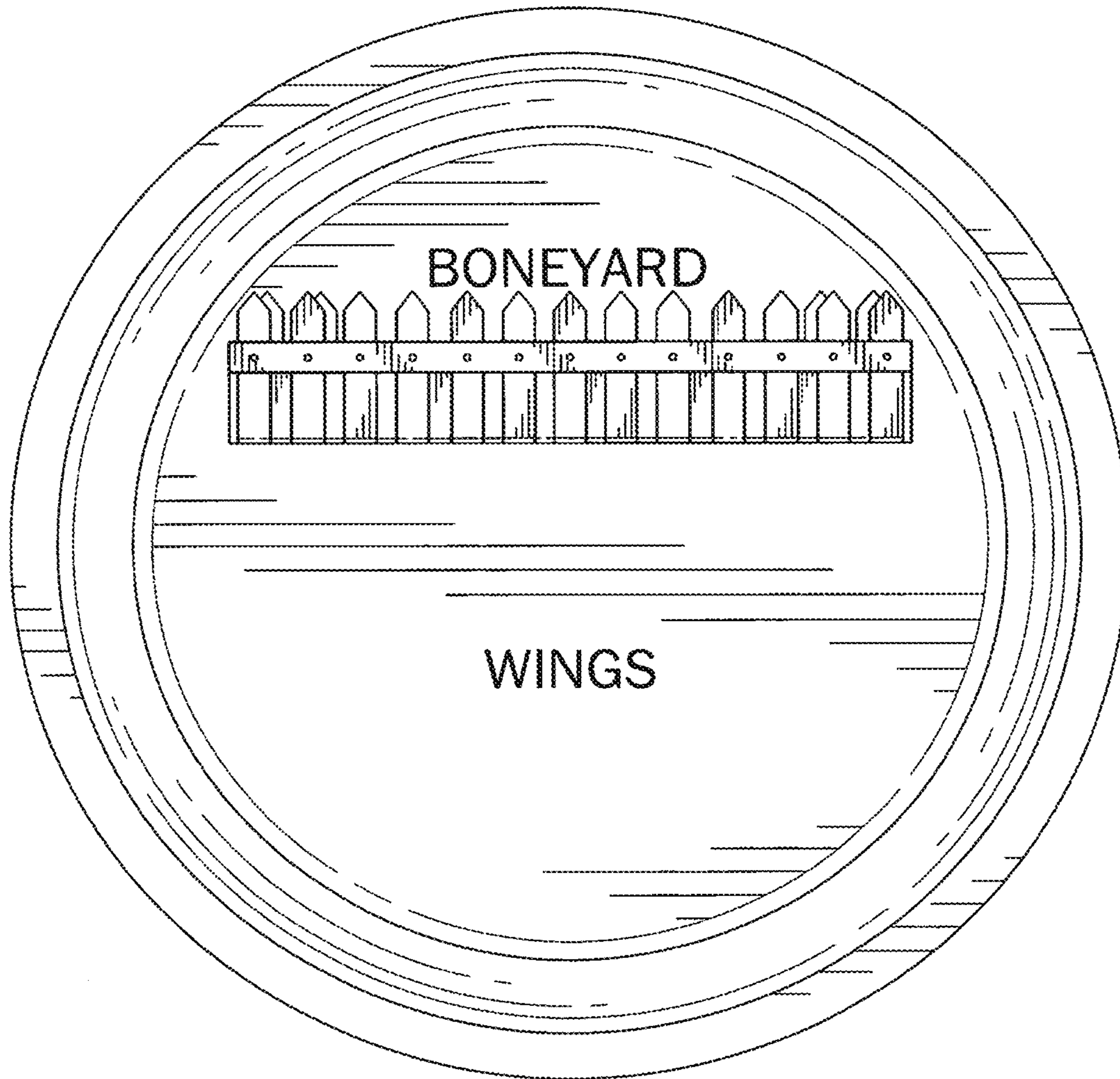


FIG. 11