

US00D891868S

(12) **United States Design Patent** (10) **Patent No.:** **US D891,868 S**
Karl, IV et al. (45) **Date of Patent:** **** Aug. 4, 2020**

(54) **BOTTLE**

(56) **References Cited**

(71) Applicant: **Shock Doctor, Inc.**, Fountain Valley, CA (US)
(72) Inventors: **Adam Peter Karl, IV**, Burlington, VT (US); **Benjamin Casey Lanza**, Sheldon, VT (US); **James Creath Frazier**, Hinesburg, VT (US); **Bradley Philip Fishkin**, Burlington, VT (US)

U.S. PATENT DOCUMENTS

D244,339 S *	5/1977	Wendt	D7/317
D293,643 S *	1/1988	Bormioli	D7/318
D411,460 S *	6/1999	Nobuto	D9/560
D458,082 S *	6/2002	Gluck	D7/510
D501,362 S *	2/2005	Gauss	D7/509
D512,874 S *	12/2005	Poulson	D7/510
D529,338 S *	10/2006	Poulson	D7/510

(Continued)

(73) Assignee: **Shock Doctor, Inc.**, Fountain Valley, CA (US)

OTHER PUBLICATIONS

<https://www.amazon.ca/Waterbox-Square-Stainless-Steel-Bottle/dp/B002Z7I1H0> (Year: 2011).*

(Continued)

(**) Term: **15 Years**

Primary Examiner — Jae Liang

(21) Appl. No.: **29/634,077**

(74) *Attorney, Agent, or Firm* — Faegre Drinker Biddle & Reath LLP

(22) Filed: **Jan. 18, 2018**

(57) **CLAIM**

The ornamental design for a bottle, as shown and described.

Related U.S. Application Data

DESCRIPTION

(62) Division of application No. 29/575,355, filed on Aug. 24, 2016, now Pat. No. Des. 816,397.

(51) **LOC (12) Cl.** **07-01**

(52) **U.S. Cl.**
USPC **D7/523**; D7/529; D7/532; D9/560

(58) **Field of Classification Search**
USPC D7/507, 509, 510, 511, 523, 529, 530, D7/531, 532, 533, 534, 535, 536, 608, D7/392.1, 396.2, 396.4, 387, 394, 515; D9/434, 450, 453, 436, 562, 566, 553, D9/560, 425, 427, 428, 443, 439; D34/1; D19/85

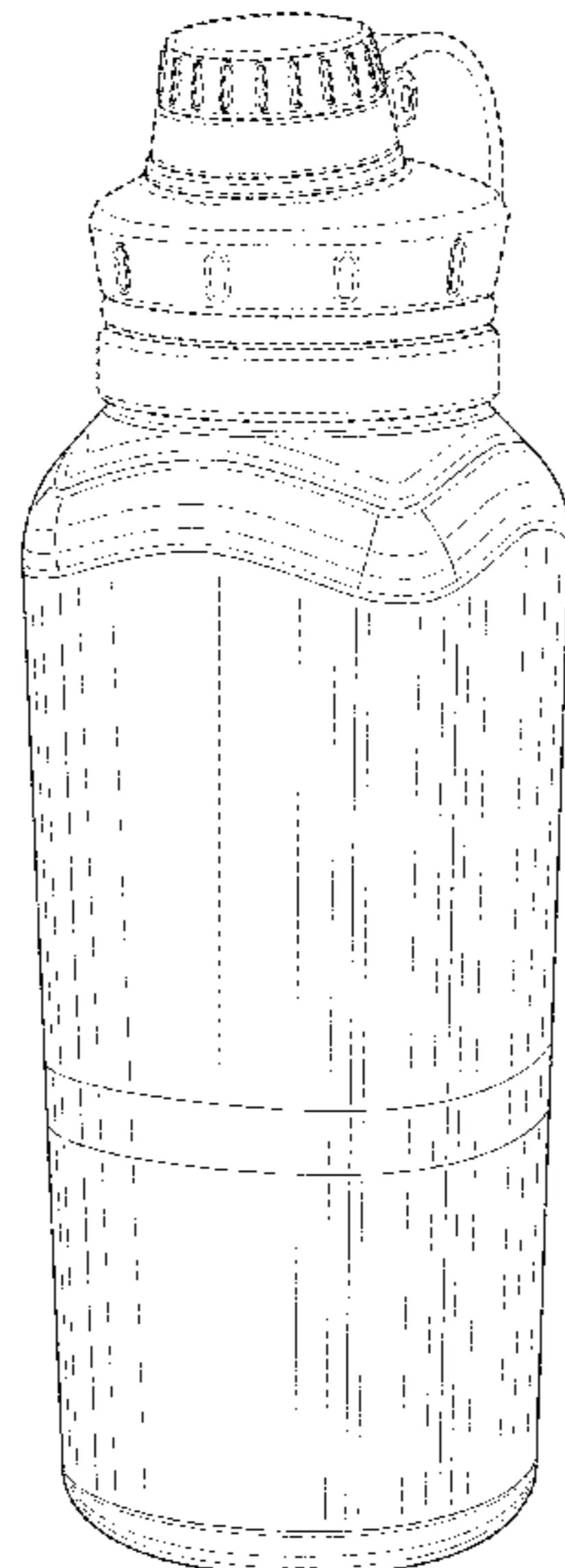
CPC A47G 19/22; A47G 19/2205; A47G 19/2227; A47G 19/2266; A47F 3/16; B65D 47/066

See application file for complete search history.

FIG. 1 is a front perspective view of a bottle showing our new design;
FIG. 2 is a front view thereof;
FIG. 3 is a rear view thereof;
FIG. 4 is a left side view thereof;
FIG. 5 is a right side view thereof;
FIG. 6 is a top view thereof;
FIG. 7 is a cross-sectional view thereof taken along line 7-7 of FIG. 2;
FIG. 8 is a cross-sectional view thereof taken along line 8-8 of FIG. 2; and,
FIG. 9 is a bottom view thereof.

The broken lines in the drawings depict environmental subject matter only and form no part of the claimed design. The hatched lines in the drawings depict environmental subject matter only and form no part of the claimed design.

1 Claim, 8 Drawing Sheets



(56)

References Cited

U.S. PATENT DOCUMENTS

D537,676	S	*	3/2007	Kingsley	D7/510
D565,421	S	*	4/2008	De Baschmakoff	D9/452
D587,586	S	*	3/2009	Patzak	D9/446
D596,458	S	*	7/2009	McKinney	D7/510
D605,942	S	*	12/2009	Miksovsky	D9/446
D609,969	S	*	2/2010	McKinney	D7/510
D660,082	S	*	5/2012	Wahl	D7/510
D732,338	S	*	6/2015	Boroski	D7/507
D742,751	S	*	11/2015	Letamendi	D9/544
D748,485	S	*	2/2016	Marret	D9/529
D756,795	S	*	5/2016	Maillet	D9/544
D758,189	S	*	6/2016	Roth	D7/392.1
D760,543	S	*	7/2016	Lue	D7/507
D764,232	S	*	8/2016	Marina	D7/513
D767,390	S	*	9/2016	Miksovsky	D7/392.1
D801,180	S	*	10/2017	Jacobsson	D9/517
D807,190	S	*	1/2018	Kuzma	D9/560
D816,397	S	*	5/2018	Karl, IV	D7/392.1
D844,444	S	*	4/2019	Otani	D9/558
D863,972	S	*	10/2019	Staab	D9/560
2008/0179274	A1	*	7/2008	Cheng	A45F 3/16 215/329
2009/0236341	A1	*	9/2009	McKinney	A47G 19/2266 220/375
2018/0028003	A1	*	2/2018	Nash	A47G 19/2205

OTHER PUBLICATIONS

Waterbox Eastman Tritan Water Bottle Review; Jared Hargrave; Nov. 8, 2010; <http://www.utahoutside.com/2010/11/waterbox-eastman-triton-water-bottle-review/>; 13 pages.

* cited by examiner

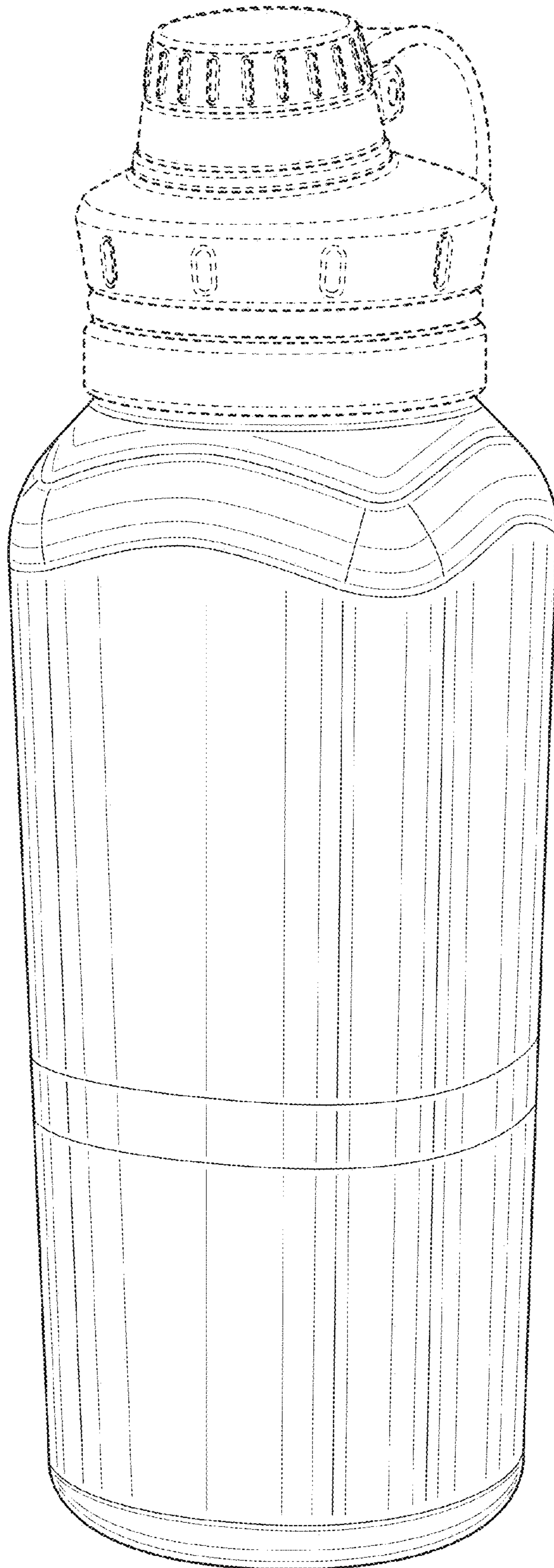


FIG. 1

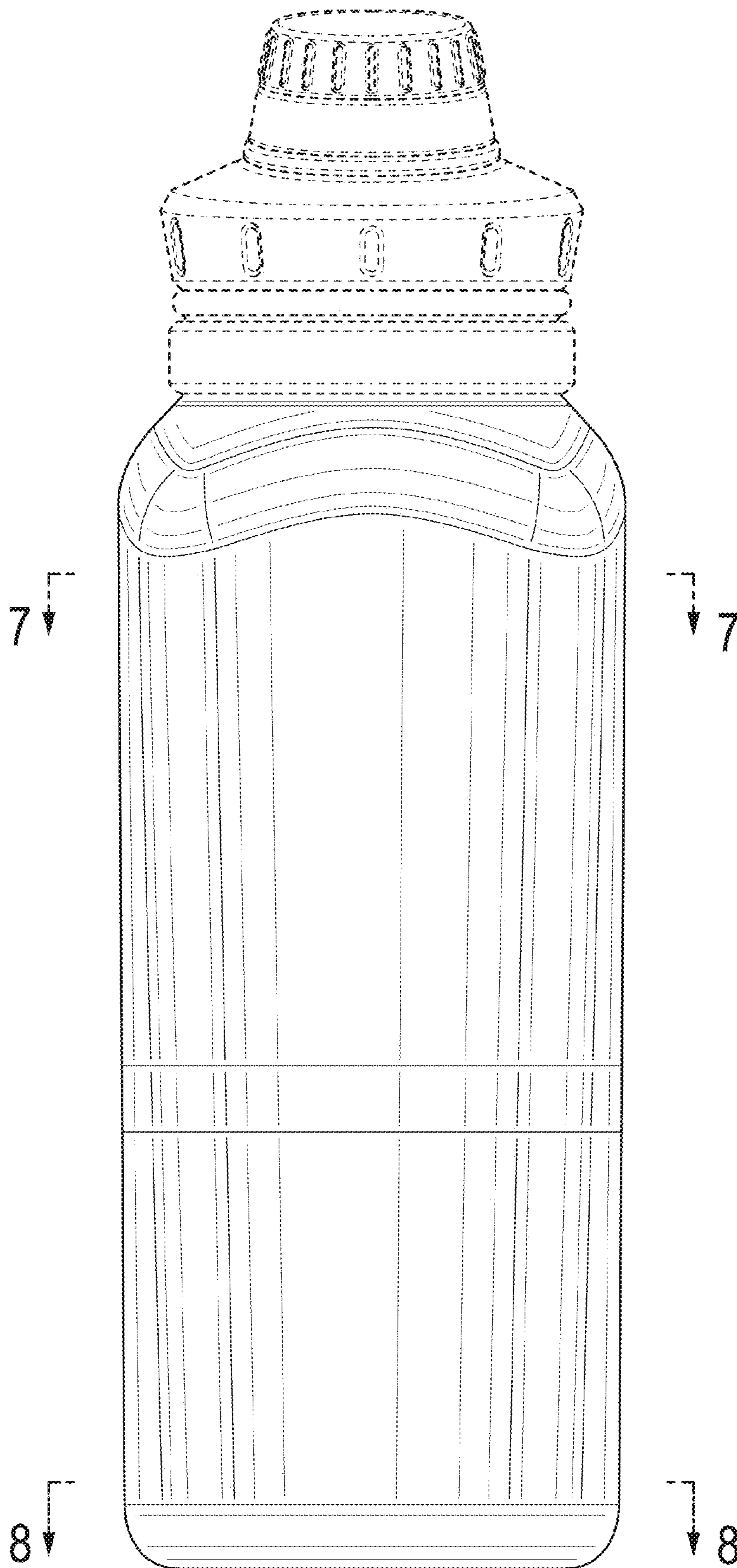


FIG. 2

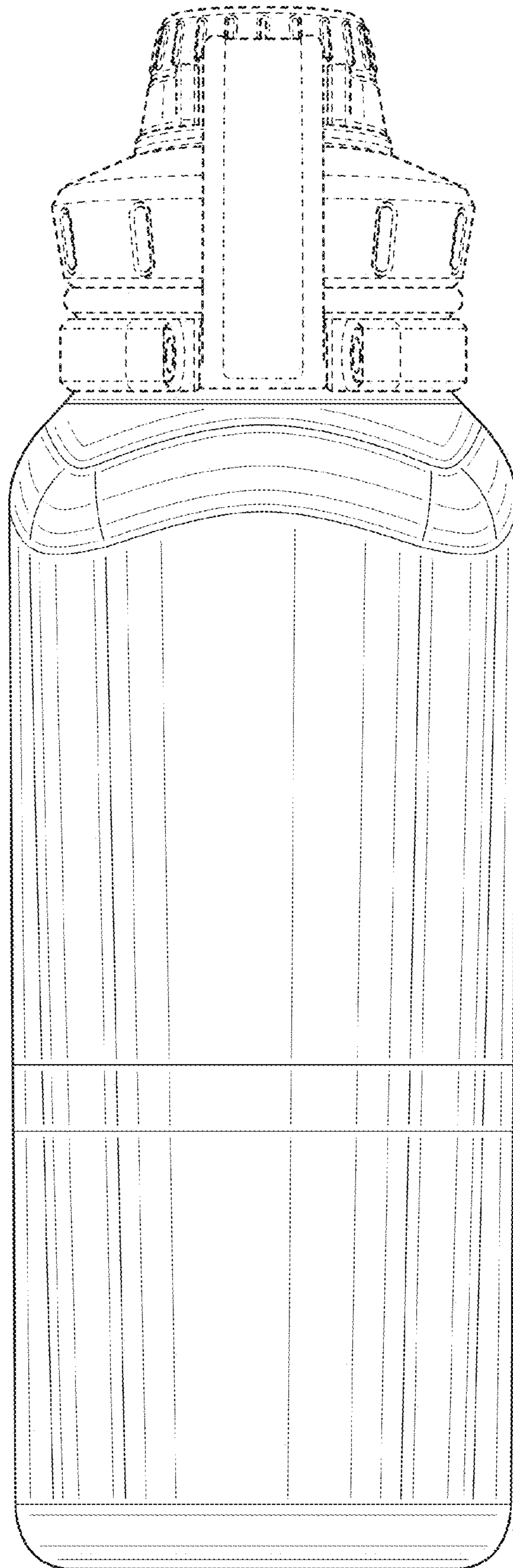


FIG. 3

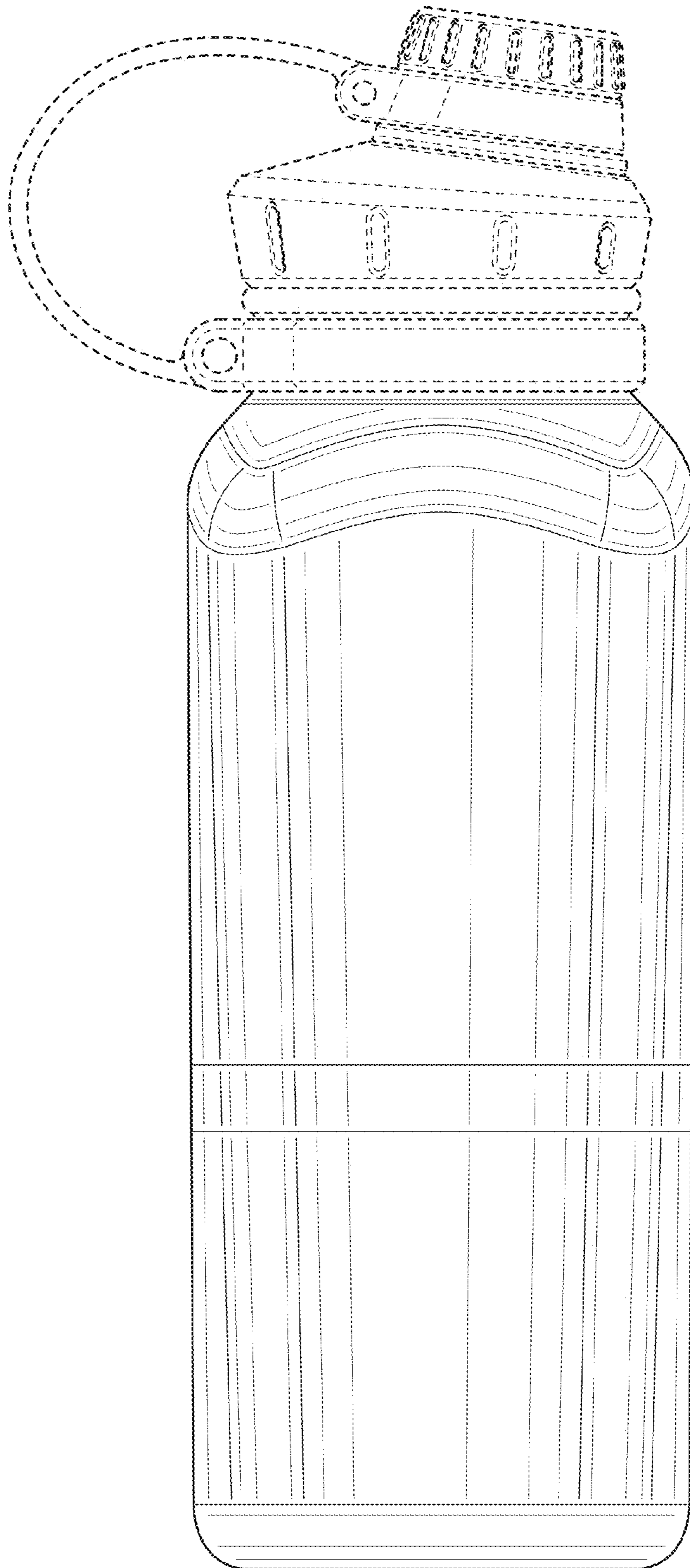


FIG. 4

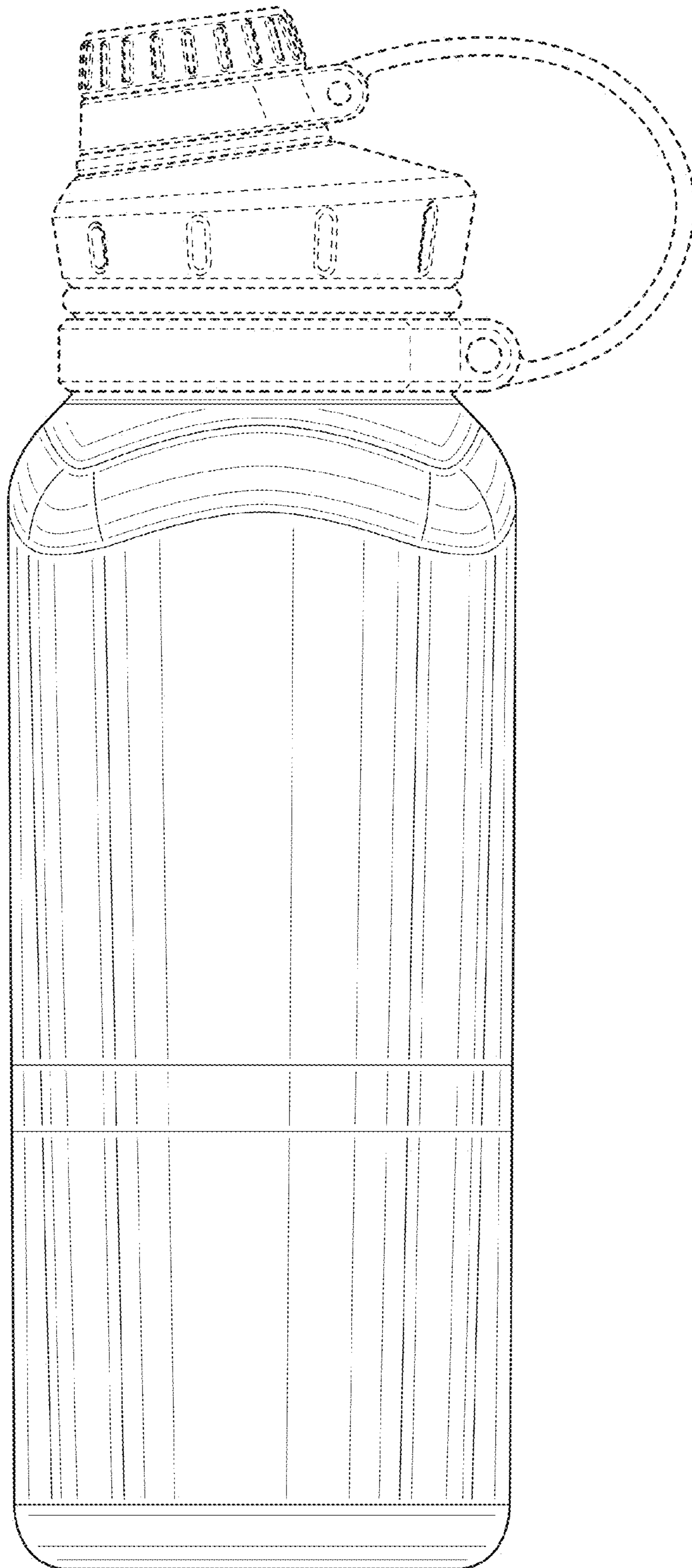


FIG. 5

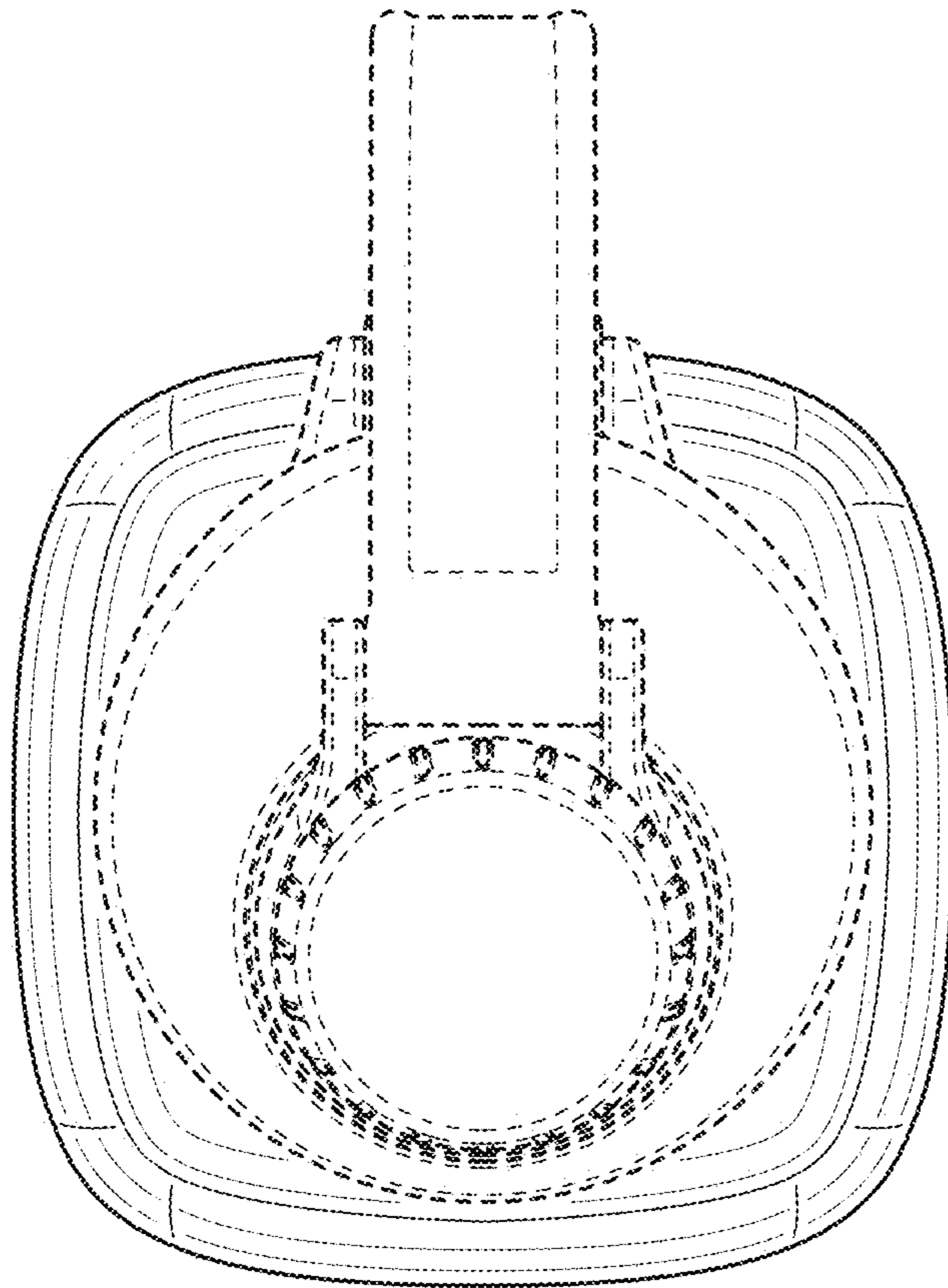


FIG. 6

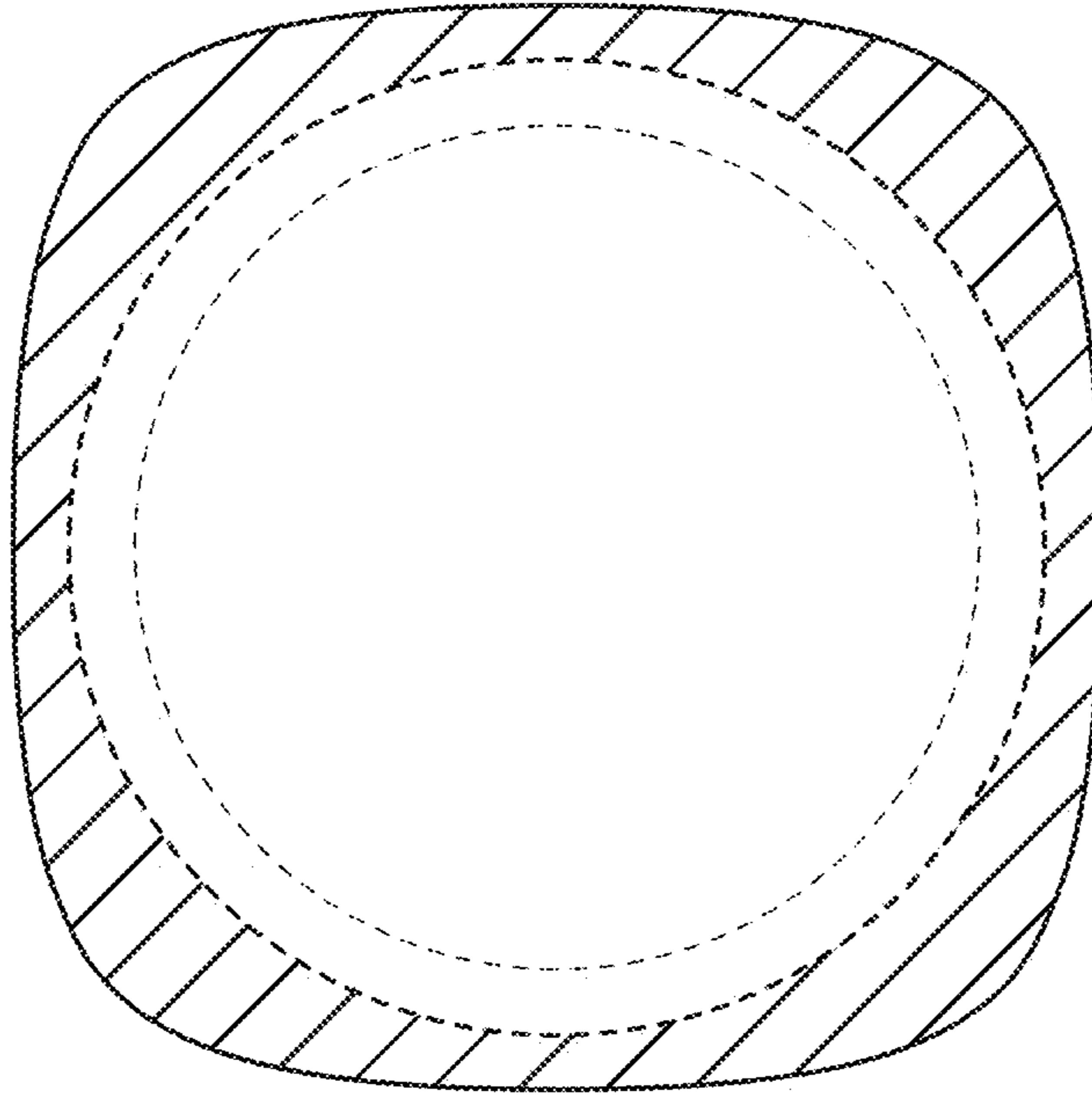


FIG. 7

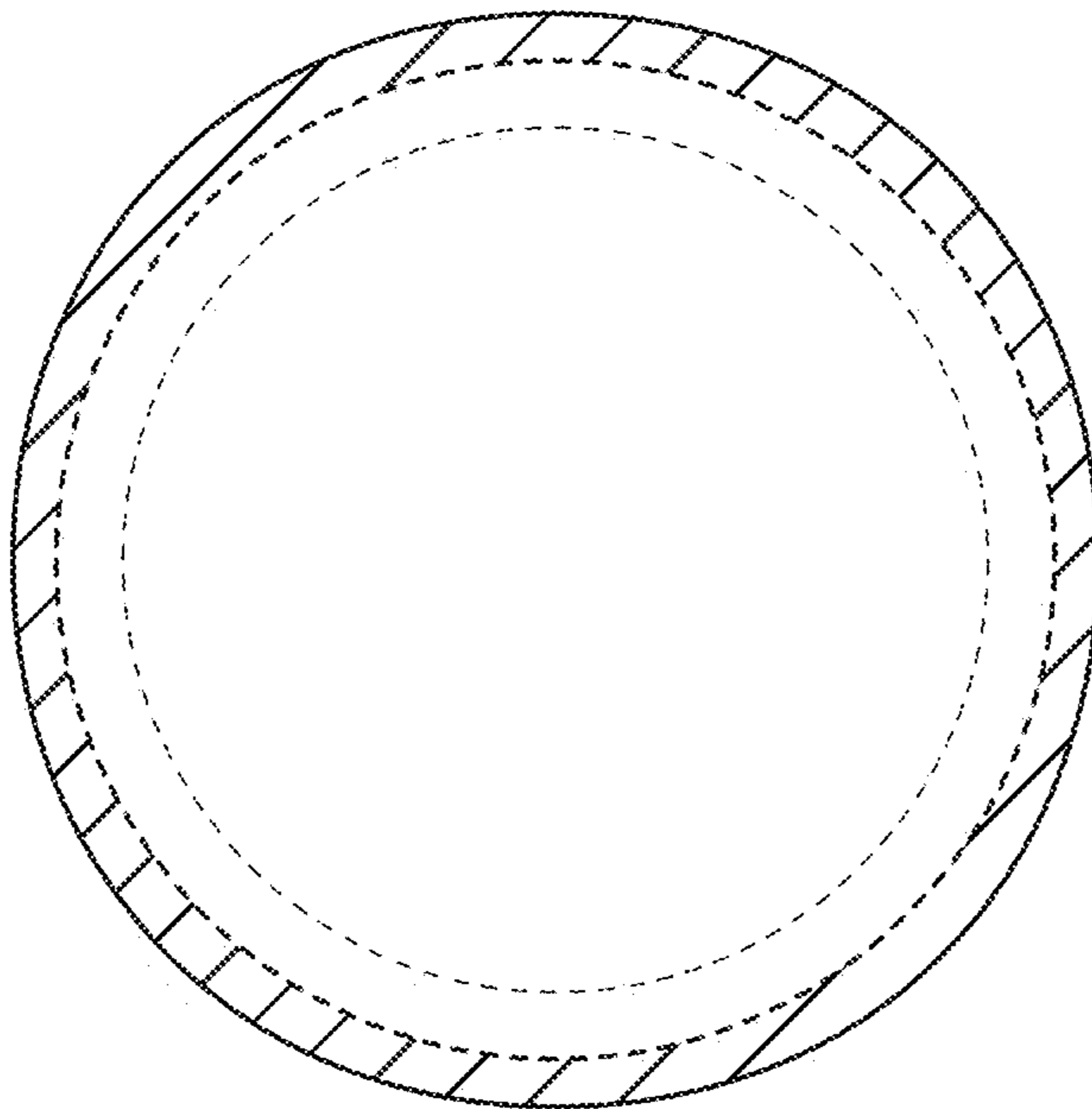


FIG. 8

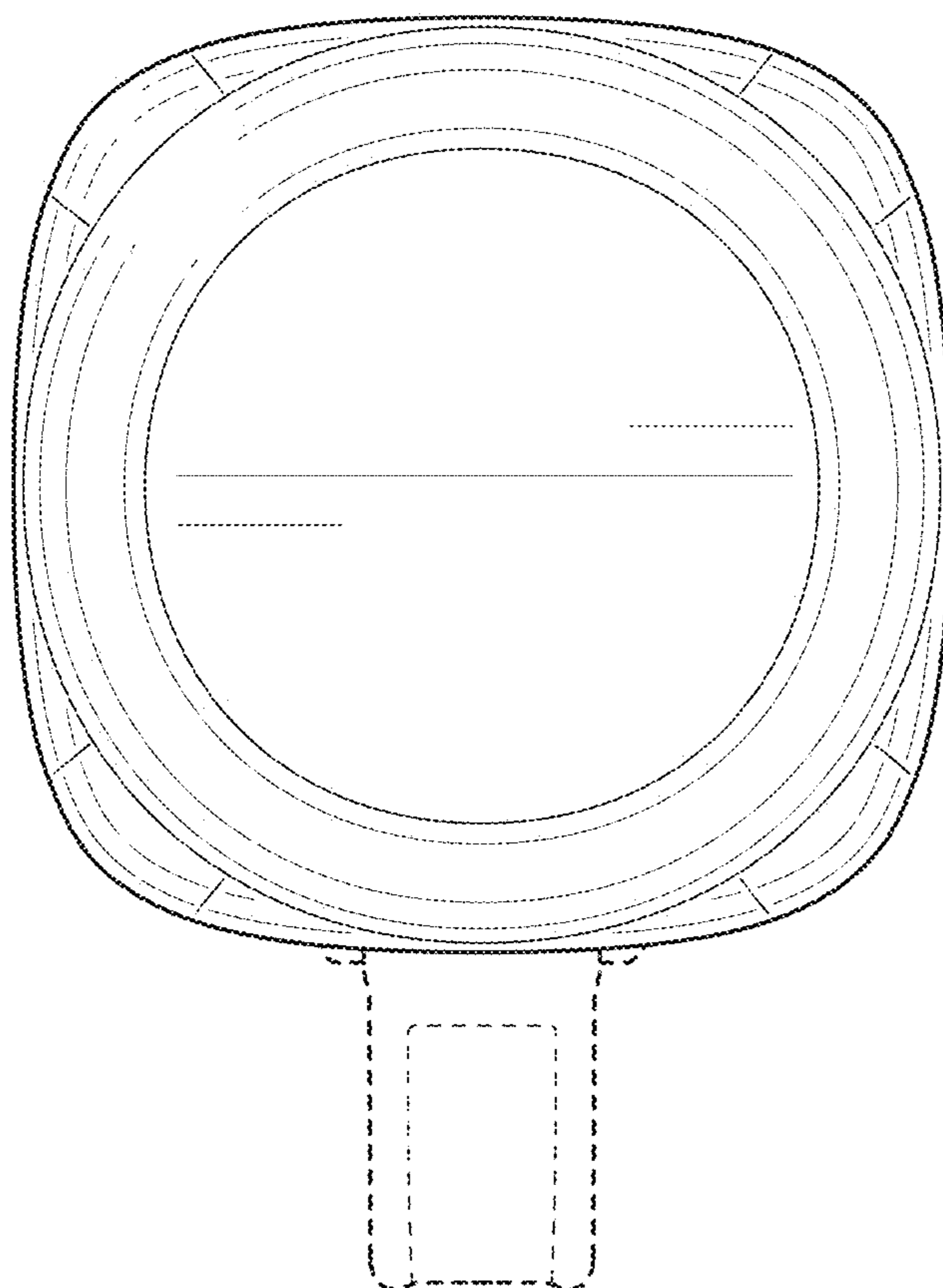


FIG. 9