



US00D891866S

(12) **United States Design Patent** (10) **Patent No.:** **US D891,866 S**
Ames (45) **Date of Patent:** **** Aug. 4, 2020**

(54) **TUMBLER**
(71) Applicant: **Real Value LLC**, Norman, OK (US)
(72) Inventor: **Micah Ames**, Oklahoma City, OK (US)
(73) Assignee: **Real Value LLC**, Moore, OK (US)
(**) Term: **15 Years**
(21) Appl. No.: **29/671,942**

D648,985 S * 11/2011 Chiu D7/510
D672,238 S 12/2012 Aziz et al.
D672,609 S 12/2012 Aziz et al.
D674,241 S * 1/2013 Bickert D7/510
D700,012 S 2/2014 Hurley et al.
D723,333 S 3/2015 Lin
D724,385 S 3/2015 Hurley et al.
D729,581 S * 5/2015 Boroski D7/510
D736,034 S * 8/2015 Spivey D7/510
D740,073 S * 10/2015 Zorovich D7/507
D757,542 S * 5/2016 Prum D9/447
9,346,607 B2 * 5/2016 Madjar B65D 83/00
D769,069 S * 10/2016 Sanbar D7/507

(Continued)

(22) Filed: **Nov. 30, 2018**
(51) **LOC (12) Cl.** **07-01**
(52) **U.S. Cl.**
USPC **D7/510; D7/507; D7/523**
(58) **Field of Classification Search**
USPC D7/517, 519, 510, 511, 523, 532, 300,
D7/300.1, 313, 531; D9/500, 501, 502,
D9/503, 504, 516, 530, 539, 549, 562,
D9/571, 574, 575, 529, 558, 454, 449,
D9/443, 436, 435, 453; D24/115, 121,
D24/122; D23/366
CPC A47G 19/22; A47G 19/2288; A47G
19/2205; A47J 43/27; A47J 41/0077;
A47J 41/0088
See application file for complete search history.

OTHER PUBLICATIONS

https://www.amazon.com/Metallic-Insulated-Reusable-Silicone-Pearlescent/dp/B07D7FYZFW/ref=sr_1_5?keywords=Ban.do+metallic&qid=1584389913&sr=8-5 (Year: 2018).*

(Continued)

Primary Examiner — Jae Liang
(74) *Attorney, Agent, or Firm* — Hall Estill Law Firm

(57) **CLAIM**

The ornamental design for a tumbler, as shown and described.

(56) **References Cited**

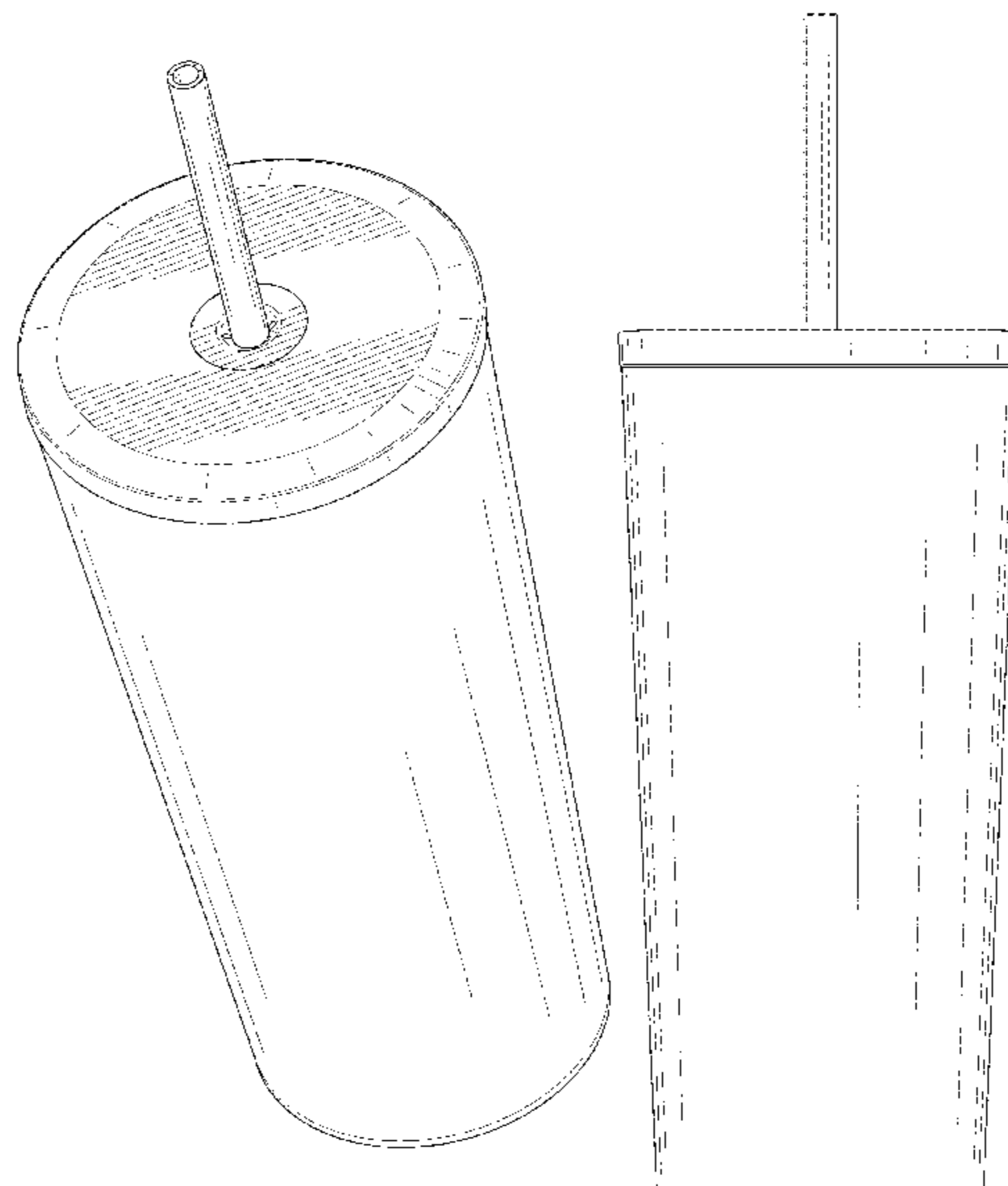
U.S. PATENT DOCUMENTS

4,121,835 A * 10/1978 Garabedian A47G 21/182
138/121
4,494,668 A * 1/1985 Lottick A47G 19/2266
215/229
4,948,009 A * 8/1990 Sawatani A23F 5/243
215/388
5,361,935 A * 11/1994 Sagucio A47G 19/2266
215/229
D476,193 S * 6/2003 Janky D7/510
D530,568 S * 10/2006 Wingenter D7/507
D620,357 S 7/2010 Jewett et al.
D648,177 S 11/2011 Eyal

DESCRIPTION

FIG. 1 is a top, perspective view showing a first embodiment of my new design for a tumbler.
FIG. 2 is a bottom, perspective view of FIG. 1.
FIG. 3 is a front side elevation view of FIG. 1.
FIG. 4 is a rear side elevation of view of FIG. 1.
FIG. 5 is a left side elevation view of FIG. 1.
FIG. 6 is a right side elevation view of FIG. 1.
FIG. 7 is a top view of FIG. 1.
FIG. 8 is a bottom view of FIG. 1; and,
FIG. 9 is a side view of a second embodiment of my tumbler.

1 Claim, 8 Drawing Sheets



(56)

References Cited

U.S. PATENT DOCUMENTS

D778,676 S * 2/2017 Maple D7/510
 D781,653 S * 3/2017 Matthis D7/300.2
 D787,935 S 5/2017 Kaiser
 D790,276 S * 6/2017 Lane D7/507
 D790,920 S 7/2017 Goodwin et al.
 D791,579 S 7/2017 Perry et al.
 D804,907 S * 12/2017 Sandoval D7/510
 D808,220 S 1/2018 Burns et al.
 D809,920 S 2/2018 Maple
 D810,504 S 2/2018 Goodwin et al.
 D811,818 S 3/2018 Wu
 D812,428 S 3/2018 Wu
 D814,239 S * 4/2018 Arora D7/510
 D815,908 S 4/2018 Kauss et al.
 D822,439 S 7/2018 Spivey et al.
 D838,140 S * 1/2019 Furneaux D7/510

D855,390 S * 8/2019 Lullie D7/392.1
 D873,603 S * 1/2020 Diener D7/392
 2012/0132658 A1* 5/2012 Dans G01K 1/14
 2012/0247998 A1* 10/2012 Wahl B65D 1/265
 206/459.5
 2015/0265078 A1* 9/2015 Goosman A47G 19/2222
 220/707

OTHER PUBLICATIONS

https://www.amazon.com/Simple-Modern-Classic-Tumbler-Straw/dp/B07D4BNCCM/ref=sr_1_13?crid=3S77XGEFVPPWU&keywords=simple+modern+straw+lid&qid=1584389965&sr=8-13 (Year: 2018).*
<https://www.worldmarket.com/product/matte-metallic-double-wall-cup-with-straw-set-of-2.do> (Year: 2019).*

* cited by examiner

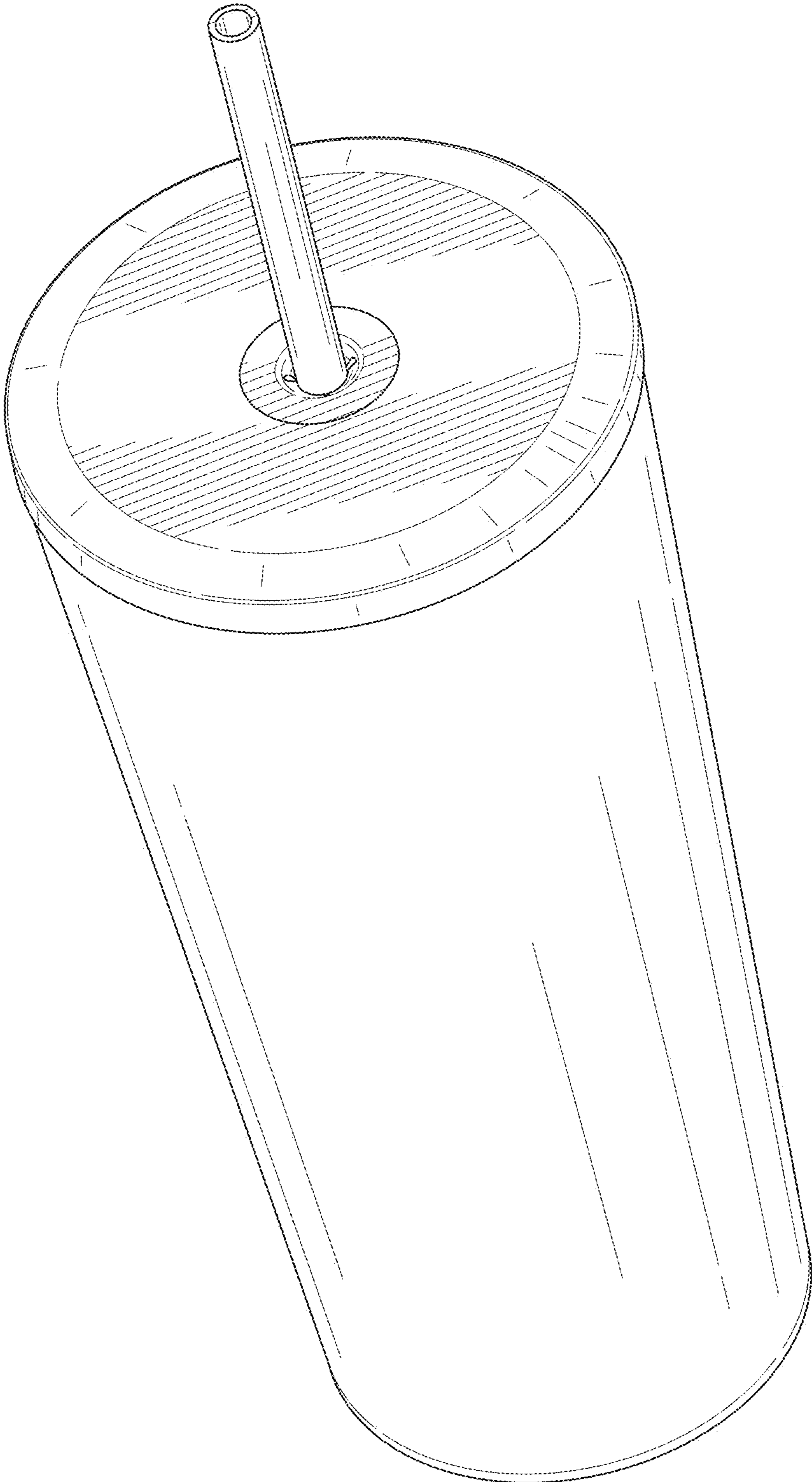


FIG. 1

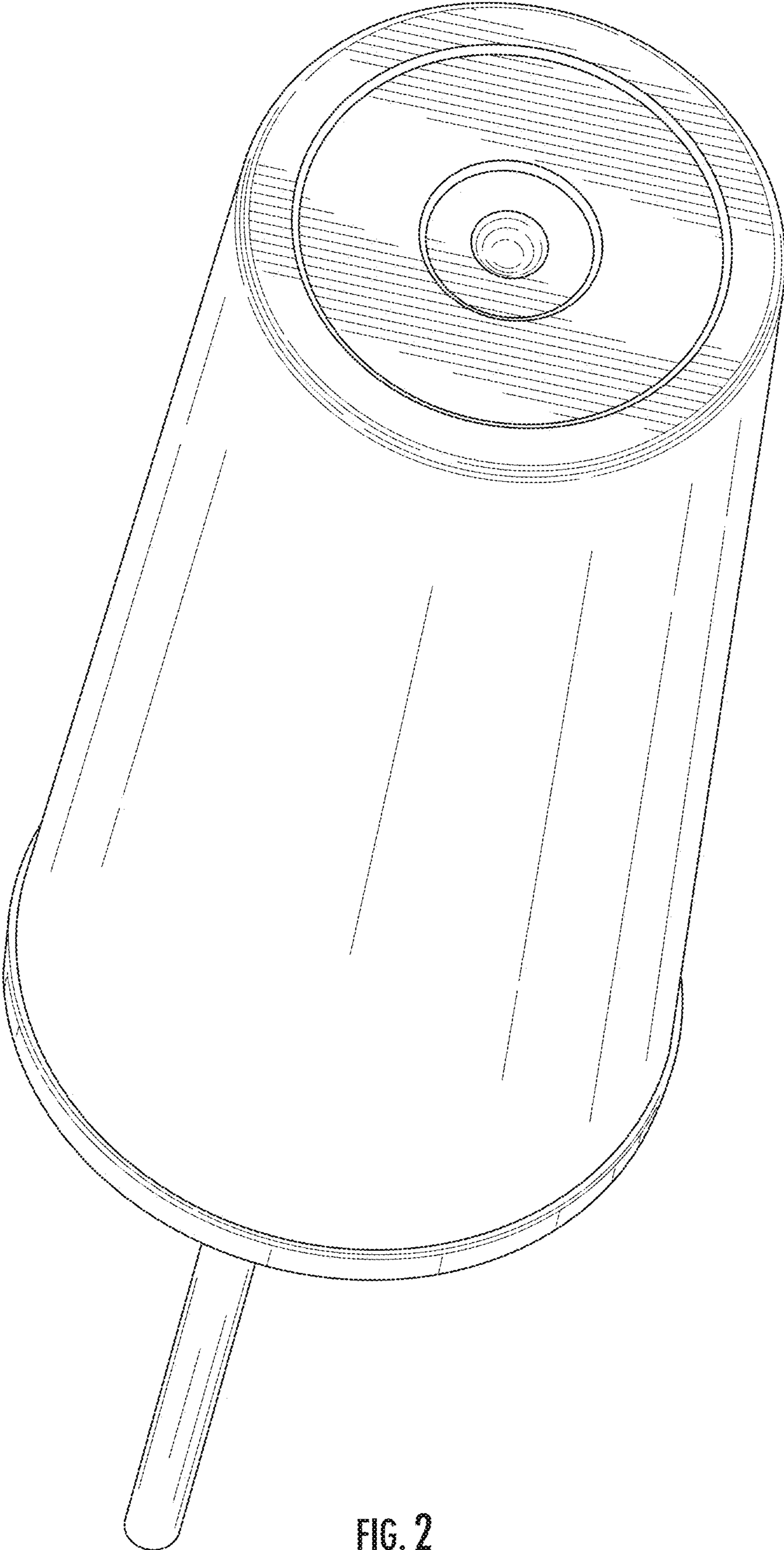


FIG. 2

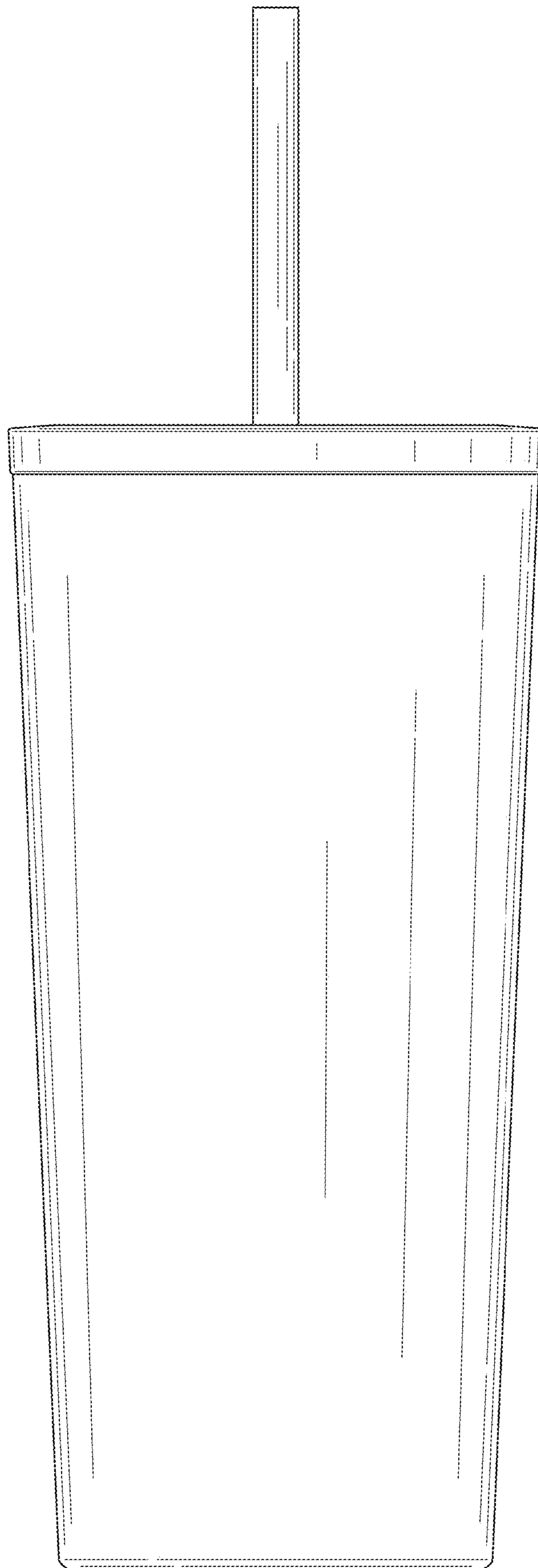


FIG. 3

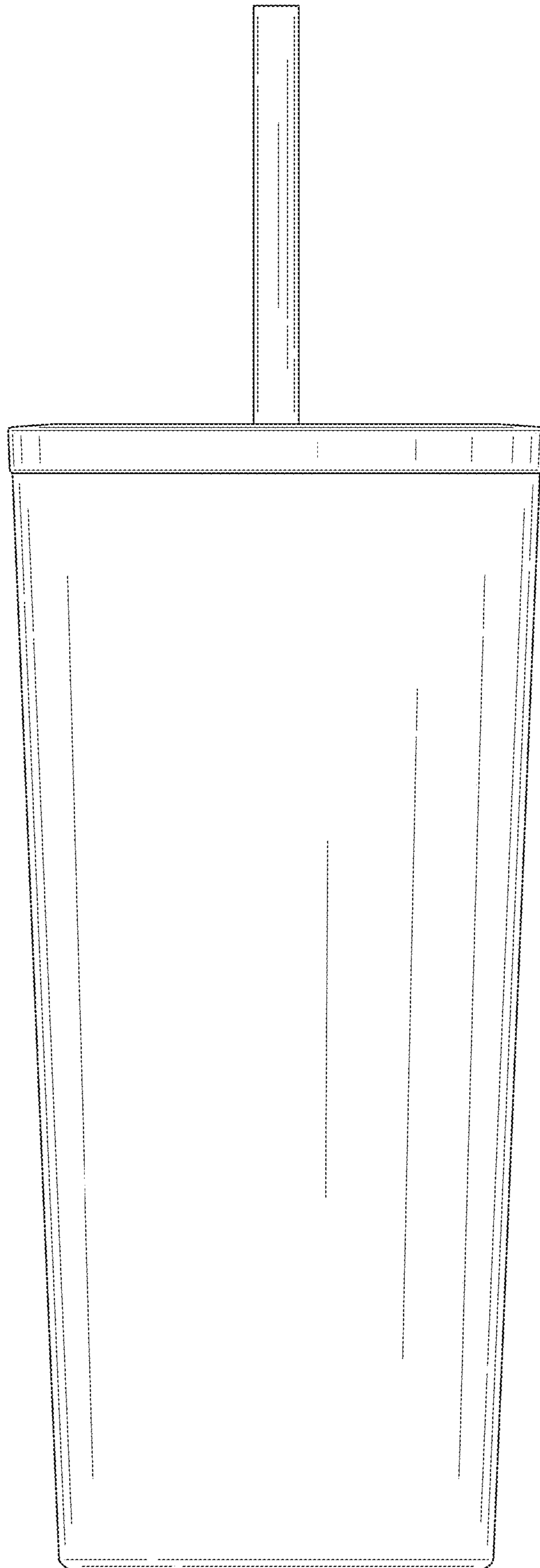


FIG. 4

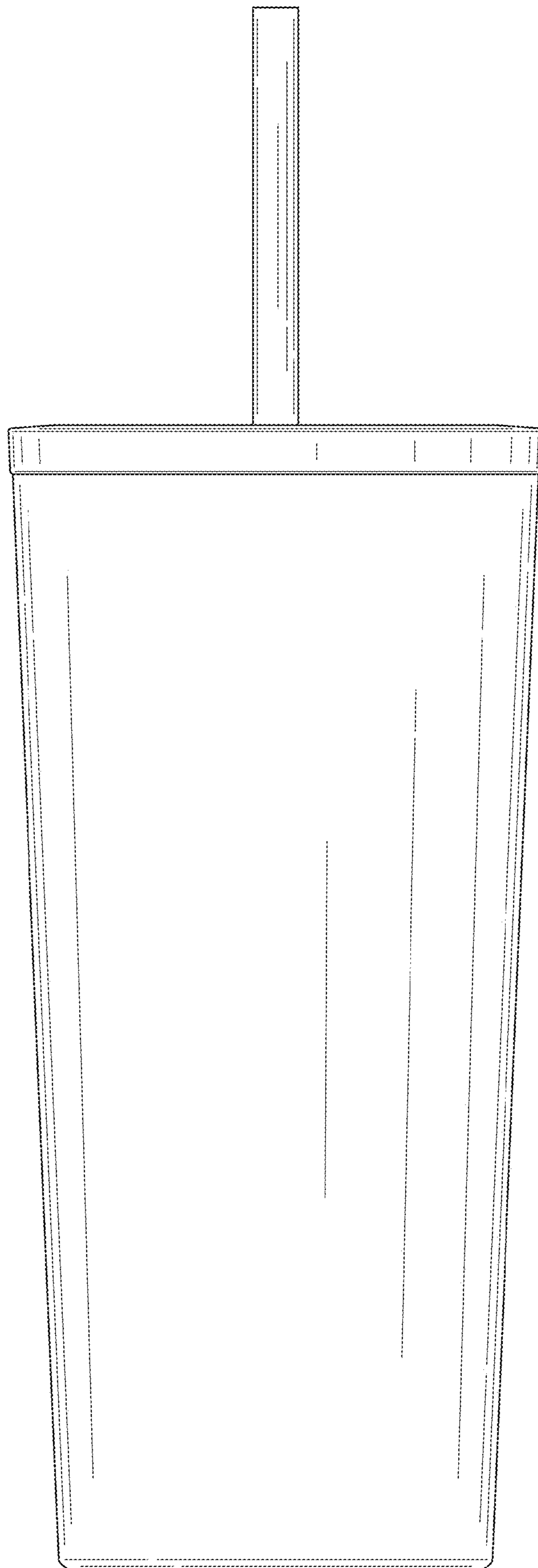


FIG. 5

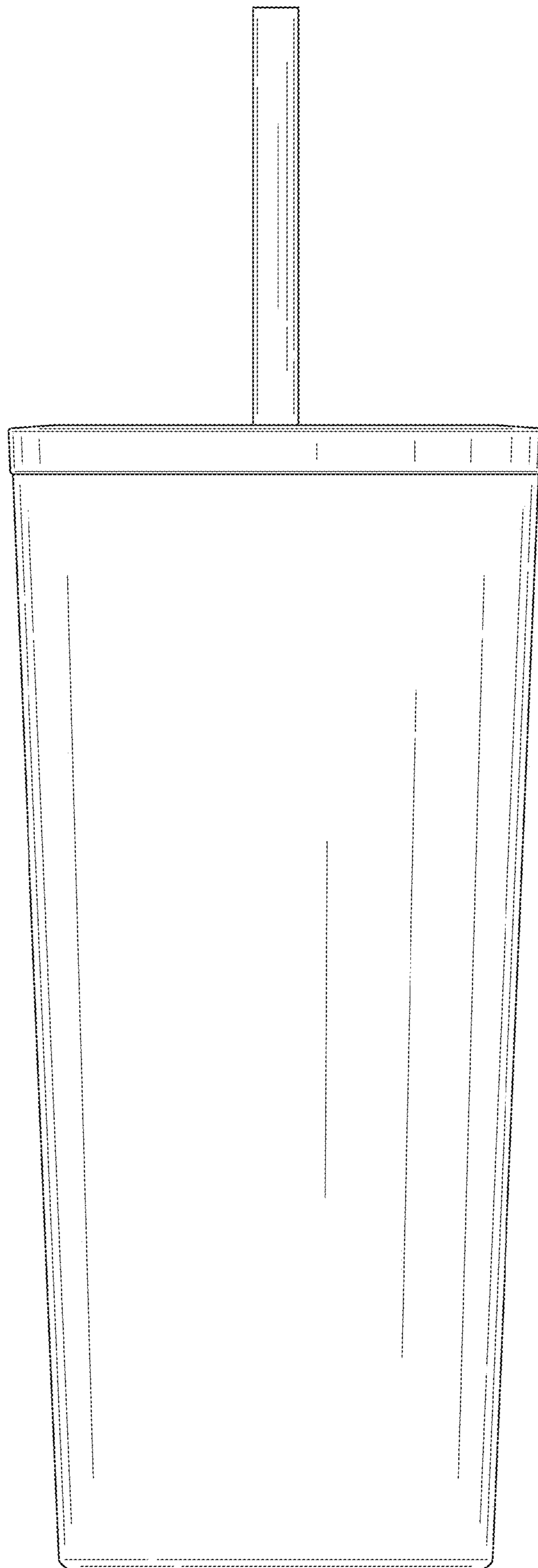


FIG. 6

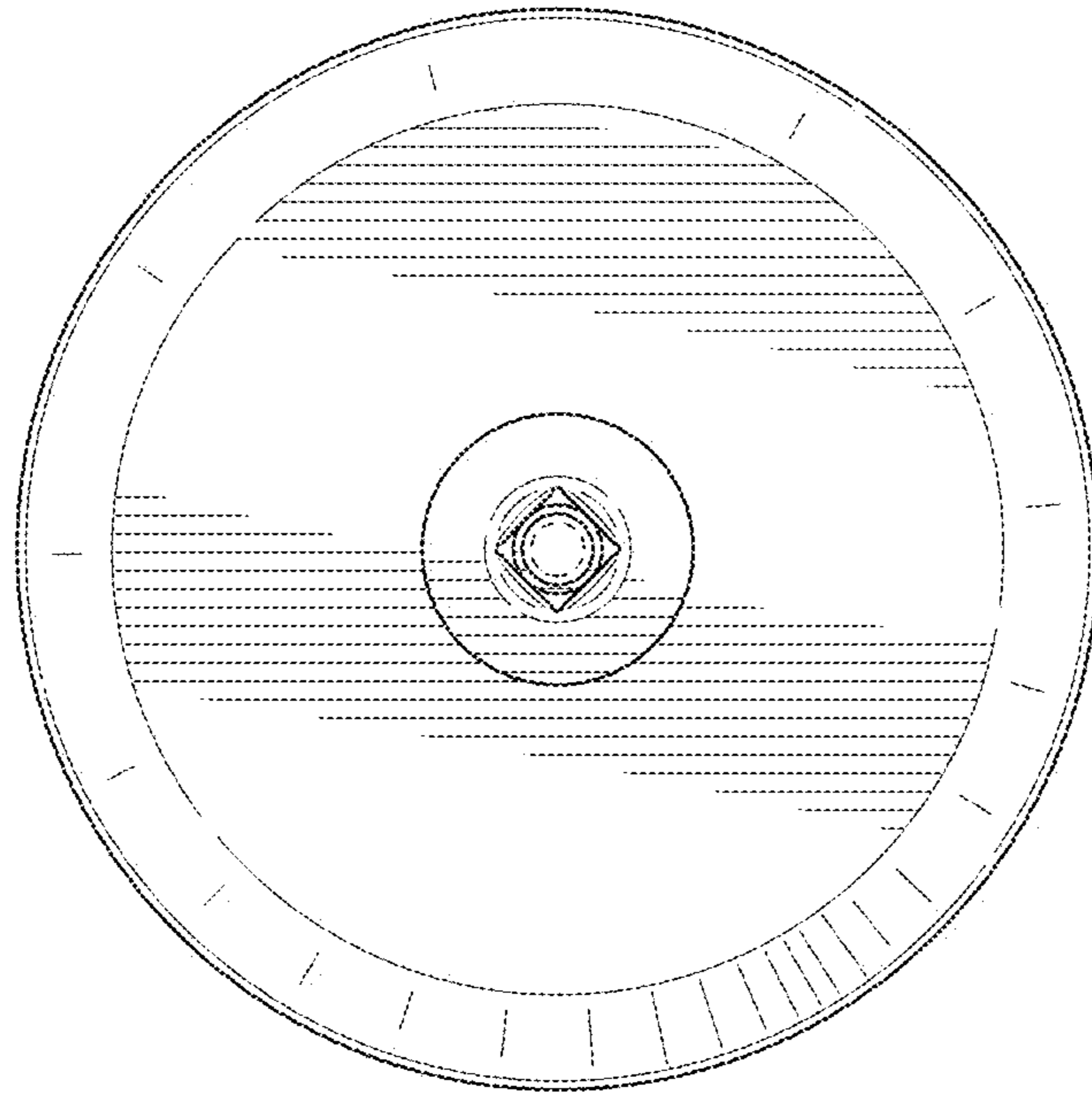


FIG. 7

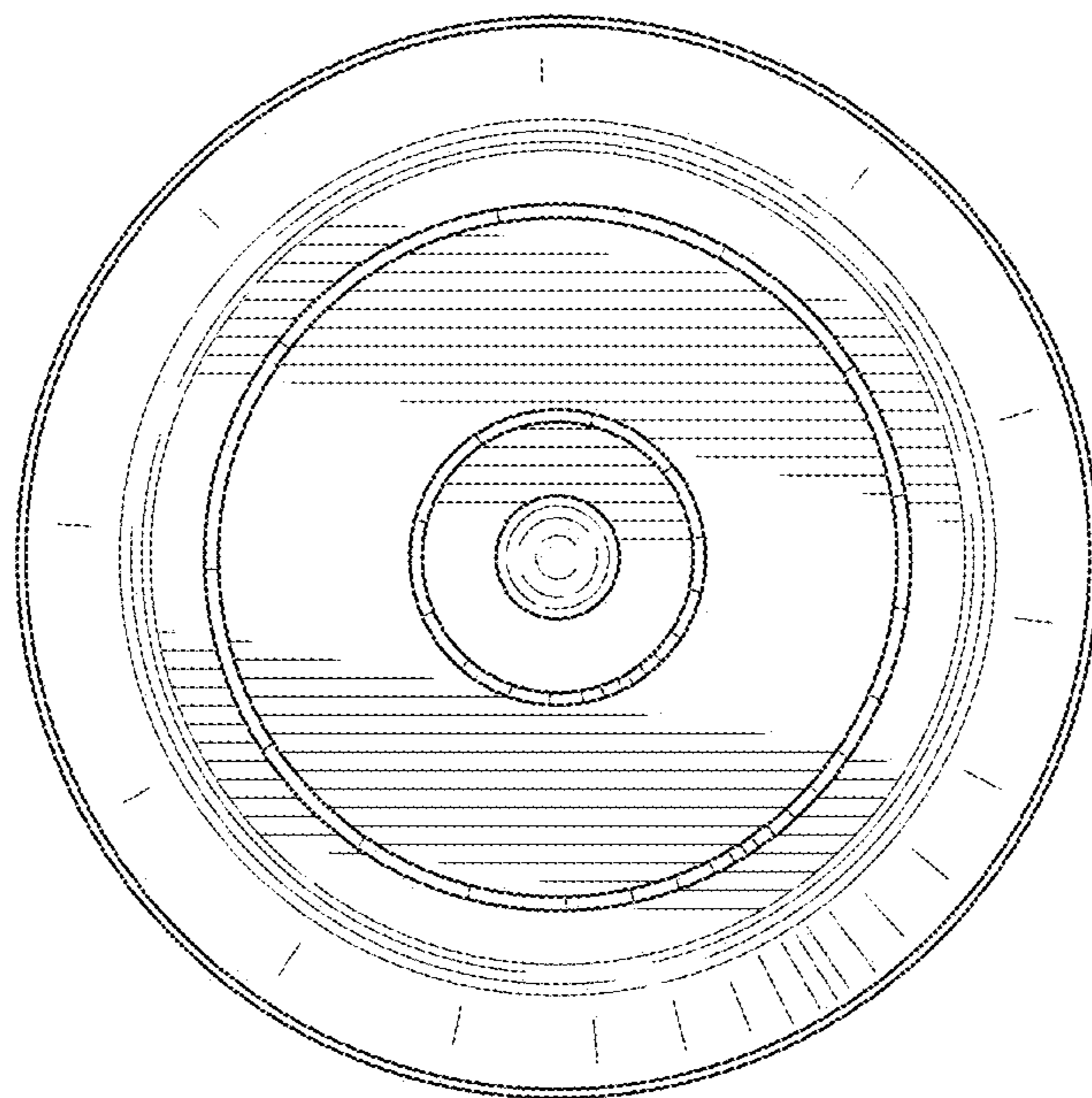


FIG. 8

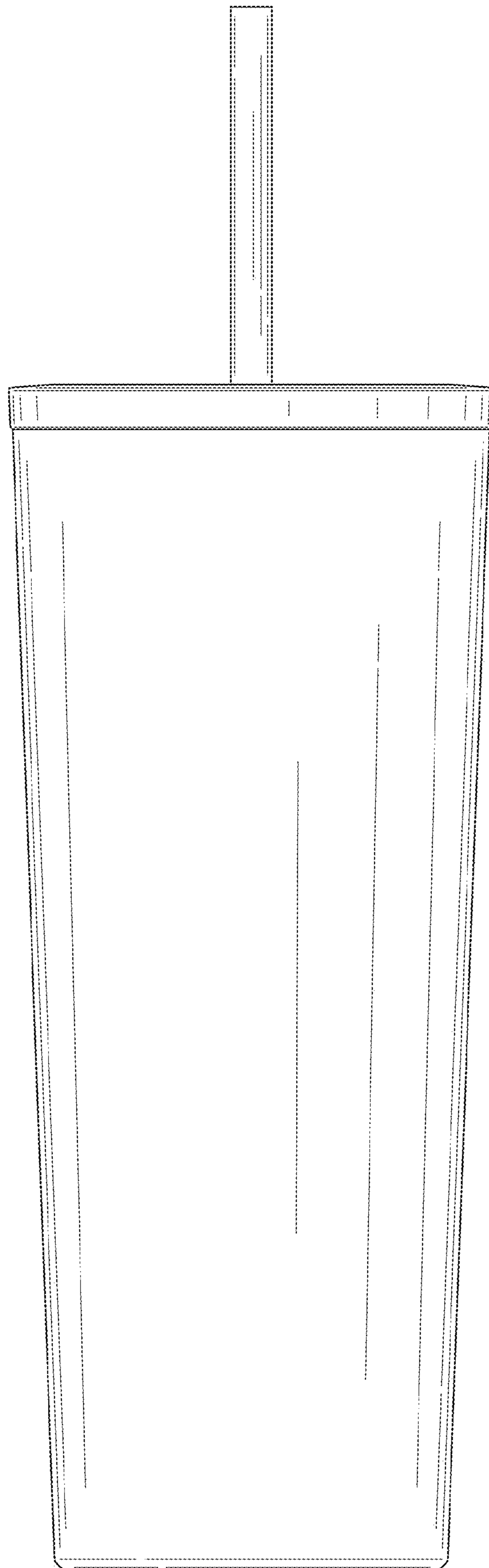


FIG. 9