



US00D891865S

(12) **United States Design Patent** (10) **Patent No.:** **US D891,865 S**
Han (45) **Date of Patent:** **** Aug. 4, 2020**

(54) **SIPPY CUP WITH A FLIP LID AND STRAW**

D747,146 S * 1/2016 Struckmeier D7/510
D799,898 S * 10/2017 Yao D7/510
D821,147 S * 6/2018 Chung D7/510

(71) Applicant: **BARENTHAL NORTH AMERICA, INC.**, Whippany, NJ (US)

(Continued)

(72) Inventor: **Hongyuan Han**, New Vernon, NJ (US)

Primary Examiner — Marianne N Pandozzi

(73) Assignee: **BARENTHAL NORTH AMERICA, INC.**, Whippany, NJ (US)

Assistant Examiner — Jae Liang

(74) *Attorney, Agent, or Firm* — Preti Flaherty Beliveau & Pachios LLP

(**) Term: **15 Years**

(57) **CLAIM**

The ornamental design for a sippy cup with a flip lid and straw, as shown and described.

(21) Appl. No.: **29/629,447**

DESCRIPTION

(22) Filed: **Dec. 13, 2017**

(51) **LOC (12) Cl.** **07-01**

(52) **U.S. Cl.**

USPC **D7/510**; D7/511; D7/532

(58) **Field of Classification Search**

USPC D7/507, 509, 510, 511, 514, 515, 516,
D7/519, 523, 533, 534, 535, 536, 608,
D7/300.1, 300.2, 629, 300, 401.1, 392.1,
D7/396.2, 532; D9/500, 501, 502, 503,
D9/504, 435, 436; D24/197

CPC A47G 19/22; A47G 19/2288; A47G
19/2205; A47G 19/2211; A47G 19/2266;
A47G 19/2272; B65D 47/066; A45F
3/16; A47J 41/02; A47J 41/0088

See application file for complete search history.

FIG. 1 is a front left perspective view of a sippy cup with a flip lid and straw in a closed position showing my new design; the front right perspective view being a mirror image thereof;

FIG. 2 is a front left perspective view of FIG. 1 with a flip lid and straw in an open position; the front right perspective view being a mirror image thereof;

FIG. 3 is a rear left perspective view of FIG. 1; the rear right perspective view being a mirror image thereof;

FIG. 4 is a top plan view of FIG. 1;

FIG. 5 is a front view of FIG. 1;

FIG. 6 is a right side view of FIG. 1; the left side view being a mirror image thereof;

FIG. 7 is a rear, right side bottom perspective view of FIG. 1;

FIG. 8 is a rear bottom perspective view of FIG. 1;

FIG. 9 is a rear, left side bottom perspective view of FIG. 1;

FIG. 10 is another rear, right side bottom perspective view of FIG. 1; the rear, left side bottom perspective view being a mirror image thereof;

FIG. 11 is a bottom perspective view of FIG. 1; and,

FIG. 12 is a top front perspective view of FIG. 1 with an unclaimed handle.

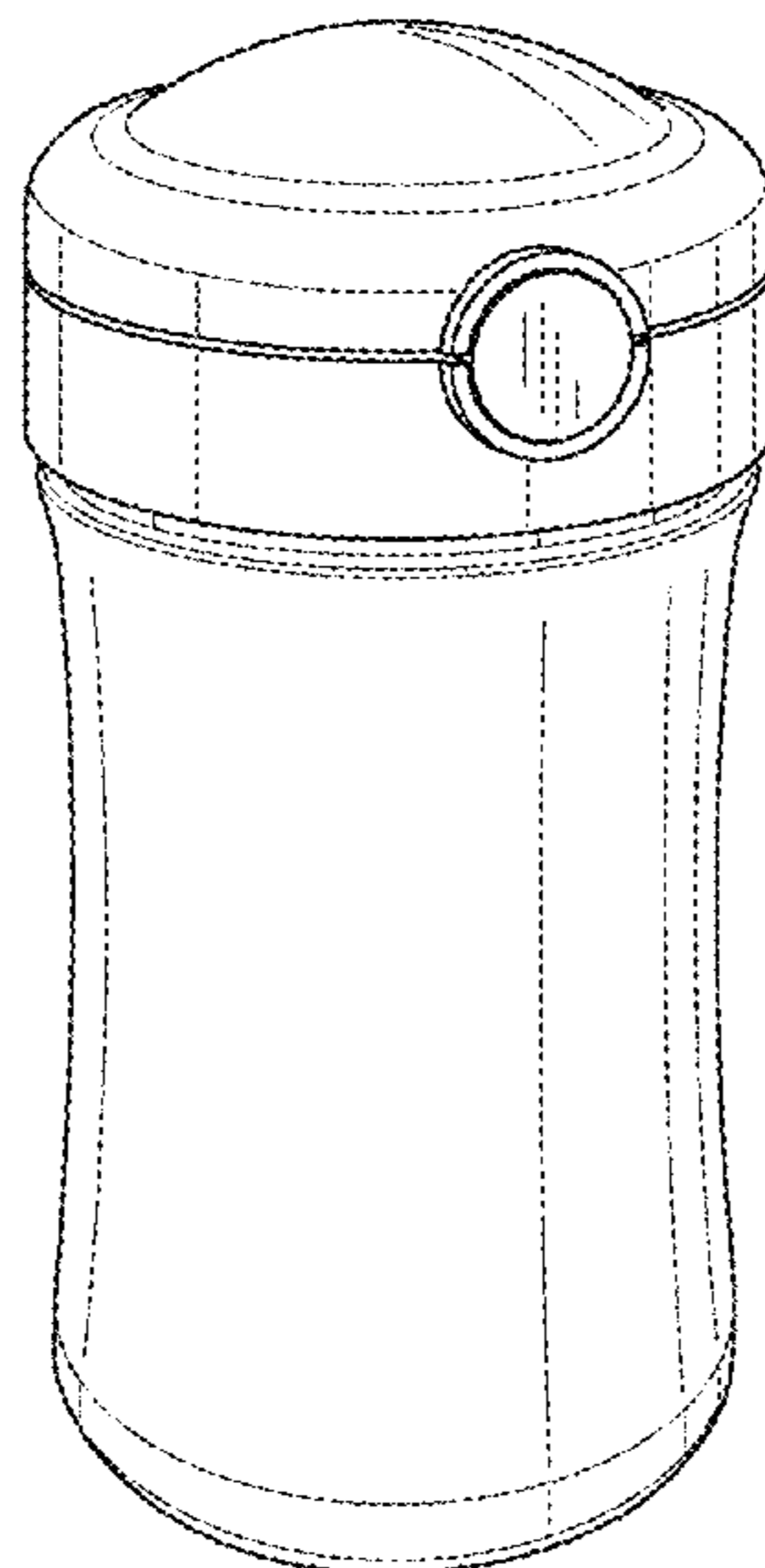
The broken lines depicted in FIG. 12 show the environment in which the design is associated and form no part of the claimed design.

(56) **References Cited**

U.S. PATENT DOCUMENTS

5,988,425 A * 11/1999 Yehl A47G 19/2272
215/11.4
D588,411 S * 3/2009 Watanabe D7/507
D609,964 S * 2/2010 Lane D7/392.1
D614,447 S * 4/2010 Richau D7/396.2
D625,424 S * 10/2010 MacKay D24/197
9,220,360 B2 * 12/2015 Arai A47G 19/2266
D747,145 S * 1/2016 Struckmeier D7/510

1 Claim, 12 Drawing Sheets



(56)

References Cited

U.S. PATENT DOCUMENTS

D821,815 S *	7/2018	Chung	D7/510
D822,438 S *	7/2018	Chung	D7/510
D850,208 S *	6/2019	Han	D7/510
2011/0049169 A1 *	3/2011	Rosnak	A47G 19/2266 220/705
2011/0278315 A1 *	11/2011	Bower	A47G 19/2272 220/703
2012/0312832 A1 *	12/2012	Lane	B65D 47/066 220/833
2014/0175098 A1 *	6/2014	Lane	A45F 3/16 220/212.5

* cited by examiner

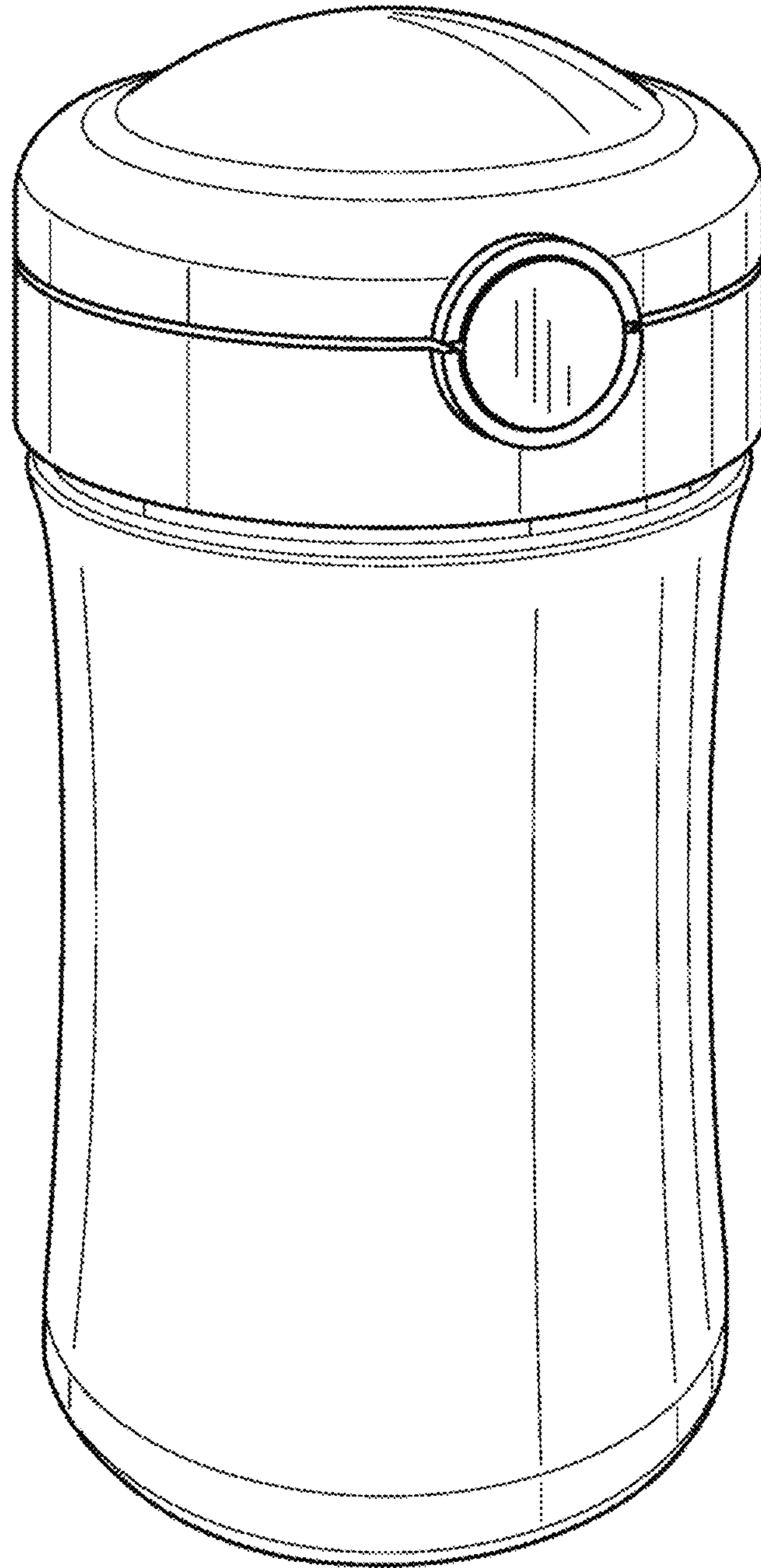


FIG. 1

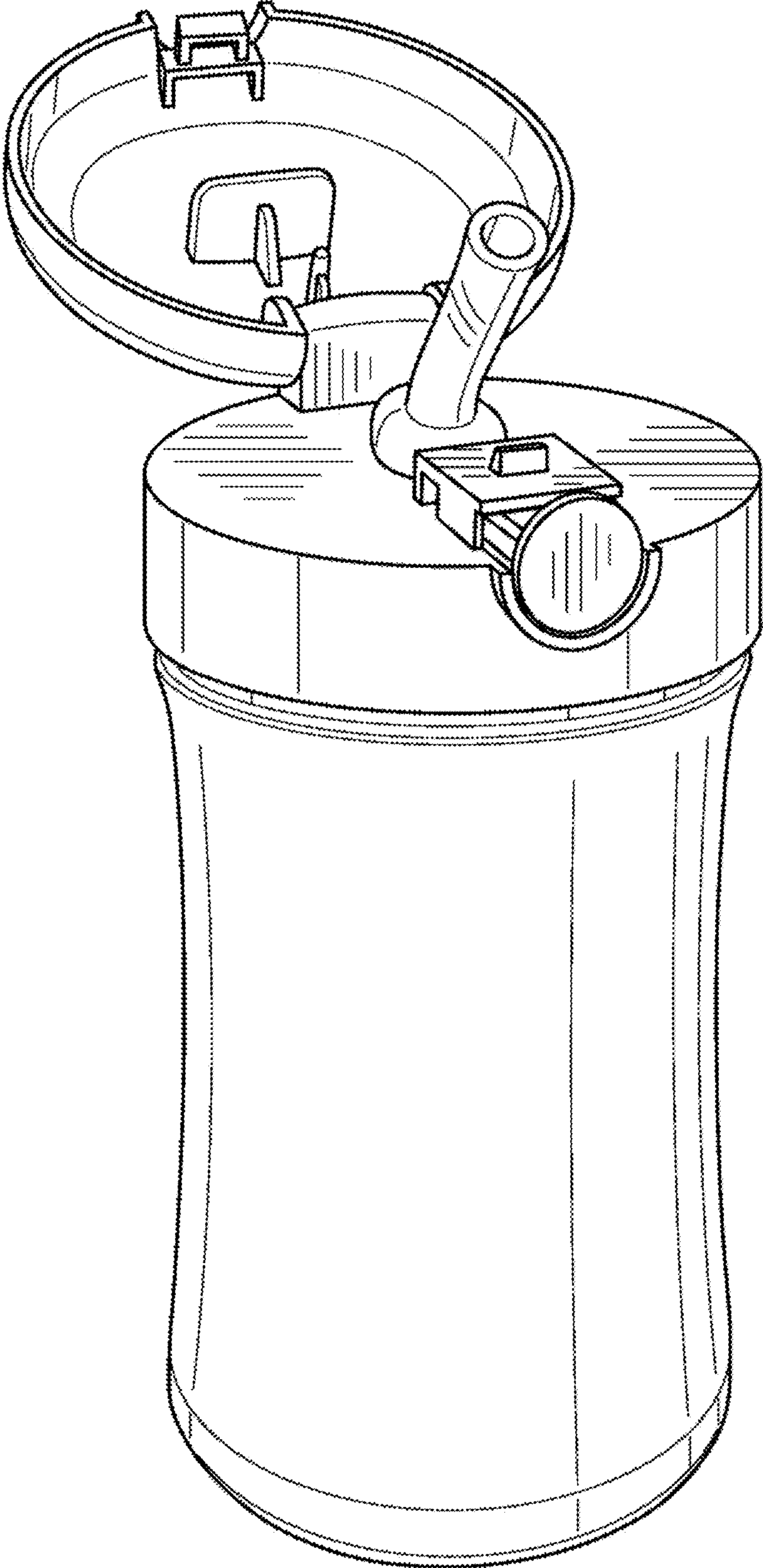


FIG. 2

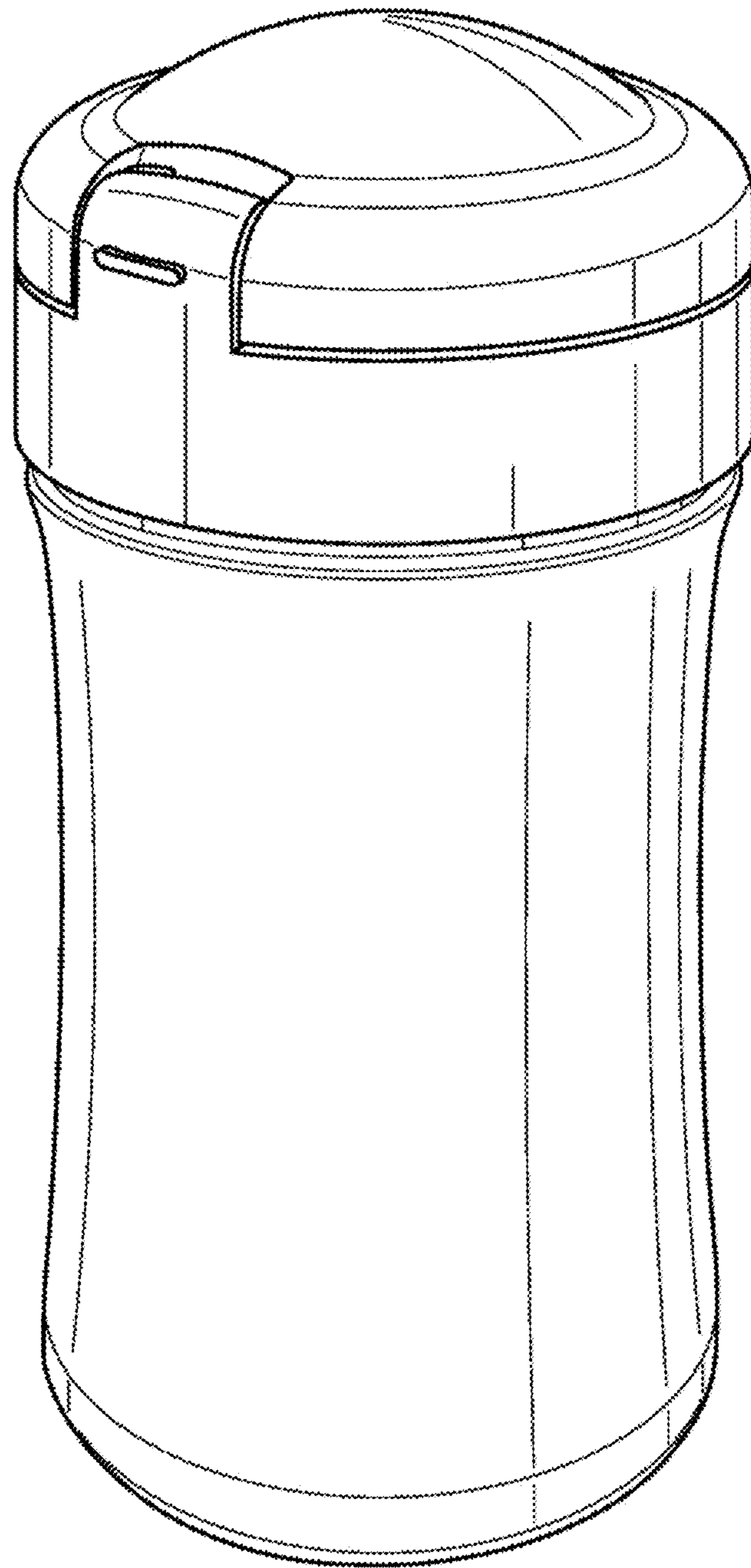


FIG. 3

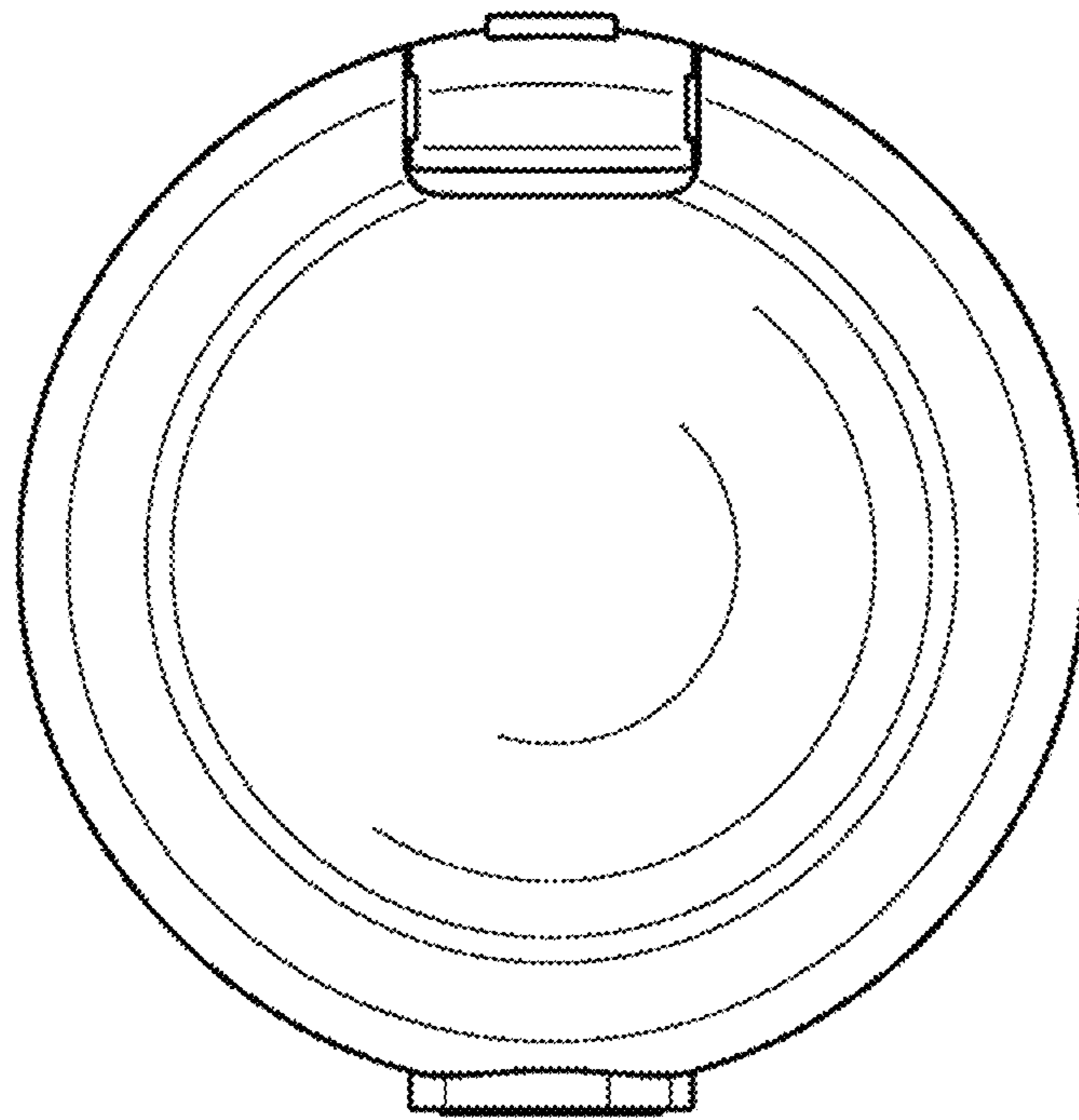


FIG. 4

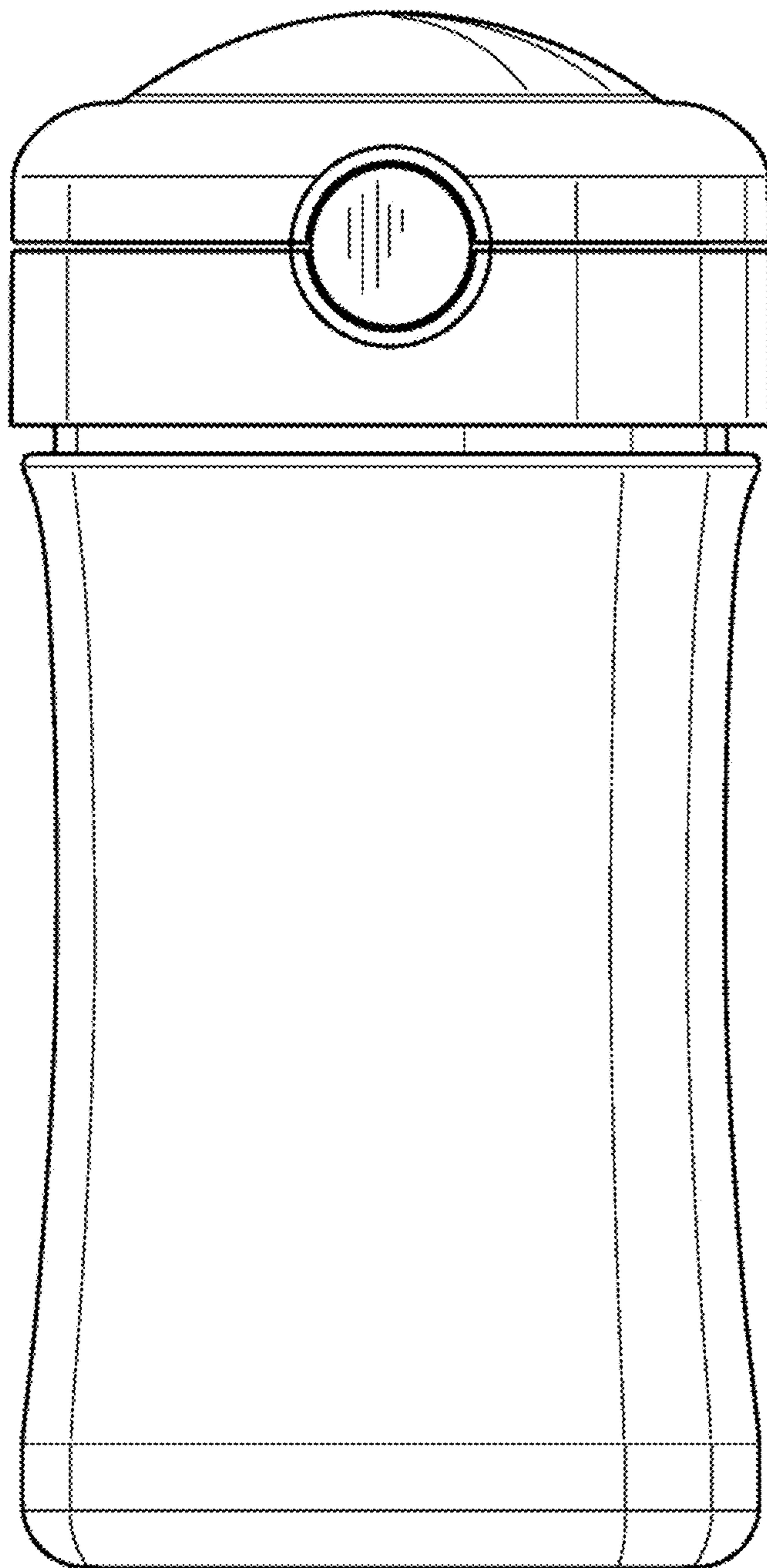


FIG. 5

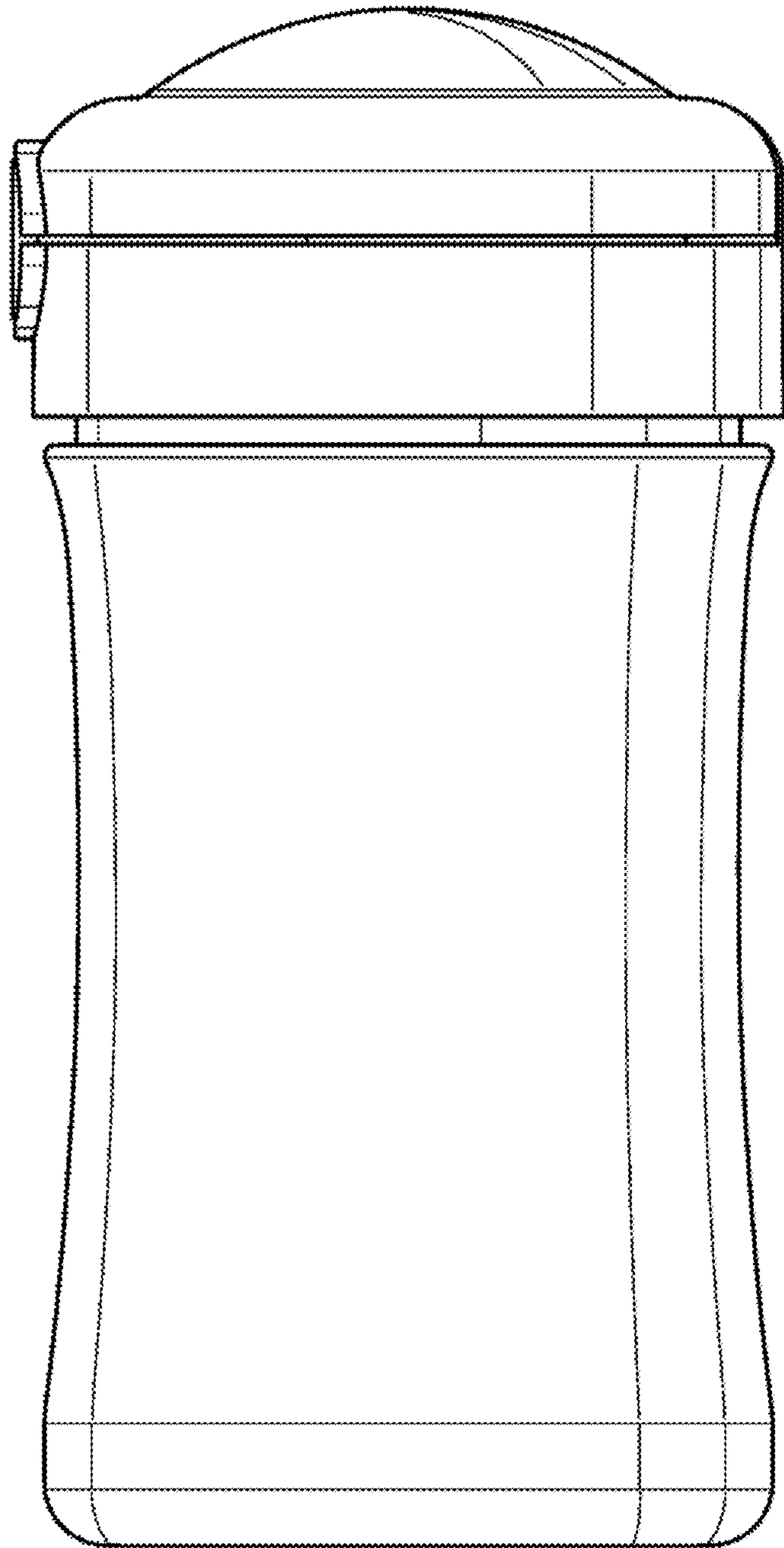


FIG. 6

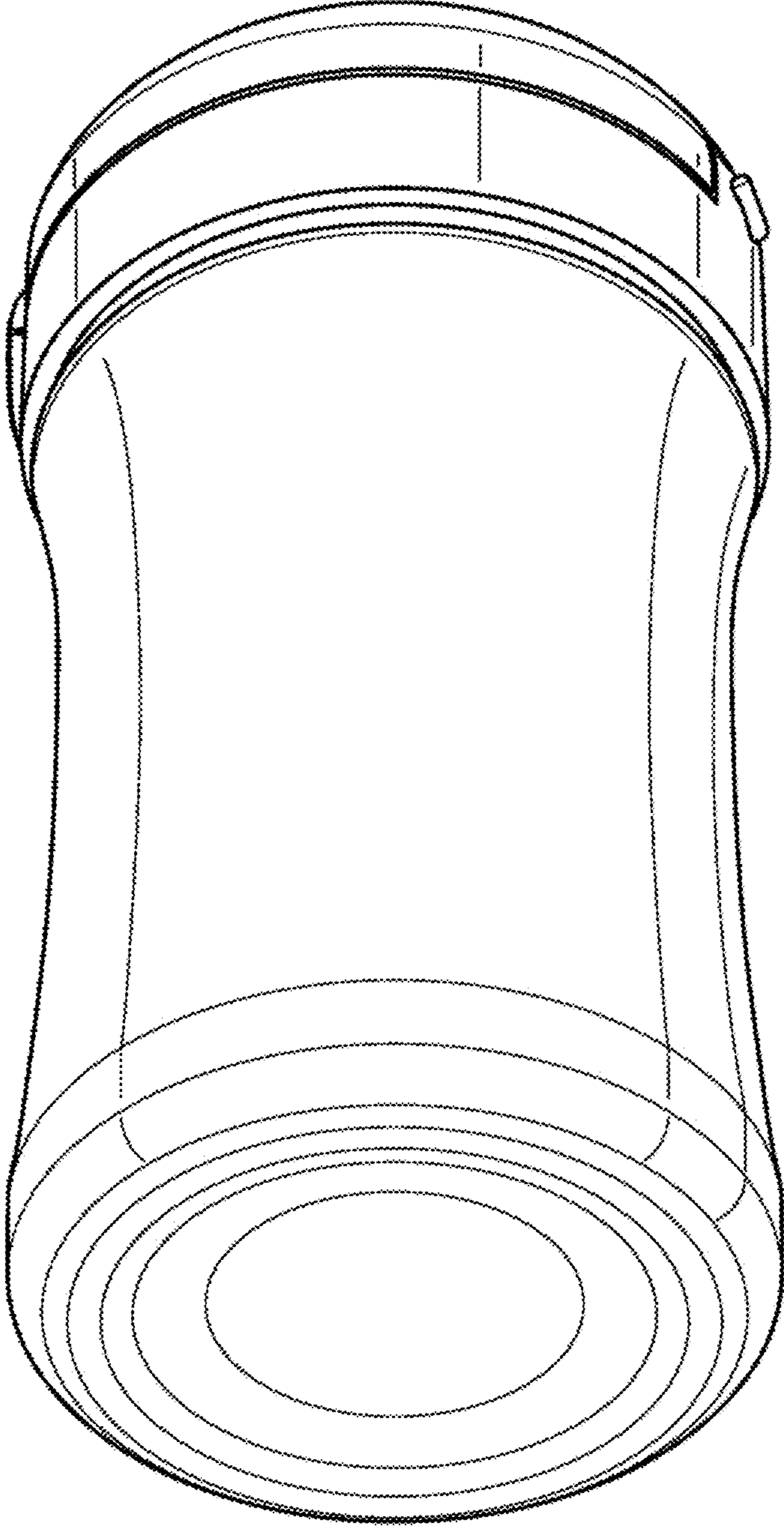


FIG. 7

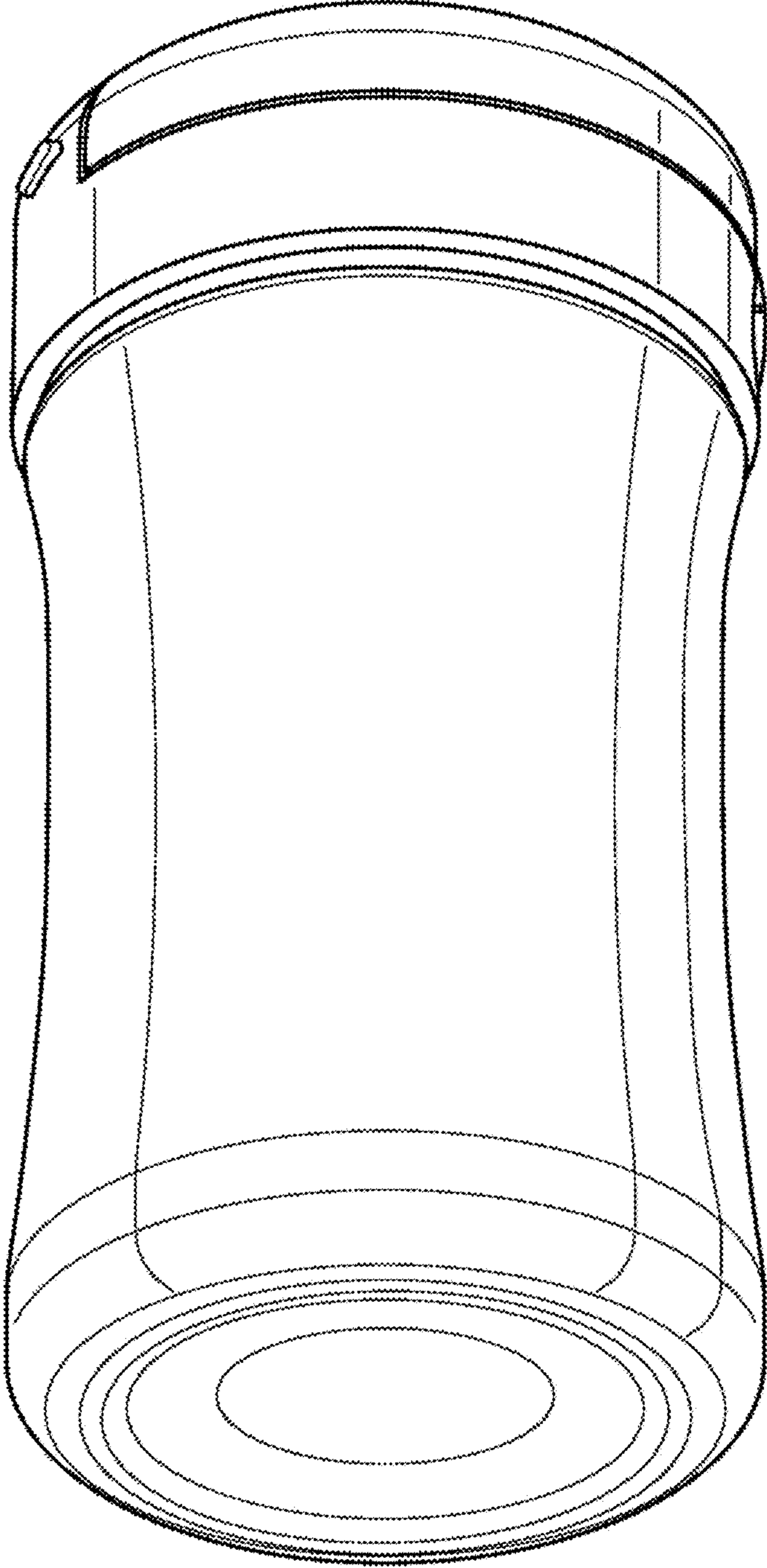


FIG. 8

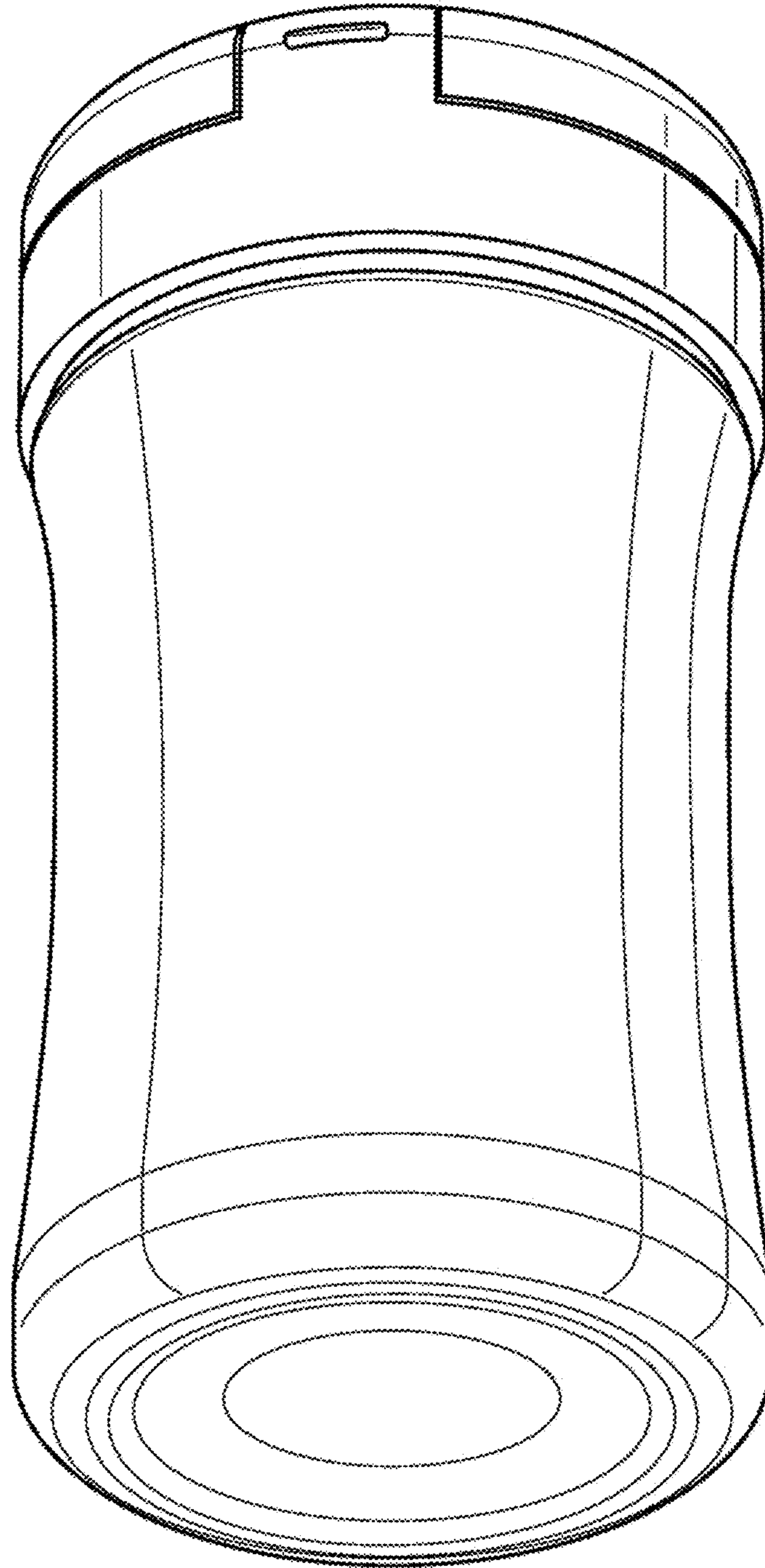


FIG. 9

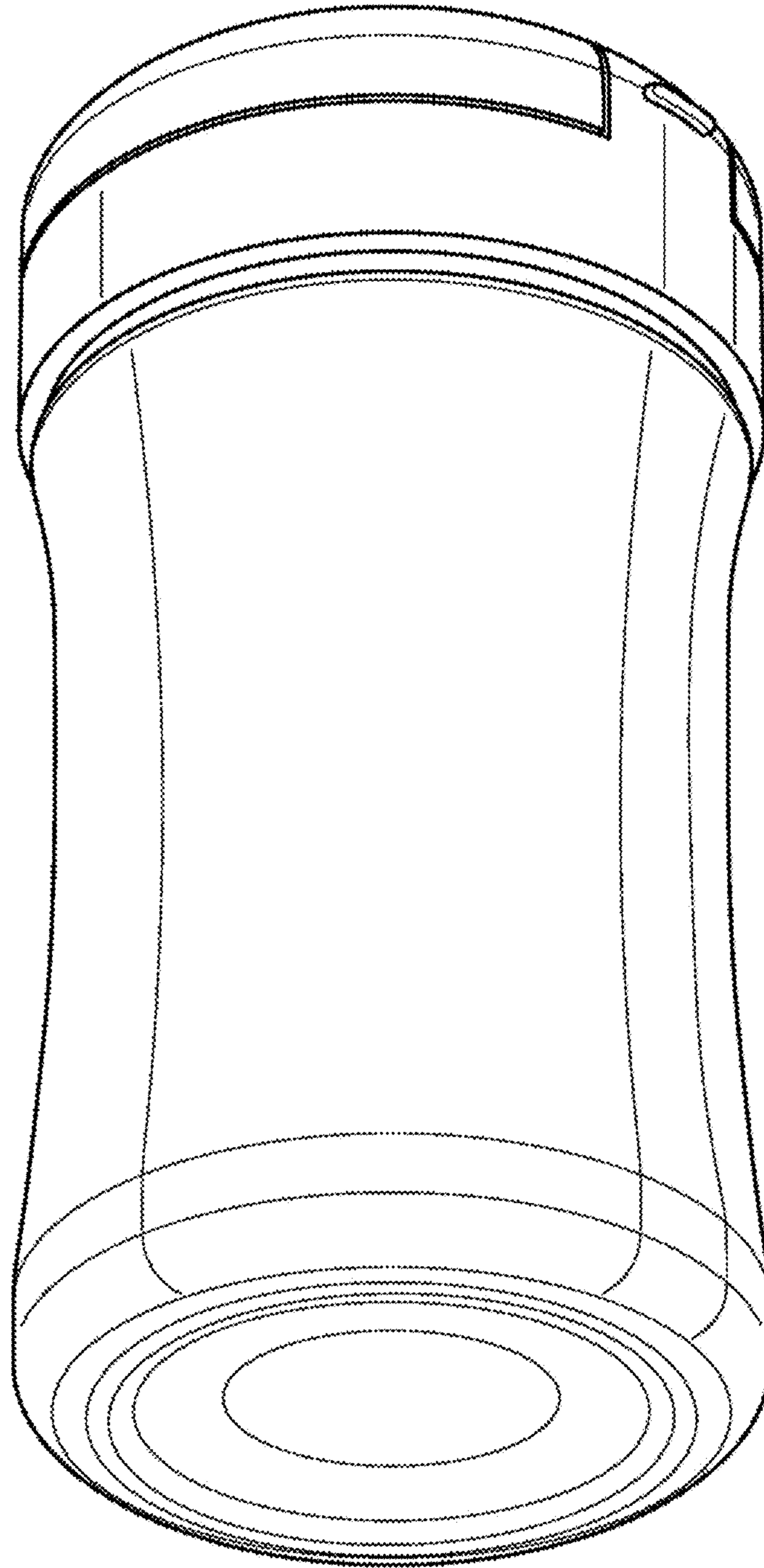


FIG. 10

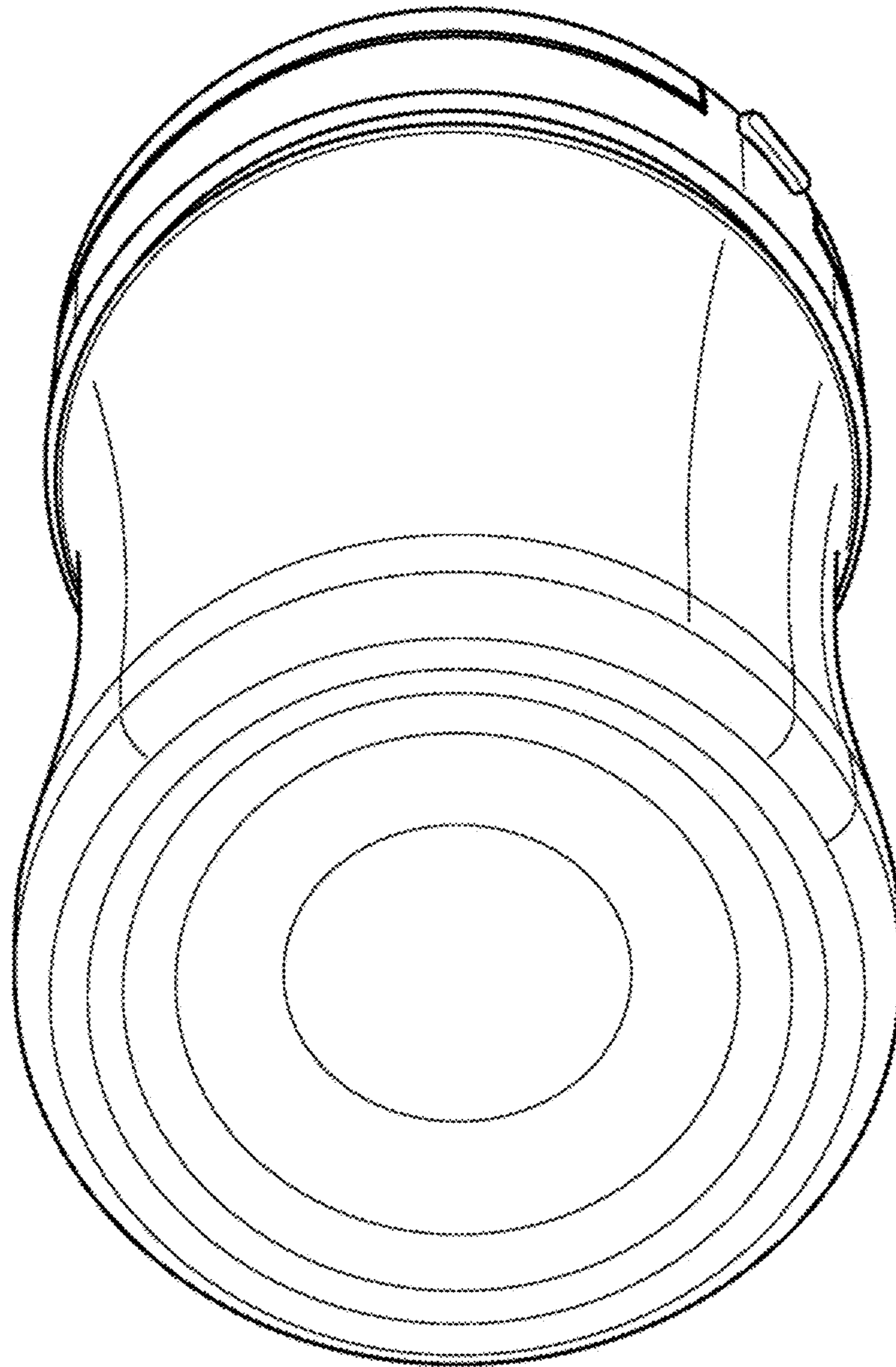


FIG. 11

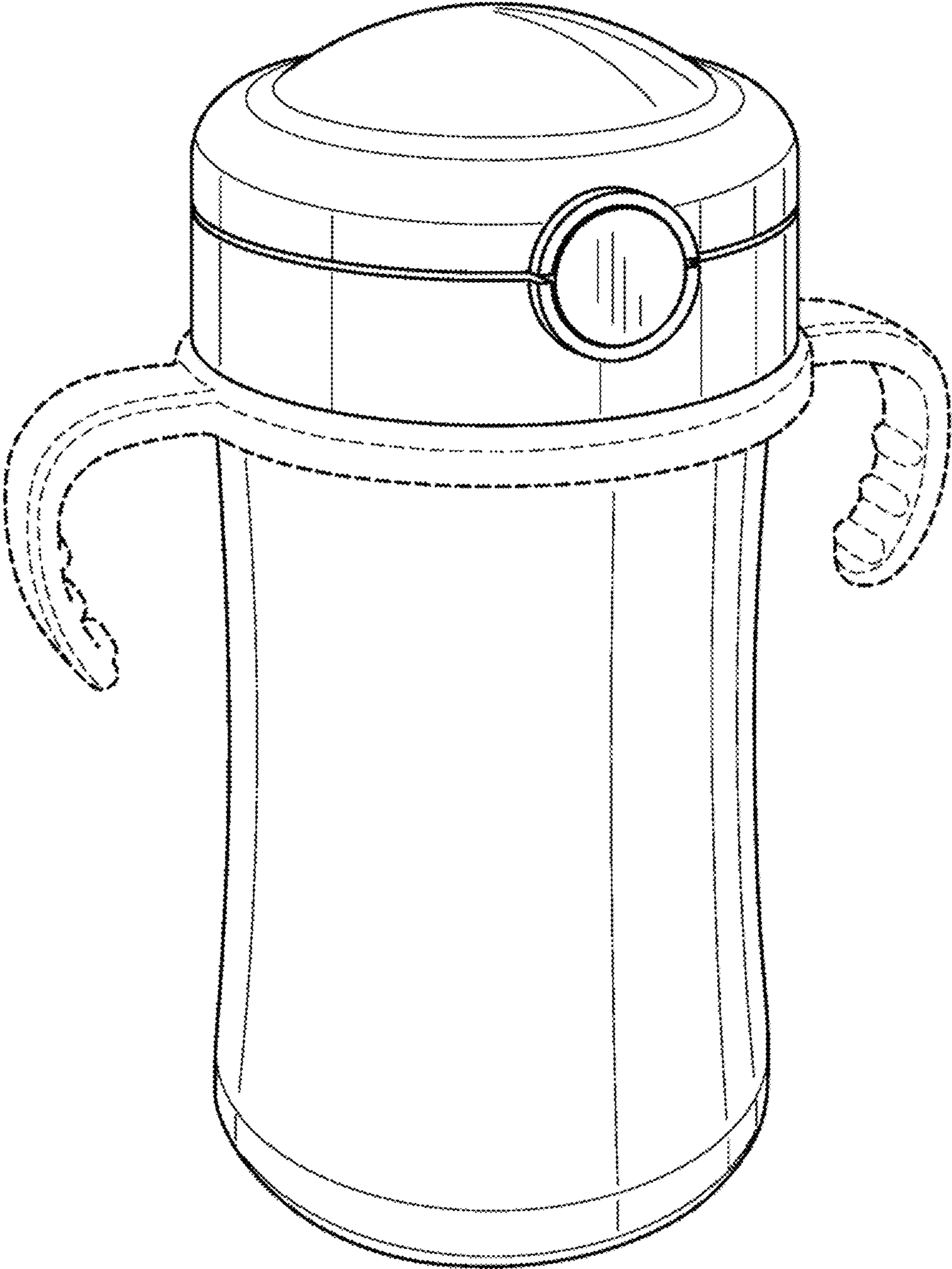


FIG. 12