



US00D891864S

(12) **United States Design Patent** (10) **Patent No.:** **US D891,864 S**
Covert et al. (45) **Date of Patent:** **** Aug. 4, 2020**

(54) **FRYER BASKET**

(71) Applicants: **Earl H. Covert**, Coral Springs, FL (US); **Misael Bonifaz**, Coral Springs, FL (US)

(72) Inventors: **Earl H. Covert**, Coral Springs, FL (US); **Misael Bonifaz**, Coral Springs, FL (US)

(**) Term: **15 Years**

(21) Appl. No.: **29/723,372**

(22) Filed: **Feb. 6, 2020**

Related U.S. Application Data

(63) Continuation of application No. 29/698,807, filed on Jul. 19, 2019, now Pat. No. Des. 876,162, which is a continuation of application No. 29/665,711, filed on Oct. 5, 2018, now Pat. No. Des. 876,161.

(51) **LOC (12) Cl.** **07-02**

(52) **U.S. Cl.**
USPC **D7/409**; D7/354; D7/361

(58) **Field of Classification Search**
USPC D7/323, 332, 335-337, 354-356, D7/359-364, 387-388, 402, 407-409
CPC A21B 2/00; A21B 3/00; A21B 3/13; A21B 3/15; A21B 5/00; A21B 5/02; A23L 3/365; A23N 12/06; A23N 12/08; A23N 12/10; A47J 37/00; A47J 37/04; A47J 37/041; A47J 37/042; A47J 37/06; A47J 37/0688; A47J 37/0694; A47J 37/07; A47J 37/0704; A47J 37/10; A47J 37/1295; A47J 47/20; A47J 2037/00; A47J 2037/06; A47J 2037/0611; A47J 2037/07; A47J 2037/0786; A47J 2037/0795; F24C 15/10; F24C 15/12; F24C 15/14; F24C 15/16; F24C 15/164; F24C 15/18

See application file for complete search history.

(56) **References Cited**

U.S. PATENT DOCUMENTS

4,542,685	A *	9/1985	Wilson	A47J 37/1295 426/438
5,146,843	A *	9/1992	Fuller	A23L 3/365 366/137
5,992,306	A *	11/1999	Chiang	A47J 37/1295 210/464
D694,058	S *	11/2013	Difante	D7/354
D702,084	S *	4/2014	Matos	D7/409
D834,889	S *	12/2018	Moon	D7/409
10,470,611	B2 *	11/2019	Madanat	A47J 37/1295
D876,161	S *	2/2020	Covert	D7/409
D876,162	S *	2/2020	Covert	D7/409
2005/0268791	A1 *	12/2005	Svabek	A47J 37/1295 99/330
2007/0214968	A1 *	9/2007	Larson	A47J 37/1295 99/403
2014/0060340	A1 *	3/2014	Matos	A47J 37/1295 99/416

(Continued)

Primary Examiner — Ricky Pham

(74) *Attorney, Agent, or Firm* — Laurence A. Greenberg; Werner H. Stemer; Ralph E. Locher

(57) **CLAIM**

The ornamental design for a fryer basket, as shown and described.

DESCRIPTION

FIG. 1 is a side elevation view of a fryer basket showing our new design, it being understood that the opposite side view is a mirror image thereof

FIG. 2 is a front top perspective view thereof;

FIG. 3 is a rear perspective view thereof;

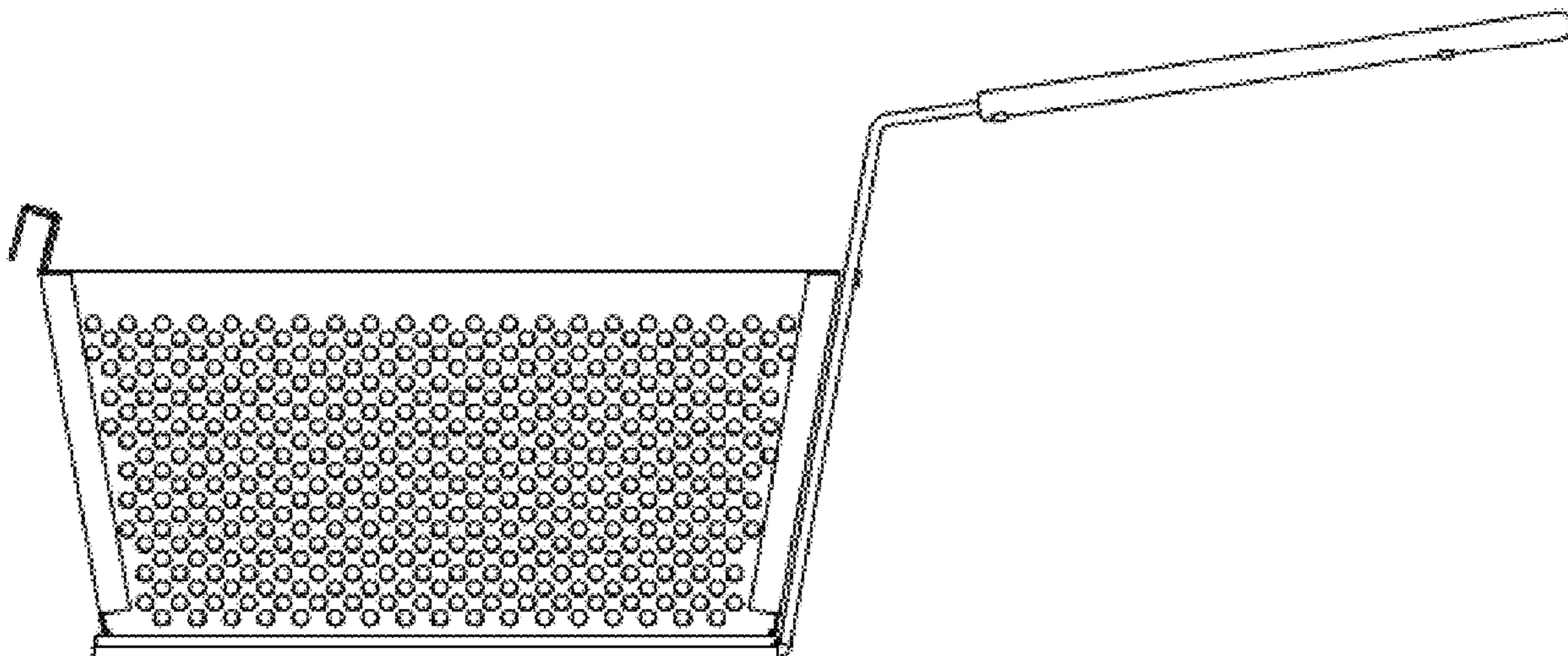
FIG. 4 is a front elevation view thereof;

FIG. 5 is a rear elevation view thereof;

FIG. 6 is a top plan view thereof; and,

FIG. 7 is a bottom view thereof.

1 Claim, 4 Drawing Sheets



(56)

References Cited

U.S. PATENT DOCUMENTS

2014/0144332 A1 * 5/2014 Svabek A47J 37/1295
99/403

* cited by examiner

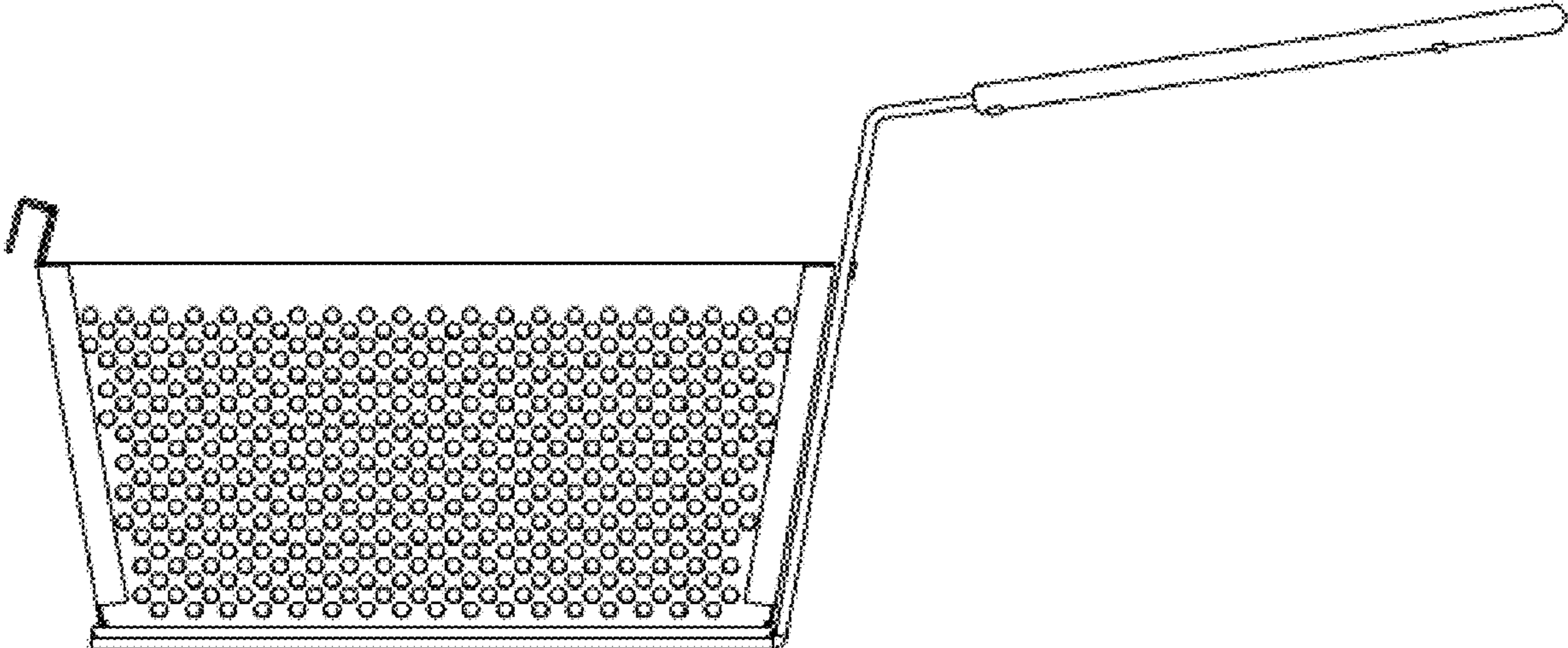


FIG. 1

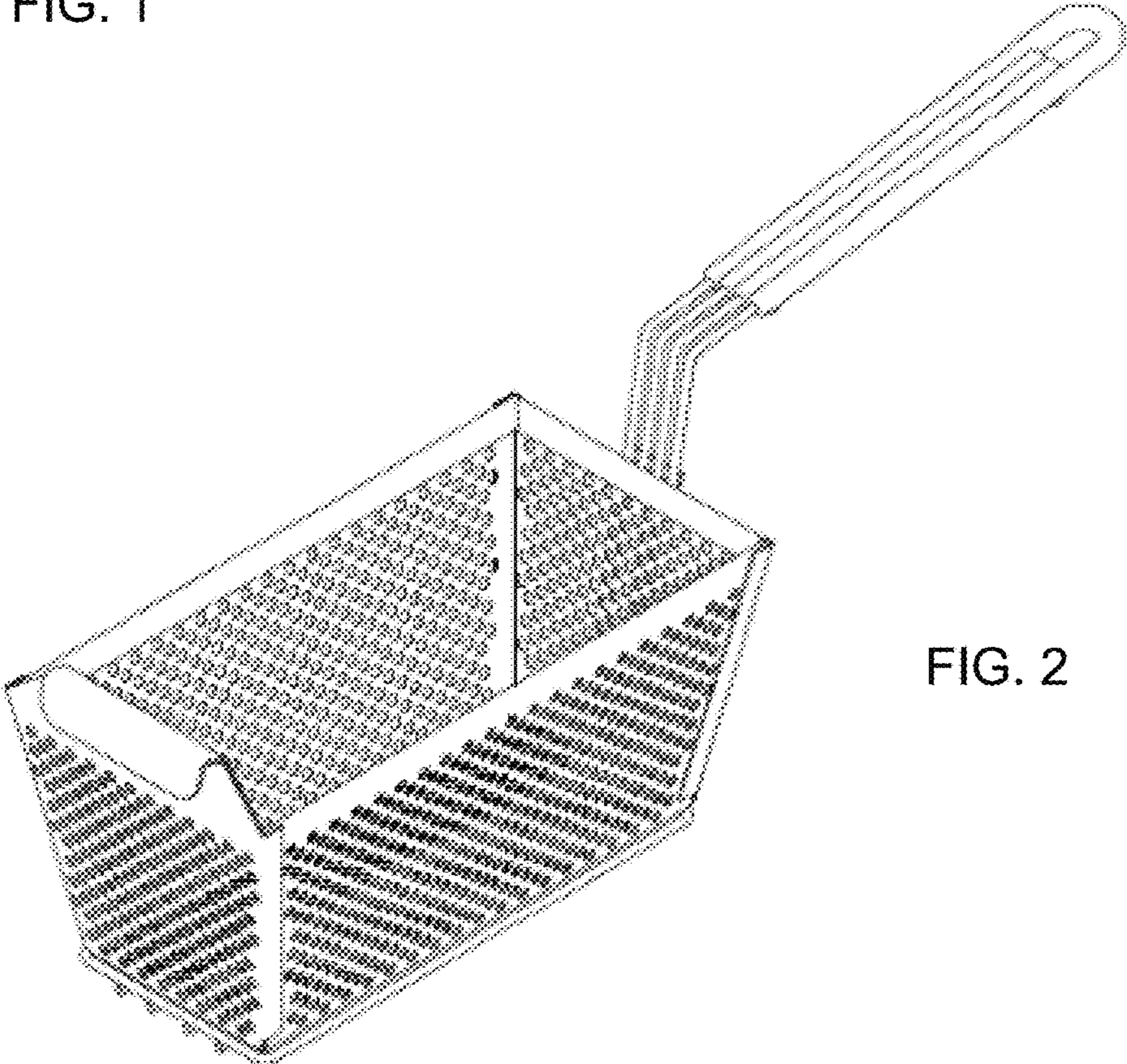


FIG. 2

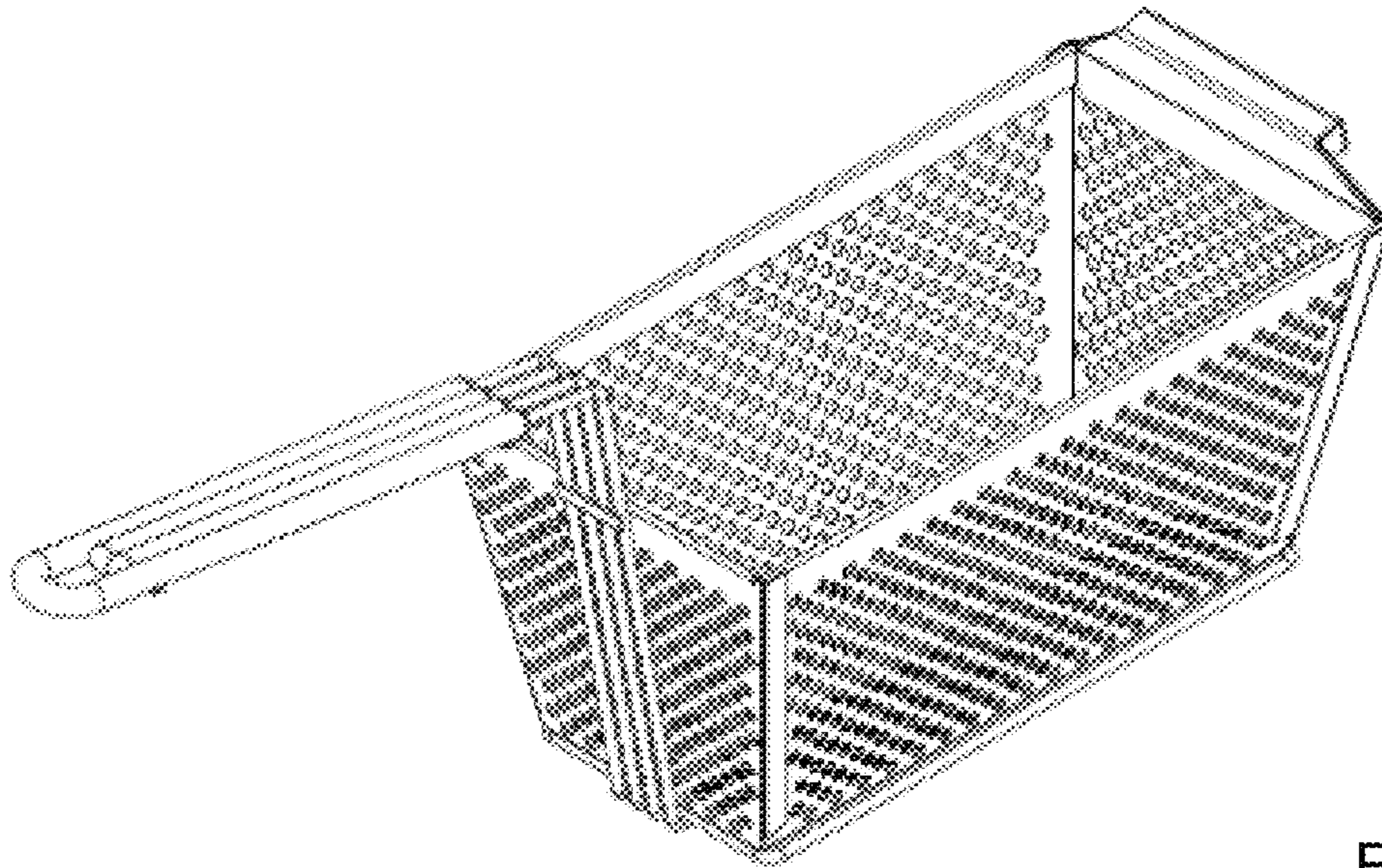


FIG. 3

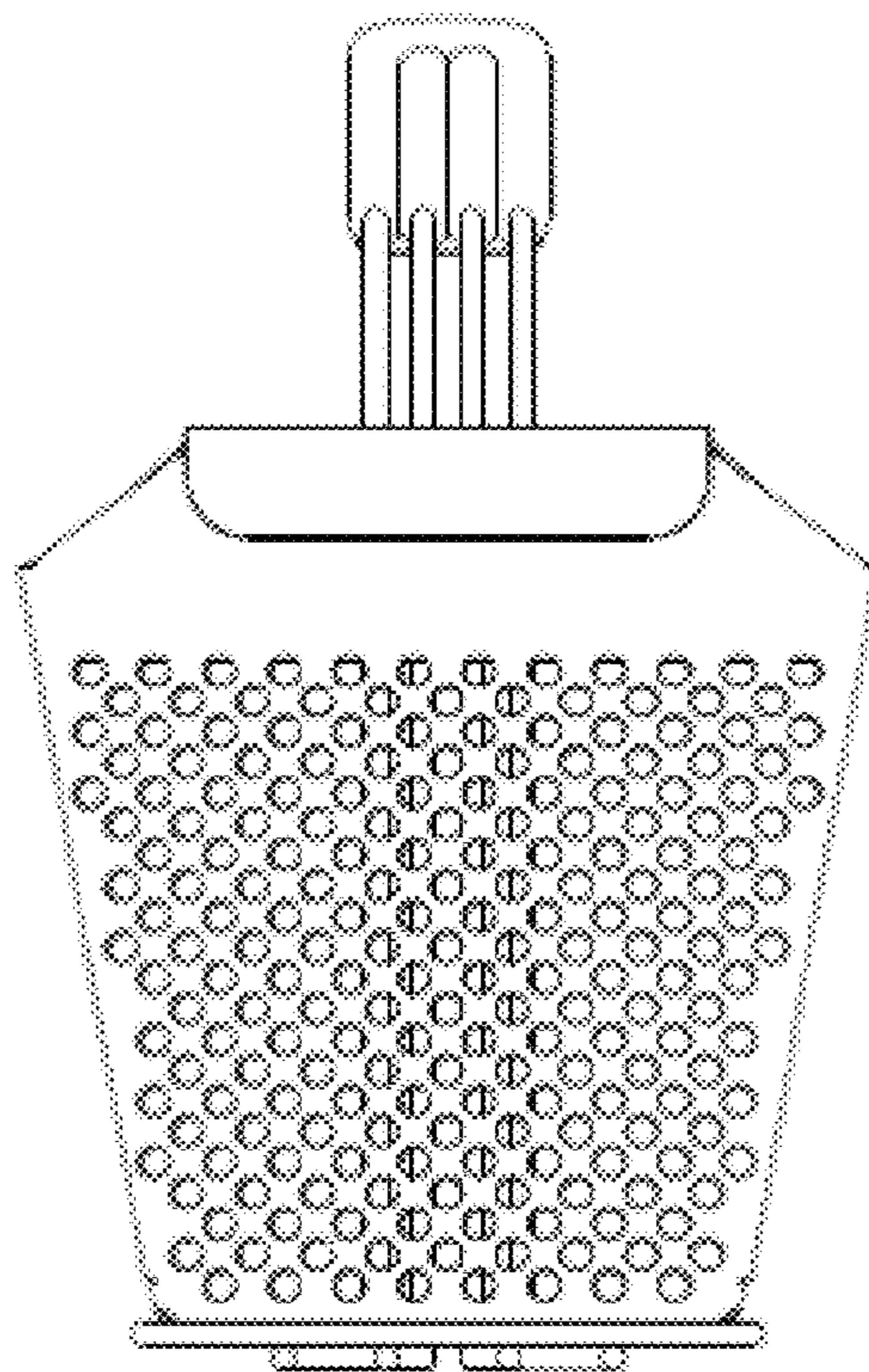


FIG. 4

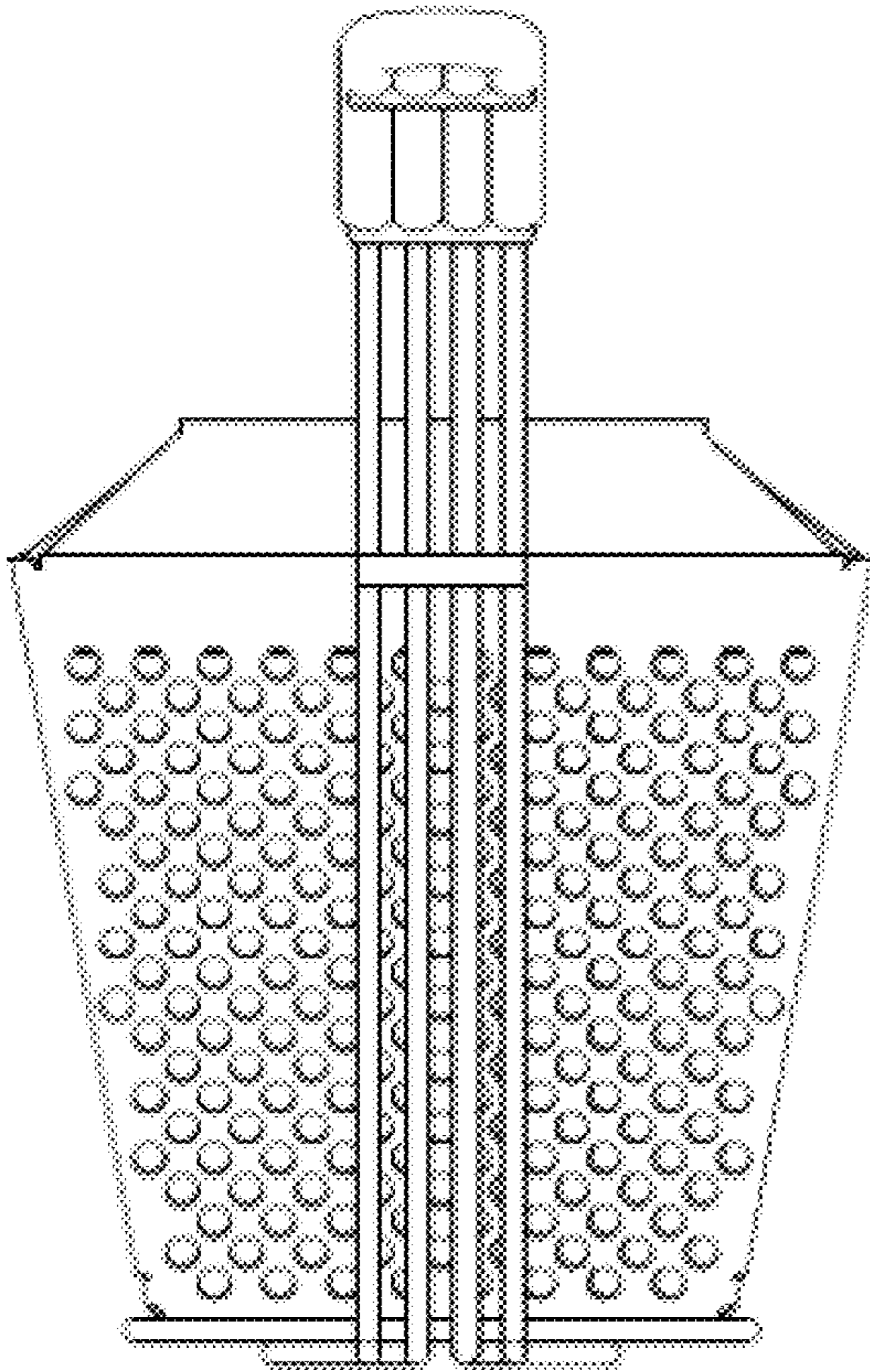


FIG. 5

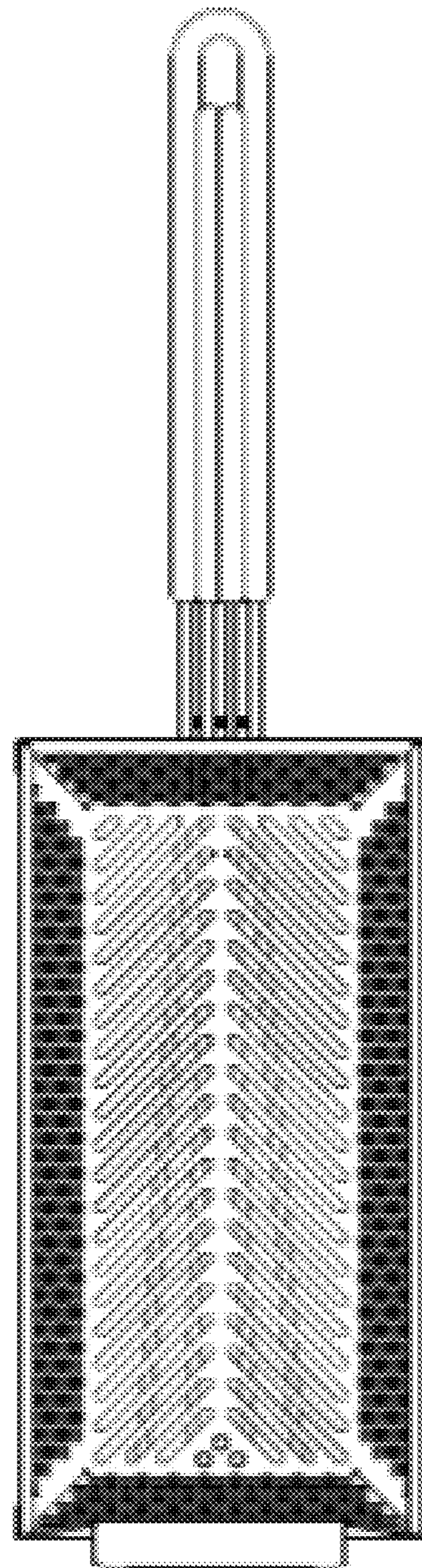


FIG. 6

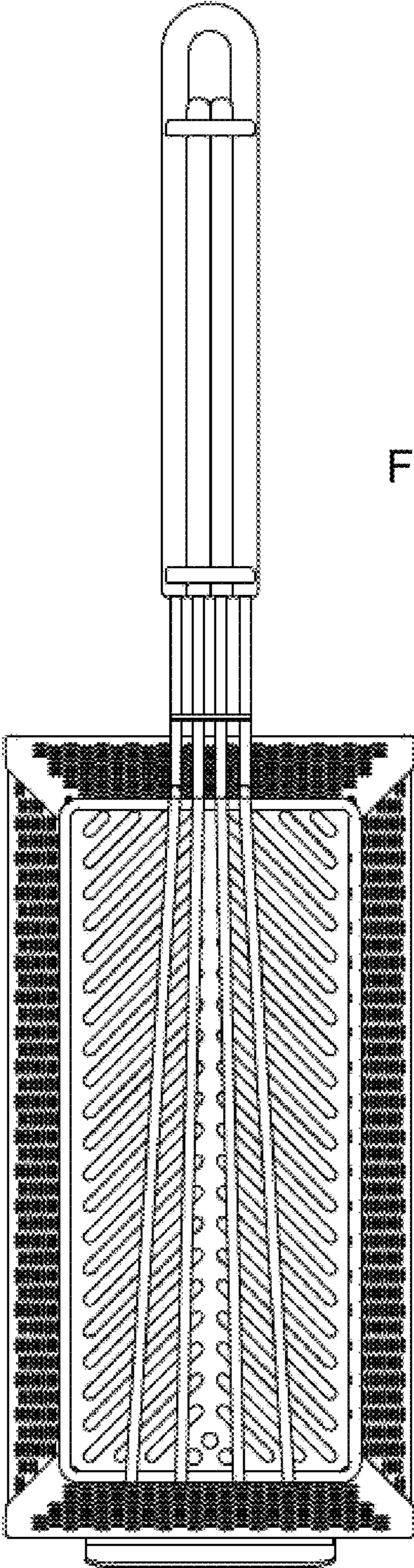


FIG. 7