



US00D891863S

(12) **United States Design Patent**
Burch

(10) **Patent No.:** **US D891,863 S**

(45) **Date of Patent:** **** Aug. 4, 2020**

(54) **GRILL GRID**

(71) Applicant: **Big Horn Outdoors, LLC**, Pelham, AL (US)

(72) Inventor: **Joe Burch**, Fortson, GA (US)

(73) Assignee: **Big Horn Outdoors, LLC**, Pelham, AL (US)

(**) Term: **15 Years**

(21) Appl. No.: **29/637,145**

(22) Filed: **Feb. 14, 2018**

(51) **LOC (12) Cl.** **07-99**

(52) **U.S. Cl.**
USPC **D7/408; D7/409**

(58) **Field of Classification Search**
USPC D7/402-409, 323, 332, 335-337,
D7/354-355, 362-366, 387, 388;
D23/261; D3/306; D24/228; D6/705.6,
D6/675.2, 566
CPC A47J 36/34; A47J 36/2405; A47J 36/24;
A47J 37/0694; A47J 37/108; B65D 7/20;
F24C 15/16
See application file for complete search history.

(56) **References Cited**

U.S. PATENT DOCUMENTS

2,634,867	A *	4/1953	Shields	F25D 25/02	211/153
2,799,426	A *	7/1957	Kaye	F25D 25/021	220/491
D204,111	S *	3/1966	Stormquist	D6/566	
5,507,398	A *	4/1996	Miller	F24C 15/16	211/153
6,578,568	B1 *	6/2003	Dufort	F24B 1/205	126/25 A
D551,884	S *	10/2007	Remmers	D6/705.6	

D627,180	S *	11/2010	McCombs	D6/705.6	
D650,226	S *	12/2011	Walker	D7/354	
8,434,629	B2 *	5/2013	Fernandez	A47B 96/067	211/103
D698,589	S *	2/2014	Troyner	D6/705.6	
D700,476	S *	3/2014	Greer	D7/409	
D859,916	S *	9/2019	Nilssen	D7/409	
2004/0112852	A1 *	6/2004	Brooks	F24C 15/16	211/153

OTHER PUBLICATIONS

Invero Oven Cooker | posted at Amazon.co.uk, posted on Feb. 25, 2016, © 1996-2020 Amazon.com, [online], [site visited Jun. 3, 2020]. Available from Internet, <URL:https://www.amazon.co.uk/Invero%C2%AE-Universal-Complete-Detachable-Suitable/dp/B01C7IHEWO/?th=1> (Year: 2016).*

(Continued)

Primary Examiner — Susan E Krakower

Assistant Examiner — Andrew Kerr

(74) *Attorney, Agent, or Firm* — Bush Intellectual Property Law; Kenneth M. Bush

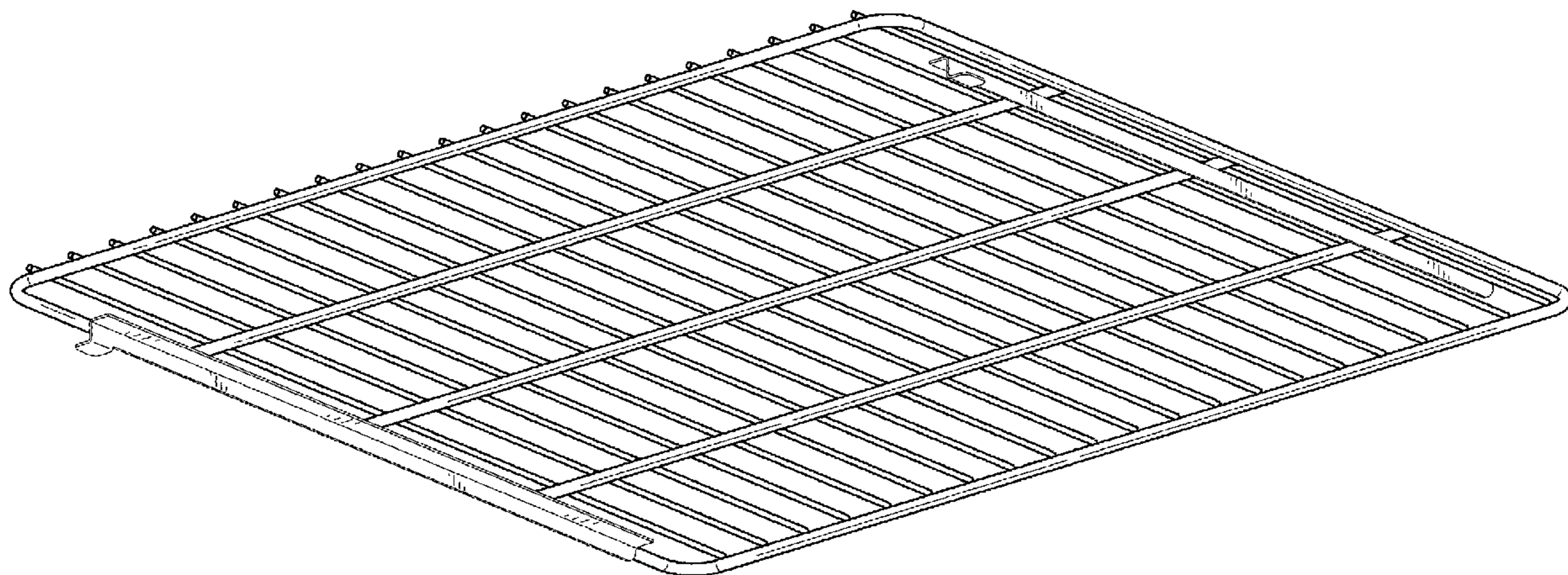
(57) **CLAIM**

I claim the ornamental design for a grill grid, as shown and described.

DESCRIPTION

FIG. 1 is a bottom perspective view of a grill grid showing my new design;
FIG. 2 is a front elevational view thereof, the rear elevational view being a mirror image of the front elevational view;
FIG. 3 is a right side elevational view thereof, the left side elevational view being a mirror image of the right side elevational view;
FIG. 4 is a top plan view thereof; and,
FIG. 5 is a bottom plan view thereof.

1 Claim, 4 Drawing Sheets



(56)

References Cited

OTHER PUBLICATIONS

60CM grill grid | posted at manomano.co.uk., no posting date, © 2020 ManoMano, [online], [site visited Jun. 3, 2020]. Available from Internet, <URL:<https://www.manomano.co.uk/p/stainless-steel-grill-grill-grill-grid-square-cast-iron-grill-grill-bbq-grill-top-square-60cm-10510764>> (Year: 2020).*

Weber Gas Tray Rails | posted at amazon.com., review date Jun. 14, 2017, © 1996-2020 Amazon.com, [online], [site visited Jun. 3, 2020]. Available from Internet, <URL:https://www.amazon.com/Weber-Bottom-Genesis-Platinum-97783/dp/B00KDNNH68/ref=cm_cr_ar_p_d_product_top?ie=UTF8> (Year: 2017).*

* cited by examiner

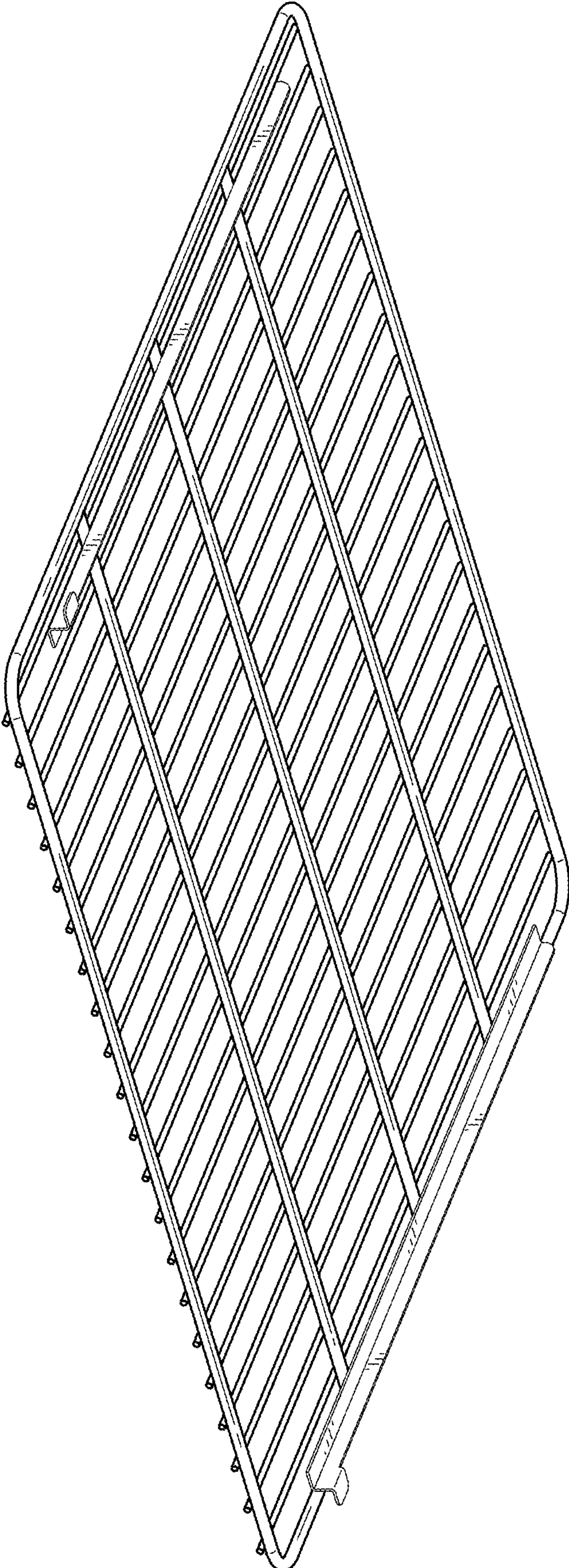


FIG. 1

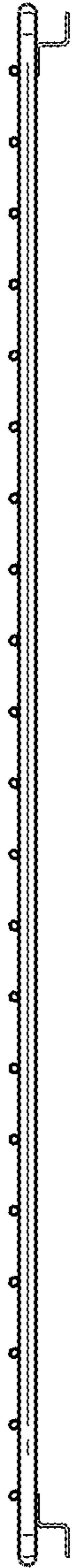


FIG. 2



FIG. 3

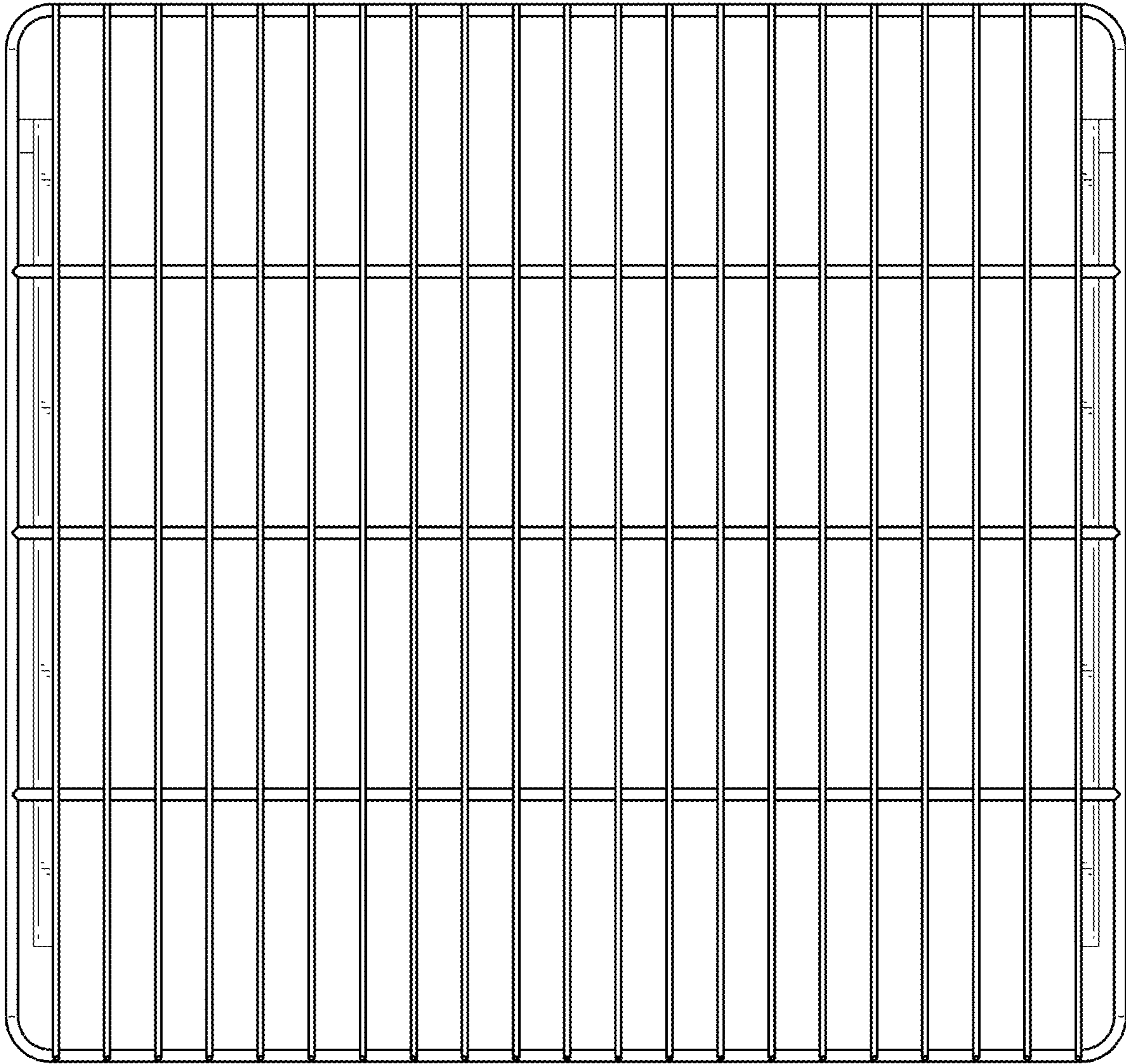


FIG. 4

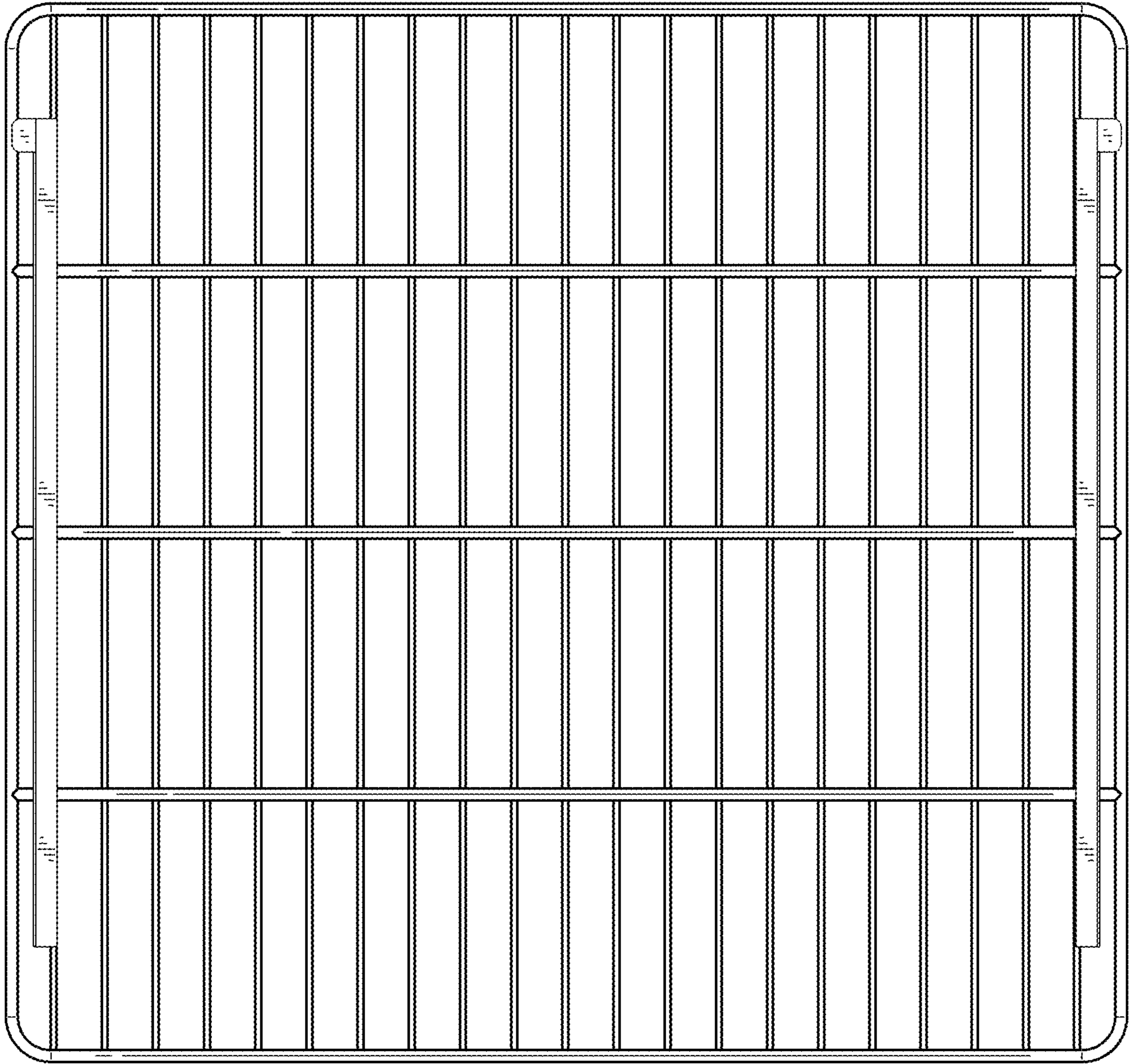


FIG. 5