



US00D891862S

(12) **United States Design Patent** (10) **Patent No.:** **US D891,862 S**
McConnell et al. (45) **Date of Patent:** **** Aug. 4, 2020**

(54) **FOOD PROCESSING ATTACHMENT**

B02C 2013/1864; B26D 3/11; B26D 3/185; B30B 9/00; B30B 9/16; B30B 9/18; B30B 9/20; B30B 9/26; B30B 9/205; B30B 9/207

(71) Applicant: **WHIRLPOOL CORPORATION**,
Benton Harbor, MI (US)

See application file for complete search history.

(72) Inventors: **John W. McConnell**, St. Joseph, MI (US); **Wenkai Wu**, Aurora, IL (US)

(56) **References Cited**

(73) Assignee: **Whirlpool Corporation**, Benton Harbor, MI (US)

U.S. PATENT DOCUMENTS

(**) Term: **15 Years**

242,660 A 6/1881 Law
256,214 A 4/1882 Heizmann
292,554 A 1/1884 Geer
(Continued)

(21) Appl. No.: **29/713,992**

Primary Examiner — Ricky Pham

(22) Filed: **Nov. 20, 2019**

(74) *Attorney, Agent, or Firm* — Price Heneveld LLP

Related U.S. Application Data

(57) **CLAIM**

(63) Continuation of application No. 29/698,967, filed on Jul. 22, 2019, now Pat. No. Des. 874,219, which is a continuation of application No. 29/663,694, filed on Sep. 18, 2018, now Pat. No. Des. 861,425, which is (Continued)

We claim the ornamental design for a food processing attachment, as shown and described.

DESCRIPTION

(51) **LOC (12) Cl.** **31-00**

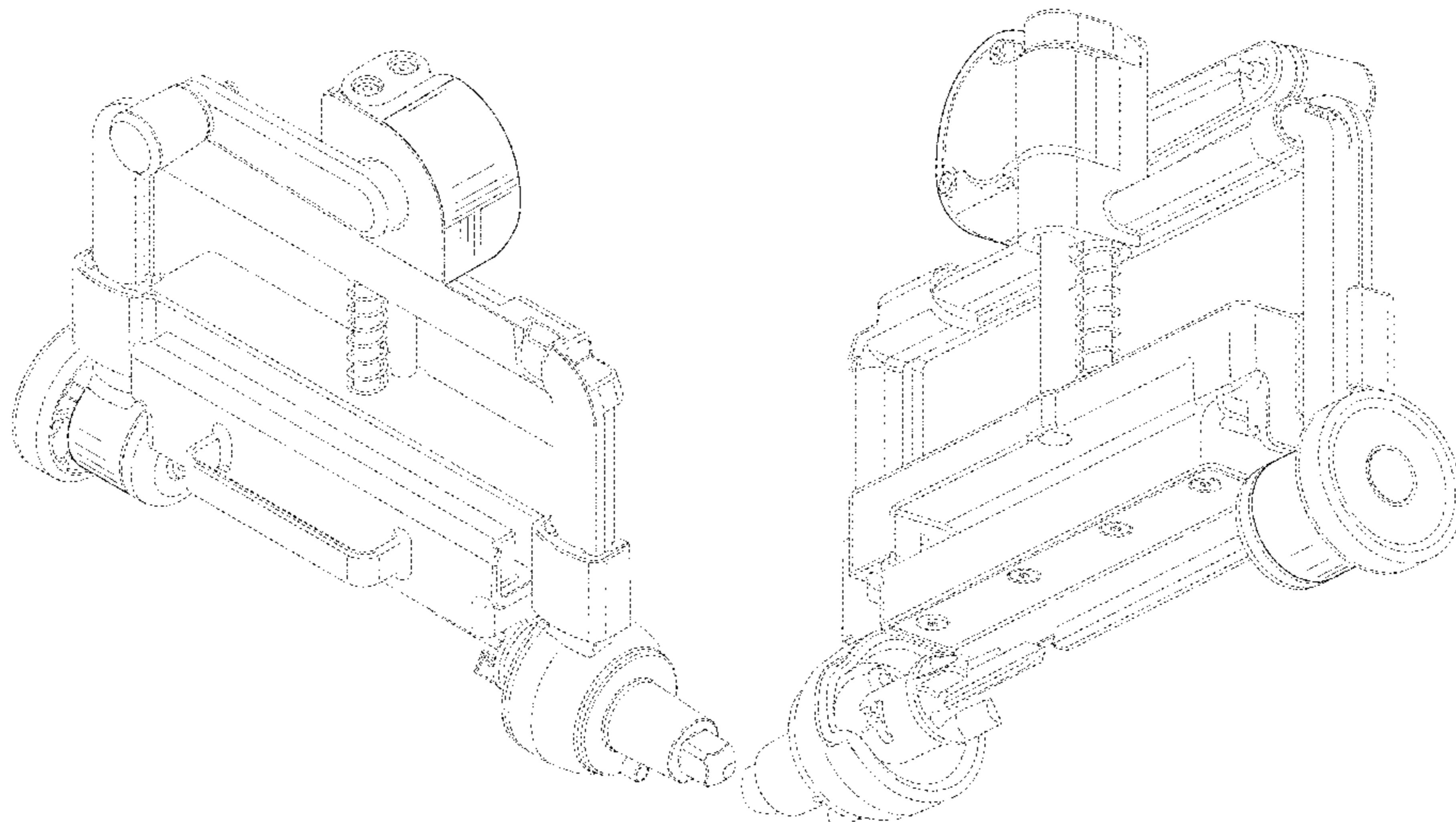
(52) **U.S. Cl.**
USPC **D7/401.2; D7/381**

(58) **Field of Classification Search**
USPC D7/372, 376–386, 401.2, 665–666, 669, D7/678–679, 693–694

CPC A01F 2015/07; A01F 2015/077; A01F 2015/0775; A23N 1/00; A23N 1/02; A47J 17/16; A47J 19/00; A47J 19/005; A47J 19/02; A47J 19/025; A47J 19/04; A47J 19/06; A47J 42/32; A47J 42/34; A47J 42/36; A47J 43/044; A47J 43/25; A47J 43/255; B01F 7/26; B01F 7/28; B01F 11/0082; B01F 13/04; B02C 13/00; B02C 13/02; B02C 13/10; B02C 18/06; B02C 18/26; B02C 18/30; B02C 18/301–302; B02C 18/304; B02C 18/305; B02C 25/00; B02C 2002/00; B02C 2013/00; B02C 2013/14; B02C 2013/145; B02C 2013/18; B02C 2013/1807; B02C 2013/1857;

FIG. 1 is a top perspective view of the food processing attachment of the present invention;
FIG. 2 is bottom perspective view of the food processing attachment of the present invention;
FIG. 3 is a first side elevation view of the food processing attachment of the present invention;
FIG. 4 is a second side elevation view of the food processing attachment of the present invention;
FIG. 5 is a third side elevation view of the food processing attachment of the present invention;
FIG. 6 is a fourth side elevation view of the food processing attachment of the present invention;
FIG. 7 is a top plan view of the food processing attachment of the present invention; and,
FIG. 8 is a bottom plan view of the food processing attachment of the present invention.
The broken lines in the figures are for contextual purposes or show the environment and form no part of the claimed design.

1 Claim, 7 Drawing Sheets



Related U.S. Application Data

a continuation of application No. 29/589,335, filed on Dec. 30, 2016, now Pat. No. Des. 831,421.

(56)

References Cited

U.S. PATENT DOCUMENTS

303,490 A * 8/1884 Clark A47J 17/16
99/595

310,196 A 1/1885 Goodell

315,158 A * 4/1885 Oaks A47J 17/16
99/598

430,139 A 6/1890 Meyer

633,932 A 9/1899 Williamson

954,340 A 4/1910 Phillips

959,137 A 5/1910 Hinchliffe

1,008,555 A 11/1911 Mower

1,511,137 A 10/1924 Pichler

1,956,492 A 4/1934 China

1,966,186 A 7/1934 Remnsnider

2,056,843 A 10/1936 Erro

2,307,829 A 1/1943 Ellis

2,361,241 A 10/1944 Rogers

2,375,489 A 5/1945 Oskow

2,410,683 A 11/1946 Marquez

2,464,993 A * 3/1949 Ross B26D 3/11
82/173

2,489,581 A 11/1949 Mason

2,508,868 A 5/1950 Ross

2,566,568 A 9/1951 Ives

2,693,210 A 11/1954 Gustafson

3,091,269 A * 5/1963 Burns B26D 3/185
83/166

3,881,406 A 5/1975 Perez

3,952,621 A 4/1976 Chambos

4,038,915 A 8/1977 Saito

4,579,028 A 4/1986 Neidhardt

5,557,998 A 9/1996 Schwartz et al.

5,690,022 A 11/1997 Chai

5,950,528 A 9/1999 Wang

D414,983 S 10/1999 Wong

6,053,098 A 4/2000 Yamamoto

6,314,849 B1 11/2001 Arrasmith

6,516,713 B1 2/2003 Holmander

6,523,464 B1 2/2003 Widelo

6,854,383 B2 2/2005 Wang

7,032,491 B2 4/2006 Fischer

D669,324 S 10/2012 Bodum

8,596,176 B1 12/2013 Wagner

D773,894 S 12/2016 Benoit et al.

D779,294 S * 2/2017 Friedman D7/693

D793,181 S 8/2017 Wong

9,731,428 B2 8/2017 Levine et al.

D796,917 S * 9/2017 Wong D7/381

D797,495 S 9/2017 McConnell et al.

D809,881 S * 2/2018 Exley D7/693

10,021,904 B1 7/2018 Fikes

D830,140 S * 10/2018 Chen D7/693

D831,421 S 10/2018 McConnell et al.

10,183,409 B2 1/2019 Bagley et al.

D842,024 S 3/2019 Li

D858,223 S * 9/2019 Feng D7/693

D861,425 S * 10/2019 McConnell D7/401.2

D874,219 S * 2/2020 McConnell D7/401.2

2004/0261634 A1 12/2004 Wang

2008/0314262 A1 12/2008 Stark

2012/0090480 A1 4/2012 Caspar et al.

2016/0250768 A1 * 9/2016 Levine B26D 3/11
83/52

2016/0257013 A1 * 9/2016 Exley B26D 3/11

* cited by examiner

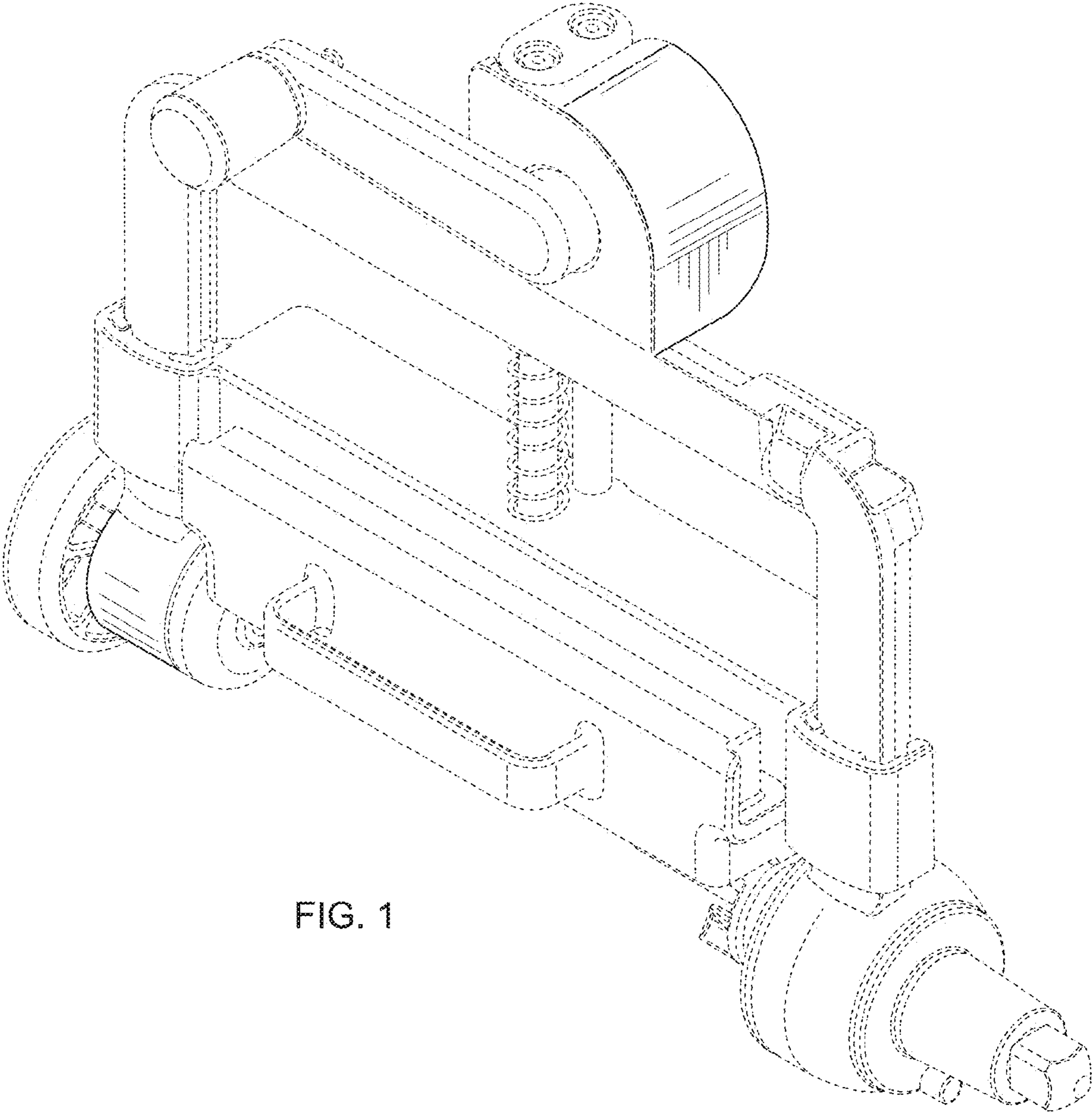


FIG. 1

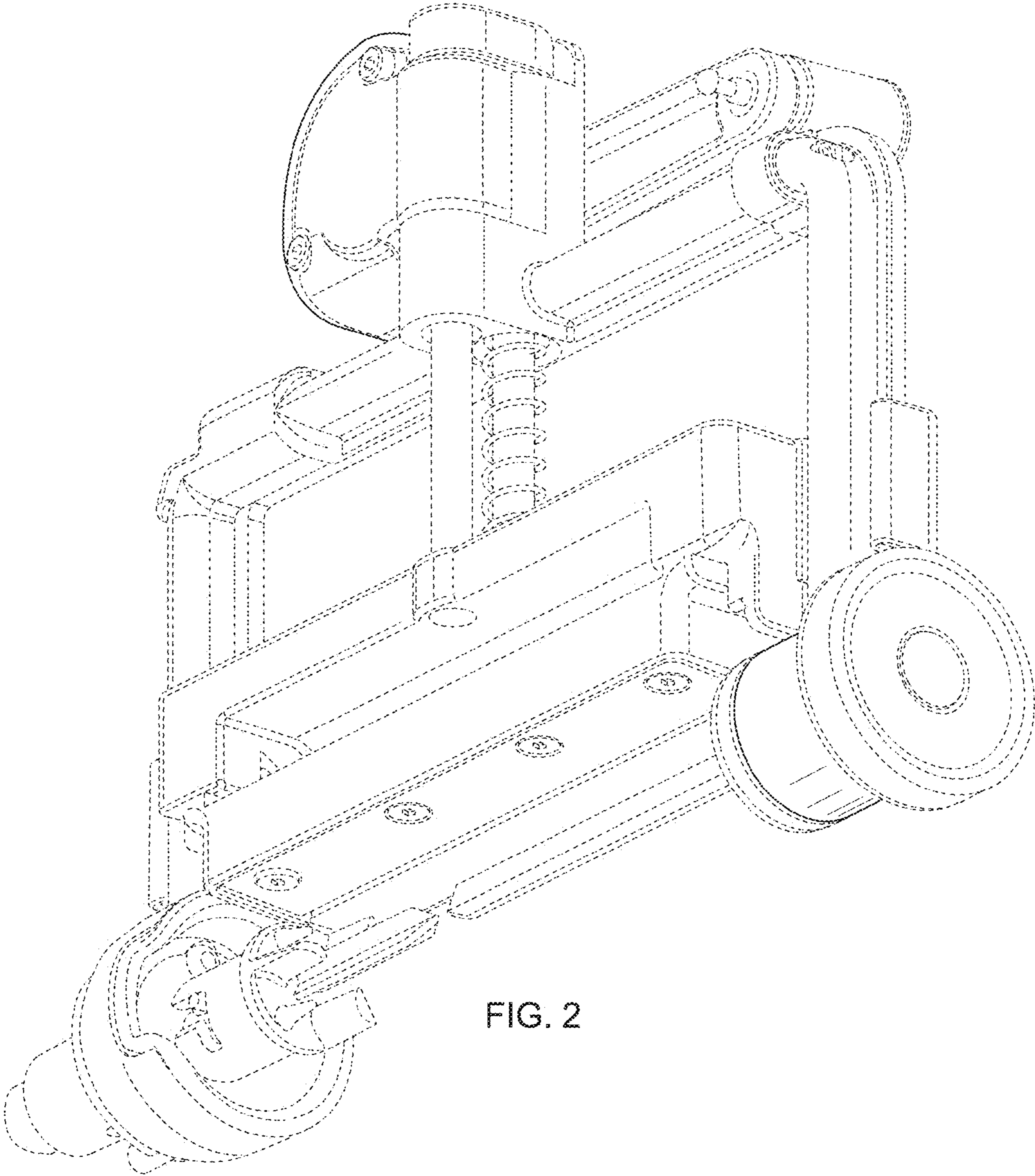


FIG. 2

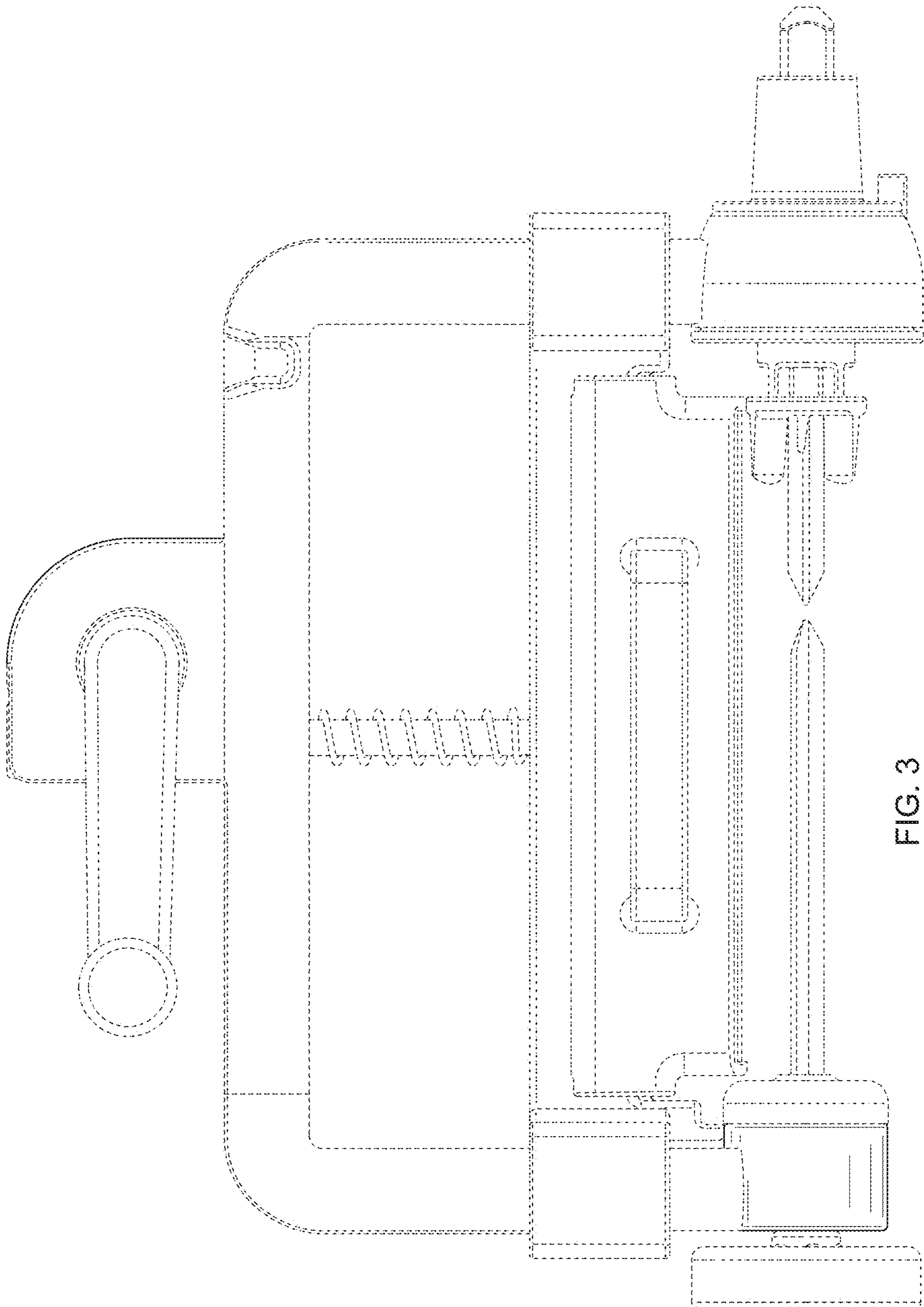


FIG. 3

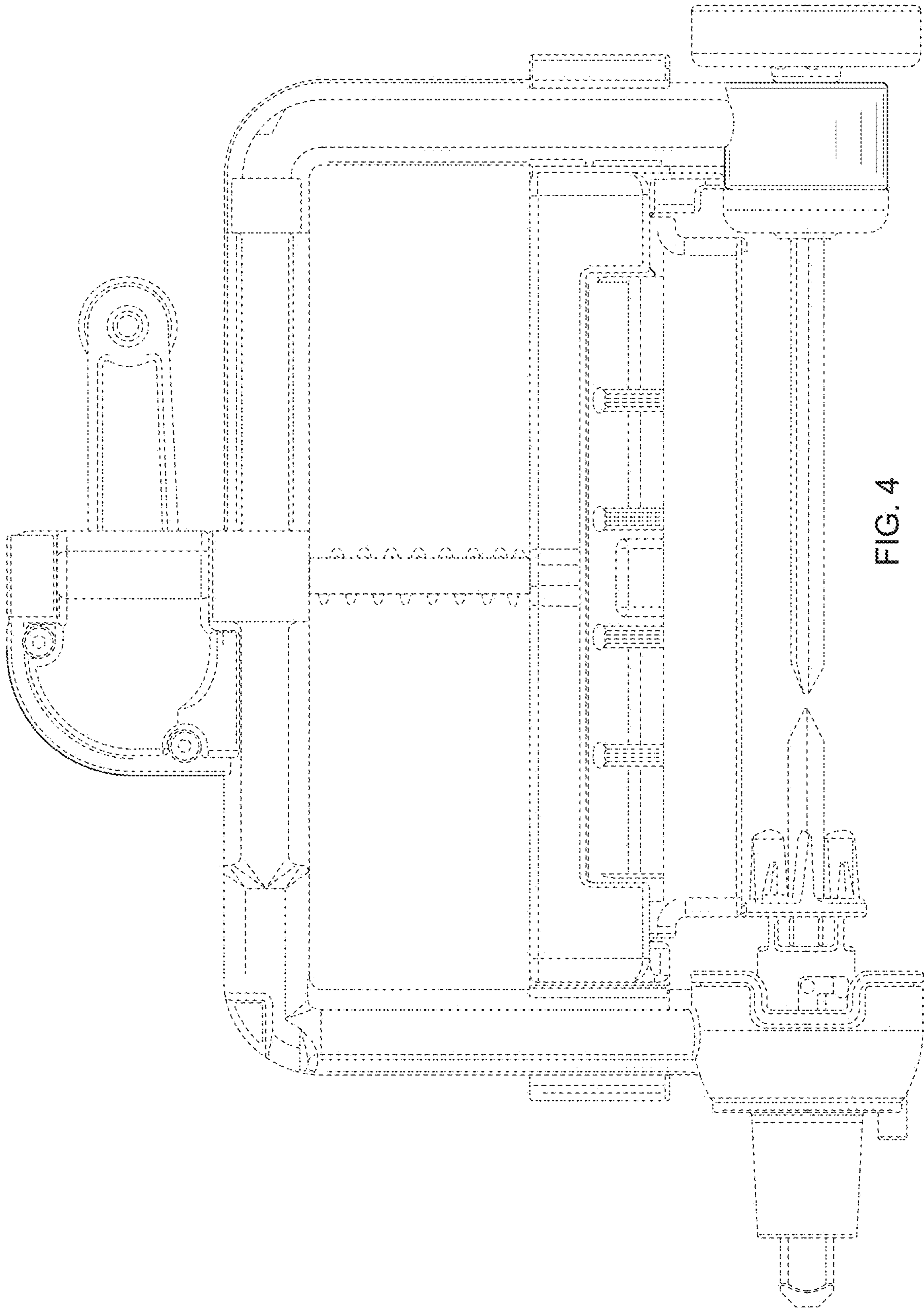


FIG. 4

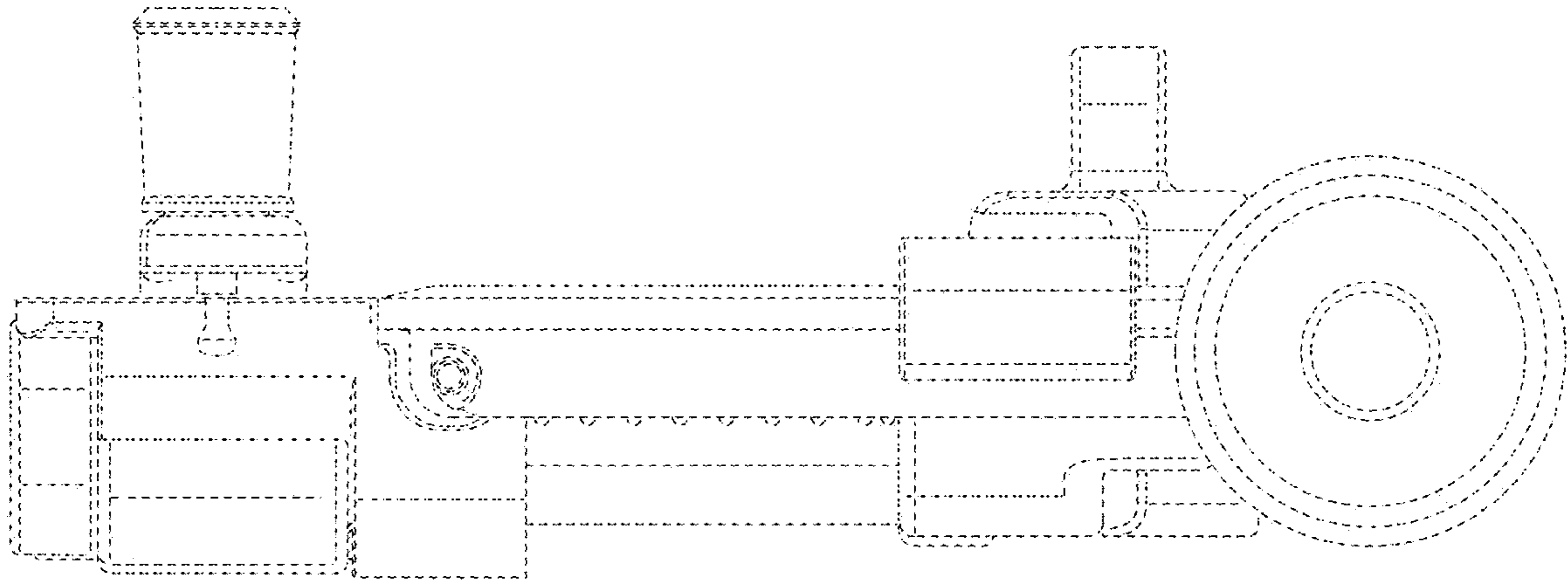


FIG. 6

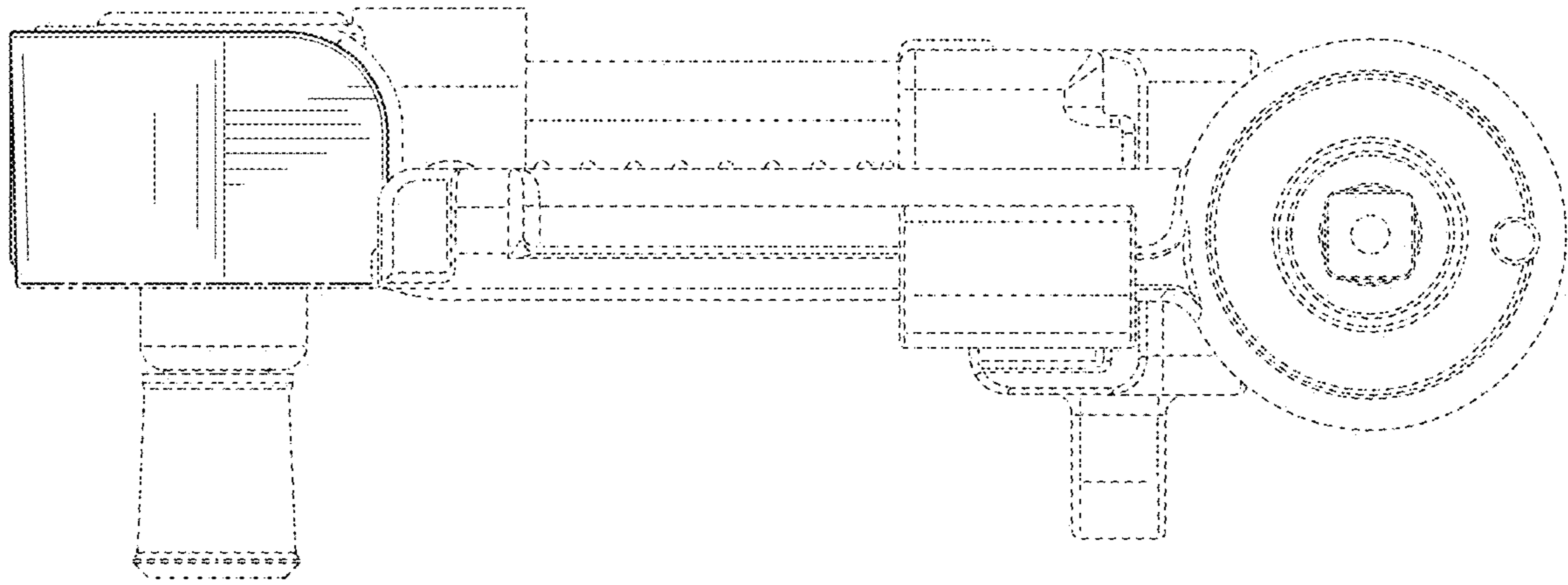


FIG. 5

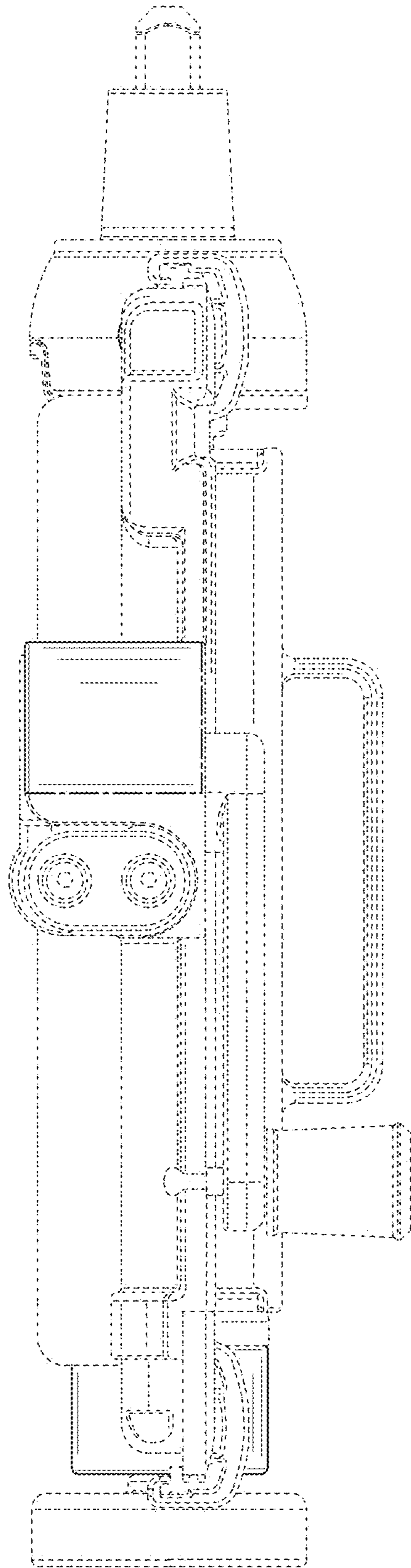


FIG. 7

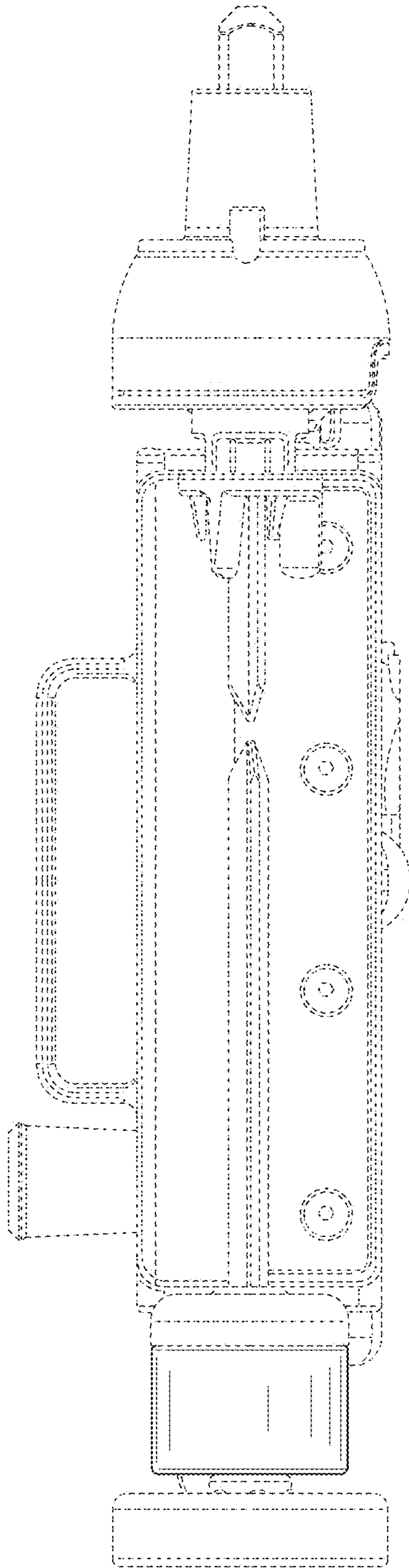


FIG. 8