



US00D891861S

(12) **United States Design Patent** (10) **Patent No.:** **US D891,861 S**
Hines et al. (45) **Date of Patent:** **** Aug. 4, 2020**

- (54) **BEVERAGE DISPENSER**
- (71) Applicant: **Coravin, Inc.**, Burlington, MA (US)
- (72) Inventors: **Benjamin Hines**, Cranston, RI (US);
Steffen F. Koury, Nahant, MA (US);
Paul K. Metaxatos, Swampscott, MA (US)
- (73) Assignee: **Coravin, Inc.**, Bedford, MA (US)
- (**) Term: **15 Years**
- (21) Appl. No.: **29/662,077**
- (22) Filed: **Aug. 31, 2018**
- (51) **LOC (12) Cl.** **07-99**
- (52) **U.S. Cl.**
USPC **D7/397; D7/300; D7/665**
- (58) **Field of Classification Search**
USPC D7/397-401, 309-311, 306, 605, 392.1,
D7/396.2, 316-319, 300, 665, 312, 313;
D8/42; D9/447, 448
CPC B67D 1/0412
See application file for complete search history.

- D769,064 S * 10/2016 Crowell D7/398
- D778,125 S 2/2017 Metaxatos et al.
- D792,729 S * 7/2017 Adewuyi D7/306
- D795,026 S * 8/2017 Fouquet D7/665
- D801,129 S 10/2017 Metaxatos et al.
- D816,497 S * 5/2018 Bramwell D9/448
- D817,733 S * 5/2018 Ma D8/42
- 2014/0183227 A1 * 7/2014 Barnini B67D 1/0412
222/152

(Continued)

OTHER PUBLICATIONS

U.S. Appl. No. 29/662,079, filed Aug. 31, 2018, Hines et al.

(Continued)

Primary Examiner — Brett Miller

(74) *Attorney, Agent, or Firm* — Wolf, Greenfield & Sacks, P.C.

(57) **CLAIM**

The ornamental design for a beverage dispenser, as shown and described.

DESCRIPTION

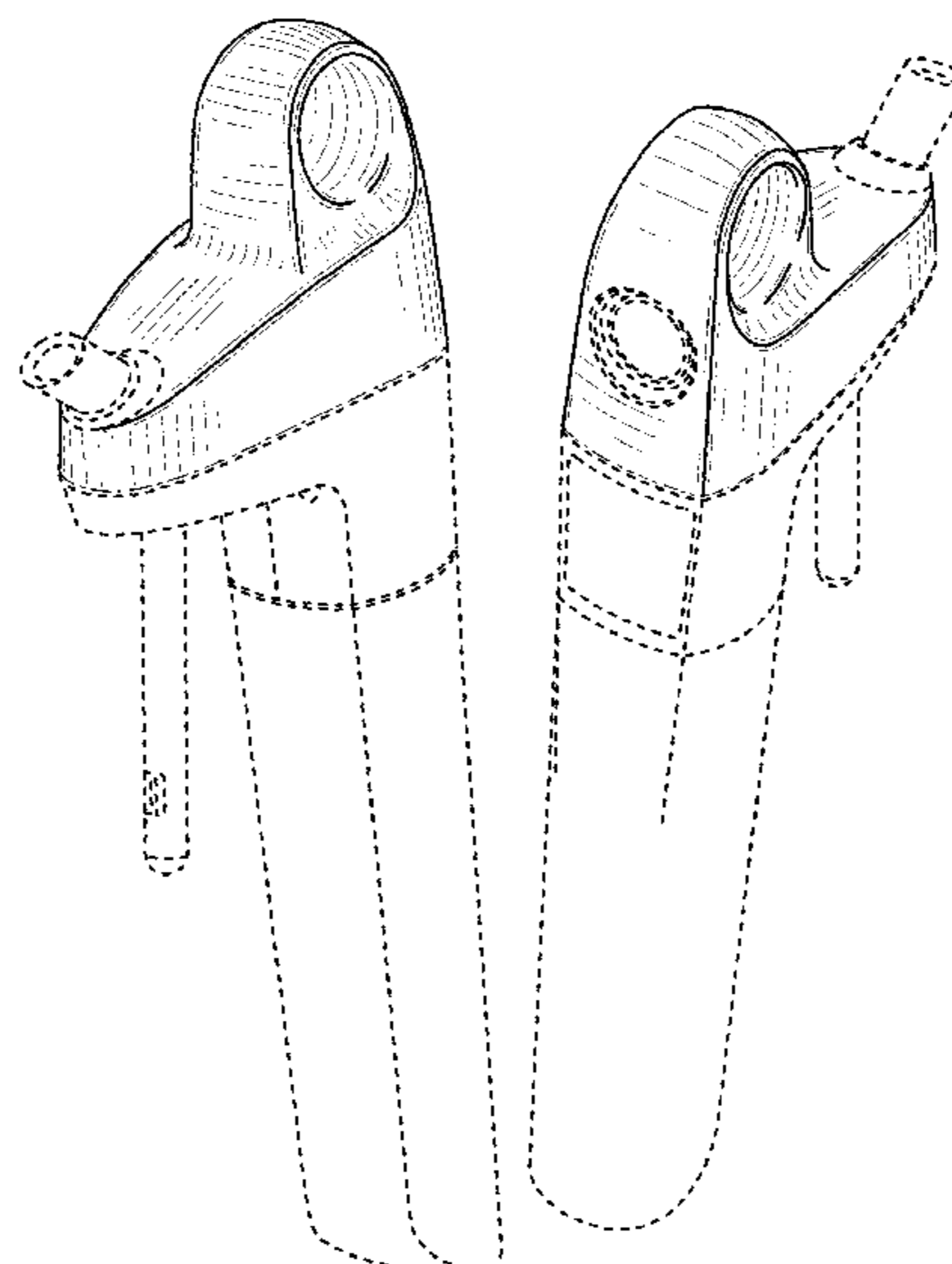
FIG. 1 is a top, front, right side perspective view of a beverage dispenser showing our new design;
 FIG. 2 is a front elevation view thereof;
 FIG. 3 is a right side elevation view thereof;
 FIG. 4 is a top plan view thereof;
 FIG. 5 is a left side elevation view thereof;
 FIG. 6 is a bottom plan view thereof;
 FIG. 7 is a rear elevation view thereof; and,
 FIG. 8 is a top, rear, left side perspective view thereof.
 The dash-dash broken lines represent portions of the beverage dispenser that form no part of the claimed design. The dot-dash broken lines define boundaries of the claimed design and form no part of the claimed design.

1 Claim, 3 Drawing Sheets

(56) **References Cited**

U.S. PATENT DOCUMENTS

- D276,788 S * 12/1984 Ravreby D8/42
- 4,674,662 A * 6/1987 Bergstrom B67D 1/0412
215/360
- D328,200 S * 7/1992 Ipsen D7/398
- D386,350 S * 11/1997 Mogadam D7/300
- D471,760 S * 3/2003 Stadermann D7/398
- D472,762 S * 4/2003 Song D7/397
- 7,712,637 B2 * 5/2010 Lambrecht B67D 1/0412
141/17
- D689,353 S 9/2013 Dockser et al.
- D706,598 S * 6/2014 Agarwal D8/42
- D717,578 S 11/2014 Lazaris et al.
- 9,010,588 B2 * 4/2015 Lambrecht B67D 1/0412
222/399
- D755,554 S 5/2016 Lazaris et al.



(56)

References Cited

U.S. PATENT DOCUMENTS

2016/0207752 A1* 7/2016 Bazoberry B67D 1/0412

OTHER PUBLICATIONS

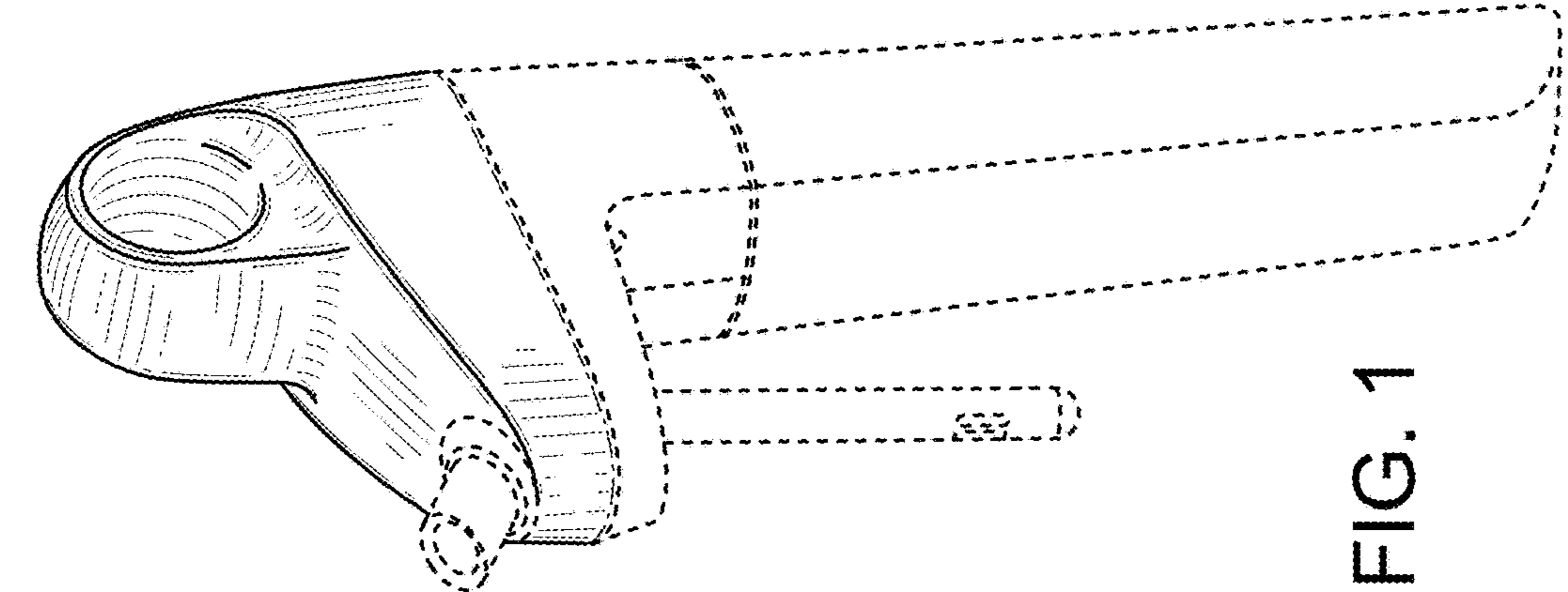
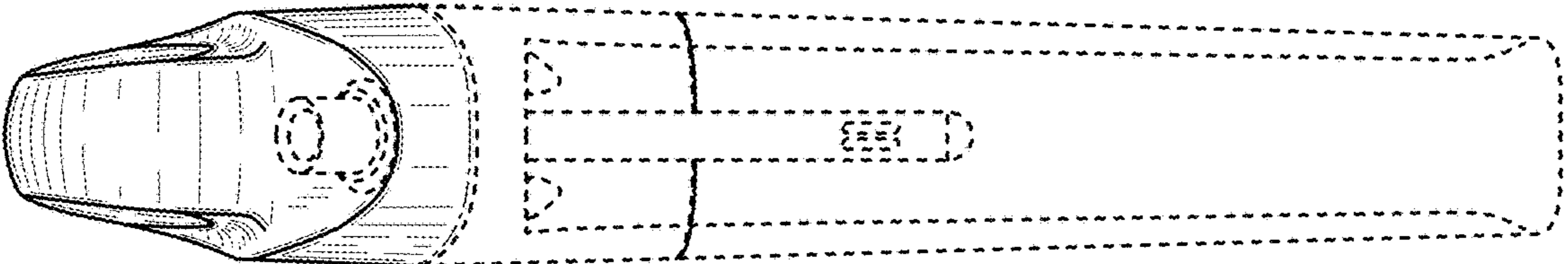
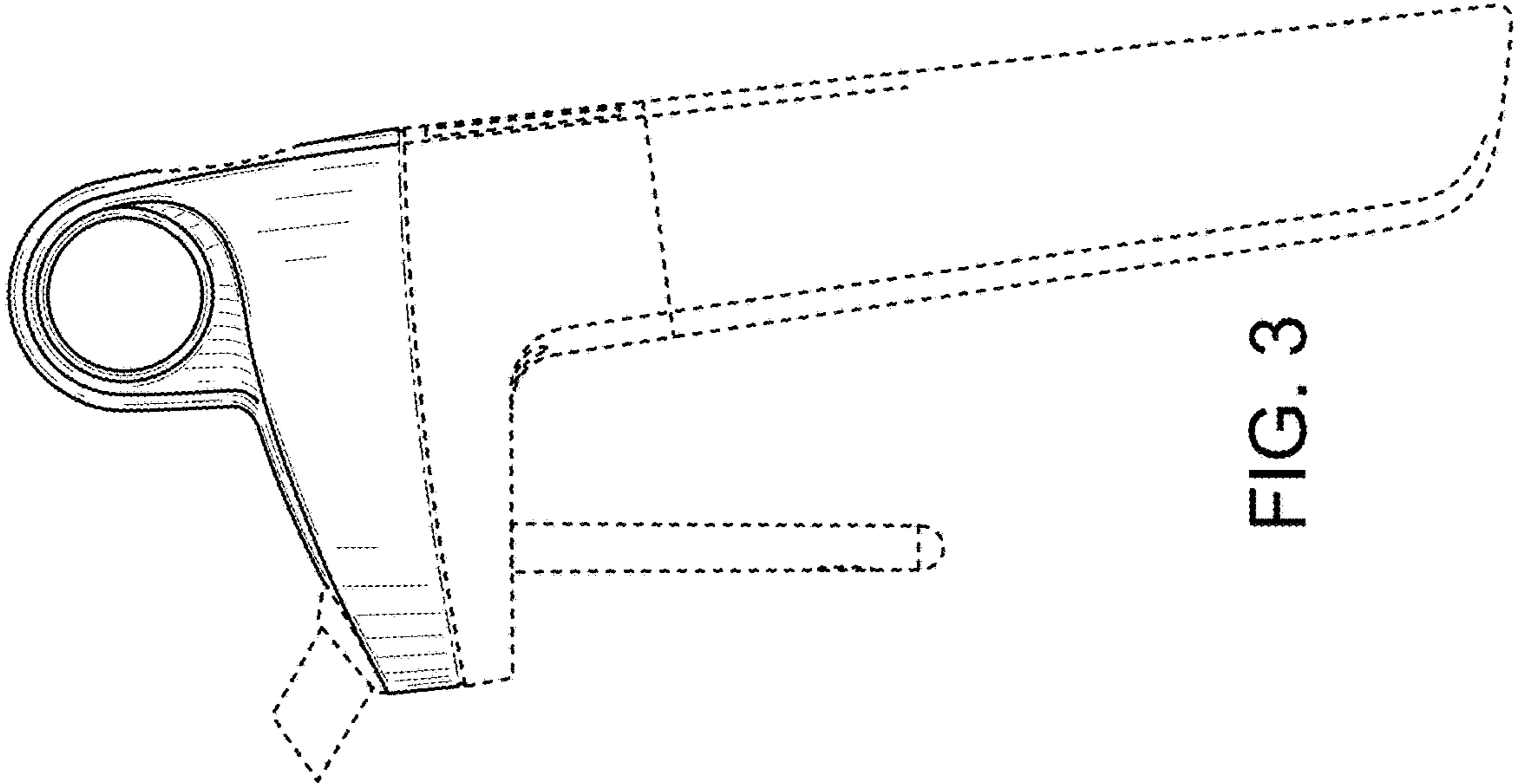
U.S. Appl. No. 29/662,078, filed Aug. 31, 2018, Hines et al.

U.S. Appl. No. 29/662,076, filed Aug. 31, 2018, Hines et al.

U.S. Appl. No. 29/664,348, filed Sep. 24, 2018, Hines et al.

U.S. Appl. No. 29/664,349, filed Sep. 24, 2018, Hines et al.

* cited by examiner



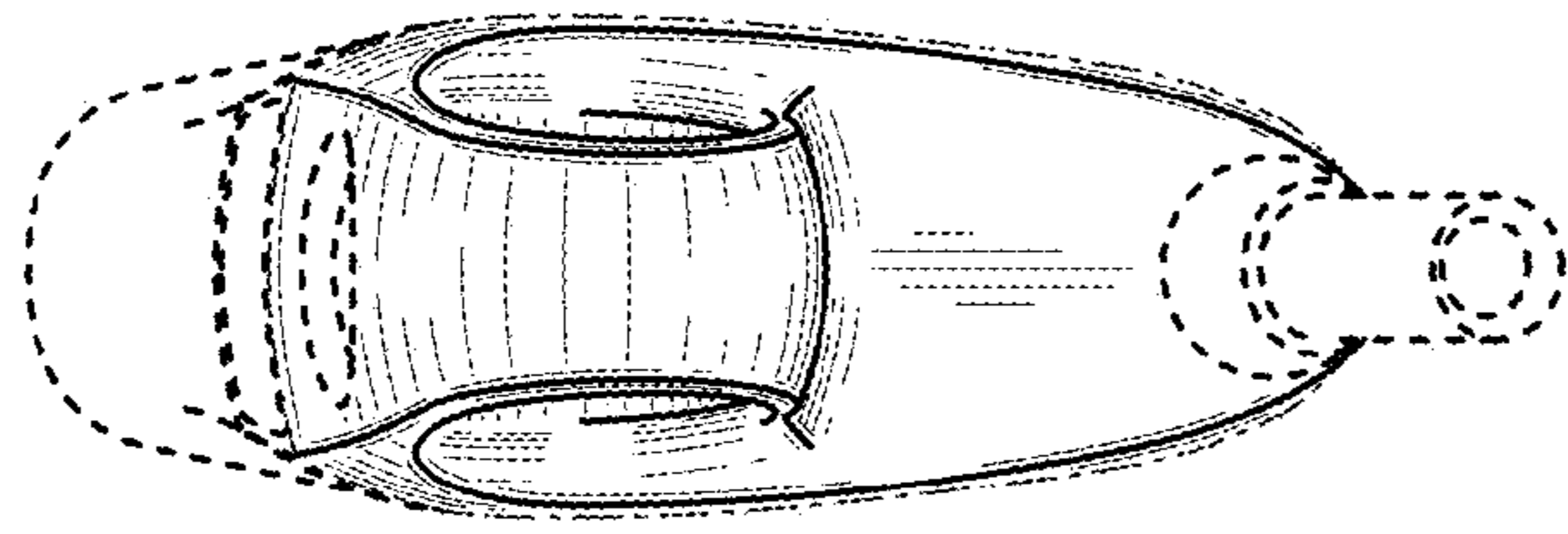


FIG. 4

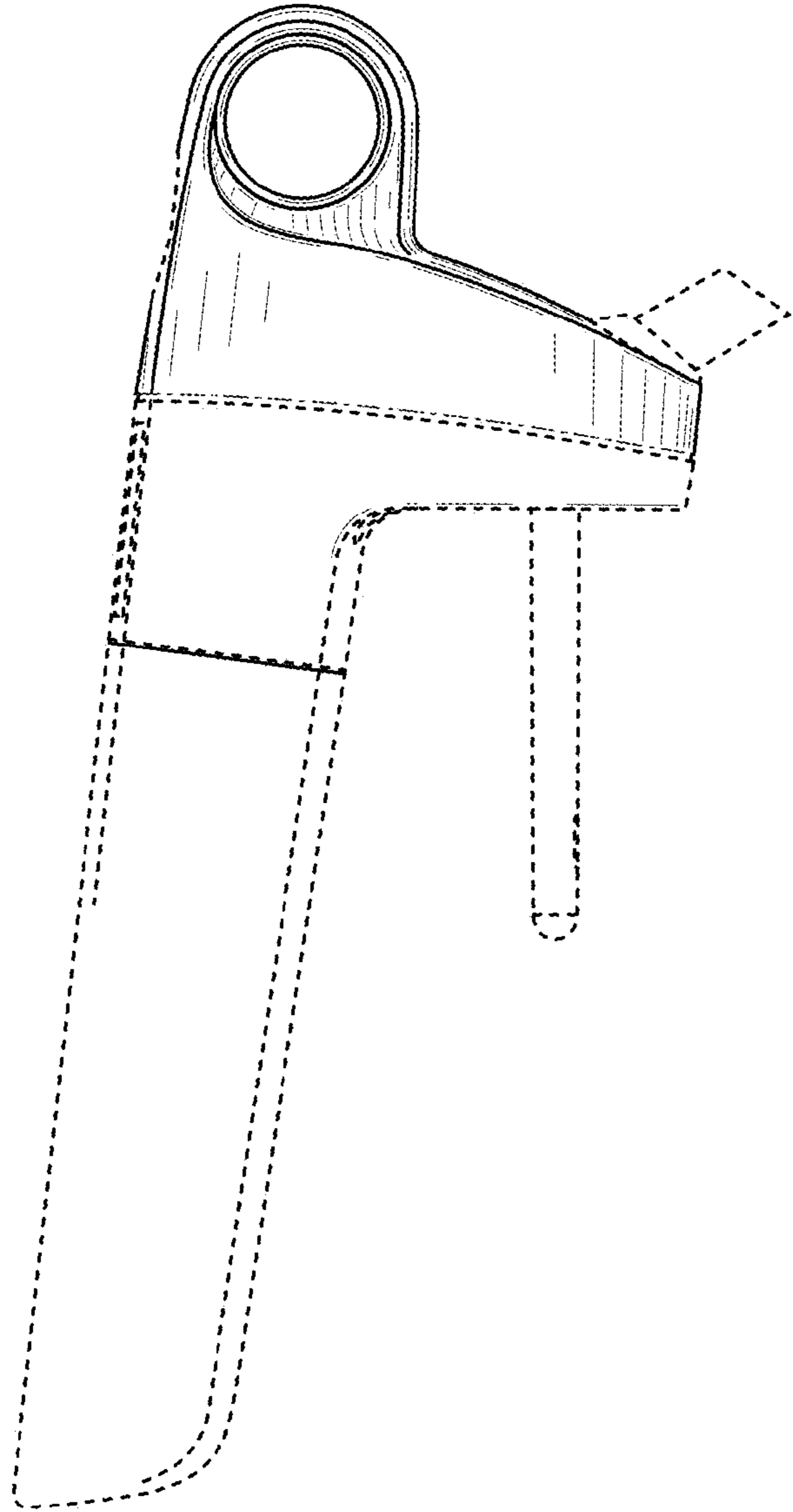


FIG. 5

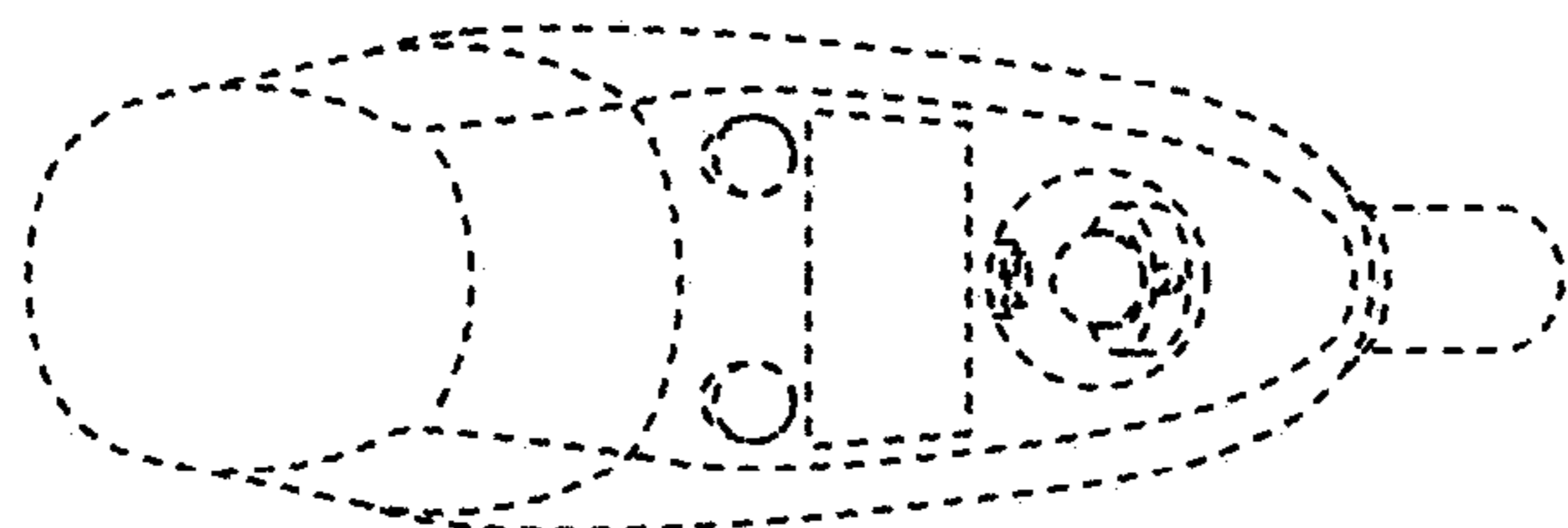


FIG. 6

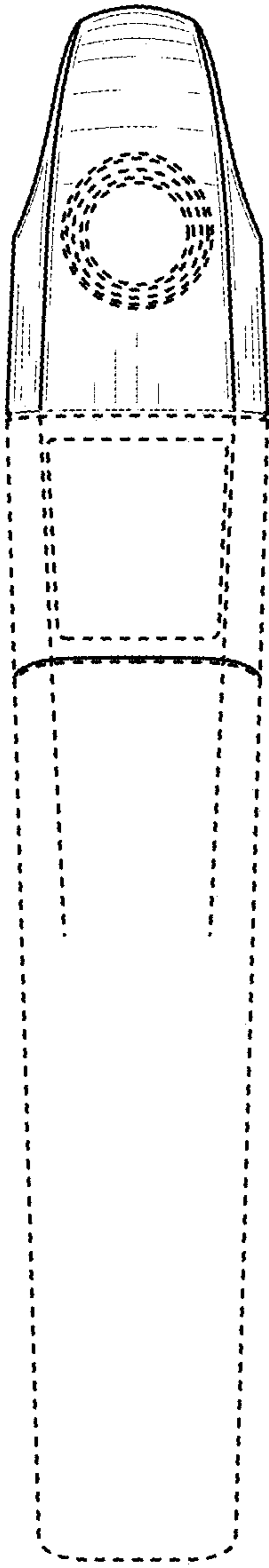


FIG. 7

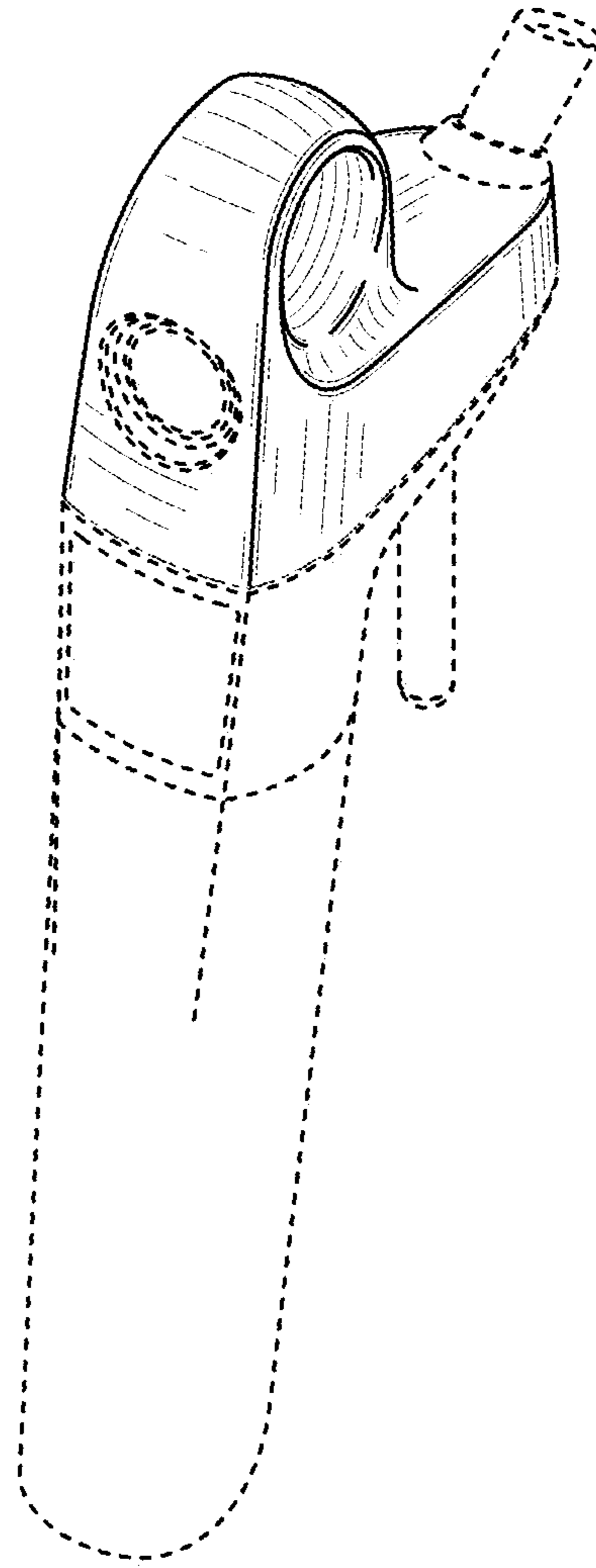


FIG. 8