



US00D891860S

(12) **United States Design Patent**
Schwartz et al.

(10) **Patent No.:** **US D891,860 S**

(45) **Date of Patent:** **** Aug. 4, 2020**

(54) **SIPPY CUP**

(71) Applicants: **David L. Schwartz**, McCordsville, IN (US); **Laura C. Schwartz**, McCordsville, IN (US)

(72) Inventors: **David L. Schwartz**, McCordsville, IN (US); **Laura C. Schwartz**, McCordsville, IN (US)

(**) Term: **15 Years**

(21) Appl. No.: **29/722,511**

(22) Filed: **Jan. 30, 2020**

Related U.S. Application Data

(63) Continuation of application No. 29/662,712, filed on Sep. 7, 2018, now Pat. No. Des. 876,892.

(51) **LOC (12) Cl.** **07-01**

(52) **U.S. Cl.**
USPC **D7/392.1**; D7/396.2; D7/534

(58) **Field of Classification Search**
USPC D7/507, 509, 510, 511, 514, 515, 516, D7/519, 523, 533, 534, 535, 536, 608, D7/300.1, 300.2, 629, 300, 401.1, 392.1, D7/396.2; D9/500, 501, 502, 503, 504, D9/435, 436; D24/197
CPC A47G 19/22; A47G 19/2288; A47G 19/2205; A47G 19/2211; A47G 19/2266; A47G 19/2272; B65D 47/066; A45F 3/16; A47J 41/02; A47J 41/0088
See application file for complete search history.

(56) **References Cited**

U.S. PATENT DOCUMENTS

4,243,156 A * 1/1981 Lobbestael B65D 47/10
220/265
5,839,581 A * 11/1998 Vagedes B65D 47/06
206/459.1

D476,849 S * 7/2003 Randolph D7/510
D515,867 S * 2/2006 Randolph D7/392.1
D520,809 S * 5/2006 Randolph D7/392.1
D551,021 S * 9/2007 Rousso D7/510
D561,522 S * 2/2008 Gordon D7/392
D736,031 S * 8/2015 Ro D7/393
D755,572 S * 5/2016 Parker D7/510
D764,235 S * 8/2016 Parker D7/510
D793,167 S * 8/2017 Schlegel D7/510
D816,409 S * 5/2018 Sawyer D7/510
D876,892 S * 3/2020 Schwartz D7/509

* cited by examiner

Primary Examiner — Jae Liang

(74) *Attorney, Agent, or Firm* — Renner, Otto, Boisselle & Sklar, LLP

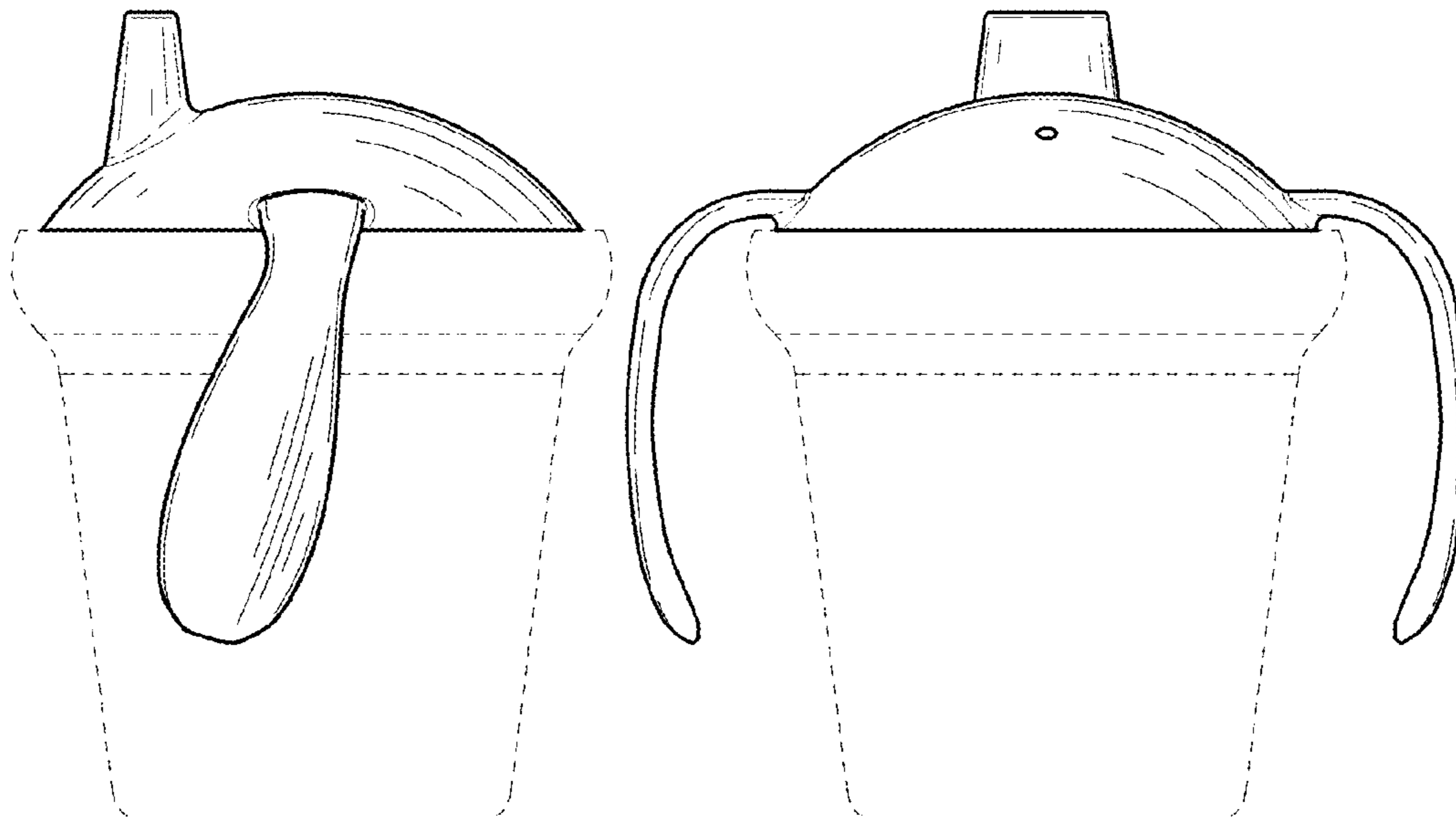
(57) **CLAIM**

The ornamental design for a sippy cup, as shown and described.

DESCRIPTION

FIG. 1 is a top isometric view of a sippy cup showing our new design;
FIG. 2 is a left side view of the sippy cup of FIG. 1;
FIG. 3 is a right side view of the sippy cup of FIG. 1;
FIG. 4 is a front view of the sippy cup of FIG. 1;
FIG. 5 is a rear view of the sippy cup of FIG. 1;
FIG. 6 is a top view of the sippy cup of FIG. 1; and,
FIG. 7 is a bottom view of the sippy cup of FIG. 1.
The broken lines in the drawings depict portions of the sippy cup that form no part of the claimed design.

1 Claim, 2 Drawing Sheets



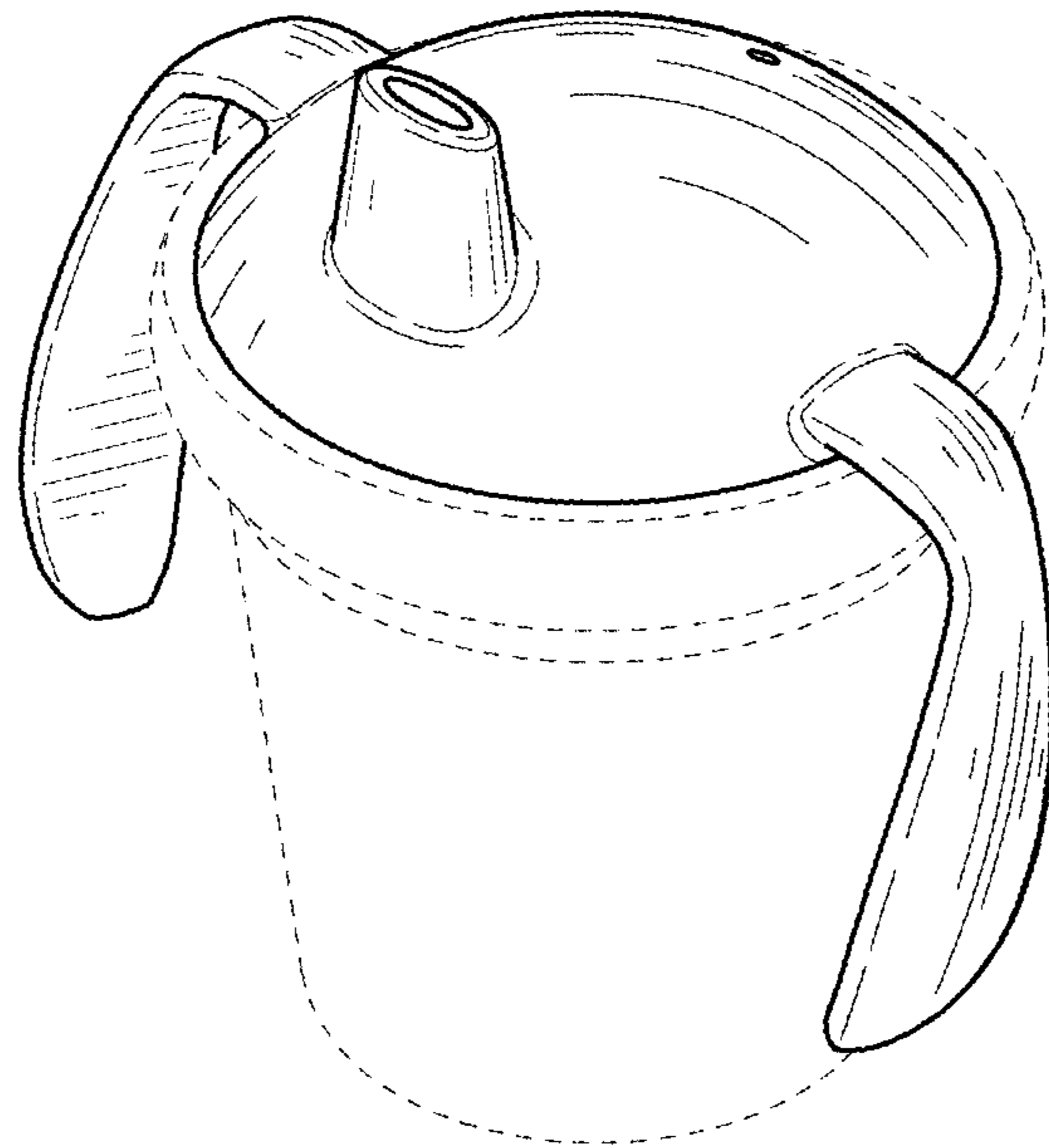


Fig. 1

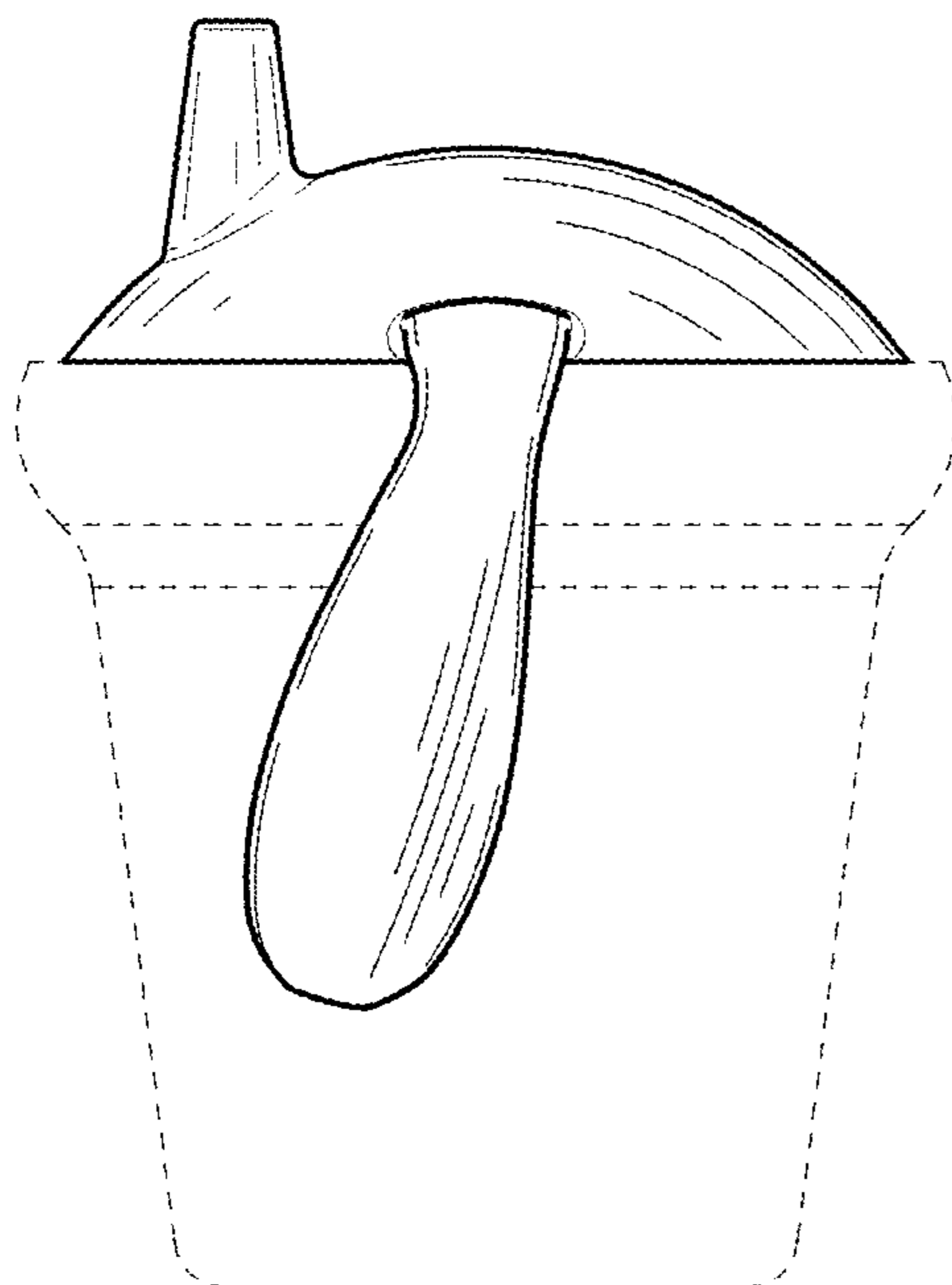


Fig. 2

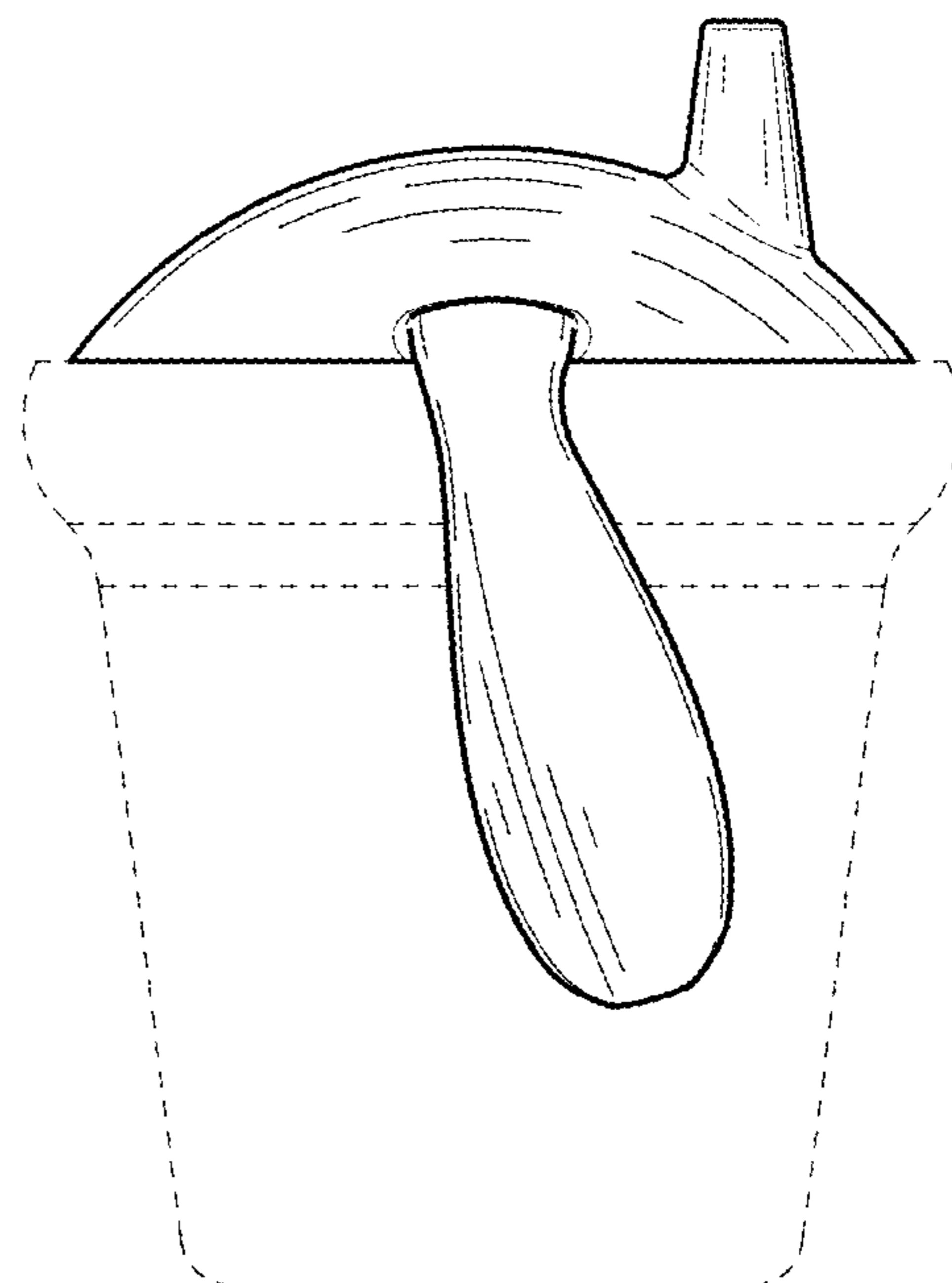


Fig. 3

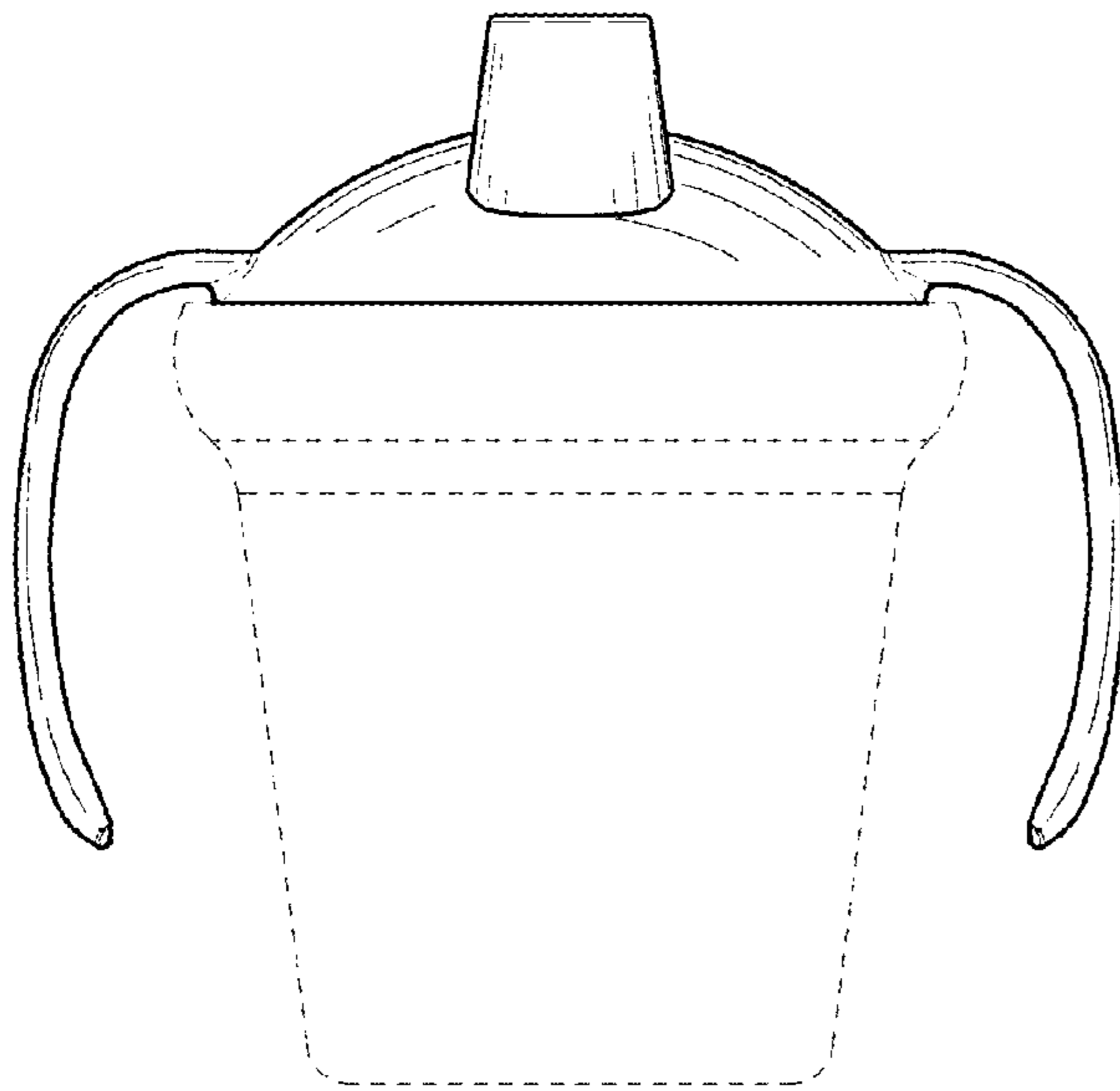


Fig. 4

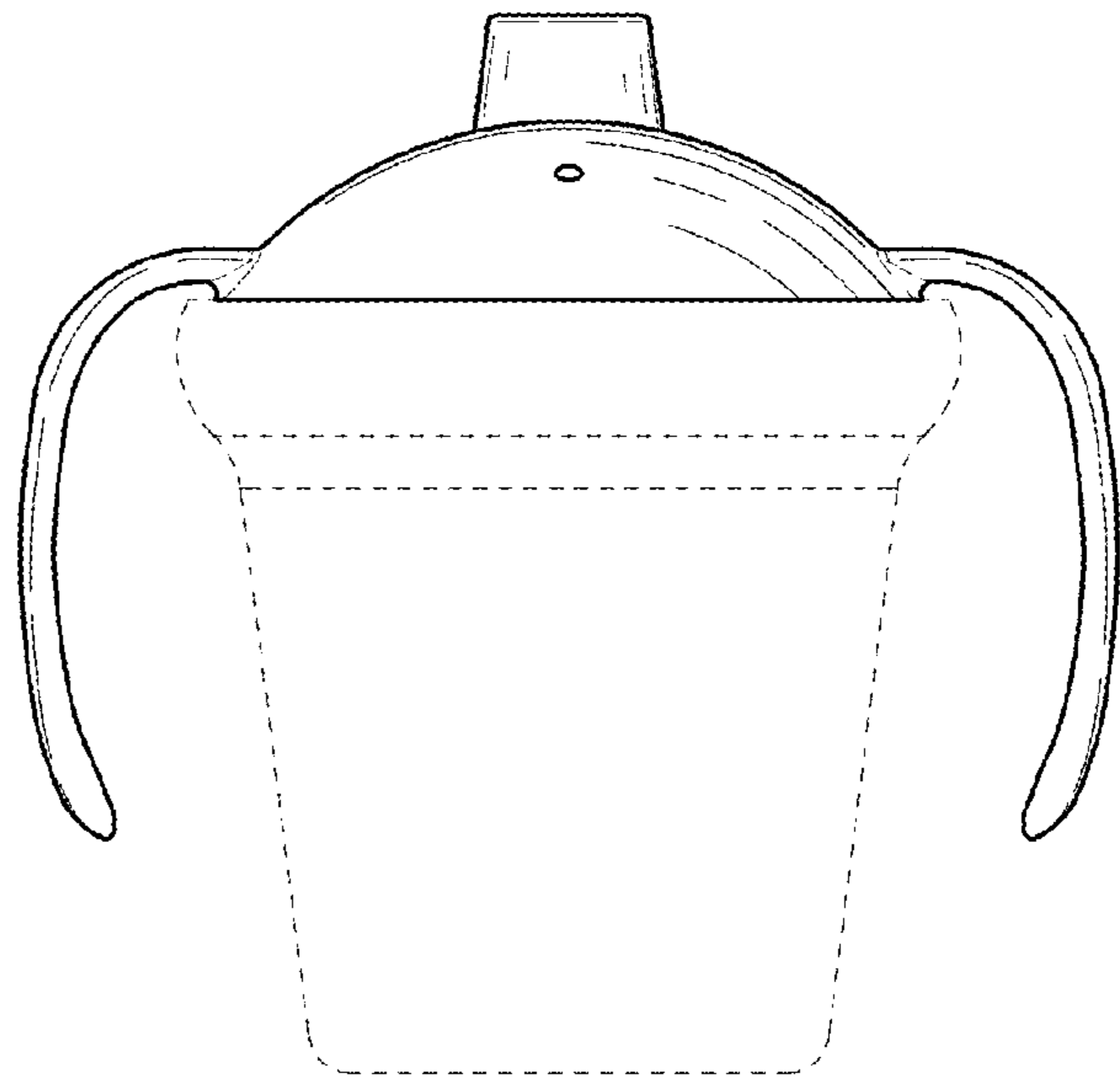


Fig. 5

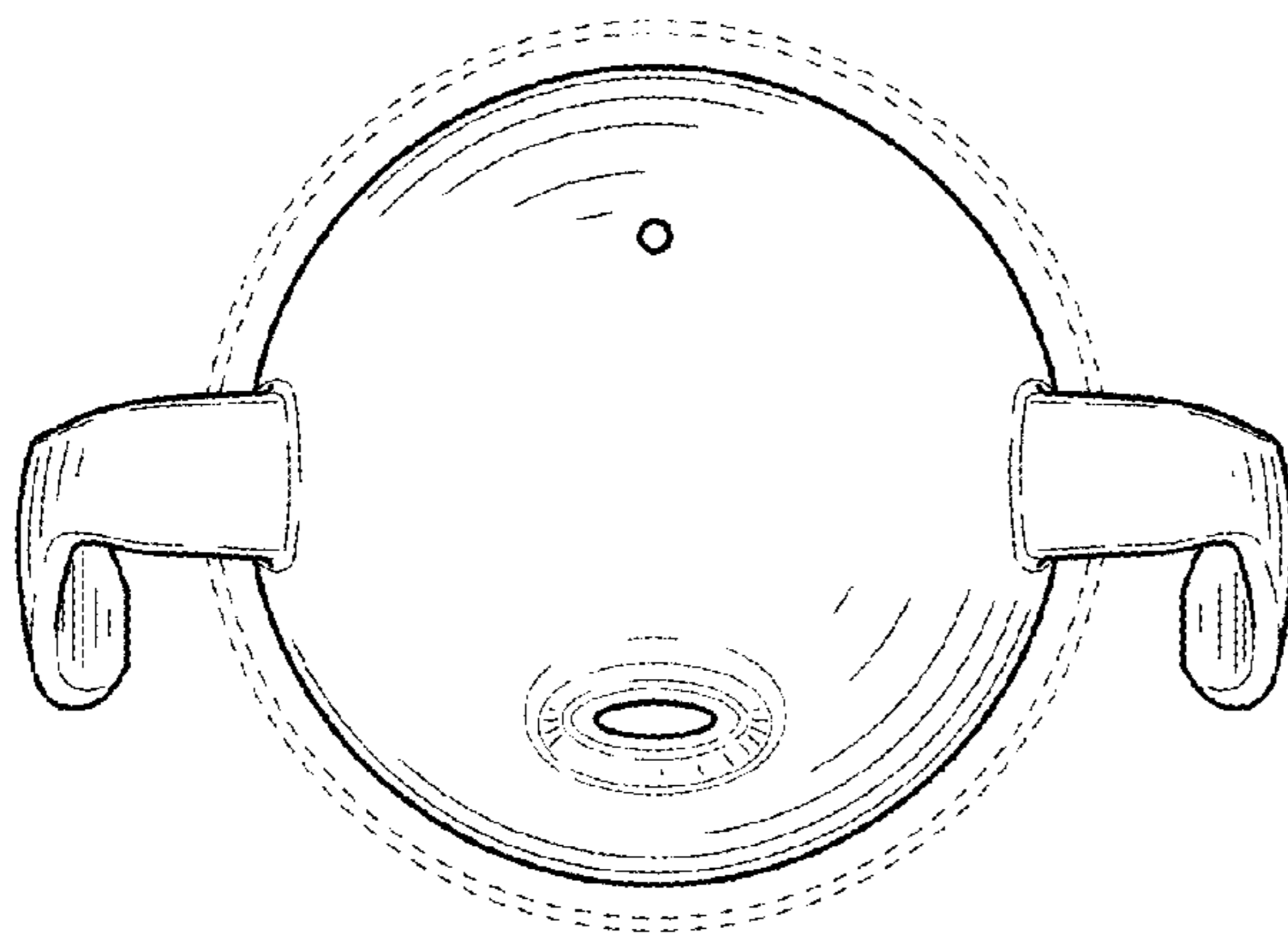


Fig. 6

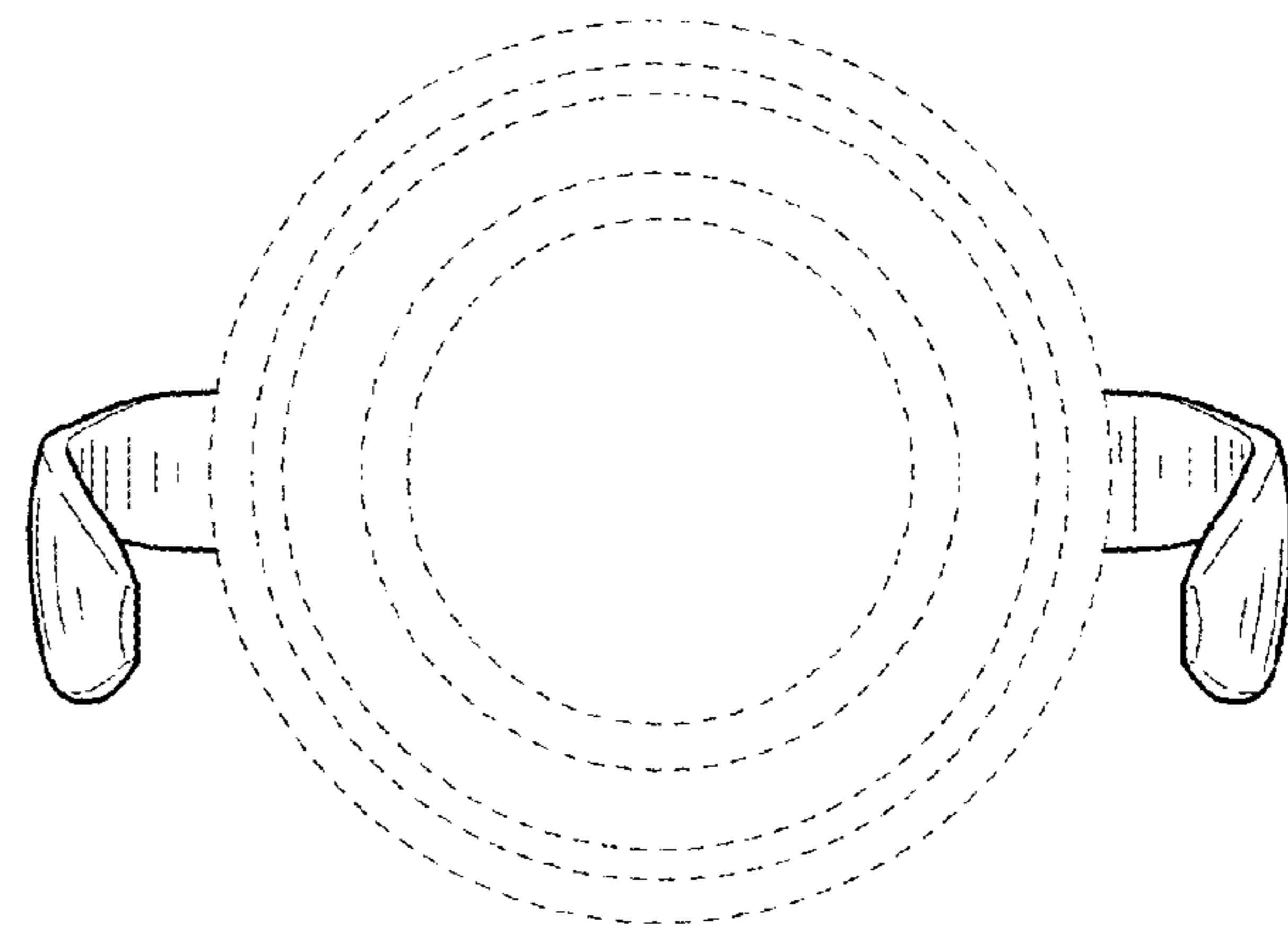


Fig. 7