



US00D891858S

(12) **United States Design Patent**
Adams, Jr. et al.

(10) **Patent No.:** **US D891,858 S**

(45) **Date of Patent:** **** Aug. 4, 2020**

(54) **BEVERAGE CONTAINER CAP**

(71) Applicant: **Klean Kanteen, Inc.**, Chico, CA (US)

(72) Inventors: **Richard John Adams, Jr.**, Bozeman, MT (US); **Joshua James Birkle**, Chico, CA (US); **James Osgood**, Chico, CA (US)

(73) Assignee: **KLEAN KANTEEN, INC.**, Chico, CA (US)

(**) Term: **15 Years**

(21) Appl. No.: **29/662,767**

(22) Filed: **Sep. 7, 2018**

(51) **LOC (12) Cl.** **07-01**

(52) **U.S. Cl.**

USPC **D7/392.1**; D7/396.2

(58) **Field of Classification Search**

USPC D7/392.1, 396.2, 387, 391, 213, 510, D7/511, 507, 900; D9/902, 434, 435, D9/436, 439, 443, 455; 220/200

CPC A47G 19/2211; A47G 19/22; A45F 3/16; B65D 41/56; B65D 43/02; B65D 47/08

See application file for complete search history.

(56) **References Cited**

U.S. PATENT DOCUMENTS

| | | | | |
|--------------|---------|--------------|-------|----------|
| D643,679 S * | 8/2011 | Lu | | D7/392.1 |
| D658,431 S * | 5/2012 | Gilbert | | D7/392.1 |
| D686,074 S * | 7/2013 | Brinckerhoff | | D9/443 |
| D727,681 S * | 4/2015 | Osgood | | D7/392.1 |
| D830,767 S * | 10/2018 | Gordon | | D7/392.1 |
| D836,387 S * | 12/2018 | Silsby | | D7/392.1 |
| D853,182 S * | 7/2019 | Adams, Jr. | | D7/392 |
| D869,898 S * | 12/2019 | Hannigan | | D7/392.1 |

2018/0065784 A1* 3/2018 Cote, Sr. B65D 47/244

* cited by examiner

Primary Examiner — Jae Liang

(74) *Attorney, Agent, or Firm* — Alleman Hall Creasman & Tuttle LLP

(57) **CLAIM**

The ornamental design for a beverage container cap, as shown and described.

DESCRIPTION

FIG. 1 is a first top perspective view of an ornamental design for a beverage container cap.

FIG. 2 is a second top perspective view of the beverage container cap of FIG. 1.

FIG. 3 is a front elevation view of the beverage container cap of FIG. 1.

FIG. 4 is a back elevation view of the beverage container cap of FIG. 1.

FIG. 5 is a right-side elevation view of the beverage container cap of FIG. 1.

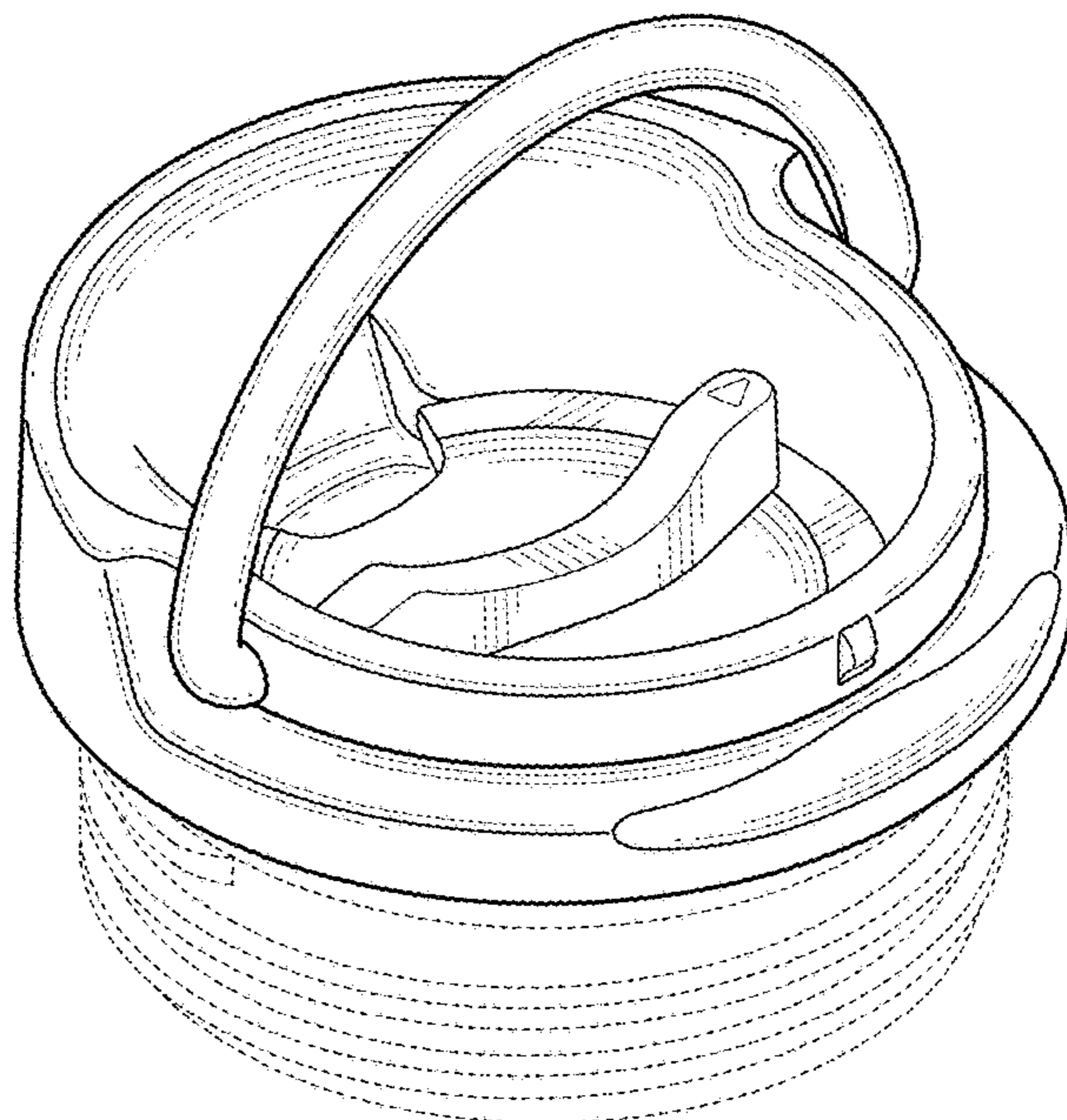
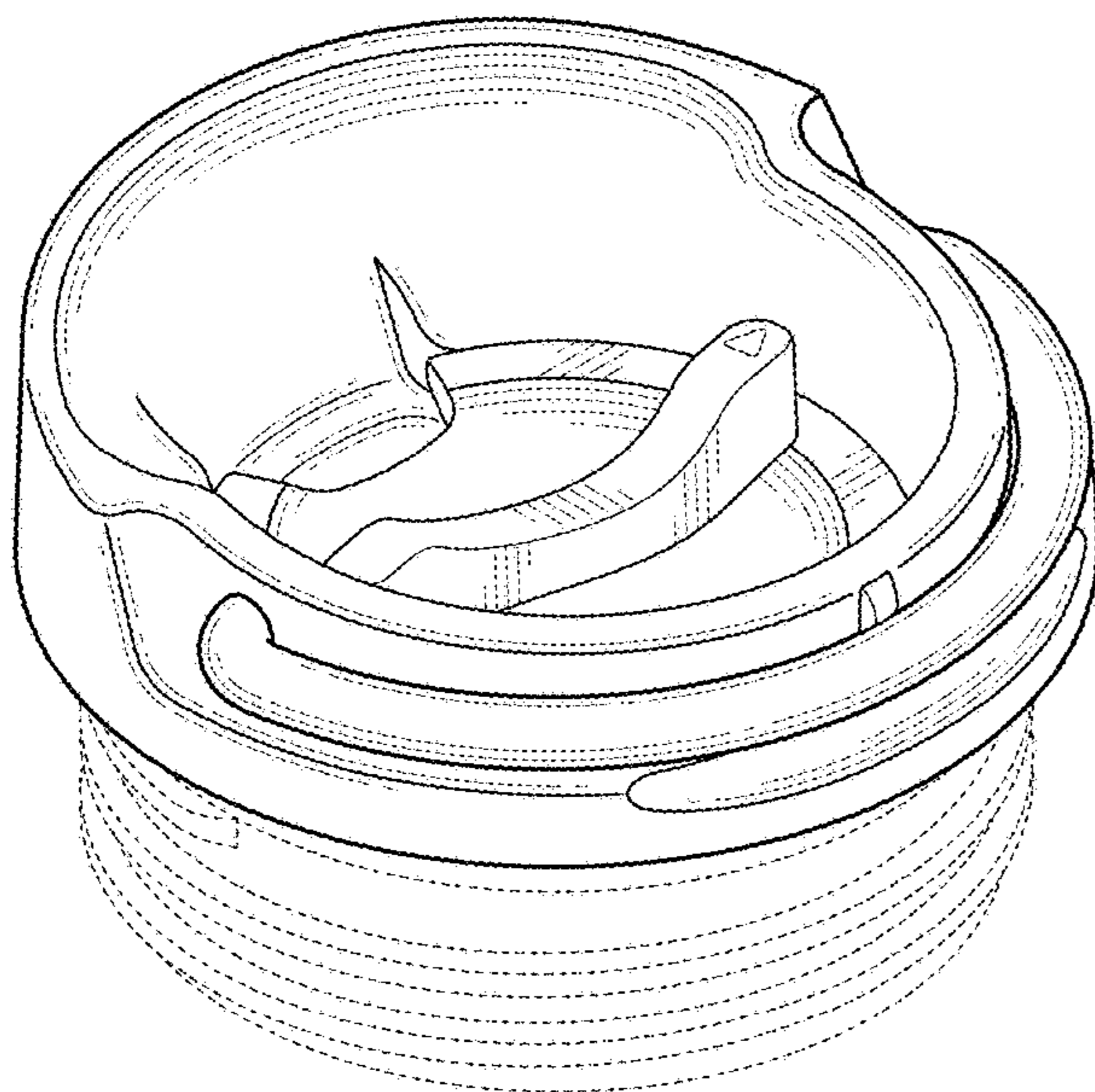
FIG. 6 is a left-side elevation view of the beverage container cap of FIG. 1.

FIG. 7 is a top plan view of the beverage container cap of FIG. 1; and,

FIG. 8 is a bottom plan view of the beverage container cap of FIG. 1.

The beverage container cap includes a loop which may be in a stowed position as depicted in FIGS. 1, 3, 5, 6, and 7 or in an unstowed position as depicted in FIG. 2. The loop is not visible in FIGS. 4 and 8. The dashed lines in FIGS. 1-5 and 8 depict a threaded lower portion of the beverage container cap. The dashed lines in FIG. 6 depict a vacuum flask. The dashed lines form no part of the claimed design.

1 Claim, 4 Drawing Sheets



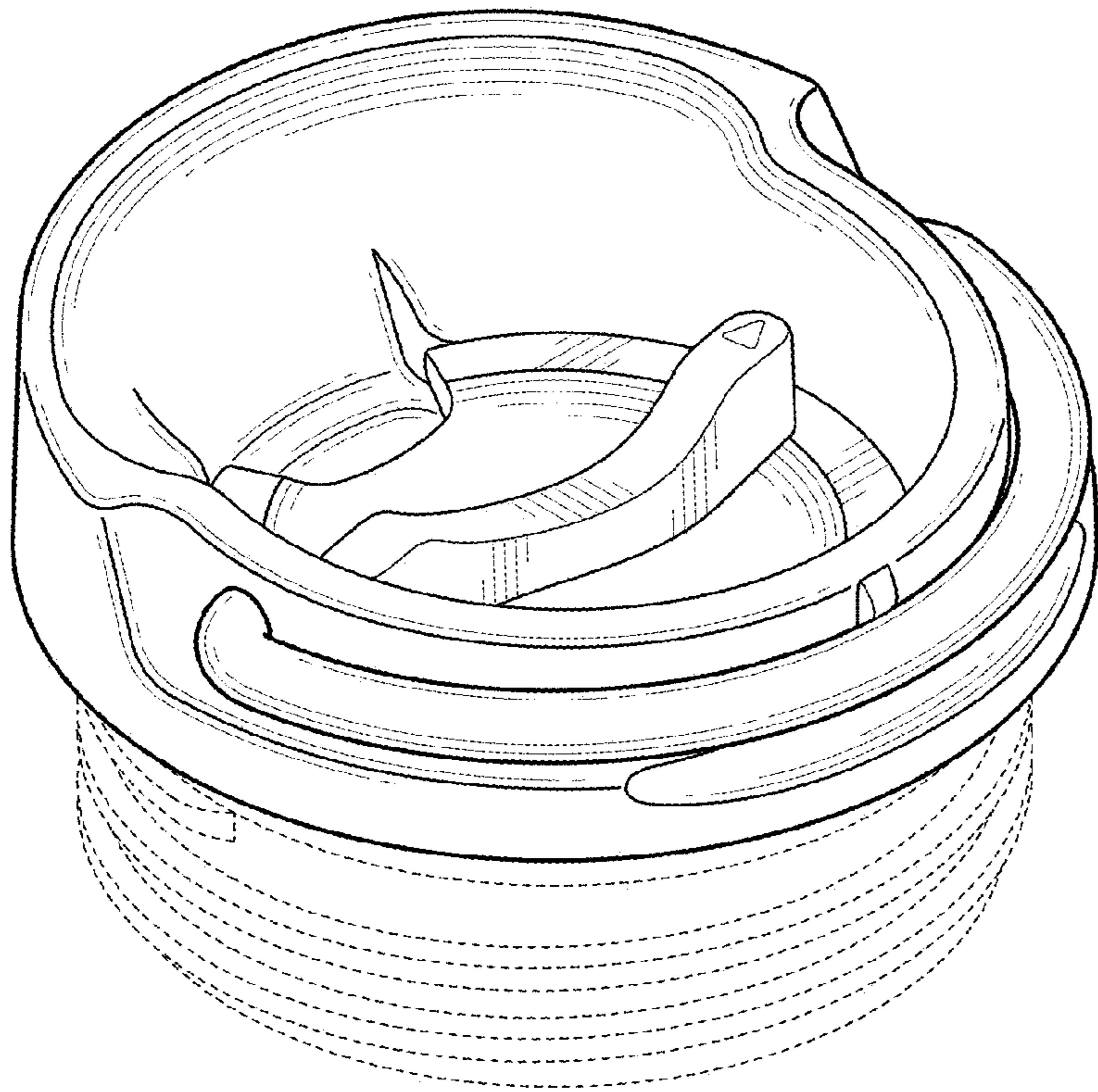


FIG. 1

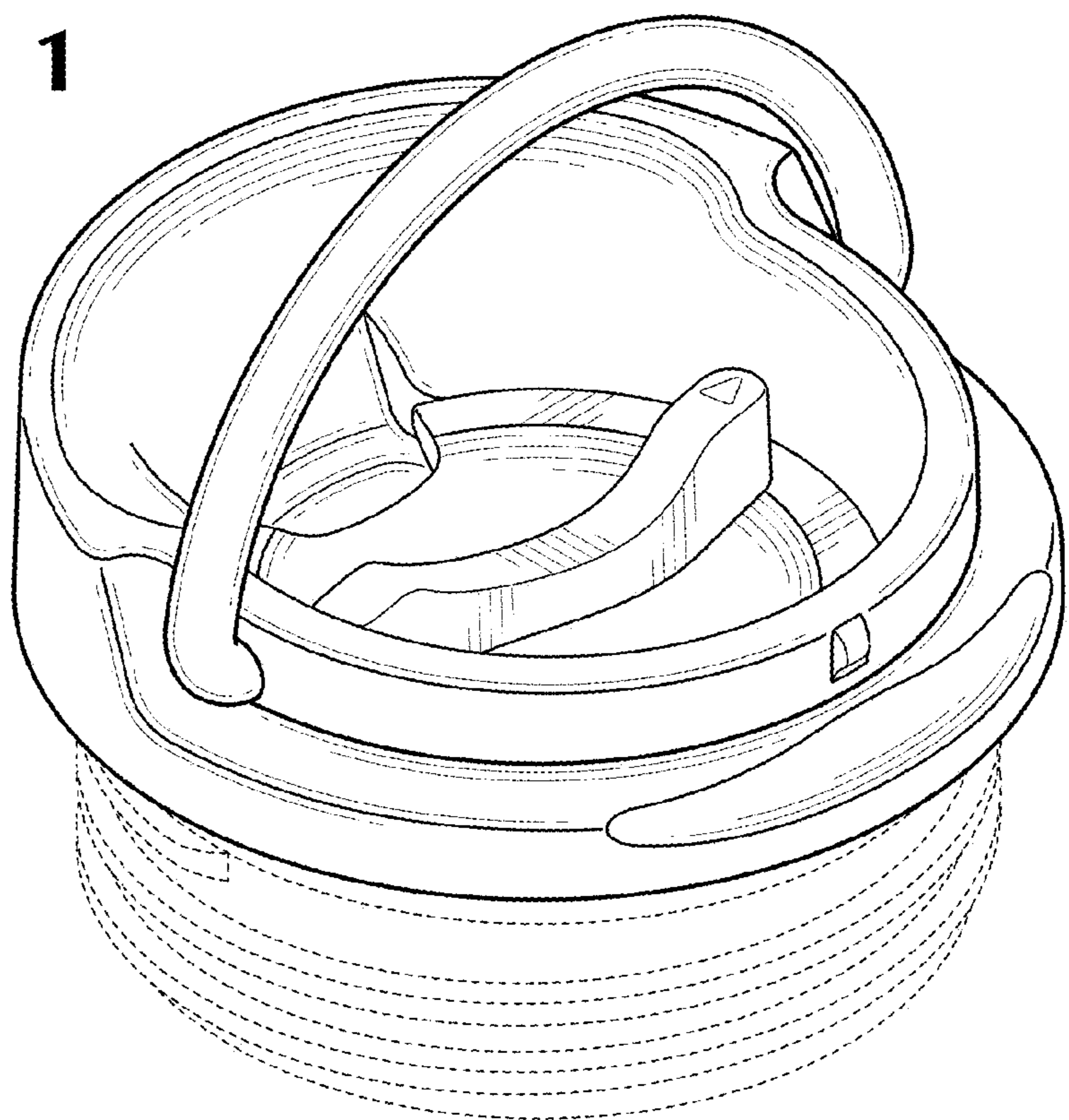


FIG. 2

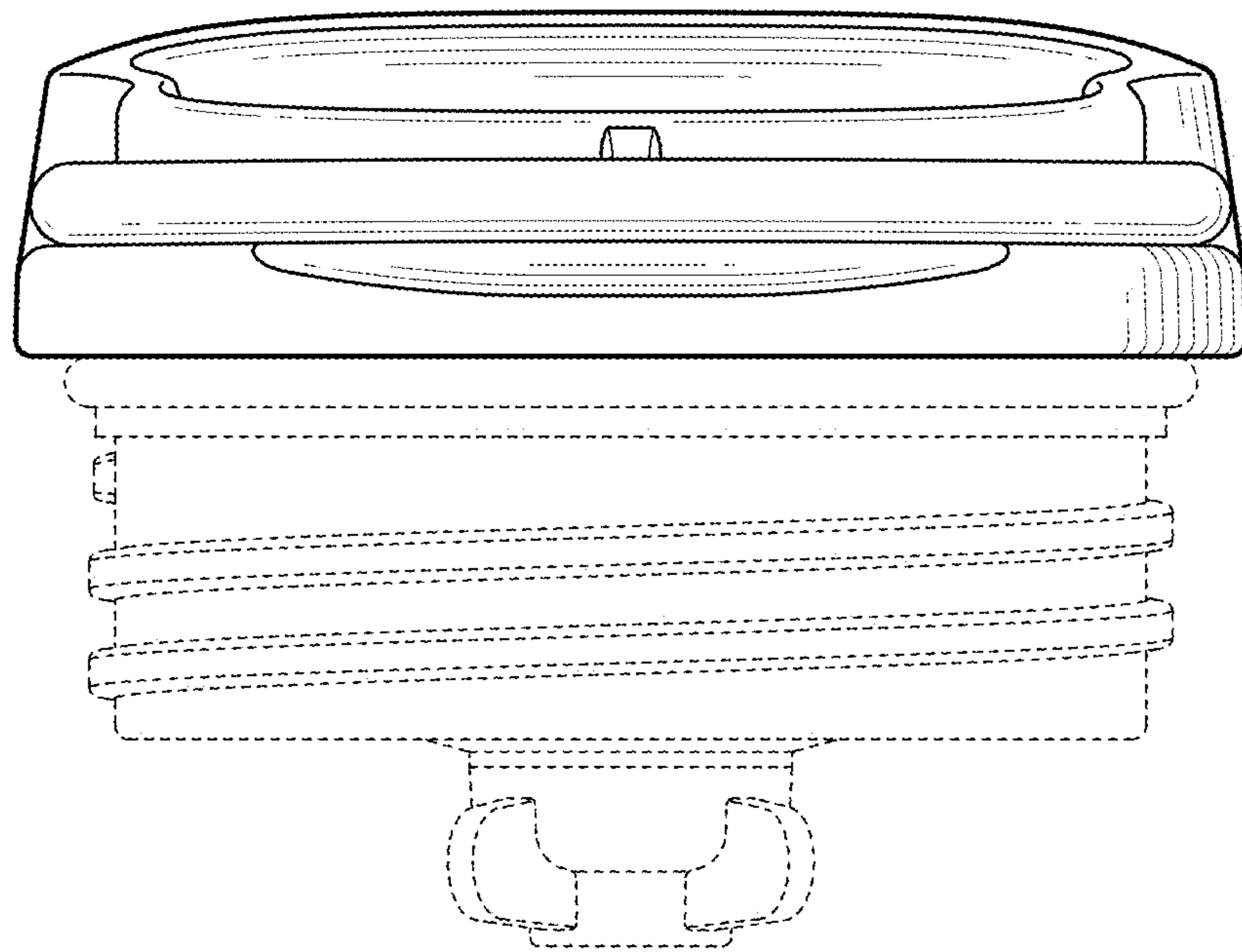


FIG. 3

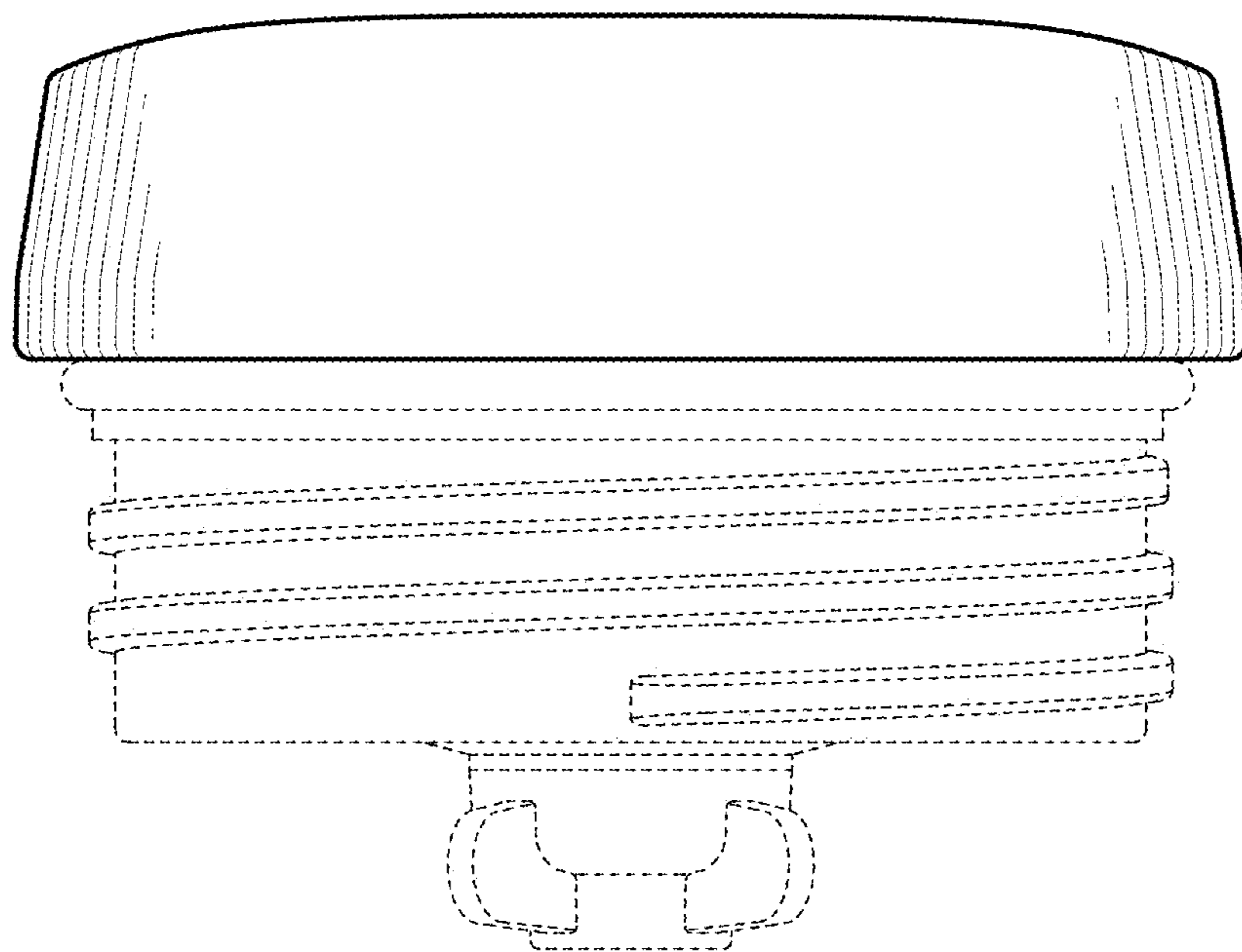


FIG. 4

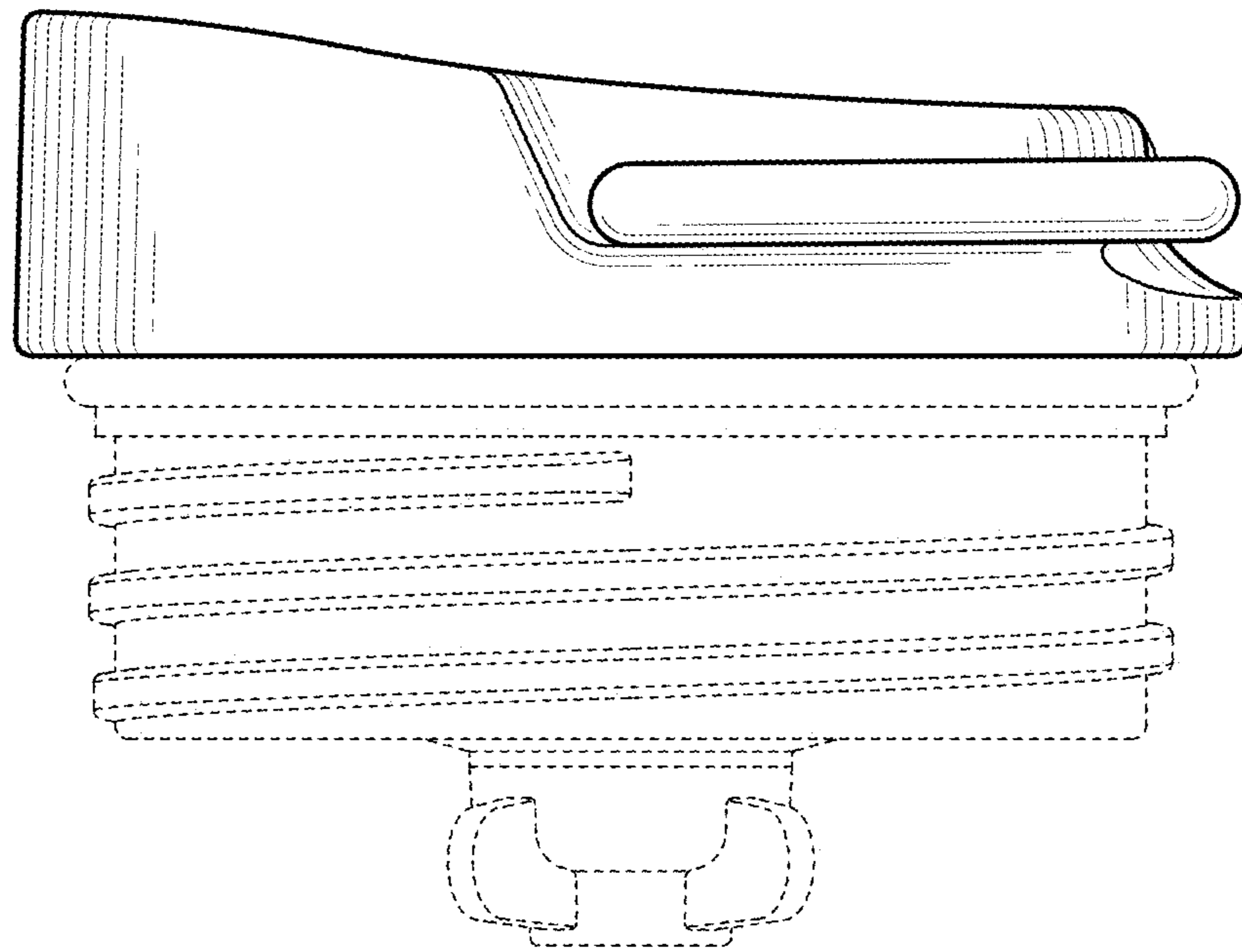


FIG. 5

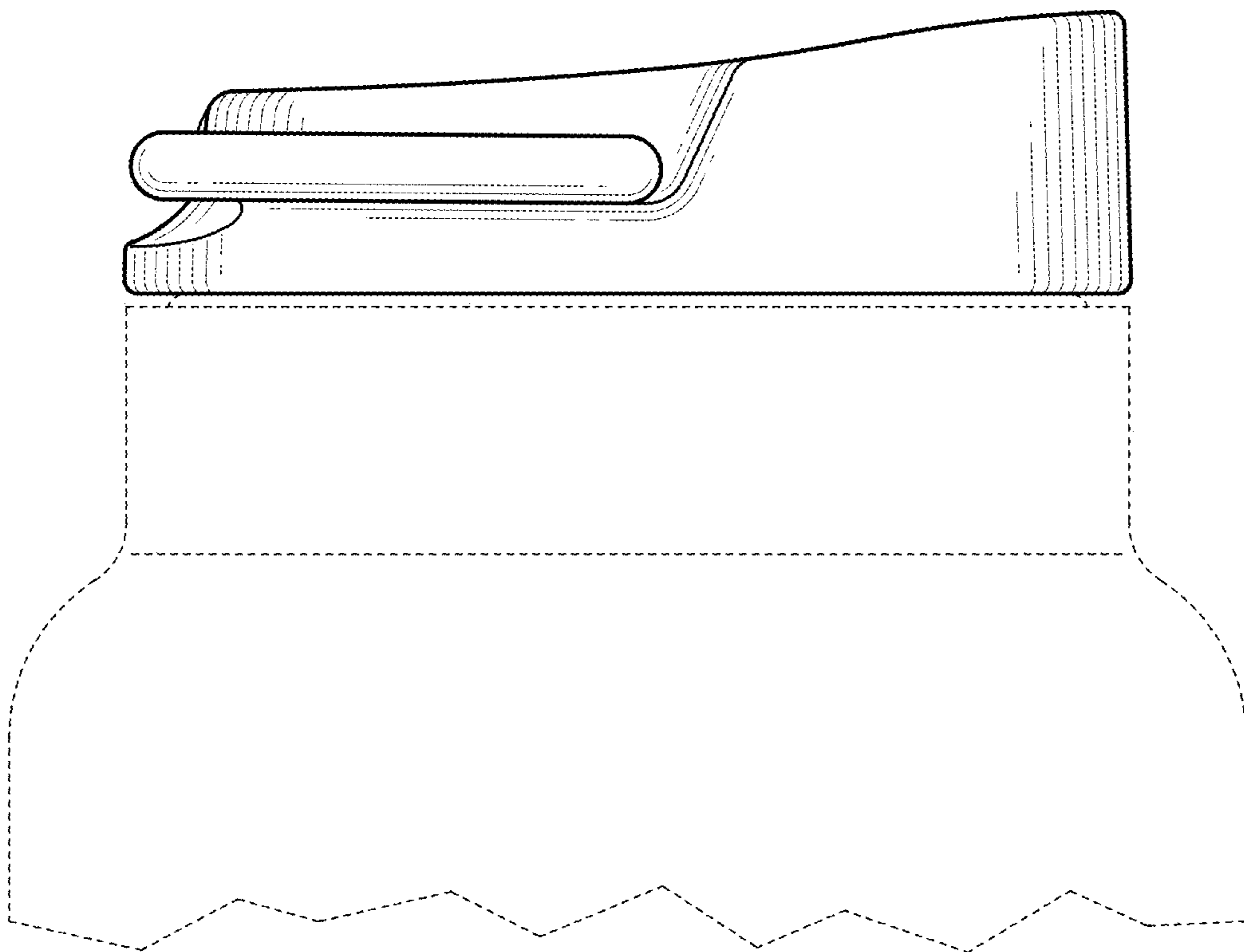


FIG. 6

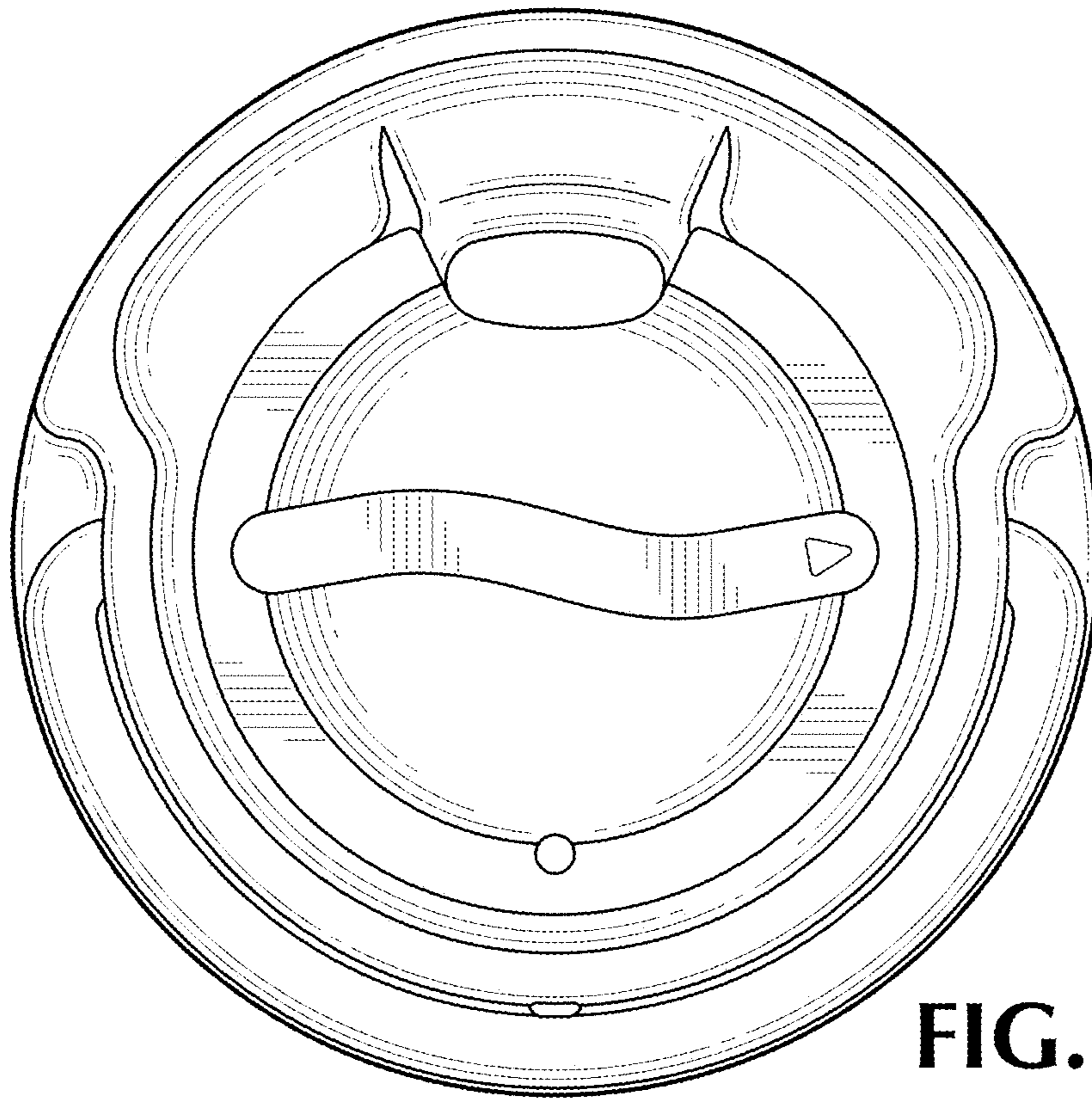


FIG. 7

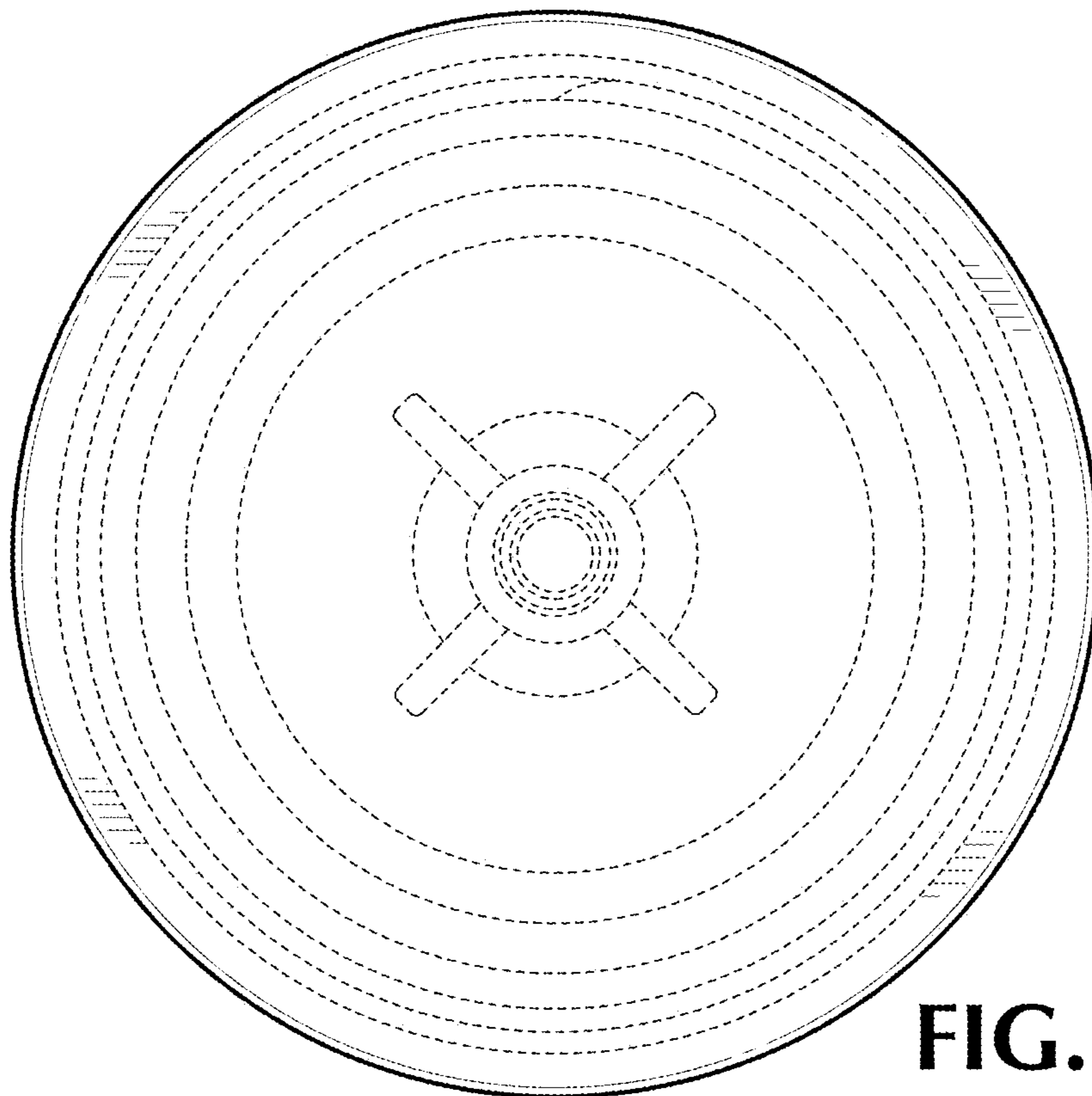


FIG. 8