



US00D891855S

(12) **United States Design Patent** (10) **Patent No.:** **US D891,855 S**  
**McConnell et al.** (45) **Date of Patent:** **\*\* Aug. 4, 2020**

(54) **HANDHELD BLENDER**  
(71) Applicant: **WHIRLPOOL CORPORATION**,  
Benton Harbor, MI (US)  
(72) Inventors: **John W. McConnell**, St. Joseph, MI  
(US); **Yifan Wang**, St. Joseph, MI  
(US); **Wenkai Wu**, Aurora, IL (US)  
(73) Assignee: **Whirlpool Corporation**, Benton  
Harbor, MI (US)  
(\*\*) Term: **15 Years**  
(21) Appl. No.: **29/682,096**  
(22) Filed: **Mar. 1, 2019**  
(51) **LOC (12) Cl.** ..... **31-00**  
(52) **U.S. Cl.**  
USPC ..... **D7/380**; D7/376; D7/379  
(58) **Field of Classification Search**  
USPC ..... D7/372, 376-386, 412-413, 602, 629,  
D7/665-666, 669, 679, 693-694  
CPC .... A21C 1/02; A21C 1/04; A23N 1/00; A23N  
1/02; A47J 43/04; A47J 43/25; A47J  
43/27; A47J 43/042; A47J 43/044; A47J  
43/046; A47J 43/075; A47J 43/0711;  
A47J 43/0722; A47J 43/0727; B01F 3/00;  
B01F 3/0807; B01F 3/0853; B01F  
13/0059; B01F 13/0064; B02C 1/08;  
B02C 2/04; B02C 4/42; B02C 4/142;  
B02C 4/143; B02C 4/423; B02C 13/1835;  
B28C 5/10; B28C 5/12; B28C 5/14;  
B28C 5/16  
See application file for complete search history.

(56) **References Cited**  
U.S. PATENT DOCUMENTS  
D308,001 S \* 5/1990 Ricard ..... D7/376  
D327,603 S 7/1992 van Asten  
D345,076 S \* 3/1994 Saltet ..... D7/376

D348,587 S 7/1994 Saltet  
D358,293 S 5/1995 Sebastia  
D361,241 S 8/1995 Littmann  
D447,380 S \* 9/2001 Feil ..... D7/376  
D456,206 S \* 4/2002 Feil ..... D7/376  
D485,729 S 1/2004 Patton et al.  
D506,102 S 6/2005 Ikegaki  
D534,032 S 12/2006 Lloyd  
D614,438 S 4/2010 Fukasawa  
D623,009 S 9/2010 Bodum  
D638,656 S 5/2011 Brinckerhoff et al.  
D644,479 S 9/2011 Lownds et al.  
D649,394 S 11/2011 Grabes et al.  
D681,391 S 5/2013 Agren  
D691,412 S \* 10/2013 Ragot ..... D7/376  
D703,481 S 4/2014 Lownds  
D724,373 S \* 3/2015 Ji ..... D7/376  
D756,166 S \* 5/2016 Lee ..... D7/376  
D805,345 S \* 12/2017 Ho ..... D7/380

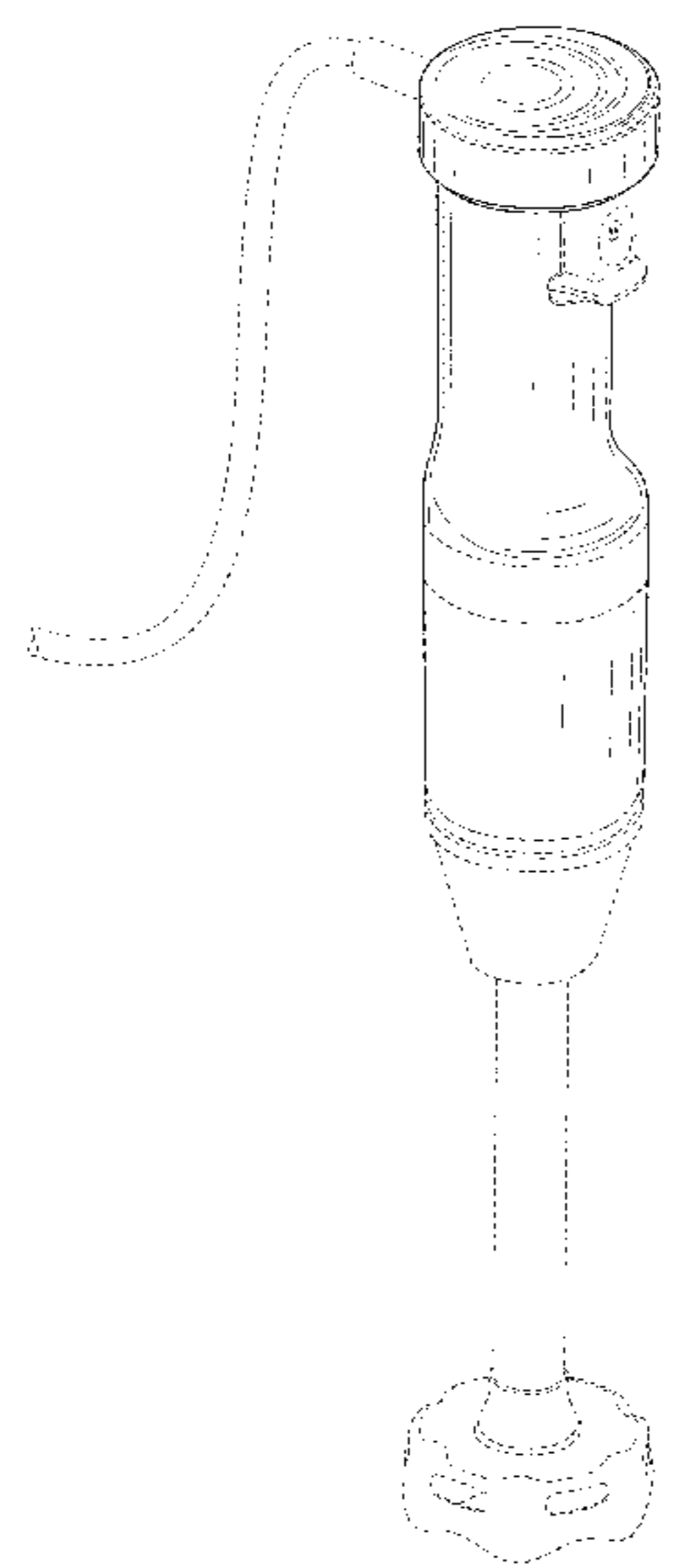
(Continued)

*Primary Examiner* — Ricky Pham  
(74) *Attorney, Agent, or Firm* — Price Heneveld LLP

(57) **CLAIM**  
The ornamental design for a handheld blender, as shown and described.

**DESCRIPTION**  
FIG. 1 is a perspective view of a handheld blender according to the design;  
FIG. 2 is a right side elevation view thereof;  
FIG. 3 is a left side elevation view thereof;  
FIG. 4 is a back elevation view thereof;  
FIG. 5 is a front elevation view thereof;  
FIG. 6 is a top plan view thereof; and,  
FIG. 7 is a bottom plan view thereof.  
The portions of the article shown in broken line form no part of the claimed design.  
Dash-dot lines adjacent un-shaded areas represent bounds of the claimed design and form no part of the claimed design themselves.

**1 Claim, 5 Drawing Sheets**



(56)

**References Cited**

U.S. PATENT DOCUMENTS

D809,331 S *	2/2018	Blazquez .....	D7/379
D817,081 S *	5/2018	Verbrugge .....	D7/379
D846,340 S *	4/2019	Gan .....	D7/380
D848,205 S *	5/2019	Mullen .....	D7/379
2005/0078549 A1 *	4/2005	Hamelin .....	A47J 43/0711 366/129

\* cited by examiner

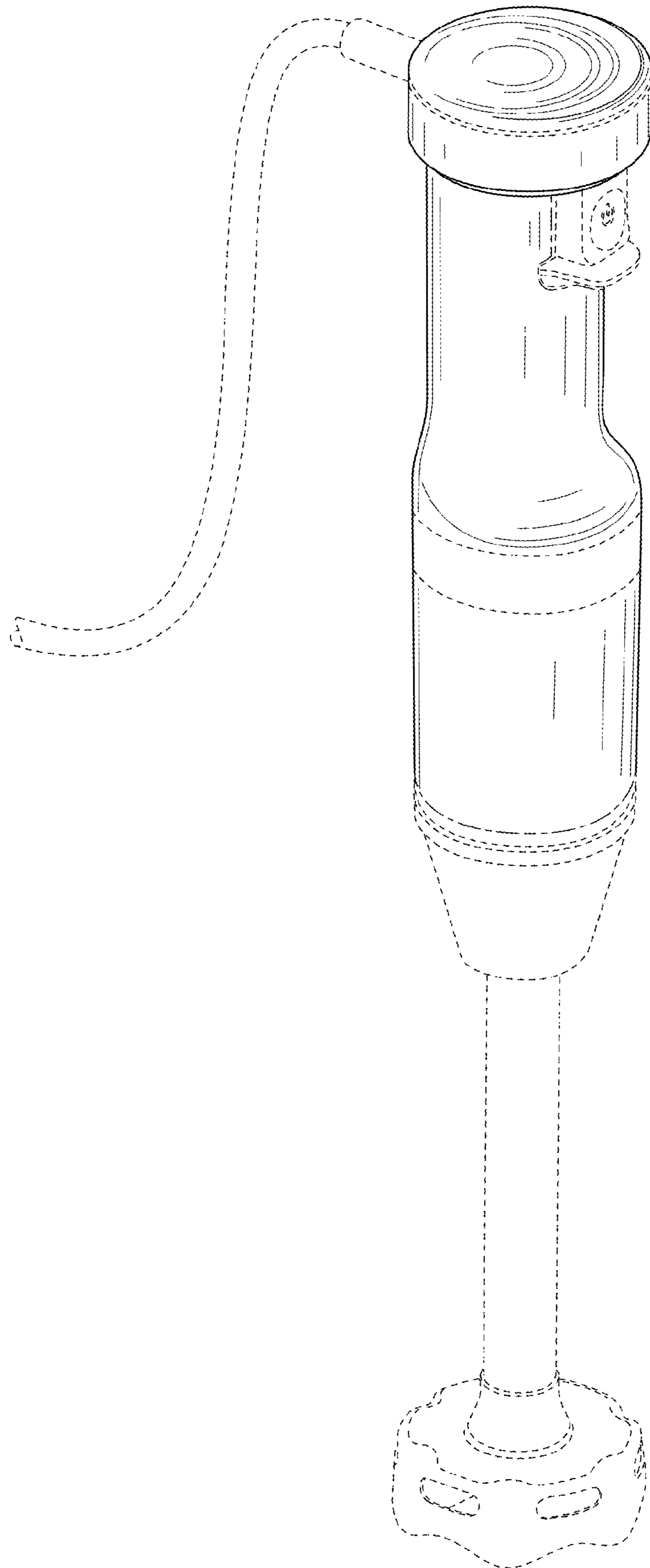


FIG. 1

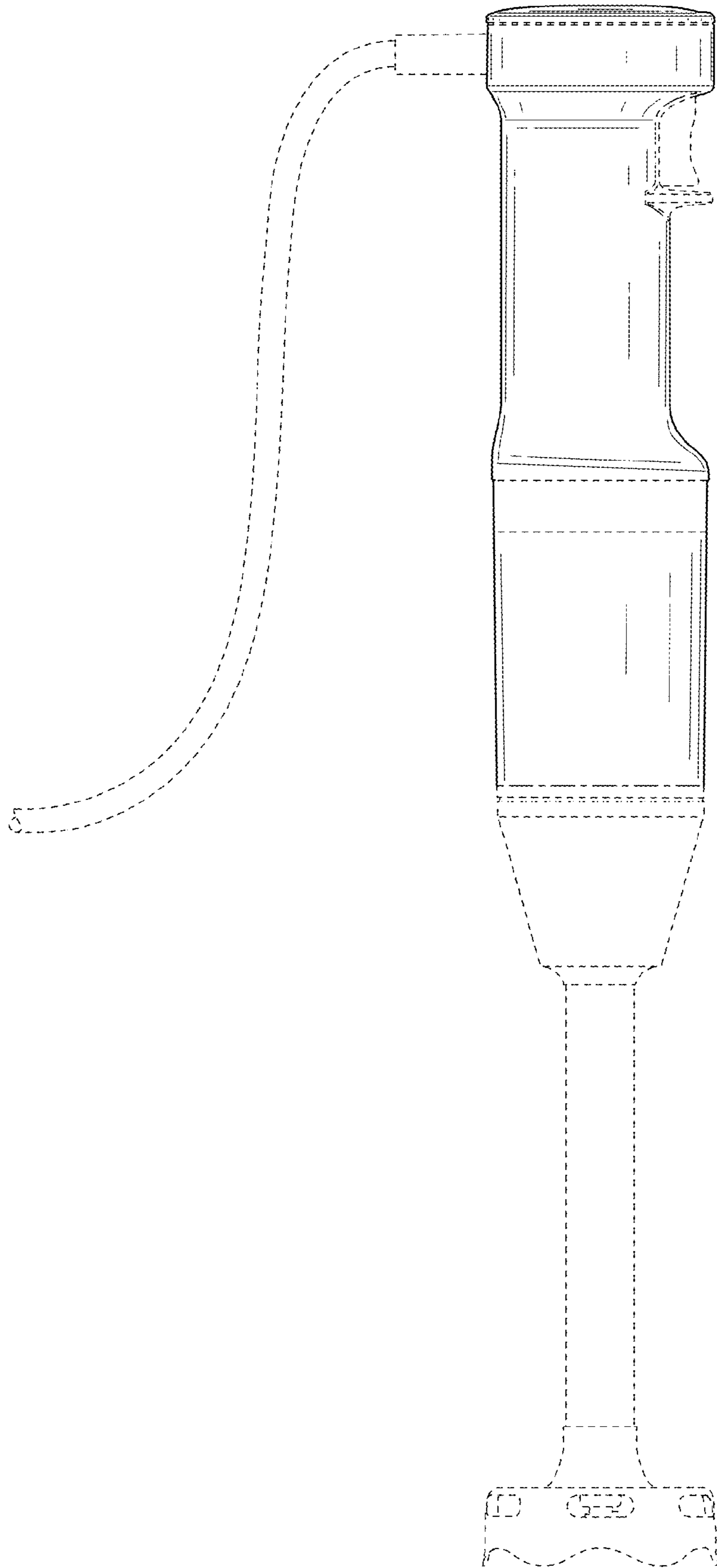


FIG. 2

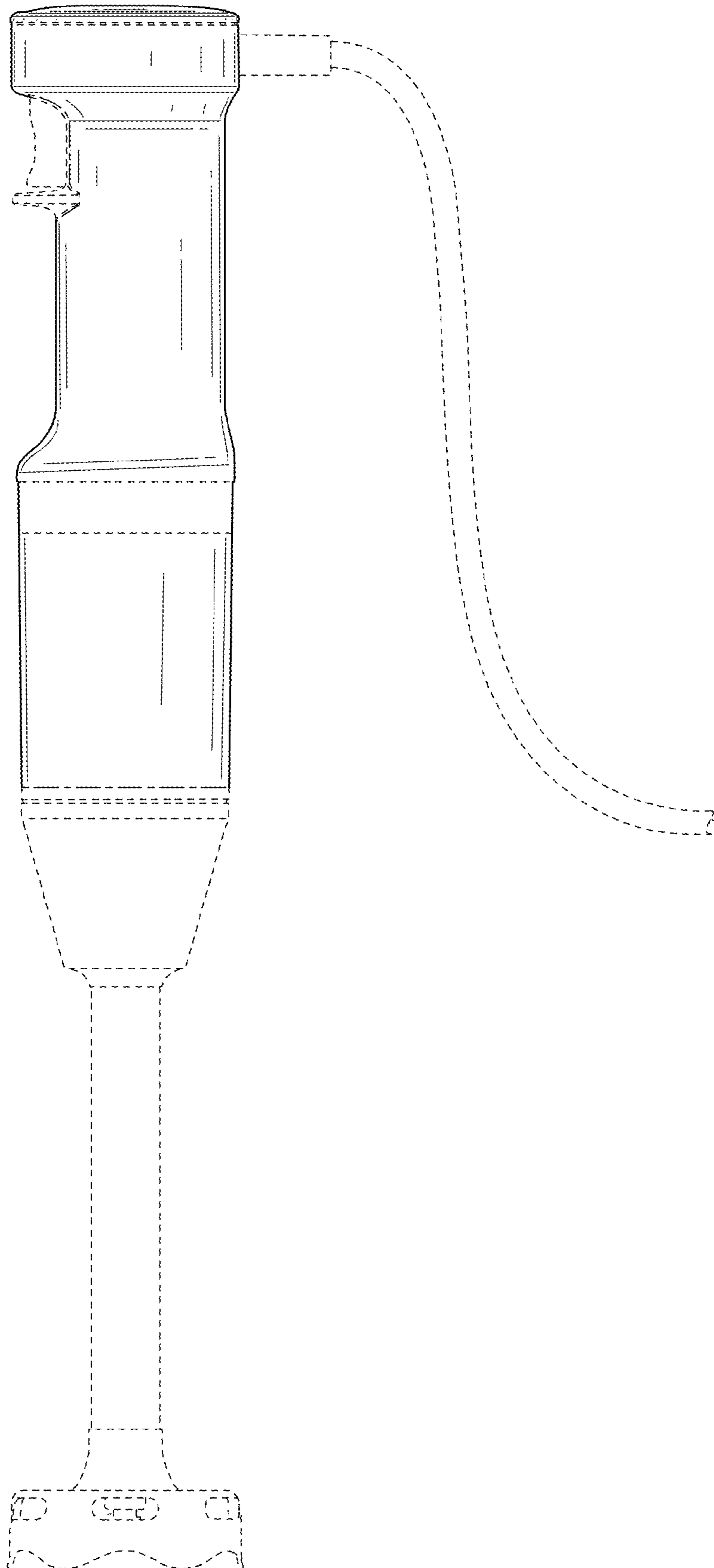


FIG. 3

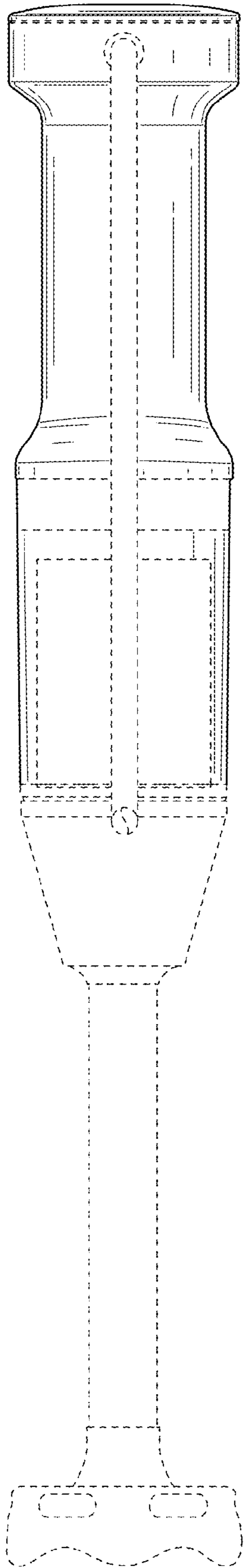


FIG. 4

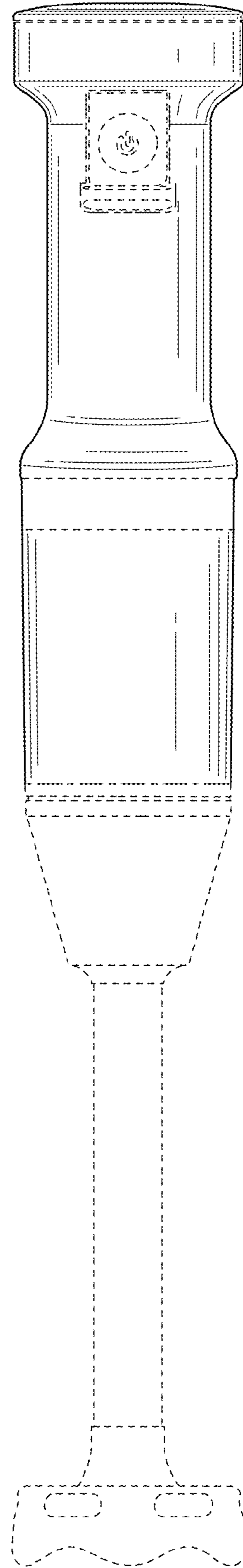


FIG. 5

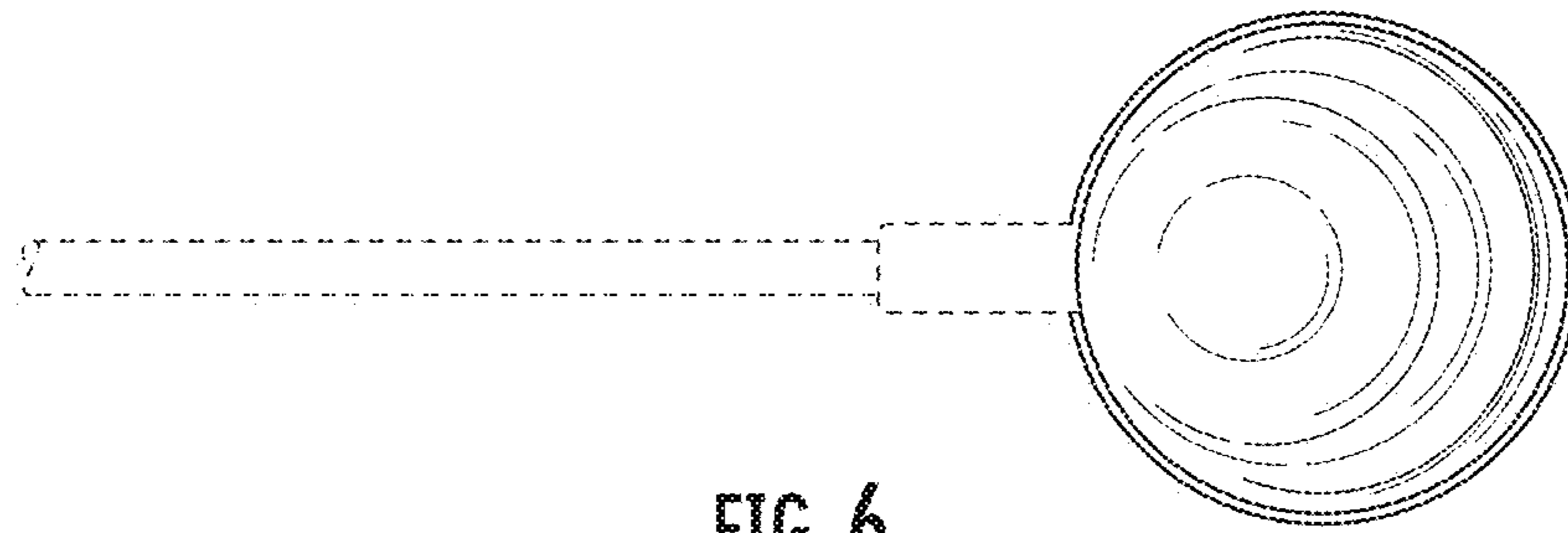


FIG. 6

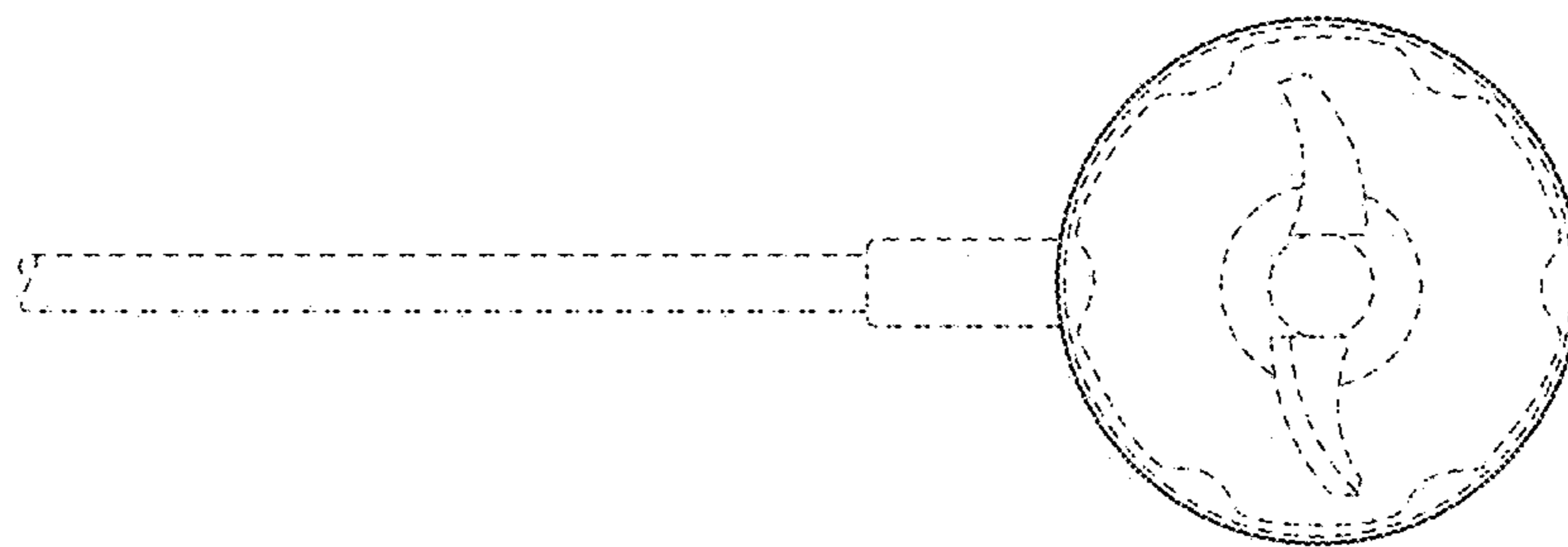


FIG. 7