



US00D891854S

(12) **United States Design Patent** (10) **Patent No.:** **US D891,854 S**
Miller et al. (45) **Date of Patent:** **** *Aug. 4, 2020**

(54) **BLENDER**

(56) **References Cited**

(71) Applicant: **SharkNinja Operating LLC**,
Needham, MA (US)
(72) Inventors: **Martin Edward Miller**, Essex (GB);
Jennifer Kathryn Marsden, London
(GB); **Sam William Bannister**,
Leybourne (GB); **Hamish Leigh**
Thompson, London (GB)
(73) Assignee: **SHARKNINJA OPERATING LLC**,
Needham, MA (US)

U.S. PATENT DOCUMENTS

D345,488 S *	3/1994	Barnard	D7/387
D404,253 S *	1/1999	Littmann	D7/412
D635,826 S *	4/2011	Krasznai	D7/384
D719,779 S *	12/2014	Vu	D7/376
D739,679 S *	9/2015	Benoit	D7/376
D747,135 S *	1/2016	Ha	D7/376
D749,893 S *	2/2016	Bazzicalupo	D7/376
D784,761 S *	4/2017	Tu	D7/376
D785,403 S *	5/2017	Smith	D7/376
D846,342 S *	4/2019	Smith	D7/384

* cited by examiner

(*) Notice: This patent is subject to a terminal disclaimer.

Primary Examiner — Ricky Pham

(**) Term: **15 Years**

(74) *Attorney, Agent, or Firm* — Cantor Colburn LLP

(21) Appl. No.: **29/659,552**

(57) **CLAIM**

(22) Filed: **Aug. 9, 2018**

The ornamental design for a blender, as shown and described.

(51) **LOC (12) Cl.** **31-00**

(52) **U.S. Cl.**
USPC **D7/378; D7/376; D7/384**

DESCRIPTION

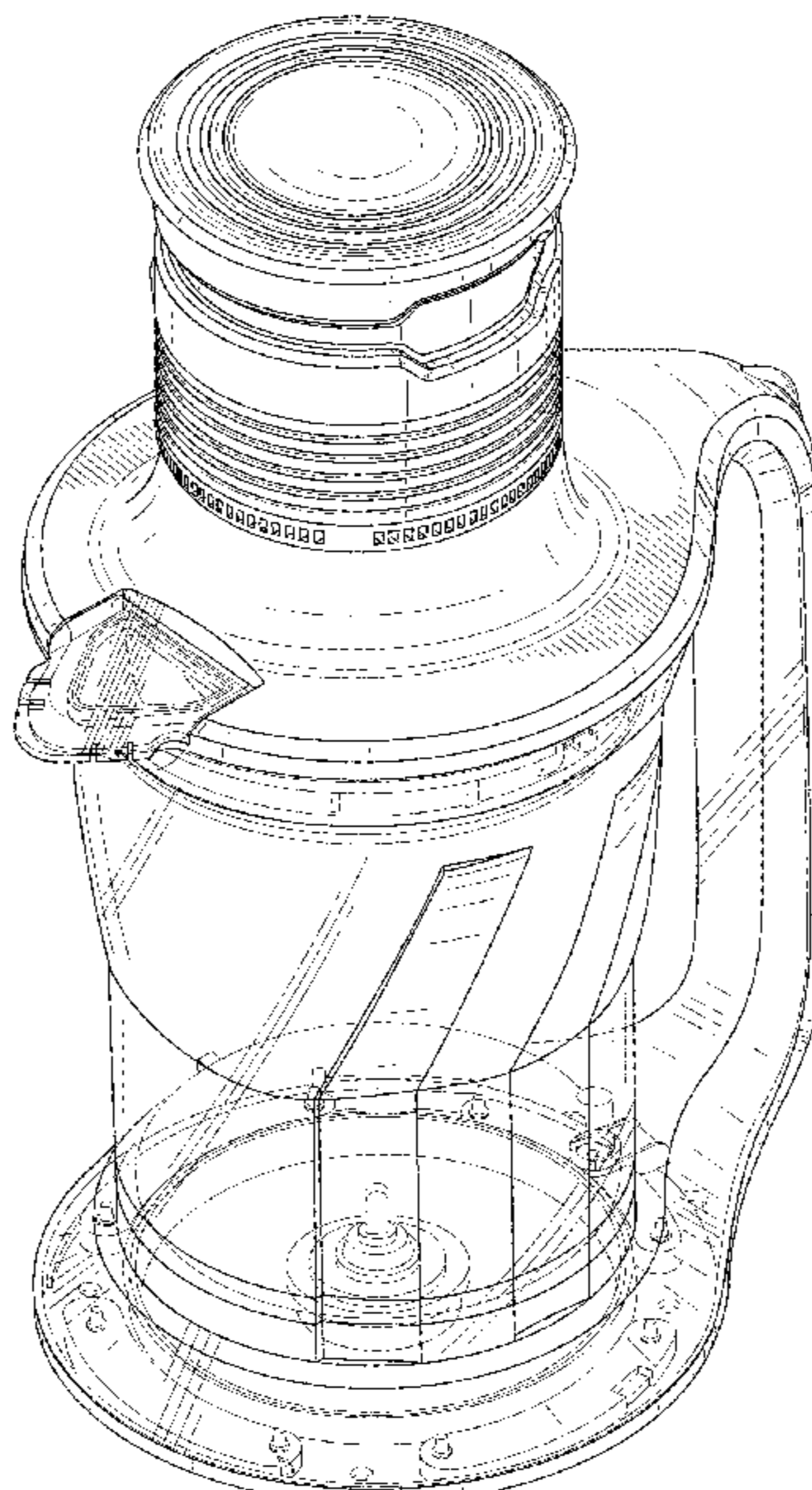
(58) **Field of Classification Search**
USPC D7/372, 376–386, 412–413, 602, 629,
D7/665–666, 669, 679, 693–694
CPC A21C 1/02; A21C 1/04; A23N 1/00; A23N
1/02; A47J 43/04; A47J 43/25; A47J
43/27; A47J 43/042; A47J 43/044; A47J
43/046; A47J 43/07; A47J 43/075; A47J
43/0716; A47J 43/0722; A47J 43/0727;
B01F 3/00; B01F 3/0807; B01F 3/0853;
B01F 13/0059; B01F 13/0064; B02C
1/08; B02C 2/04; B02C 4/42; B02C
4/142; B02C 4/143; B02C 4/423; B02C
13/1835; B28C 5/10; B28C 5/12; B28C
5/14; B28C 5/16

FIG. 1 is a perspective view of blender, showing our new design;
FIG. 2 is a side view of the embodiment shown in FIG. 1;
FIG. 3 is another view of the embodiment shown in FIG. 1;
FIG. 4 is front view of the embodiment shown in FIG. 1;
FIG. 5 is rear view of the embodiment shown in FIG. 1;
FIG. 6 is a top view of the embodiment shown in FIG. 1;
and,
FIG. 7 is a bottom view of the embodiment shown in FIG. 1.

The broken lines in the figures are for environmental purposes only and form no part of the claimed design.

See application file for complete search history.

1 Claim, 7 Drawing Sheets



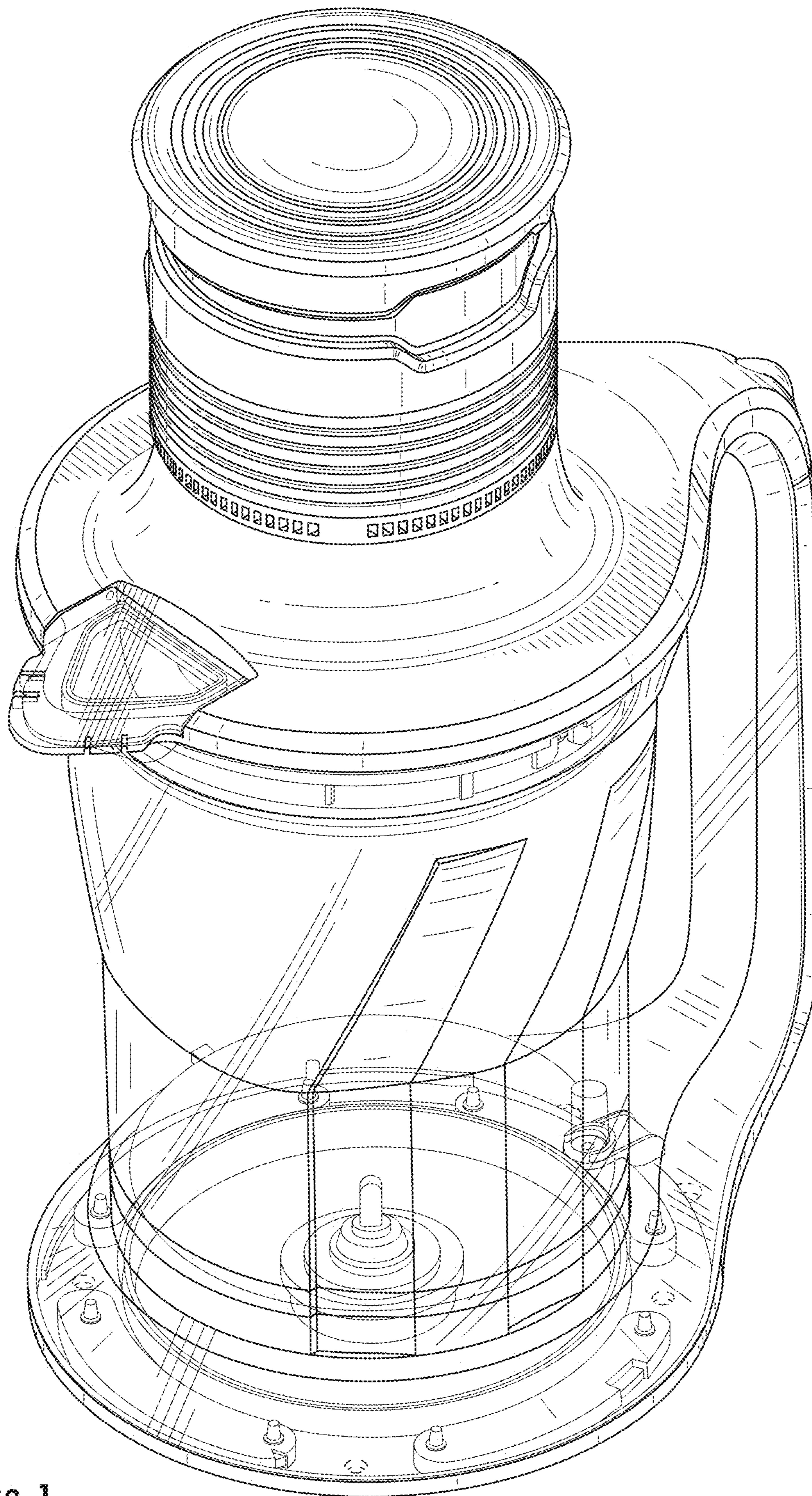
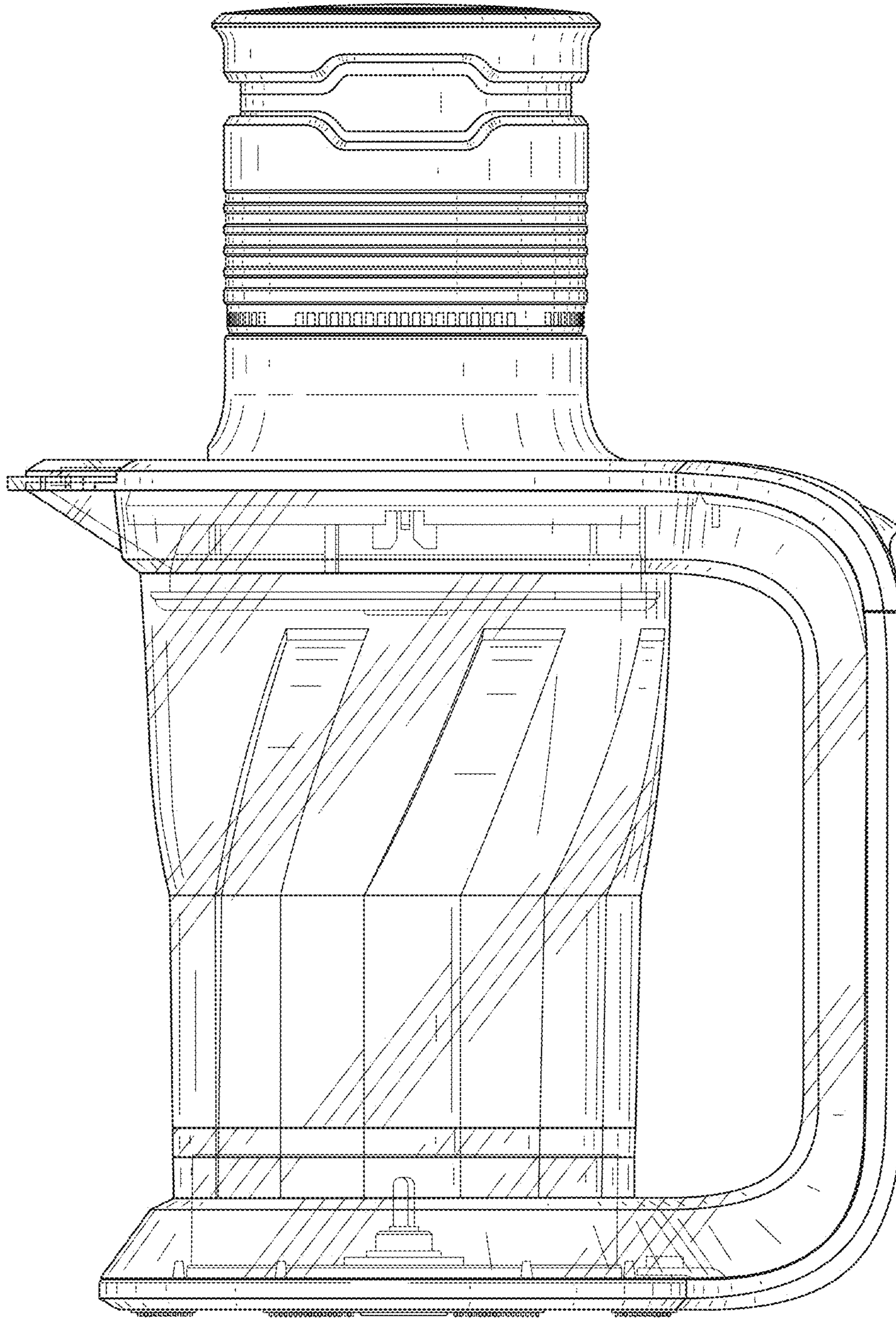


FIG. 1



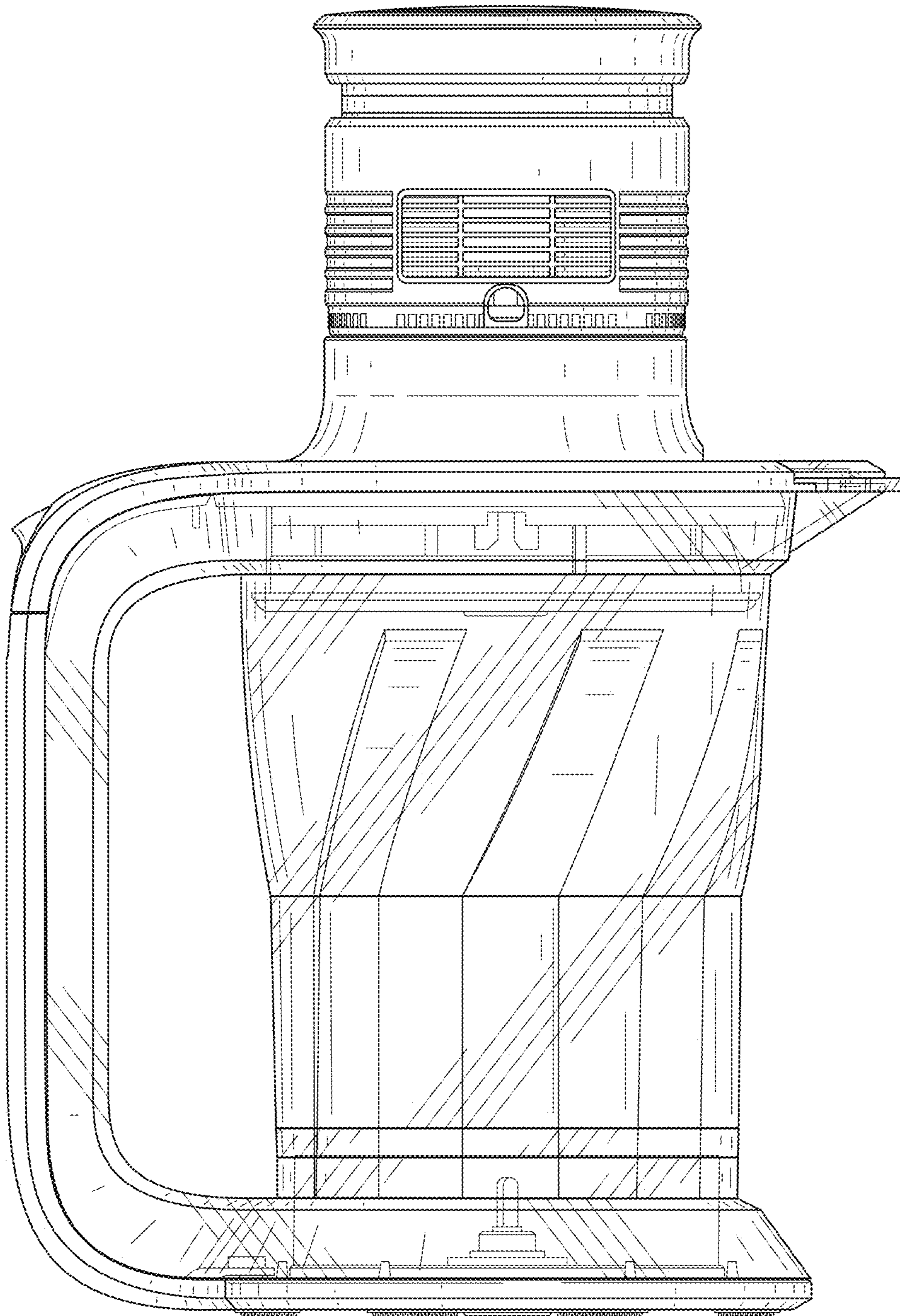


FIG. 3

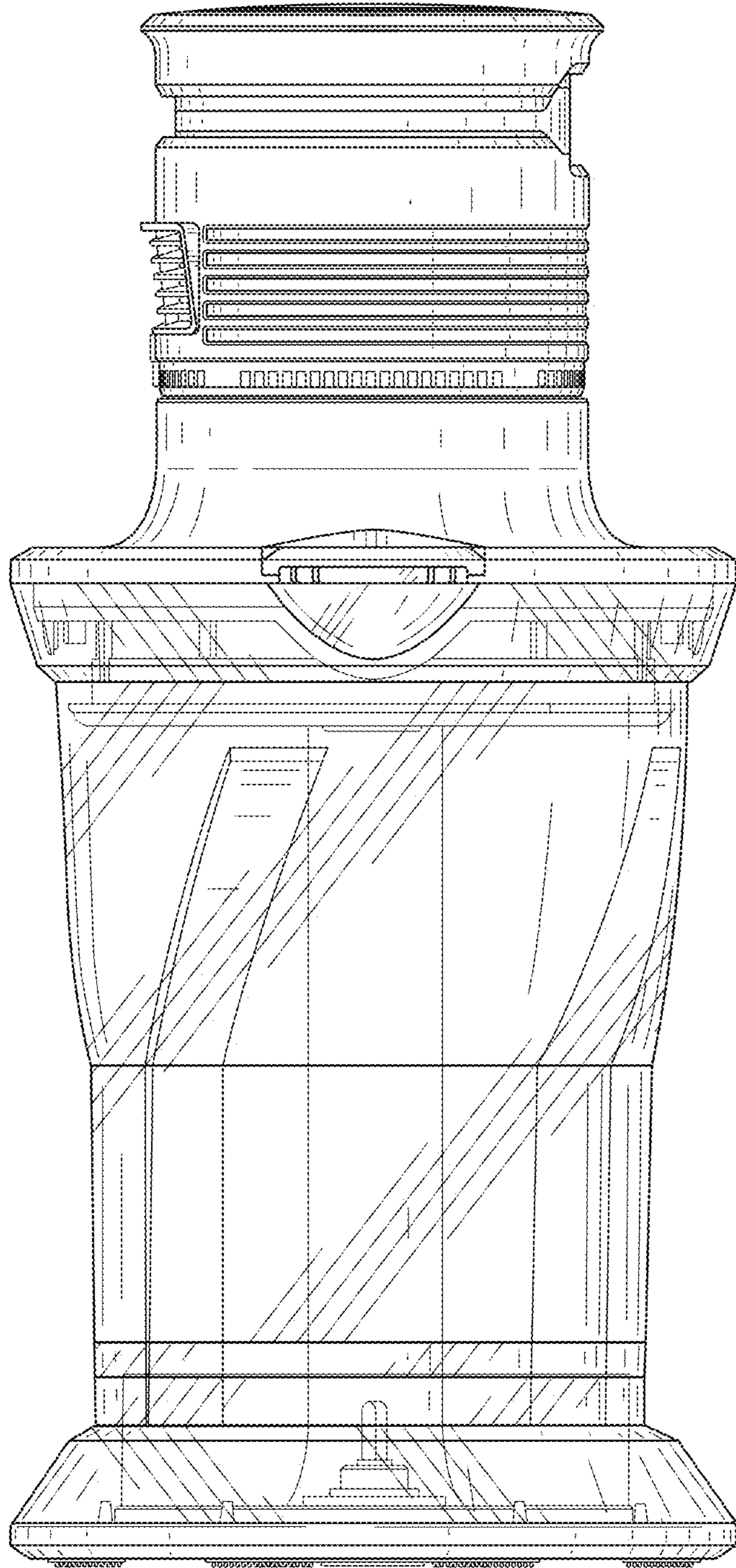


FIG. 4

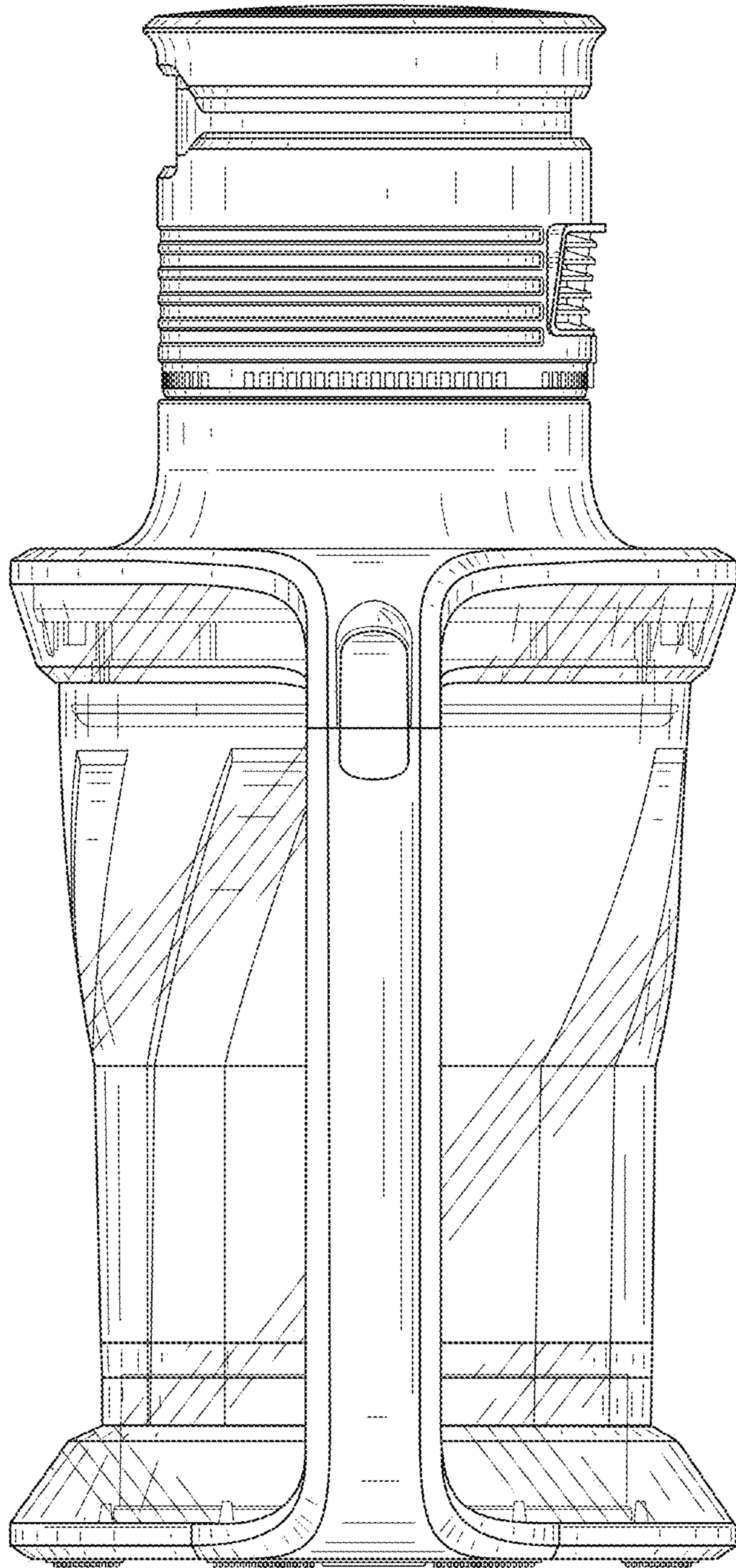


FIG. 5

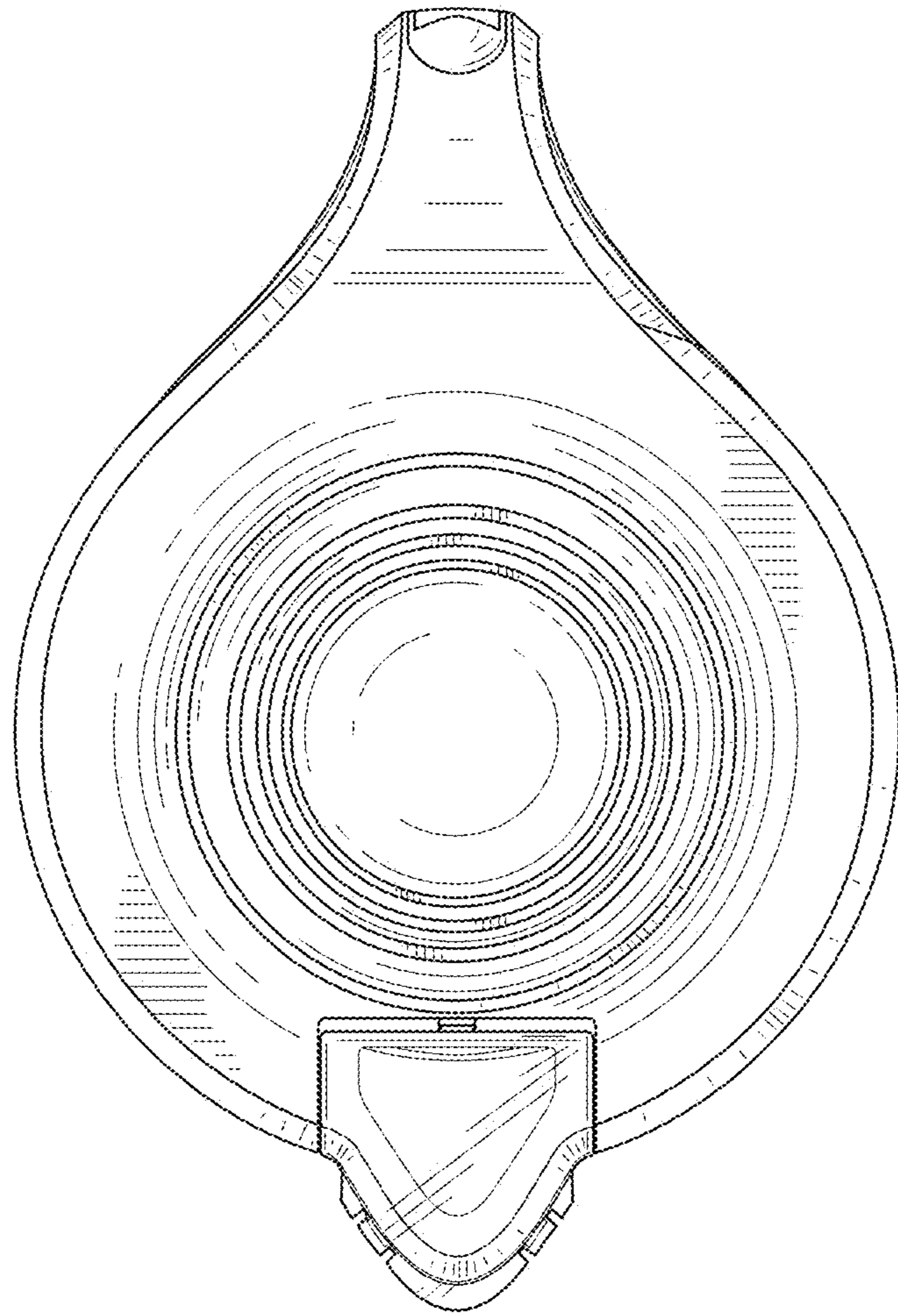


FIG. 6

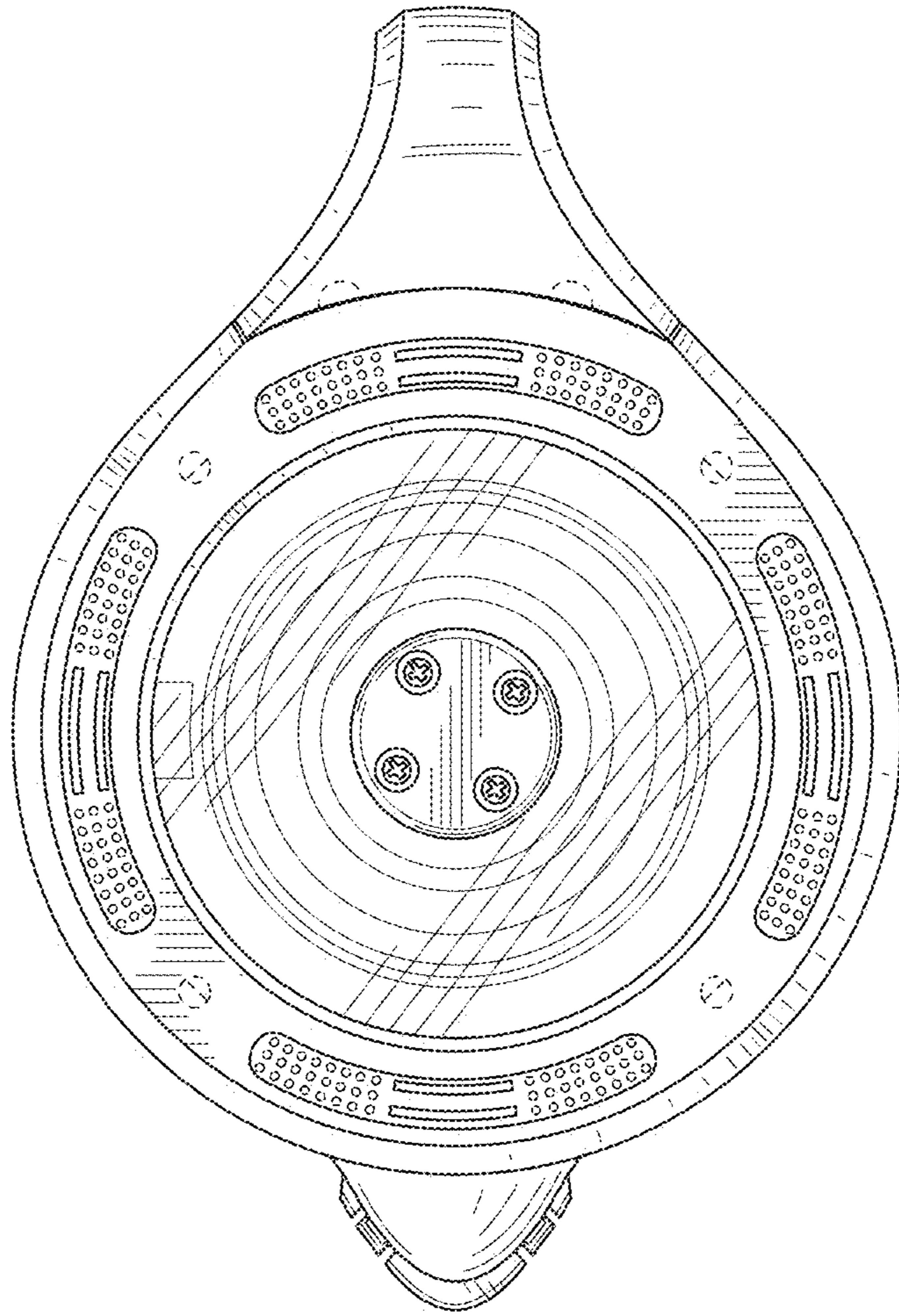


FIG. 7