



US00D891853S

(12) **United States Design Patent** (10) **Patent No.:** **US D891,853 S**  
**McConnell et al.** (45) **Date of Patent:** **\*\* Aug. 4, 2020**

(54) **GRINDER ATTACHMENT FOR A STAND MIXER**

2013/1807; B02C 2013/1857; B02C 2013/1864; B30B 9/00; B30B 9/16; B30B 9/18; B30B 9/20; B30B 9/26; B30B 9/205; B30B 9/207

(71) Applicant: **WHIRLPOOL CORPORATION**,  
Benton Harbor, MI (US)

See application file for complete search history.

(72) Inventors: **John W. McConnell**, St. Joseph, MI (US); **Nicholas Schutte**, St. Joseph, MI (US); **Anne Wessel**, St. Joseph, MI (US)

(56)

**References Cited**

U.S. PATENT DOCUMENTS

(73) Assignee: **Whirlpool Corporated**, Benton Harbor, MI (US)

(\*\*) Term: **15 Years**

(21) Appl. No.: **29/723,667**

(22) Filed: **Feb. 10, 2020**

62,184 A	2/1867	Coe	
100,280 A	3/1870	Gerhard	
243,035 A	6/1881	Geer	
256,214 A	4/1882	Heizmann	
256,800 A	4/1882	Holton	
273,418 A	3/1883	Whittemore	
310,196 A	1/1885	Goodell	
319,905 A	6/1885	Hudson	
360,527 A	4/1887	Hudson	
959,137 A	5/1910	Hinchliffe	
1,006,621 A	10/1911	Arnold	
1,008,555 A	11/1911	Mower	
1,826,242 A	10/1931	Dehuff	
1,956,492 A	4/1934	China	
2,001,036 A	5/1935	Prince	
2,056,843 A	10/1936	Erro	
2,125,859 A	8/1938	Liebelt	
2,146,710 A	2/1939	Bloomfield	
2,156,645 A	5/1939	Waller	
2,284,155 A	5/1942	Landgraf	
2,305,288 A	12/1942	Cavalleri	
2,409,067 A	10/1946	Reed	
2,410,683 A	11/1946	Marquez	
2,464,993 A	3/1949	Ross	
2,508,868 A	5/1950	Ross	
2,510,934 A	6/1950	Schildknecht	
2,585,255 A	2/1952	Kochner et al.	
2,600,281 A	6/1952	Stichelber	
2,664,002 A	12/1953	Anderson	
D173,029 S	9/1954	Green et al.	
2,693,210 A	11/1954	Gustafson	
2,699,737 A	1/1955	Stichelber	
2,722,114 A	11/1955	Kochner	
2,759,830 A	8/1956	Touceda	
2,794,627 A	6/1957	Rodwick	
D181,157 S *	10/1957	Madl	D7/372
2,905,452 A	9/1959	Appleton	
D186,728 S *	11/1959	Talge	D7/372
2,946,299 A	7/1960	Clifford	
D192,704 S	5/1962	Giunta	
3,180,627 A	4/1965	Belonga	
3,211,202 A	10/1965	Mason	

**Related U.S. Application Data**

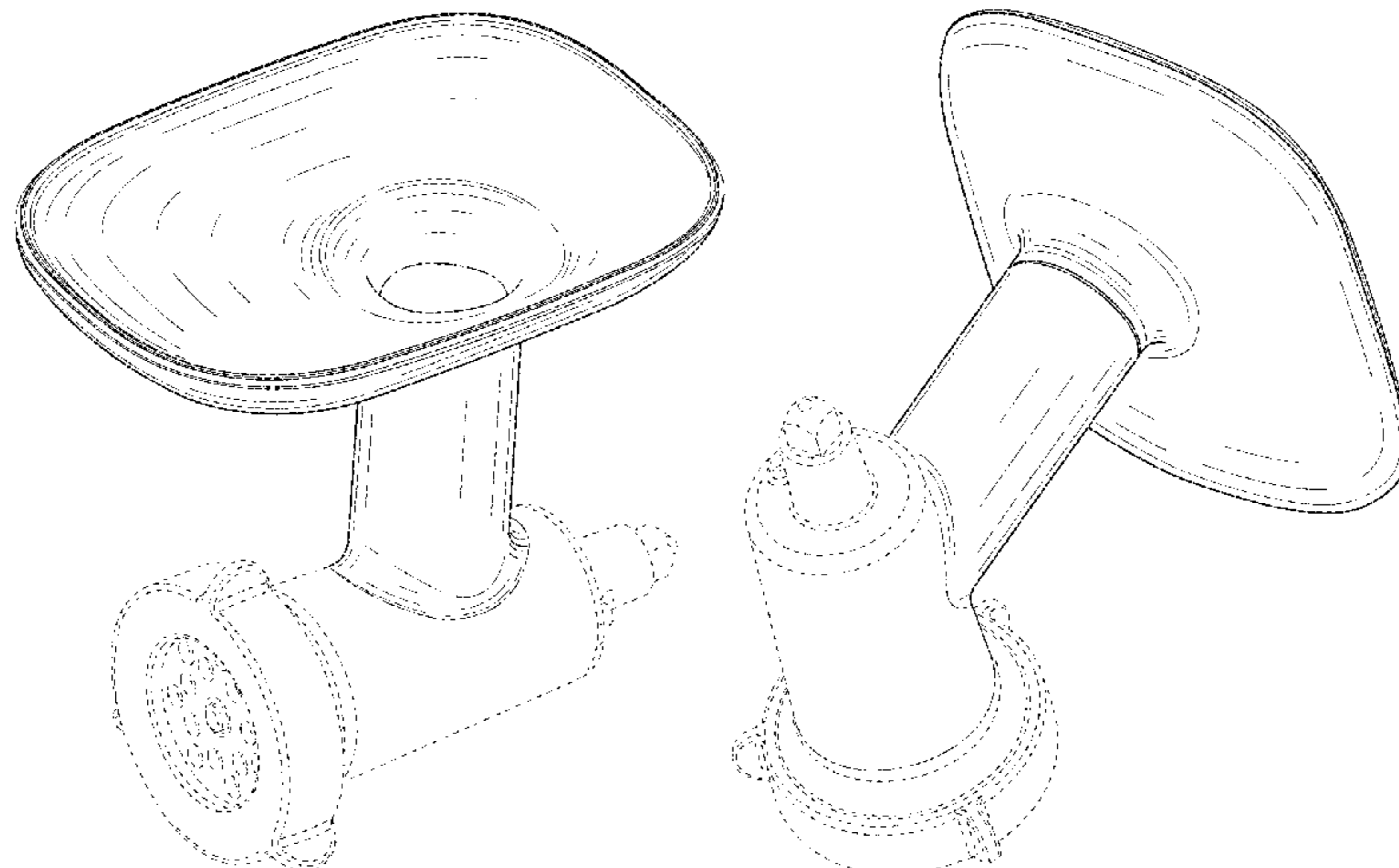
(60) Continuation of application No. 29/705,144, filed on Sep. 10, 2019, now Pat. No. Des. 878,146, which is a division of application No. 29/621,122, filed on Oct. 4, 2017, now Pat. No. Des. 867,051.

(51) **LOC (12) Cl.** ..... **31-00**

(52) **U.S. Cl.**  
USPC ..... **D7/372**

(58) **Field of Classification Search**  
USPC ..... D7/372, 376-386, 665-666, 669, D7/678-679, 693-694

CPC ..... A01F 2015/07; A01F 2015/077; A01F 2015/0775; A23N 1/00; A23N 1/02; A47J 19/00; A47J 19/005; A47J 19/02; A47J 19/025; A47J 19/04; A47J 19/06; A47J 42/32; A47J 42/34; A47J 42/36; A47J 43/044; A47J 43/25; A47J 43/255; B01F 7/26; B01F 7/28; B01F 11/0082; B01F 13/04; B02C 13/00; B02C 13/02; B02C 13/10; B02C 18/06; B02C 18/26; B02C 18/30; B02C 18/301-302; B02C 18/304; B02C 18/305; B02C 25/00; B02C 2002/00; B02C 2013/00; B02C 2013/14; B02C 2013/145; B02C 2013/18; B02C



# US D891,853 S

3,220,450 A	11/1965	Aronson, II et al.	5,957,045 A	9/1999	He et al.
3,268,342 A	8/1966	Yatuni	D414,983 S	10/1999	Wong
3,357,469 A	12/1967	Pease et al.	6,024,554 A	2/2000	Lawrence
3,440,150 A	4/1969	Kramer et al.	6,035,766 A	3/2000	Schirmer
RE26,684 E	10/1969	Mason	6,053,098 A	4/2000	Yamamoto
D222,209 S *	10/1971	Dykes ..... D7/372	6,113,966 A	9/2000	Belongia et al.
3,635,147 A	1/1972	Lee	6,148,169 A	11/2000	Tsukamoto
3,838,023 A	9/1974	Friedemann	6,163,095 A	12/2000	Shams et al.
D233,123 S	10/1974	Rigamonti	6,188,046 B1	2/2001	Barrow
3,883,283 A	5/1975	Herrera	D444,669 S	7/2001	Prot
D236,283 S *	8/1975	McCue ..... D7/372	6,259,068 B1	7/2001	Barrow
D236,425 S	8/1975	McCue	6,270,826 B1	8/2001	Kashulines, Jr. et al.
3,952,621 A	4/1976	Chambos	6,297,479 B1	10/2001	Wefers
3,956,517 A	5/1976	Curry et al.	6,321,641 B1	11/2001	Wang
3,960,369 A	6/1976	Sommer	6,373,031 B1	4/2002	Barrow
4,078,481 A	3/1978	Wunderlin	6,442,866 B2	9/2002	Wefers
4,083,756 A	4/1978	Tajkowski	D475,253 S	6/2003	Yip
4,213,569 A	7/1980	Amiot	6,609,455 B2	8/2003	Fouquet
4,216,917 A	8/1980	Clare et al.	D484,738 S	1/2004	Wong
4,234,605 A	11/1980	Takeuchi	6,698,338 B2	3/2004	Ancona et al.
4,277,181 A	7/1981	Stahly et al.	6,743,007 B2	6/2004	Backus et al.
D260,351 S	8/1981	Shun	D495,921 S	9/2004	Lallemand
4,332,539 A	6/1982	Zani	6,805,312 B2	10/2004	Capp
4,337,000 A	6/1982	Lehmann	6,854,383 B2	2/2005	Wang
4,348,166 A	9/1982	Fowler	6,948,609 B2	9/2005	Finger et al.
4,390,133 A	6/1983	Wanat	7,029,714 B2	4/2006	Mihalos et al.
4,429,624 A	2/1984	Linn	7,032,491 B2	4/2006	Fischer
D276,202 S	11/1984	Shun	7,063,009 B2	6/2006	Lin
4,487,509 A	12/1984	Boyce	7,083,040 B2	8/2006	Finger et al.
4,512,522 A	4/1985	Williams	D531,850 S	11/2006	Wong
4,569,851 A	2/1986	Schultz	7,169,450 B2	1/2007	Bunick
4,581,990 A	4/1986	Matsumoto	7,207,510 B2	4/2007	Wong
4,619,192 A	10/1986	Cycyk et al.	7,238,017 B2	7/2007	Marcato
4,628,808 A	12/1986	Simon	D551,493 S	9/2007	Marcato
4,649,810 A	3/1987	Wong	D553,427 S	10/2007	Ball
4,693,610 A	9/1987	Weiss	7,314,308 B2	1/2008	Fallowes et al.
4,704,959 A	11/1987	Scallen	7,318,666 B1	1/2008	Lin
4,714,203 A	12/1987	Williams	7,461,589 B2	12/2008	Sinton
4,770,619 A	9/1988	Rijkaart	D610,396 S	2/2010	Chiang
D300,400 S	3/1989	Kelly et al.	7,775,705 B2	8/2010	Kozlowski et al.
4,817,512 A	4/1989	Vangen	7,827,906 B1	11/2010	Carter
4,820,054 A	4/1989	Wong	7,887,314 B2	2/2011	Ruhe et al.
4,854,717 A	8/1989	Crane et al.	D643,265 S *	8/2011	Kim ..... D7/665
4,878,627 A	11/1989	Otto	7,993,694 B2	8/2011	Goderiaux et al.
4,942,807 A	7/1990	Wong	8,122,821 B2	2/2012	Sands
4,959,517 A	9/1990	Jump et al.	8,162,653 B2	4/2012	Marcato
4,984,512 A	1/1991	Takahashi et al.	D660,660 S *	5/2012	Kim ..... D7/666
5,022,315 A	6/1991	Bertram et al.	8,210,737 B2	7/2012	Wong
5,054,383 A	10/1991	Cho	D669,324 S	10/2012	Bodum
5,091,046 A	2/1992	Hunter et al.	D670,138 S *	11/2012	Hu ..... D7/665
5,272,961 A	12/1993	Campbell et al.	D677,975 S	3/2013	Jin et al.
5,289,760 A	3/1994	Barradas	8,438,971 B1	5/2013	Thurley
5,363,746 A	11/1994	Gordon	D683,577 S	6/2013	Cohen
5,402,710 A	4/1995	Chen	D684,827 S *	6/2013	Kim ..... D7/665
D362,597 S	9/1995	Kim	D698,210 S *	1/2014	Lavy ..... D7/665
5,460,506 A	10/1995	Price, IV et al.	D712,696 S	9/2014	Huber et al.
5,463,937 A	11/1995	Belongia et al.	D715,094 S	10/2014	Cornu et al.
5,469,782 A	11/1995	Wong	D721,548 S	1/2015	Jin
5,470,599 A	11/1995	Ruhe	D721,549 S	1/2015	Li
5,486,100 A	1/1996	Hsu	D725,440 S	3/2015	Kim
5,486,665 A	1/1996	Le Rouzic	D747,916 S	1/2016	Wong
5,493,955 A	2/1996	Belongia et al.	9,500,235 B2	11/2016	Kanning
5,513,557 A	5/1996	Chiang	D775,491 S	1/2017	Brinkley et al.
D370,383 S	6/1996	Brefka	D790,918 S	7/2017	Benoit et al.
5,558,011 A	9/1996	Heim	9,775,467 B2	10/2017	Sapire
D376,736 S	12/1996	Kim	D811,158 S	2/2018	Yuan
5,690,022 A	11/1997	Chai	D867,051 S *	11/2019	McConnell ..... D7/372
5,758,963 A	6/1998	Xie et al.	D868,530 S *	12/2019	Zhan ..... D7/372
5,770,239 A	6/1998	Ancona	2001/0019778 A1	9/2001	Gardaz et al.
5,771,784 A	6/1998	Sham	2001/0028909 A1	10/2001	Kashulines, Jr. et al.
5,786,016 A	7/1998	Campbell et al.	2001/0032856 A1	10/2001	Casey
5,816,136 A	10/1998	Stallings	2002/0006464 A1	1/2002	Wefers
5,823,675 A	10/1998	Myerly	2002/0181322 A1	12/2002	Brunswick et al.
5,839,356 A	11/1998	Dornbush et al.	2004/0001387 A1	1/2004	Haller et al.
RE36,155 E	3/1999	Scallen	2004/0145965 A1	7/2004	Chan et al.
5,878,643 A	3/1999	Hwang	2005/0058018 A1	3/2005	Hooper et al.
5,919,493 A	7/1999	Sheppard et al.	2005/0120888 A1	6/2005	Wang
5,935,656 A	8/1999	Koerner et al.	2005/0257692 A1	11/2005	Marcato
5,950,528 A	9/1999	Wang	2006/0044935 A1	3/2006	Benelli et al.

2006/0117961	A1	6/2006	Guo	
2006/0254429	A1	11/2006	Sinton	
2008/0213447	A1	9/2008	Payen et al.	
2008/0271609	A1	11/2008	Pahl et al.	
2009/0090254	A1	4/2009	Herren	
2009/0120301	A1	5/2009	Severnak	
2009/0310436	A1	12/2009	Huang et al.	
2010/0012639	A1	1/2010	Merrell et al.	
2010/0028514	A1	2/2010	Goderiaux et al.	
2010/0147160	A1	6/2010	Oochi	
2010/0196529	A1	8/2010	Marcato	
2010/0308142	A1	12/2010	Krasznaï et al.	
2011/0017750	A1	1/2011	Fortkamp	
2011/0063941	A1	3/2011	Seidler et al.	
2011/0185917	A1	8/2011	Goderiaux et al.	
2011/0214574	A1	9/2011	Chang	
2011/0248108	A1	10/2011	Carriere	
2012/0042786	A1	2/2012	Fedell	
2012/0138716	A1	6/2012	Taguchi et al.	
2012/0227592	A1*	9/2012	Lim .....	A47J 19/025 99/486
2013/0074700	A1	3/2013	Cheung	
2015/0000534	A1	1/2015	Hager et al.	
2015/0098299	A1	4/2015	Sapire	
2015/0201787	A1	7/2015	Holzbauer et al.	
2015/0238042	A1	8/2015	Tonelli et al.	
2016/0332166	A1	11/2016	Chen	
2018/0099289	A1*	4/2018	Moore .....	B02C 18/301

FOREIGN PATENT DOCUMENTS

DE	202010012730	U1	12/2010
EP	0405636	B1	9/1993
EP	1230857	A1	8/2002
EP	1430824	A1	6/2004
EP	2269491	A1	1/2011
EP	2508110	A1	10/2012
FI	943990	A	8/1994
FR	2447703		8/1980
FR	2939298	A1	6/2010
JP	6211066	A	1/1987
JP	2010029103	A	2/2010

WO	9415511	A1	7/1994
WO	2009016465	A2	2/2009
WO	2009141699	A2	11/2009

OTHER PUBLICATIONS

“Fulfilling Finishing Needs in the Auto Industry”; Electro Polish; Black Oxide, Aluminum Anodizing, Passivation; Dayton, Ohio; pp. 1-3; 2013.

Charles A. Grubbs; “Anodizing of Aluminum”; Consultant, Alpharetta, GA.; pp. 478-493; date unknown.

\* cited by examiner

*Primary Examiner* — Ricky Pham

(74) *Attorney, Agent, or Firm* — Price Heneveld LLP

(57)

**CLAIM**

The ornamental design for a grinder attachment for a stand mixer, as shown and described.

**DESCRIPTION**

FIG. 1 is a top-front perspective view of a grinder attachment for a stand mixer according to our design; FIG. 2 is a bottom-back perspective view thereof; FIG. 3 is a front elevation view thereof; FIG. 4 is a back elevation view thereof; FIG. 5 is a right side elevation view thereof; FIG. 6 is a left side elevation view thereof; FIG. 7 is a top plan view thereof; and, FIG. 8 is a bottom plan view thereof.

Broken lines show portions of the article that form no part of the claimed design.

Dash-dot lines represent bounds of the claimed design and form no part of the claimed design.

**1 Claim, 8 Drawing Sheets**

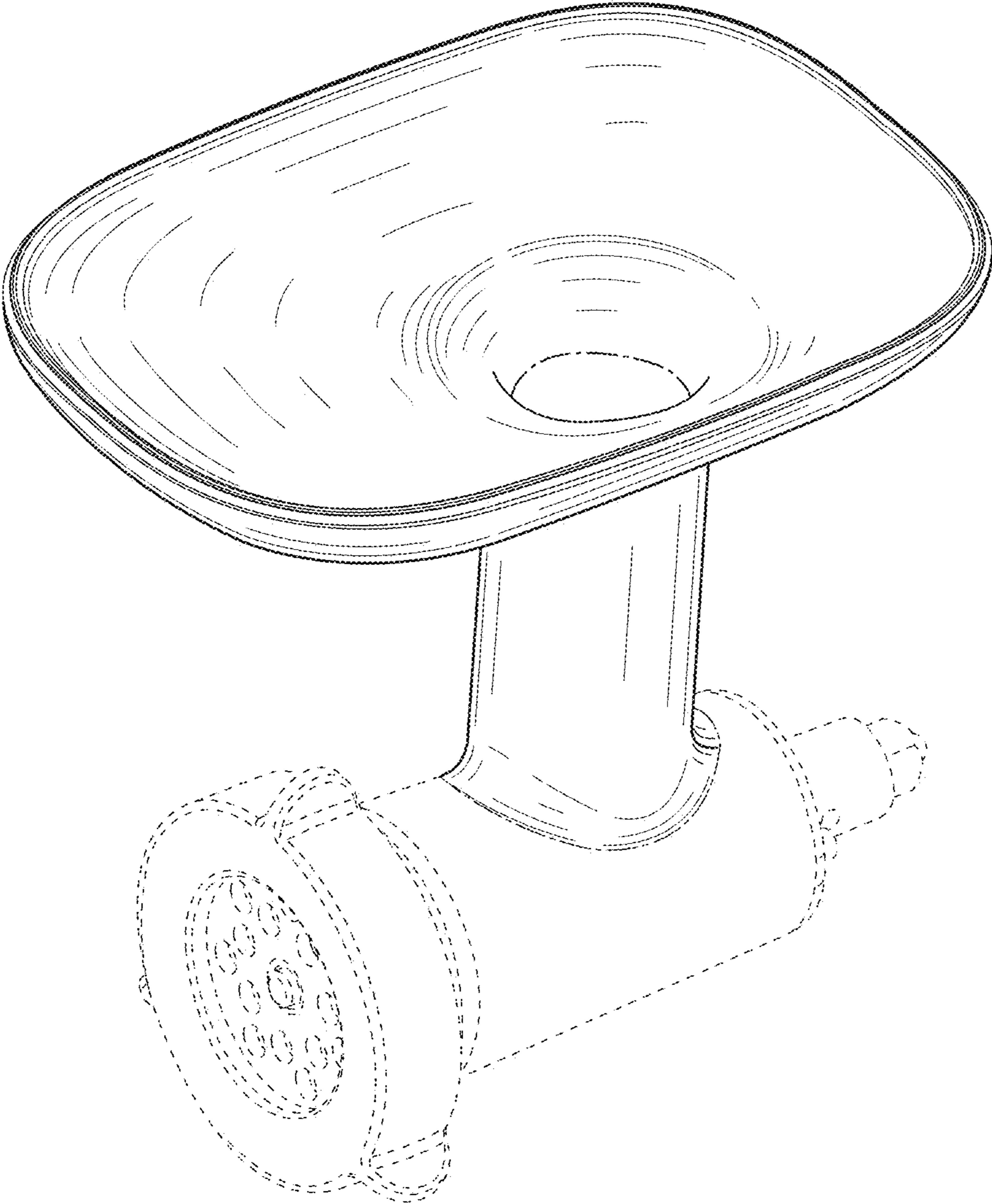


FIG. 1

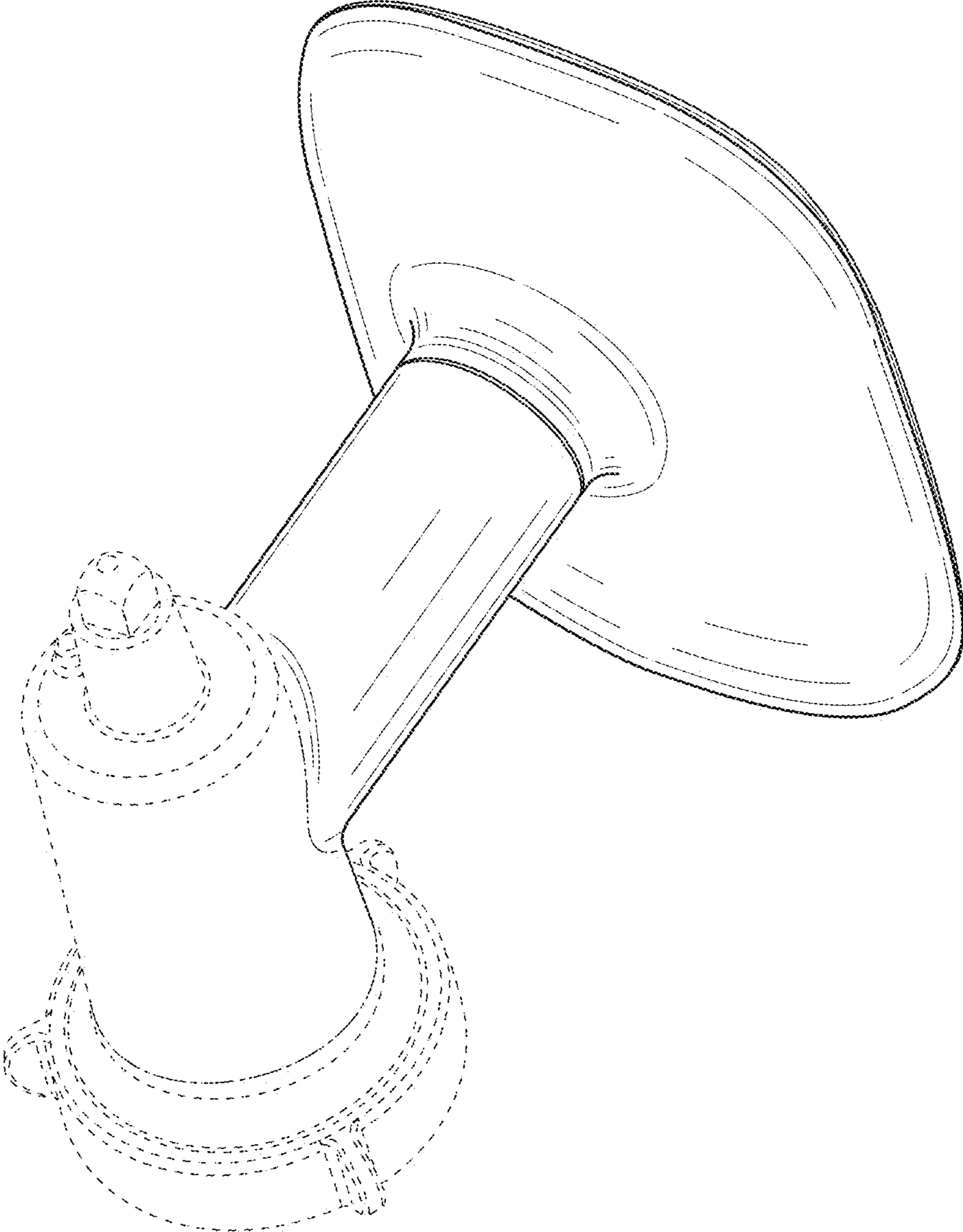


FIG. 2

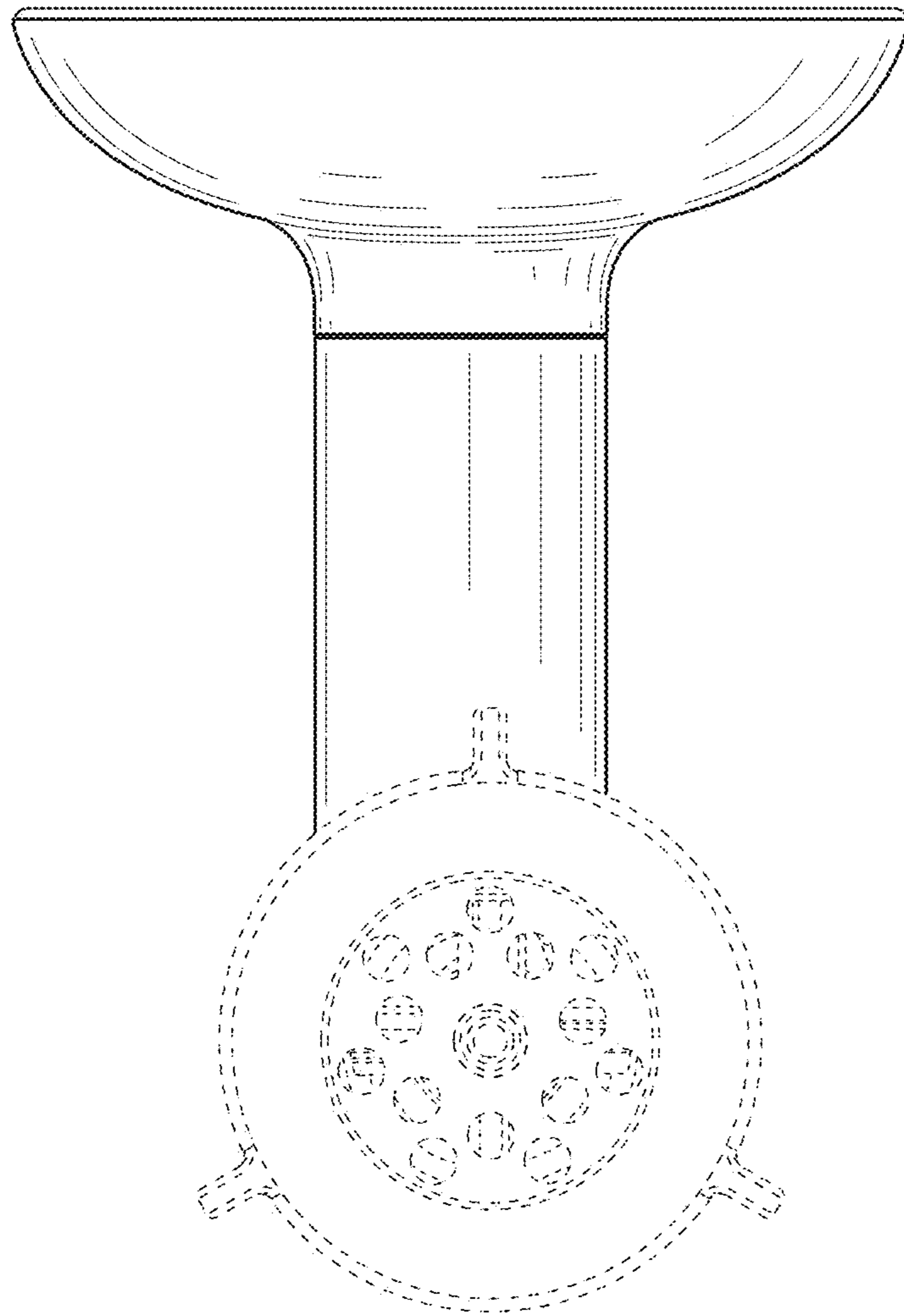


FIG. 3

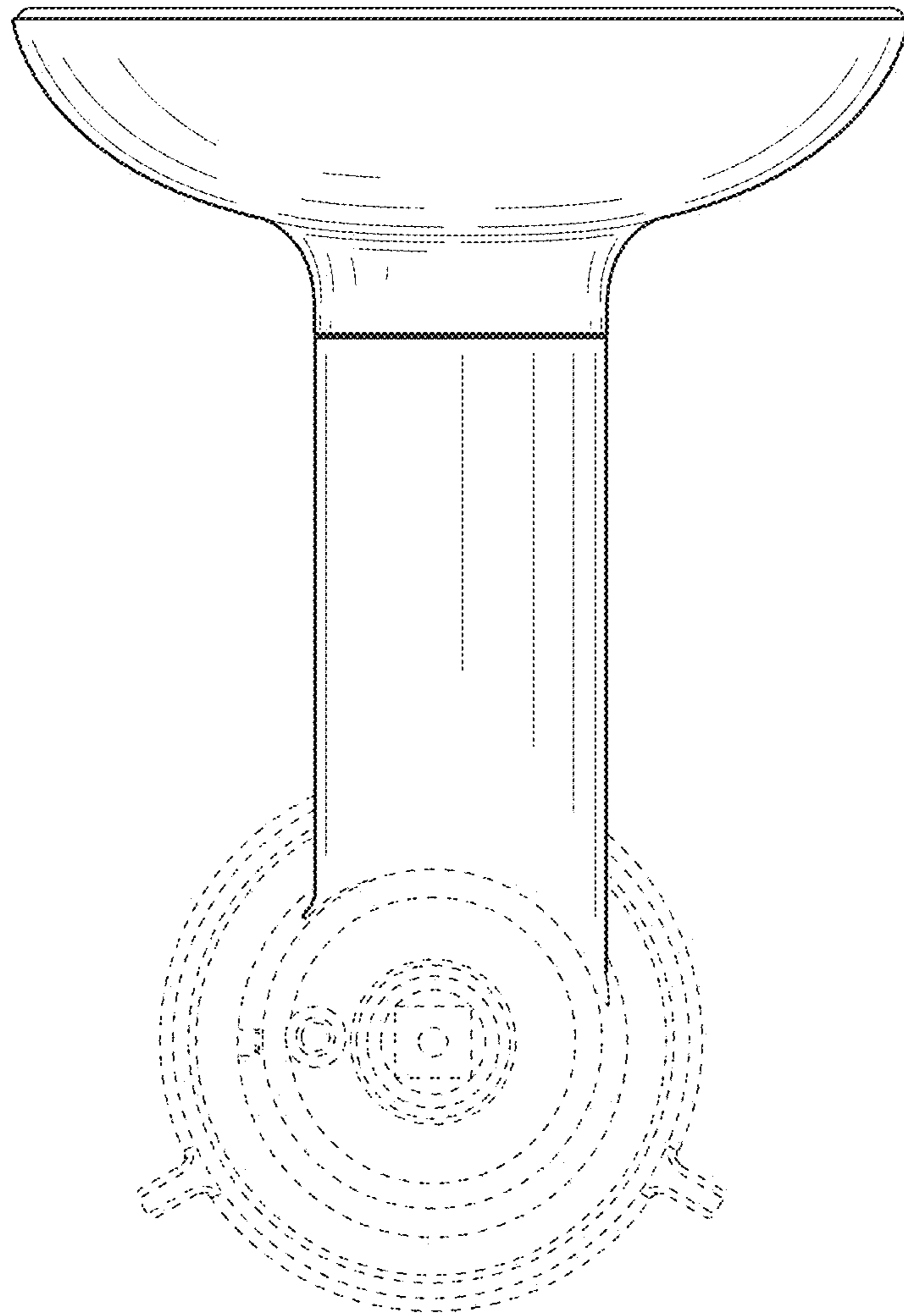


FIG. 4

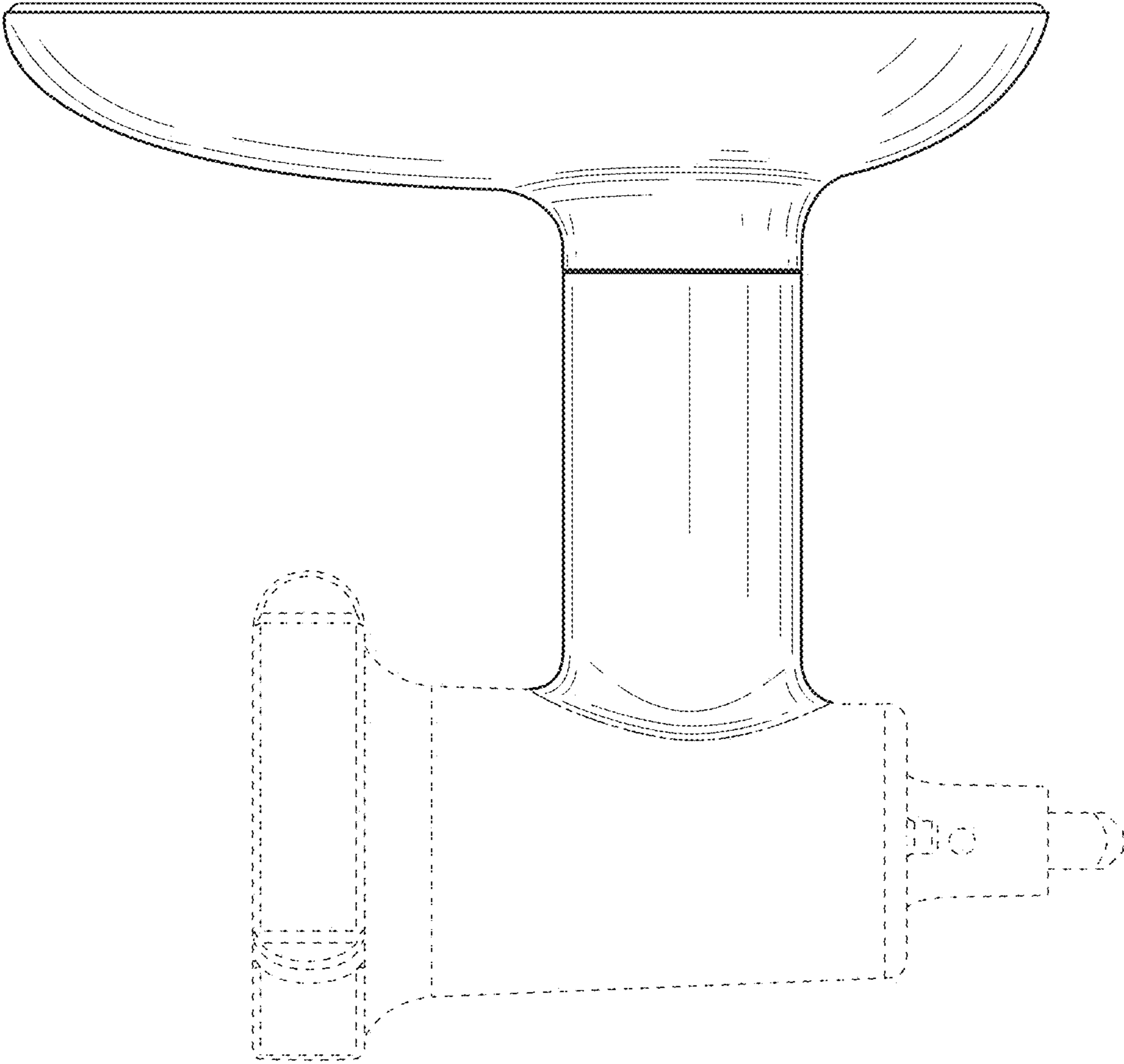


FIG. 5



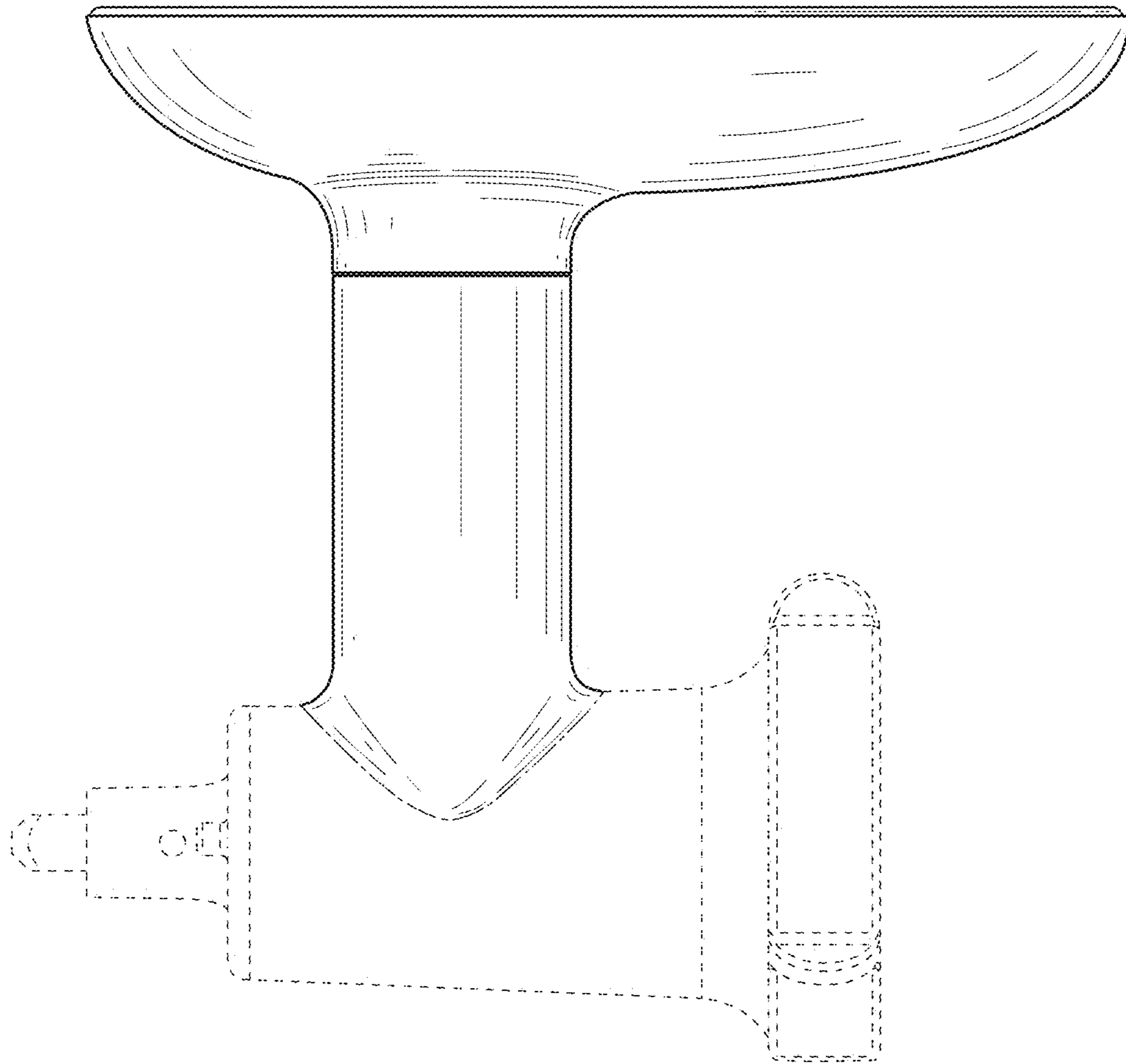
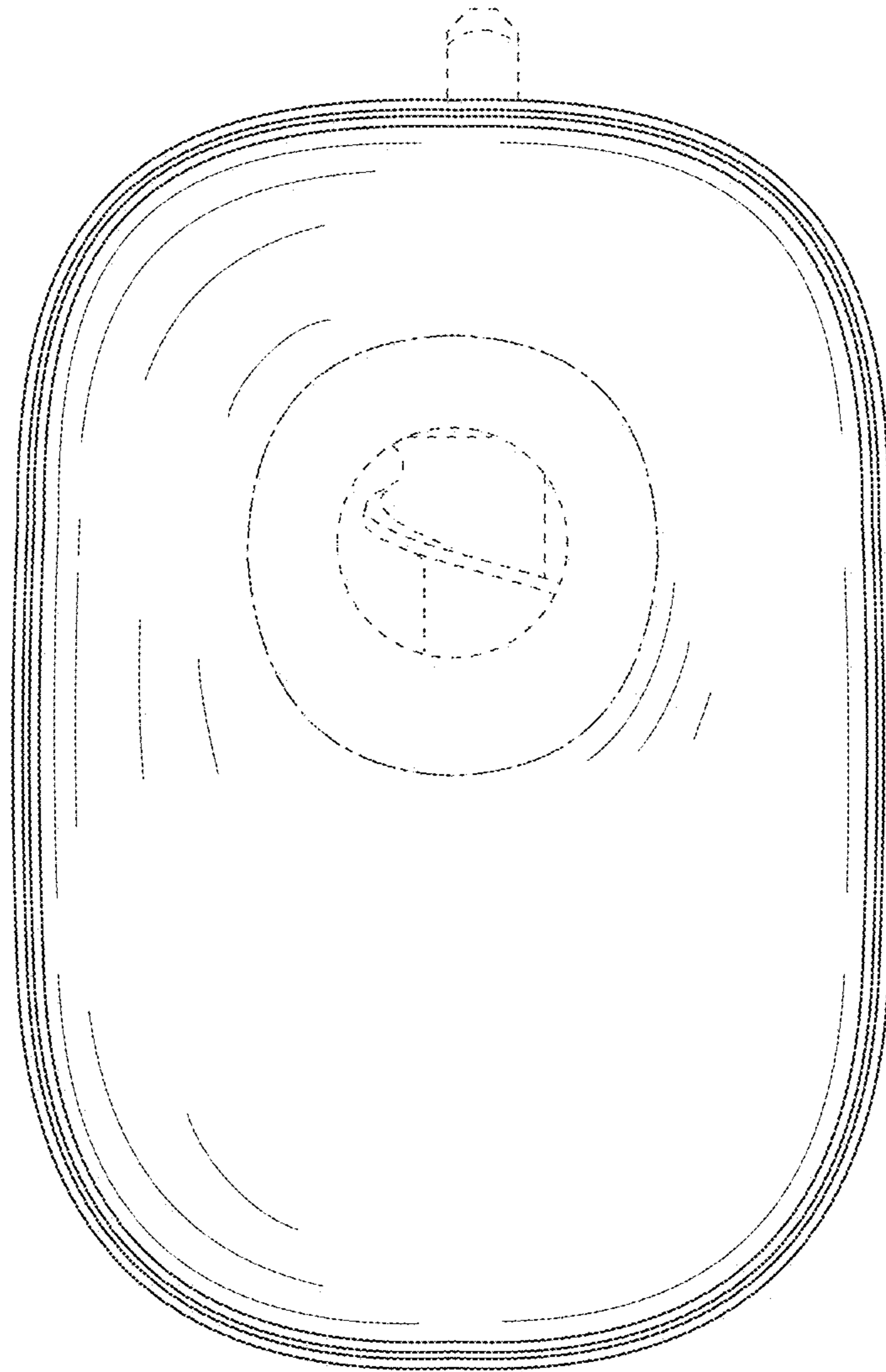


FIG. 6



**FIG. 7**

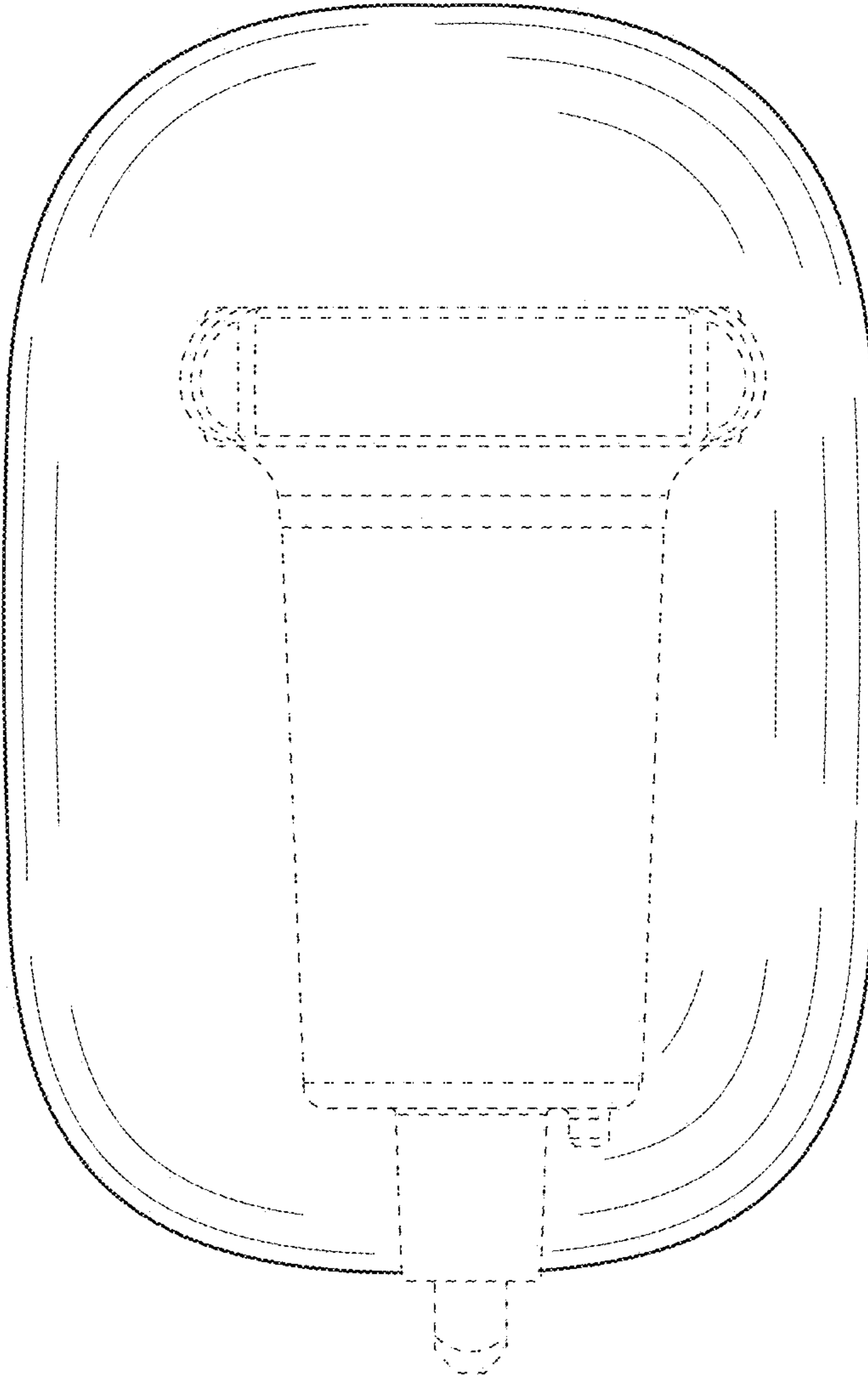


FIG. 8