



US00D891852S

(12) **United States Design Patent** (10) **Patent No.:** **US D891,852 S**
Halasinski et al. (45) **Date of Patent:** **** Aug. 4, 2020**

(54) **COOKING PAN**
(71) Applicant: **SMOKE STAXX PANS LLC**, Canton, OH (US)
(72) Inventors: **Brian Halasinski**, Canton, OH (US);
Kirk W. Hyust, Canton, OH (US);
Karl H. Beitzel, Canton, OH (US)
(73) Assignee: **HALL OF FAME INNOVATIONS LLC**, Canton, OH (US)
(**) Term: **15 Years**
(21) Appl. No.: **29/674,257**
(22) Filed: **Dec. 20, 2018**
(51) **LOC (12) Cl.** **07-02**
(52) **U.S. Cl.**
USPC **D7/359**; D7/354
(58) **Field of Classification Search**
USPC D3/312, 314, 321; D7/323, 352,
D7/354-361, 543, 545, 549, 550.1,
D7/553.1-553.8, 554.1-554.4, 555, 584,
D7/586; D9/430-433, 455-456, 737,
D9/756-762
CPC A21B 3/00; A21B 3/13; A21B 3/15; A21B
3/134; A21B 5/00; A21B 5/02; A47J
36/022; A47J 36/025; A47J 36/027; A47J
37/00; A47J 37/04; B65D 1/22; B65D
1/24; B65D 1/34; B65D 1/36; B65D
21/0212; B65D 25/005; B65D 43/164;
B65D 81/343; B65D 81/3484; B65D
85/36
See application file for complete search history.

(56) **References Cited**
U.S. PATENT DOCUMENTS

2,198,106 A 4/1940 Chandonia
2,742,181 A 4/1956 Jarund
2,889,072 A 6/1959 Lapham

3,013,692 A 12/1961 Chesley
3,191,796 A 6/1965 Schwartz et al.
3,380,625 A 4/1968 Kreeger
3,387,621 A 6/1968 Schaff
3,392,875 A 7/1968 Bockenstette
3,403,788 A 10/1968 Kreeger
3,421,656 A 1/1969 Asenbauer
3,580,164 A 5/1971 Baker
3,613,943 A 10/1971 Bridenstine
3,840,115 A 10/1974 Lapewig
3,871,357 A * 3/1975 Grosso B65D 81/3484
126/263.09
3,907,111 A 9/1975 Levenhagen
3,934,724 A 1/1976 Johnson
4,316,540 A 2/1982 Lapham
4,417,509 A 11/1983 Deibel et al.
4,522,301 A 6/1985 Ajmera
4,616,762 A 10/1986 Alexander
4,759,451 A 7/1988 Apps
D320,298 S * 9/1991 Apps D3/312
(Continued)

FOREIGN PATENT DOCUMENTS

WO 03086882 A1 10/2003

Primary Examiner — Ricky Pham
(74) *Attorney, Agent, or Firm* — Hudak, Shunk & Farine Co. LPA

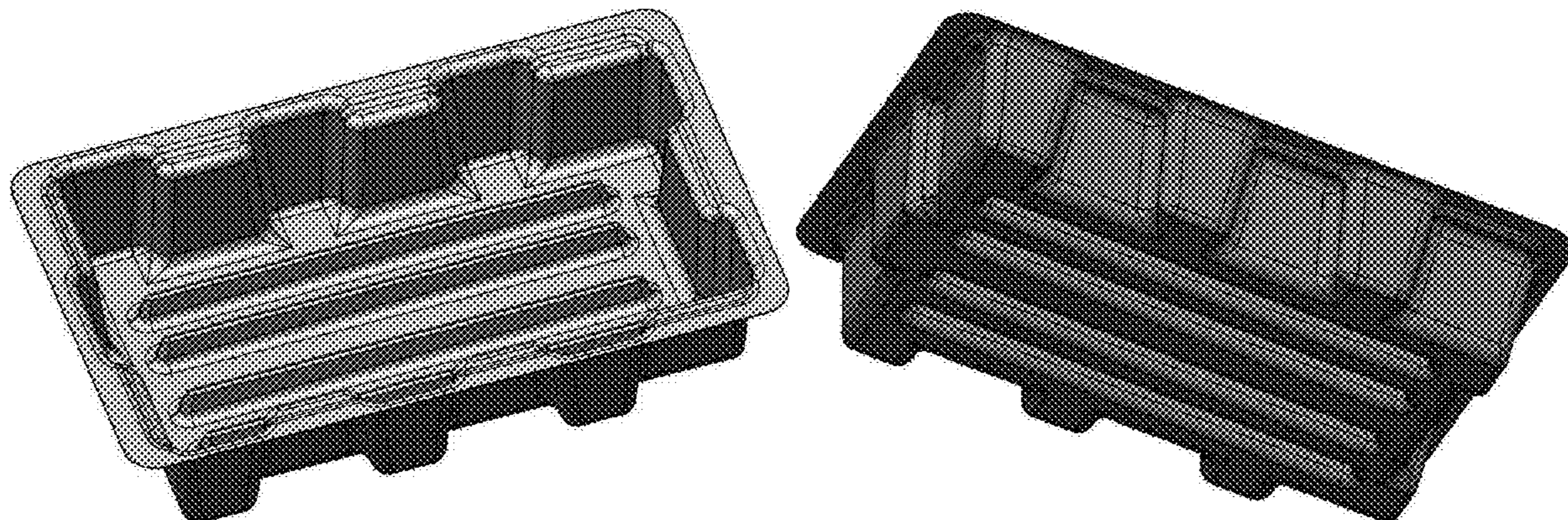
(57) **CLAIM**

The ornamental design for a “cooking pan”, as shown and described.

DESCRIPTION

FIG. 1 is a top view of a cooking pan having a rectangular configuration;
FIG. 2 is a side view thereof;
FIG. 3 is a bottom view thereof;
FIG. 4 is a side view thereof, turned 90° from the view shown in FIG. 9;
FIG. 5 is a top left side perspective view thereof; and,
FIG. 6 is a bottom left side perspective view thereof.

1 Claim, 6 Drawing Sheets



(56)

References Cited

U.S. PATENT DOCUMENTS

5,163,587 A *	11/1992	Apps	B65D 21/0212 206/505	D447,944 S	9/2001	Justice	
D336,613 S	6/1993	Zutler		6,325,282 B1	12/2001	Kanter et al.	
5,228,569 A	7/1993	House		6,367,630 B1	4/2002	Elskamp	
5,228,826 A	7/1993	Bryde-Hansen		6,425,824 B1	7/2002	Baerlocher	
5,295,580 A	3/1994	Hicks		D466,413 S	12/2002	Justice	
5,316,207 A	5/1994	Ross et al.		6,513,705 B1	2/2003	Sheffer	
D348,343 S *	6/1994	Lang-Ree	D3/321	6,522,018 B1	2/2003	Tay	
5,369,932 A	12/1994	Passero		6,581,772 B2	6/2003	Noland	
5,390,970 A	2/1995	Gray		6,588,612 B1	7/2003	Dorn et al.	
5,454,470 A	10/1995	Bricker		6,598,785 B2	7/2003	Quaintance	
D365,729 S	1/1996	Wold		6,612,073 B1	9/2003	Powell et al.	
5,499,715 A	3/1996	Nemeth		6,629,605 B2	10/2003	Frohn	
5,542,206 A	8/1996	Lisch		6,729,472 B2	5/2004	Stucke et al.	
5,544,751 A	8/1996	Klodt et al.		6,749,107 B2	6/2004	Quaintance	
5,555,996 A *	9/1996	Lang-Ree	B65D 43/164 206/505	D502,045 S *	2/2005	Isler	D7/354
5,566,998 A	10/1996	Gray		D505,788 S	6/2005	Sorrenti et al.	
5,577,440 A	11/1996	Marie		6,959,811 B1	11/2005	Hoover	
D380,299 S	7/1997	Schlaeger et al.		6,986,829 B2	1/2006	Gehr et al.	
5,657,871 A	8/1997	Waters et al.		7,014,043 B2	3/2006	Raghunathan et al.	
5,678,715 A	10/1997	Sjostedt et al.		7,017,745 B2	3/2006	Raghunathan	
5,762,195 A	6/1998	Stevens		7,032,773 B2	4/2006	Dees et al.	
5,779,051 A	7/1998	Boutin		7,258,905 B2	8/2007	Whitmore et al.	
5,820,908 A	10/1998	Li		7,347,654 B2	3/2008	Mondejar Jimenez	
5,916,078 A	6/1999	Herrin		7,422,124 B2	9/2008	Norris, Jr.	
5,938,015 A	8/1999	Candy		7,431,171 B2	10/2008	Lamarche	
6,048,163 A	4/2000	Atkinson		7,464,817 B2	12/2008	Raghunathan et al.	
D428,332 S	7/2000	Knutson		7,617,947 B2 *	11/2009	Schafer	B65D 25/005 220/558
6,158,653 A	12/2000	Kanter et al.		7,837,036 B2	11/2010	Davis	
6,161,887 A	12/2000	Shiota et al.		D663,525 S *	7/2012	Rhoades	D3/314
6,183,453 B1	2/2001	Swisher		D836,379 S *	12/2018	Lee	D7/352
6,237,775 B1	5/2001	Hatch et al.		D839,656 S *	2/2019	Patel	D7/359
6,267,550 B1	7/2001	Morgan		D840,803 S *	2/2019	Poorman	D9/431
				D873,066 S *	1/2020	Amirault	D7/354
				2002/0000442 A1 *	1/2002	Howard	A47J 36/027 220/573.1

* cited by examiner

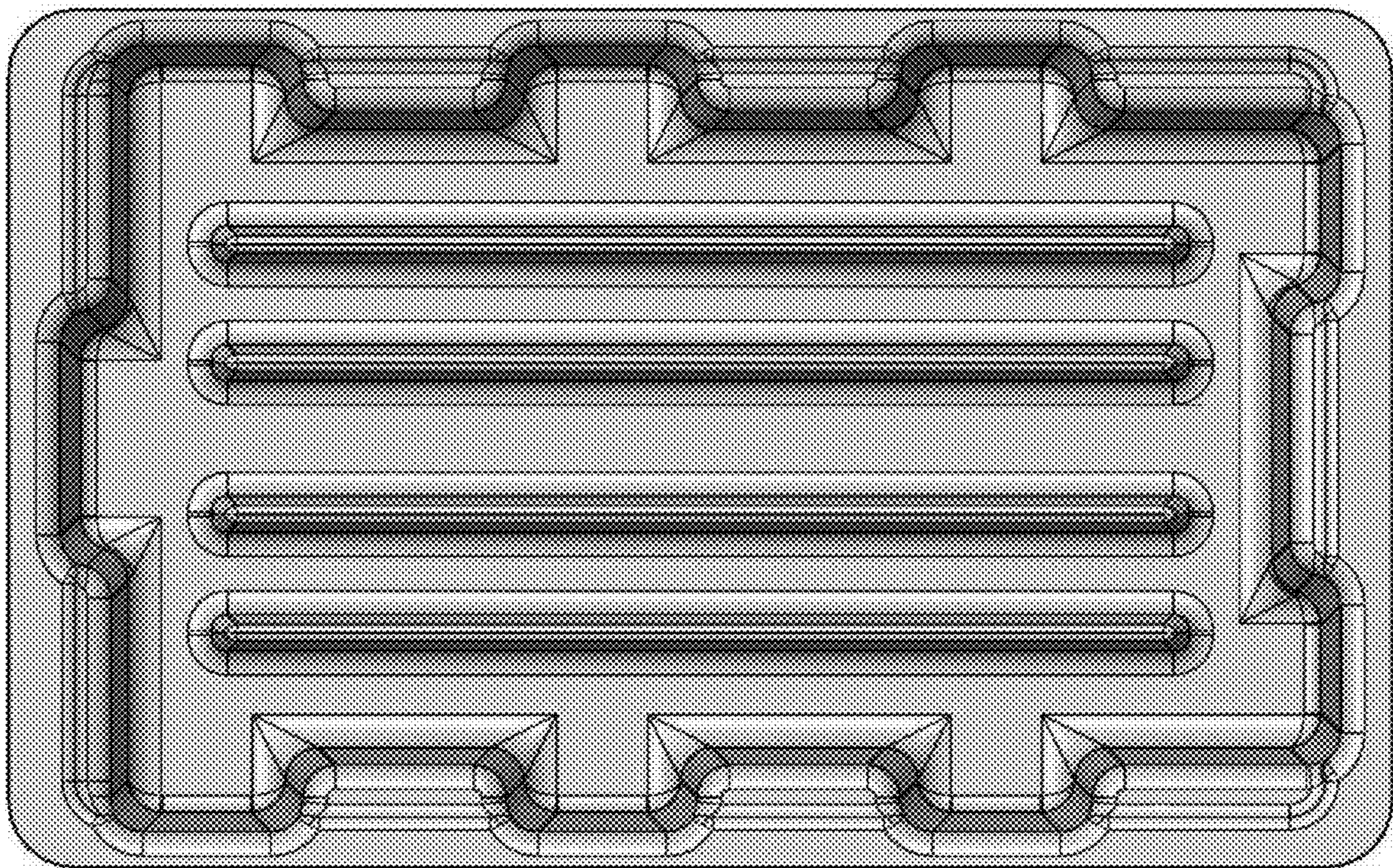


Fig. 1

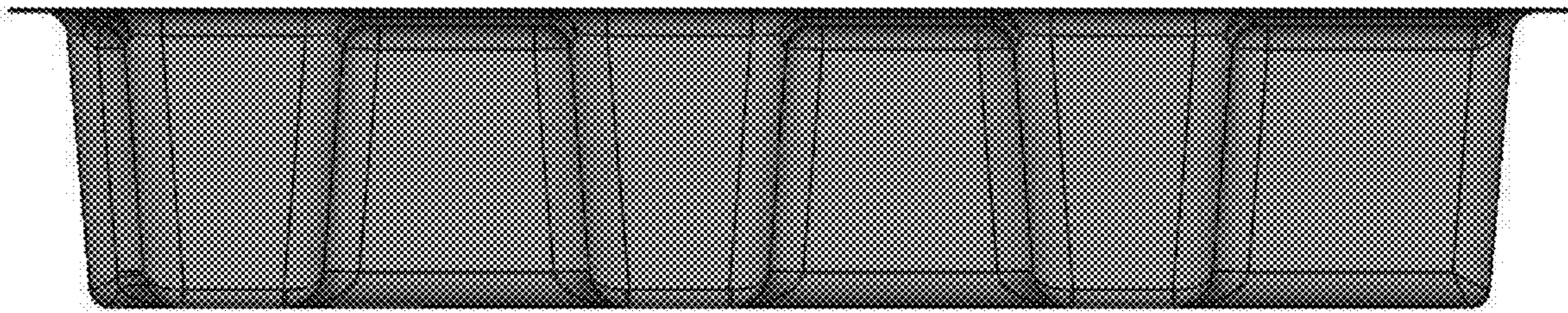


Fig. 2

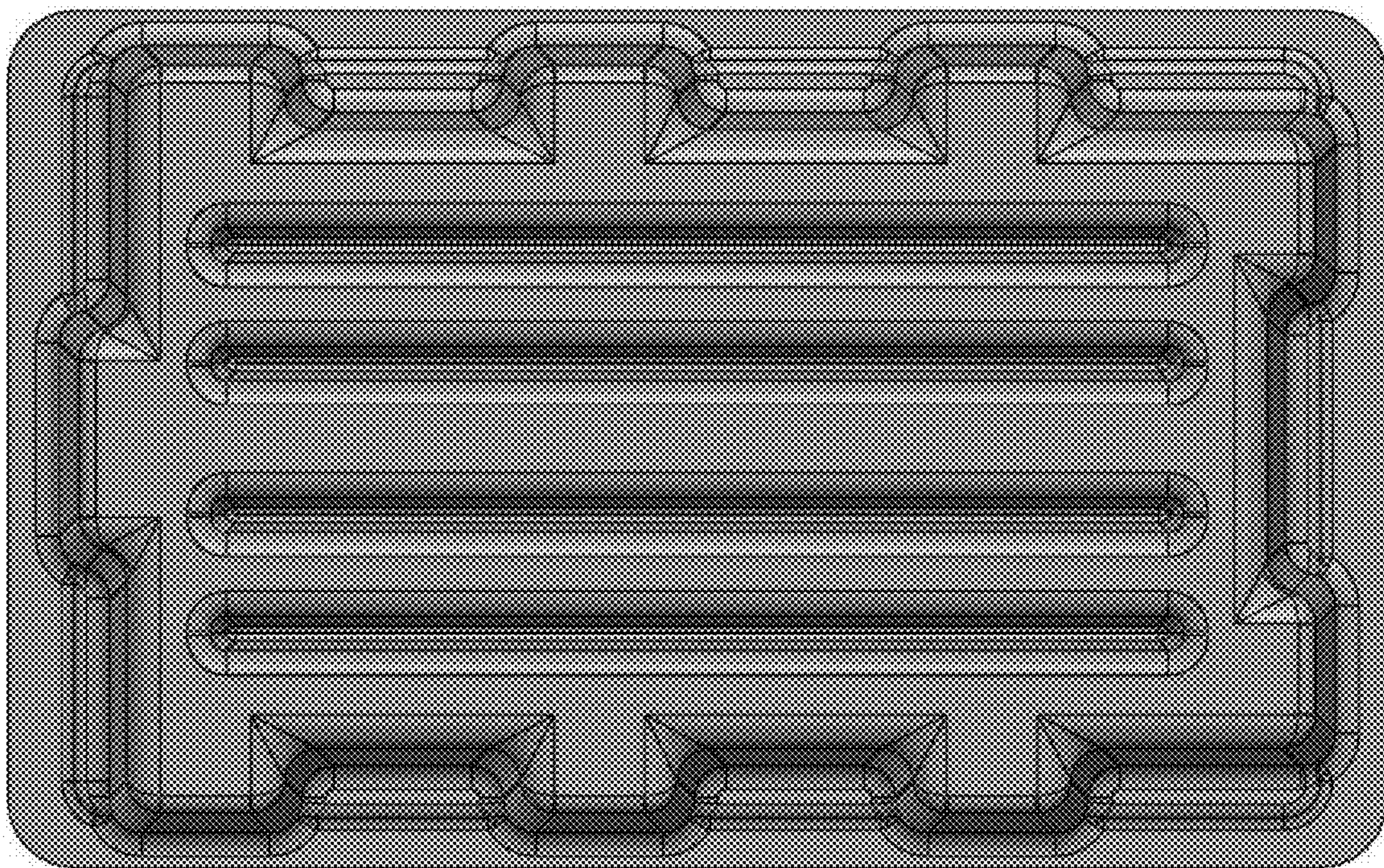


Fig. 3

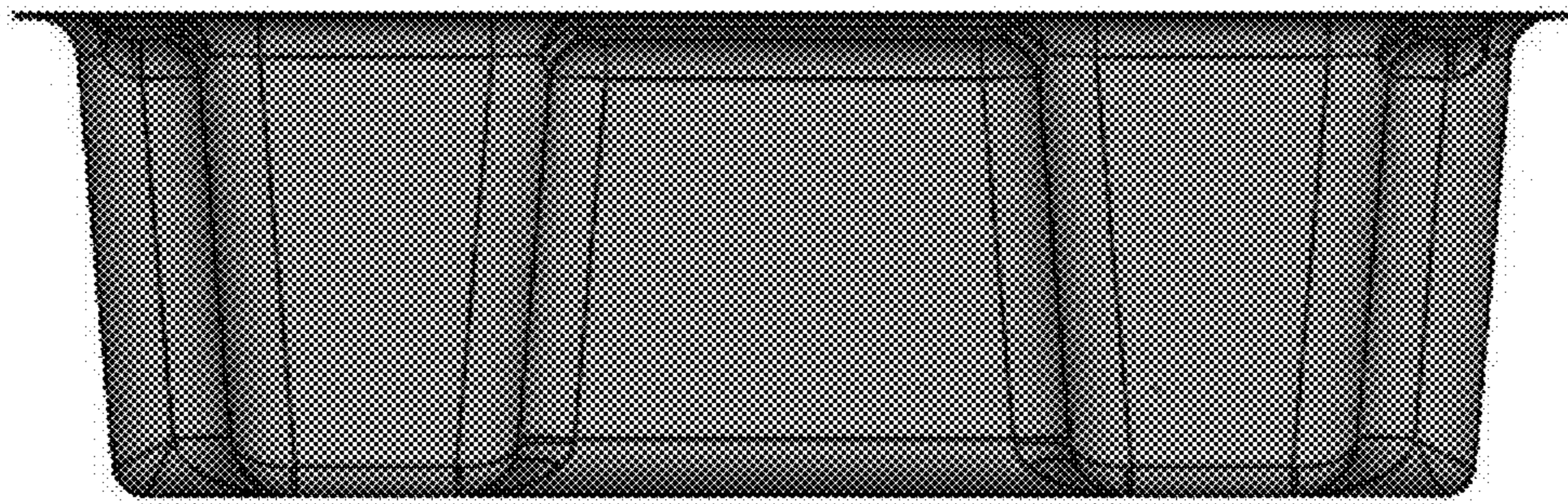


Fig. 4

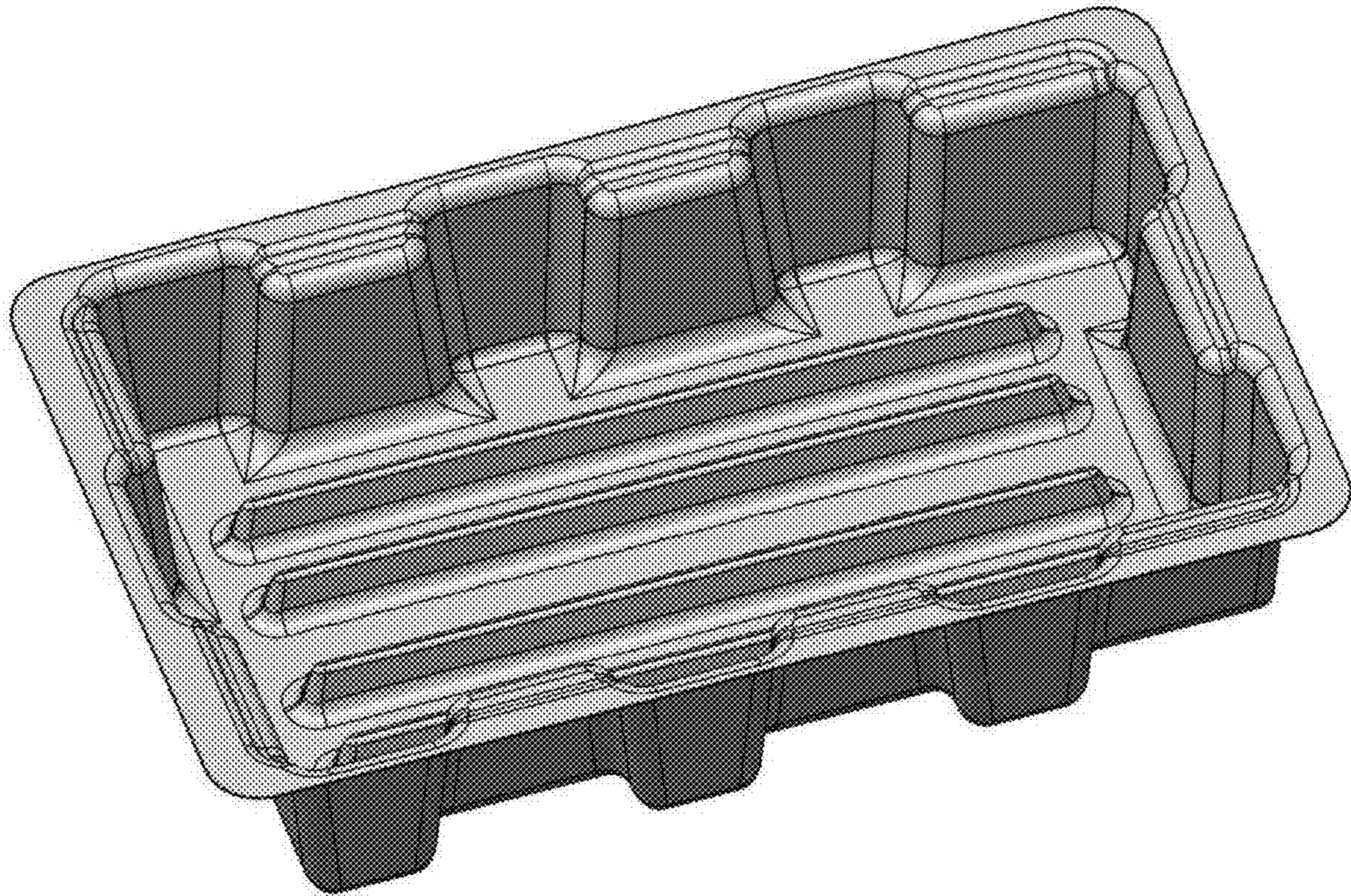


Fig. 5

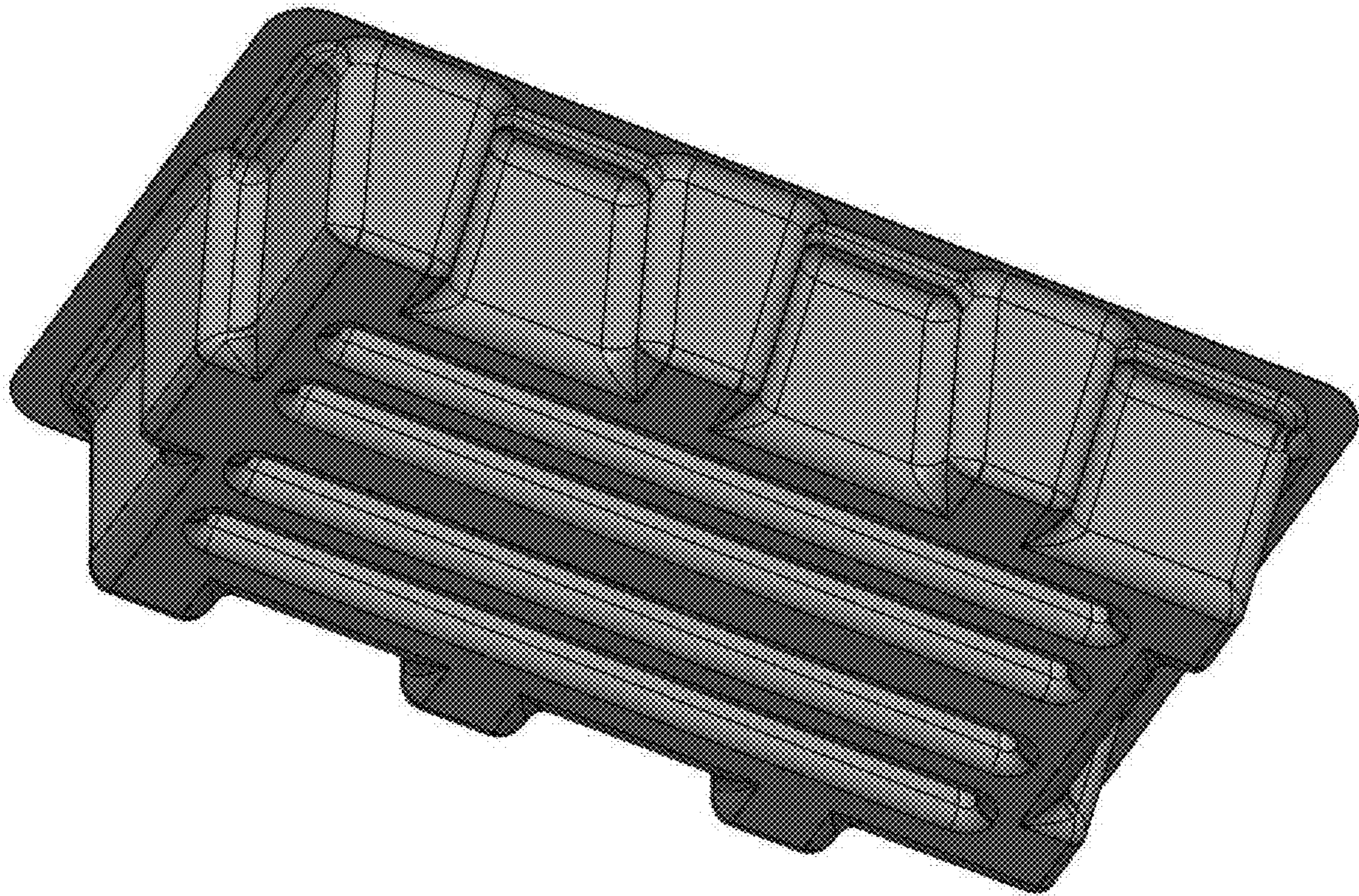


Fig. 6