



US00D891851S

(12) **United States Design Patent**
Joyner

(10) **Patent No.:** **US D891,851 S**

(45) **Date of Patent:** **** Aug. 4, 2020**

(54) **CHAFINGWARE SET**

(71) Applicant: **Shaja Joyner**, Bowie, MD (US)

(72) Inventor: **Shaja Joyner**, Bowie, MD (US)

(73) Assignee: **Table Dress Boutique, LLC**, Bowie, MD (US)

(**) Term: **15 Years**

(21) Appl. No.: **29/724,949**

(22) Filed: **Feb. 20, 2020**

(51) **LOC (12) Cl.** **07-02**

(52) **U.S. Cl.**
USPC **D7/355**

(58) **Field of Classification Search**
USPC D7/323, 354–366, 391, 388, 393–396,
D7/402, 409
CPC A47G 19/12; A47J 27/00; A47J 27/002;
A47J 27/08; A47J 27/21; A47J 27/58;
A47J 36/025; A47J 36/06; A47J 36/12;
A47J 36/24; A47J 36/2405; A47J 37/00;
A47J 37/10; A47J 37/101; A47J 37/103;
A47J 37/12; A47J 37/1204; A47J 39/006;
A47J 45/061; A47J 45/071; A47J 45/08;
H05B 6/12

See application file for complete search history.

(56) **References Cited**

U.S. PATENT DOCUMENTS

D35,501 S	12/1901	Savage	
D38,924 S	12/1907	Wilkes	
D41,716 S	8/1911	Swan	
D45,601 S	4/1914	Mohrhenn	
D88,156 S	11/1932	Knapp	
D150,157 S	7/1948	O'Connell	
D169,166 S	3/1953	Village	
D181,298 S	10/1957	Lax	
D225,169 S	* 11/1972	McGowan	D7/366
D229,733 S	1/1974	Press	

D278,403 S	4/1985	Cesaroni	
4,873,921 A	10/1989	Piane	
4,996,410 A	2/1991	Ho	
D318,975 S	* 8/1991	Thurlow	D7/355
D318,976 S	* 8/1991	Thurlow	D7/355
D365,724 S	1/1996	Yu	
D369,507 S	* 5/1996	Tinius	D7/355
D423,278 S	* 4/2000	Briner	D7/355
D433,272 S	* 11/2000	Park	D7/355
D434,268 S	11/2000	Yu	

(Continued)

Primary Examiner — Ricky Pham

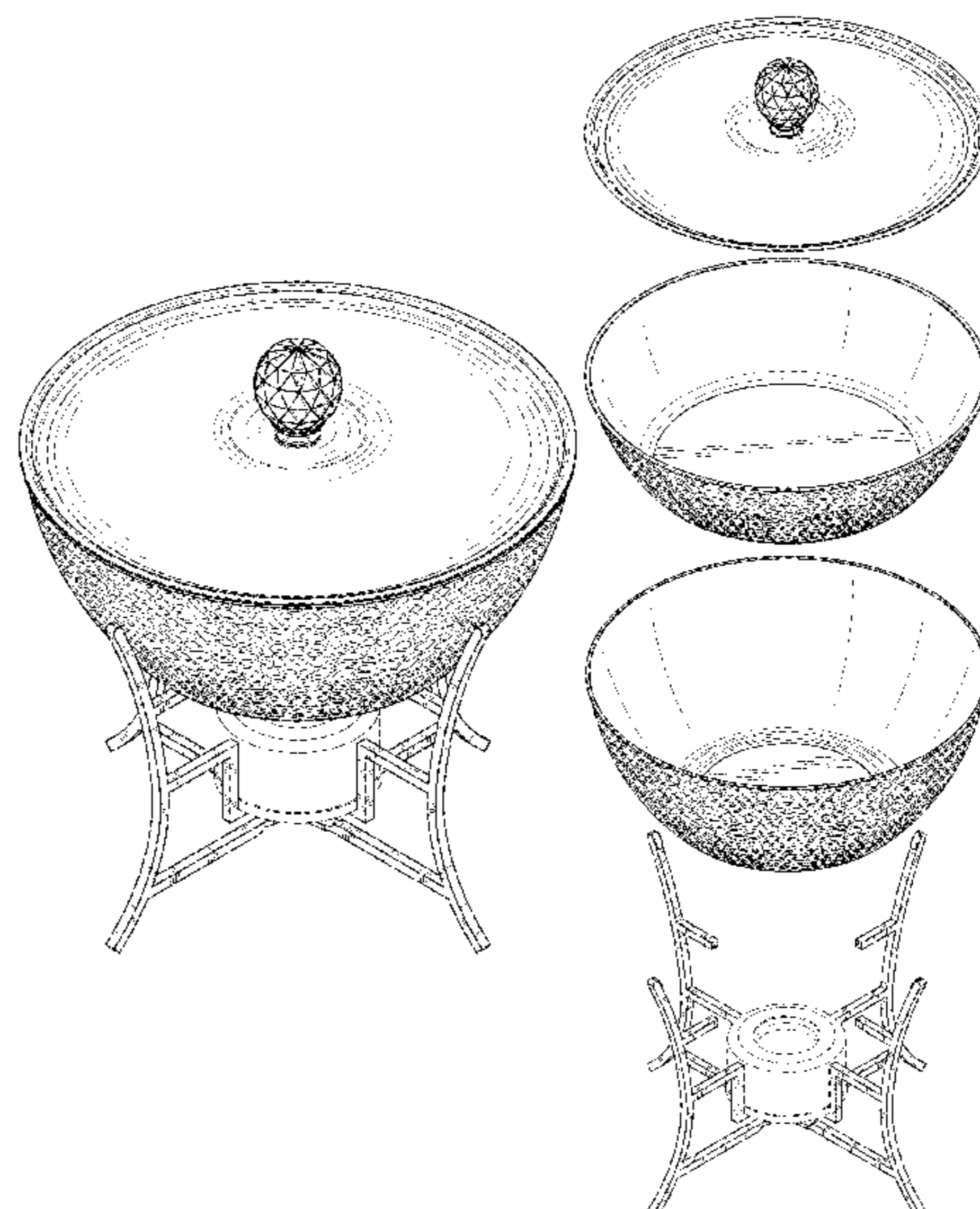
(57) **CLAIM**

The ornamental design for a chafingware set, as shown and described.

DESCRIPTION

FIG. 1 is a front, first side, and top perspective view of a chafingware set embodying the new design;
 FIG. 2 is a front, first side, and bottom perspective view thereof;
 FIG. 3 is a front view thereof;
 FIG. 4 is a back view thereof;
 FIG. 5 is a first side view thereof;
 FIG. 6 is a second side view thereof;
 FIG. 7 is a top view thereof;
 FIG. 8 is a bottom view thereof;
 FIG. 9 is an exploded perspective view of the design of FIG. 1, illustrating the cover, serving bowl, and warming bowl separated from the stand;
 FIG. 10 is a front, first side, and top perspective view of the stand in an open position; and,
 FIG. 11 is a front, first side, and top perspective view of the stand in a closed open position.
 The broken line portions of the figure drawings are included to show unclaimed subject matter only for the purpose of illustrating environment and forms no part of the claimed design.

1 Claim, 11 Drawing Sheets



(56)

References Cited

U.S. PATENT DOCUMENTS

D434,594	S	12/2000	Yu	
D437,181	S	* 2/2001	Park	D7/355
6,526,875	B1	3/2003	Dzbinski	
D488,343	S	* 4/2004	Tse	D7/355
D488,950	S	* 4/2004	Tse	D7/355
D503,068	S	* 3/2005	May	D7/388
D625,548	S	* 10/2010	Lavy	D7/366
D645,297	S	9/2011	Saboe	
D645,298	S	9/2011	Saboe	
D781,647	S	* 3/2017	Bogazzi	D7/402
D845,060	S	* 4/2019	Joyner	D7/355
2009/0095169	A1	4/2009	York	
2011/0303104	A1	12/2011	Han	

* cited by examiner

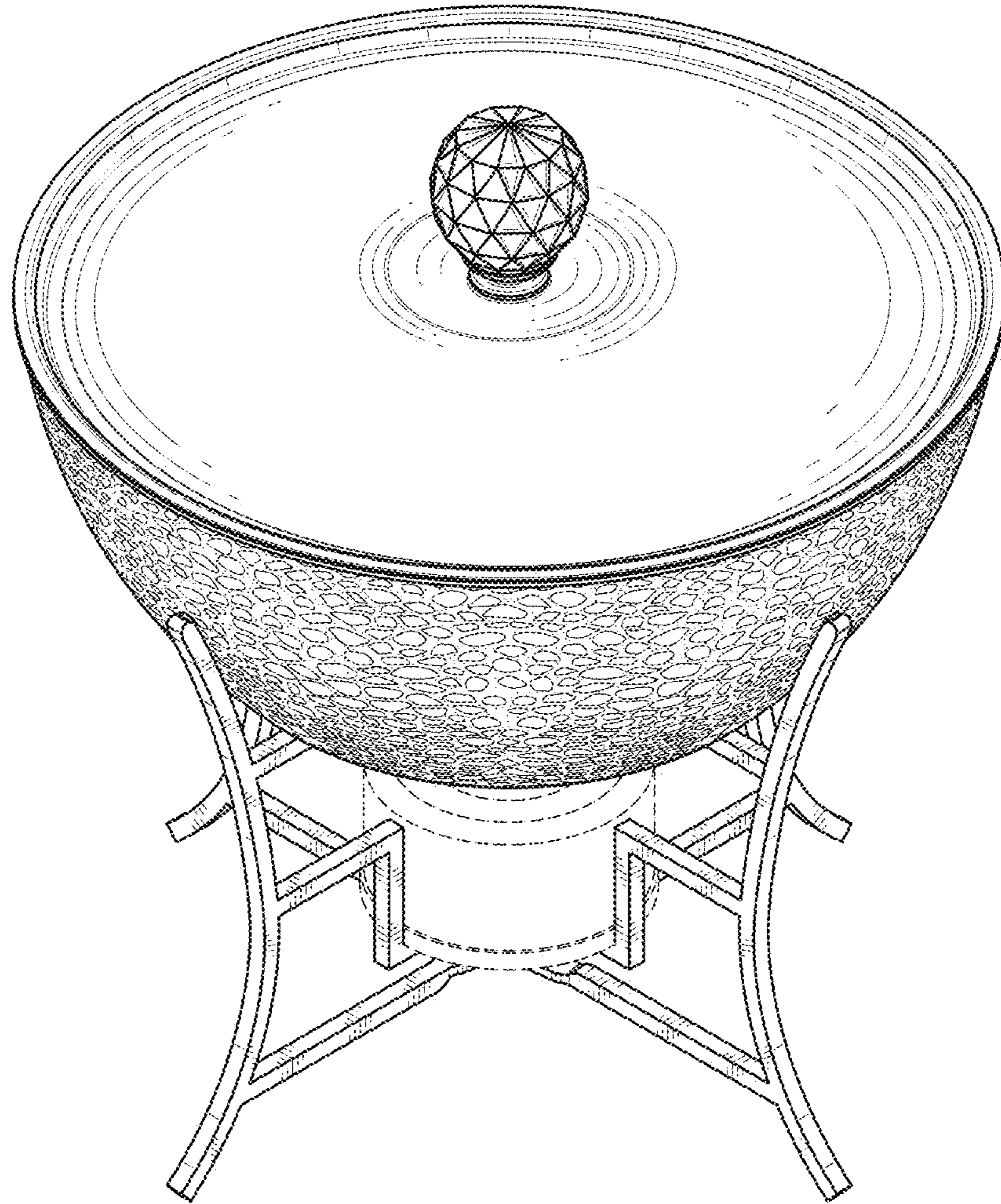


FIG. 1

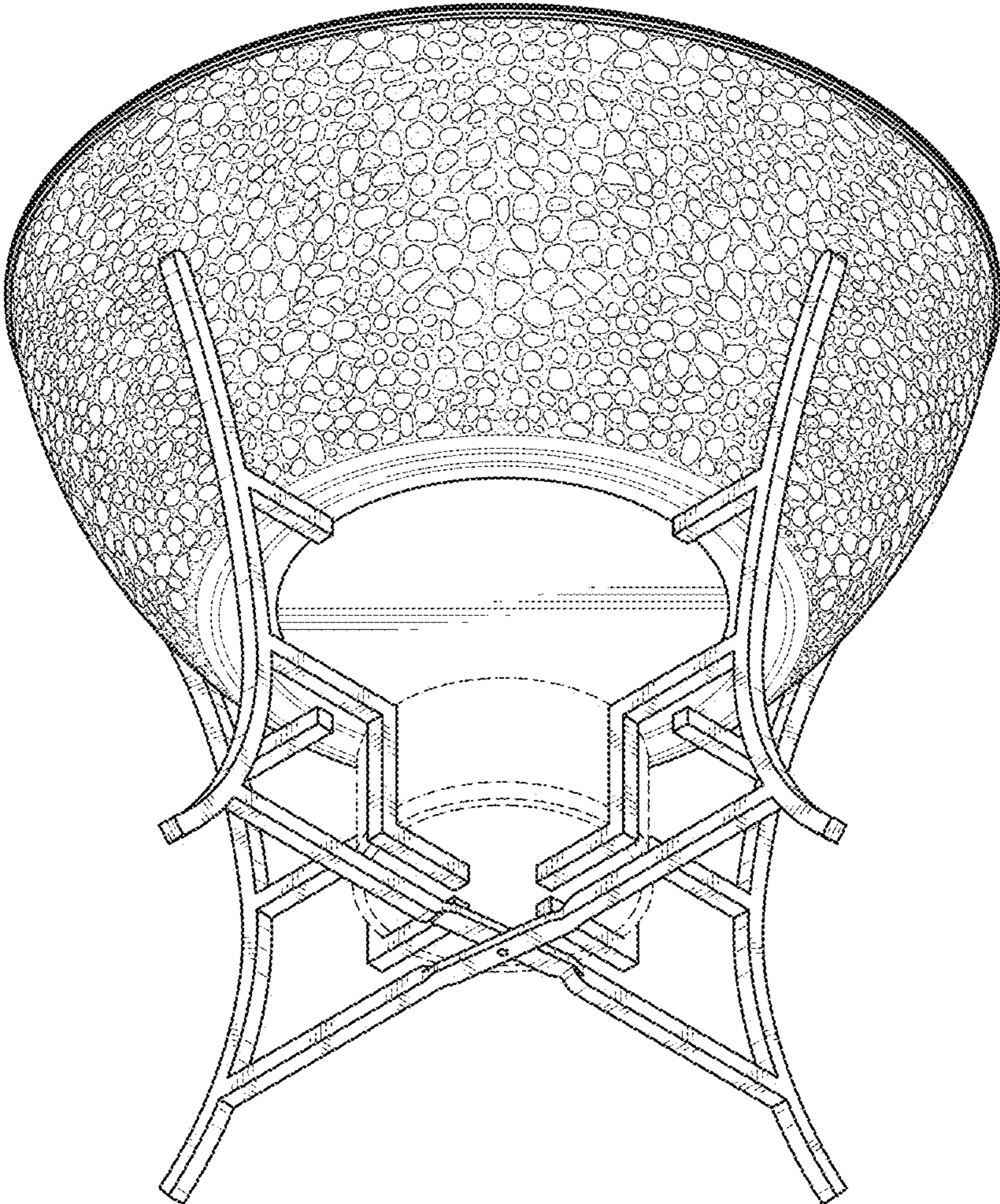


FIG. 2

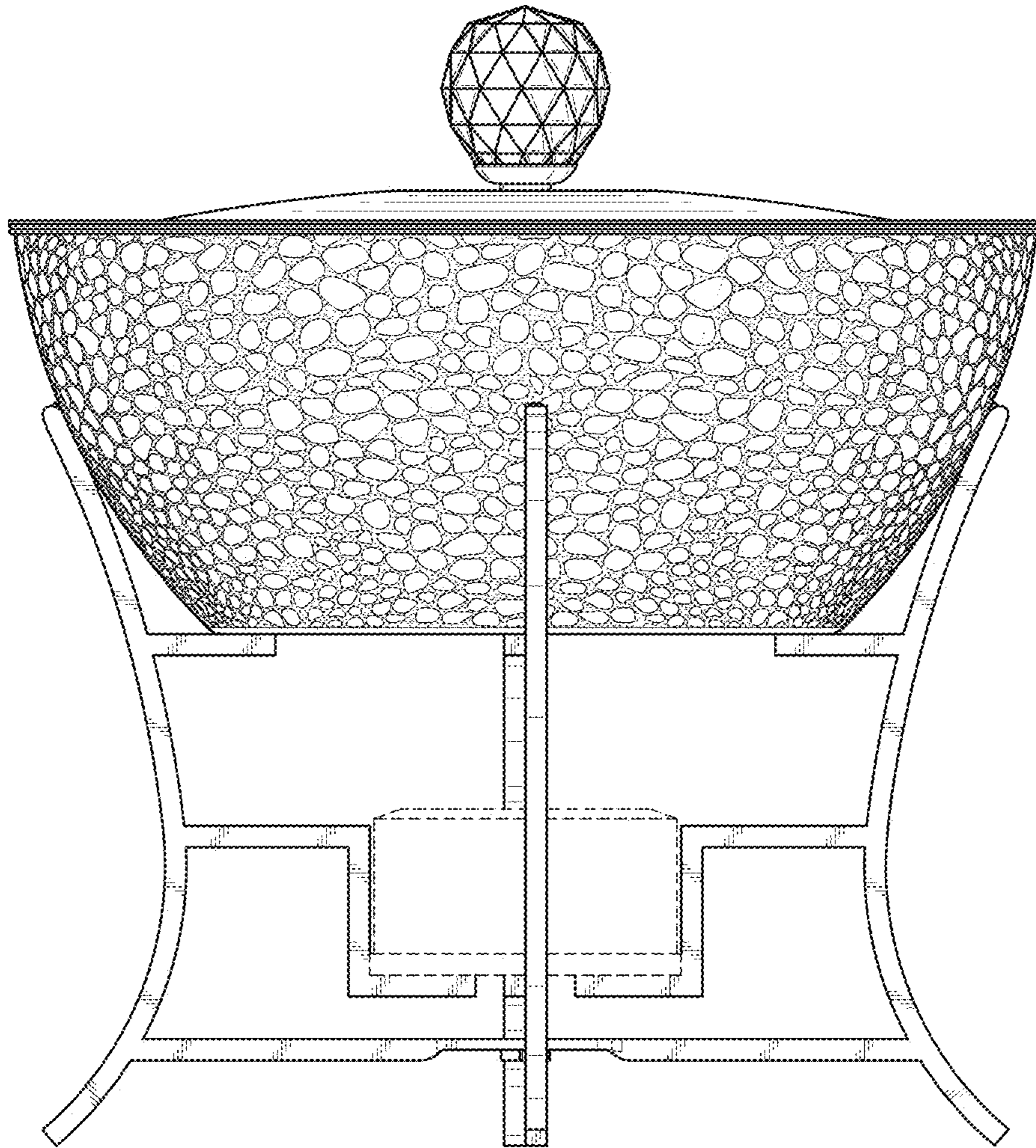


FIG. 3

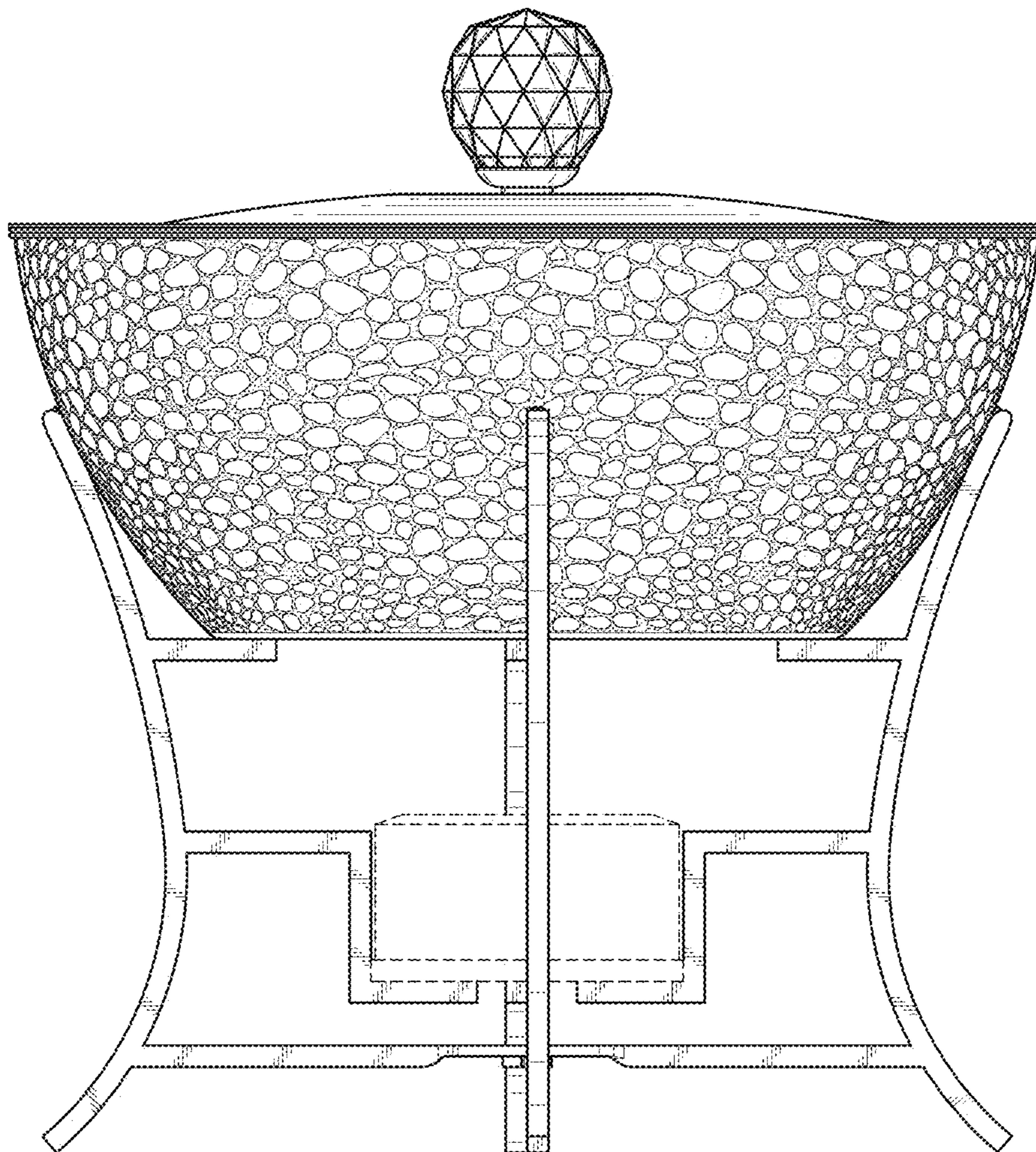


FIG. 4

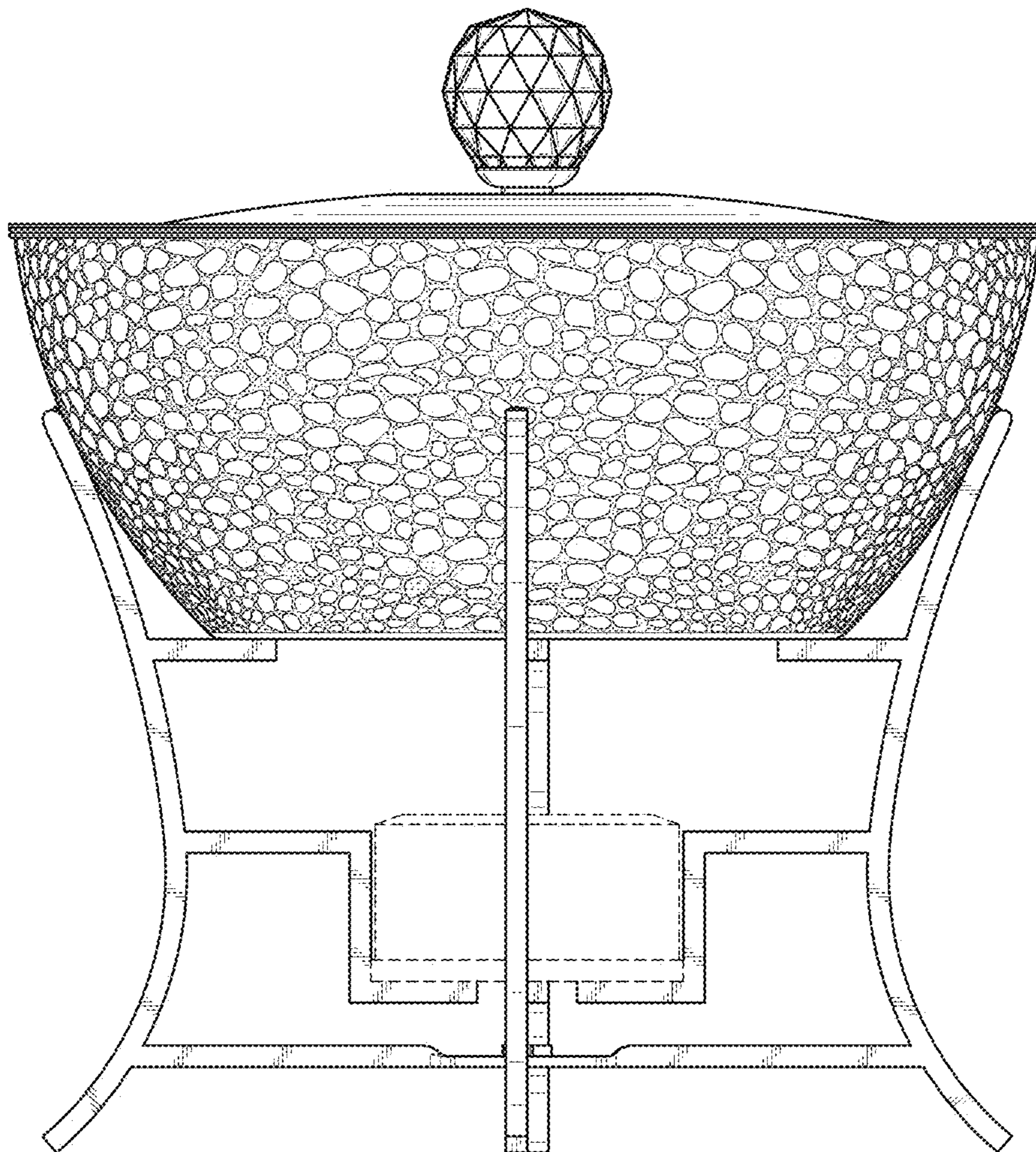


FIG. 5

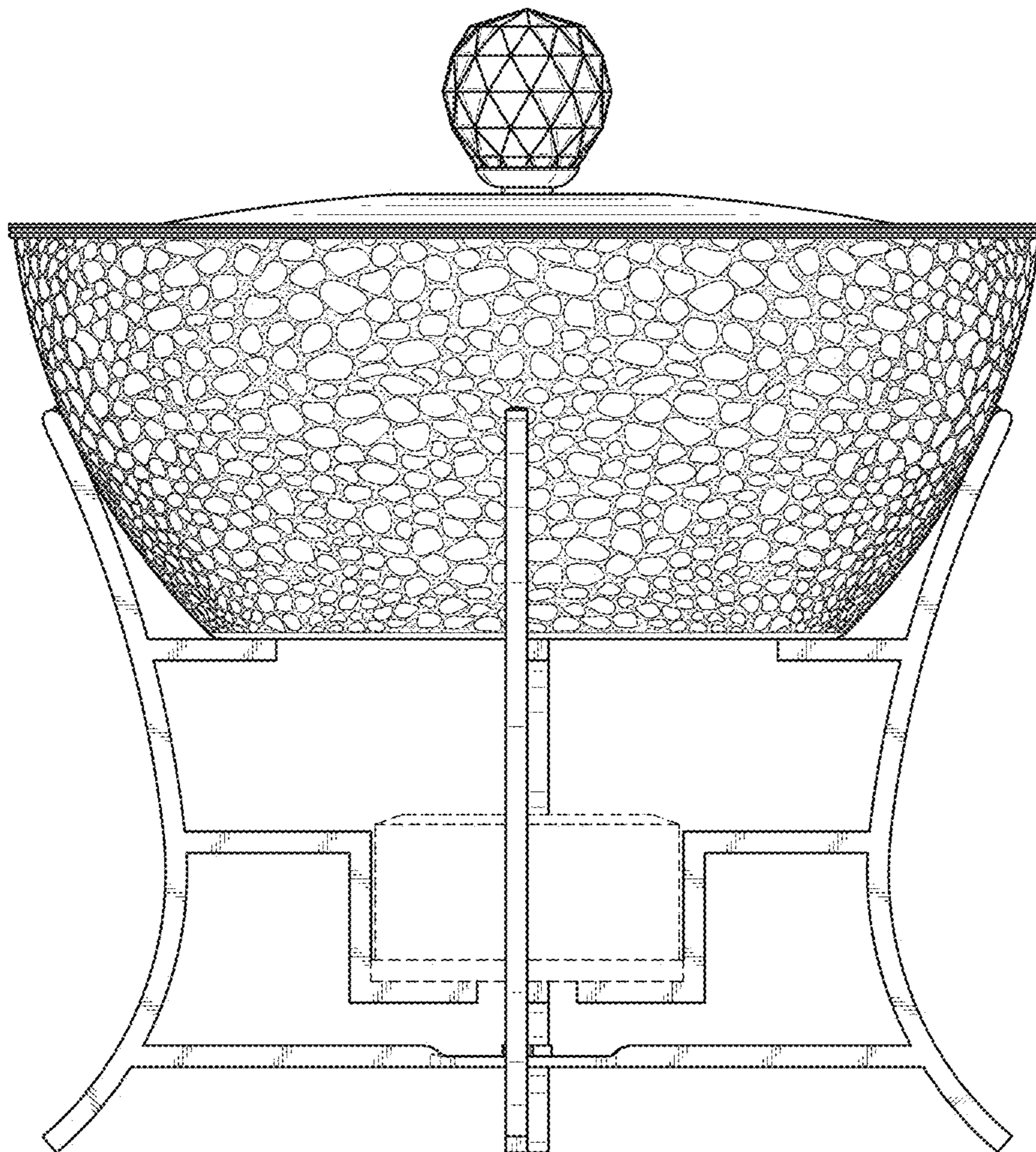


FIG. 6

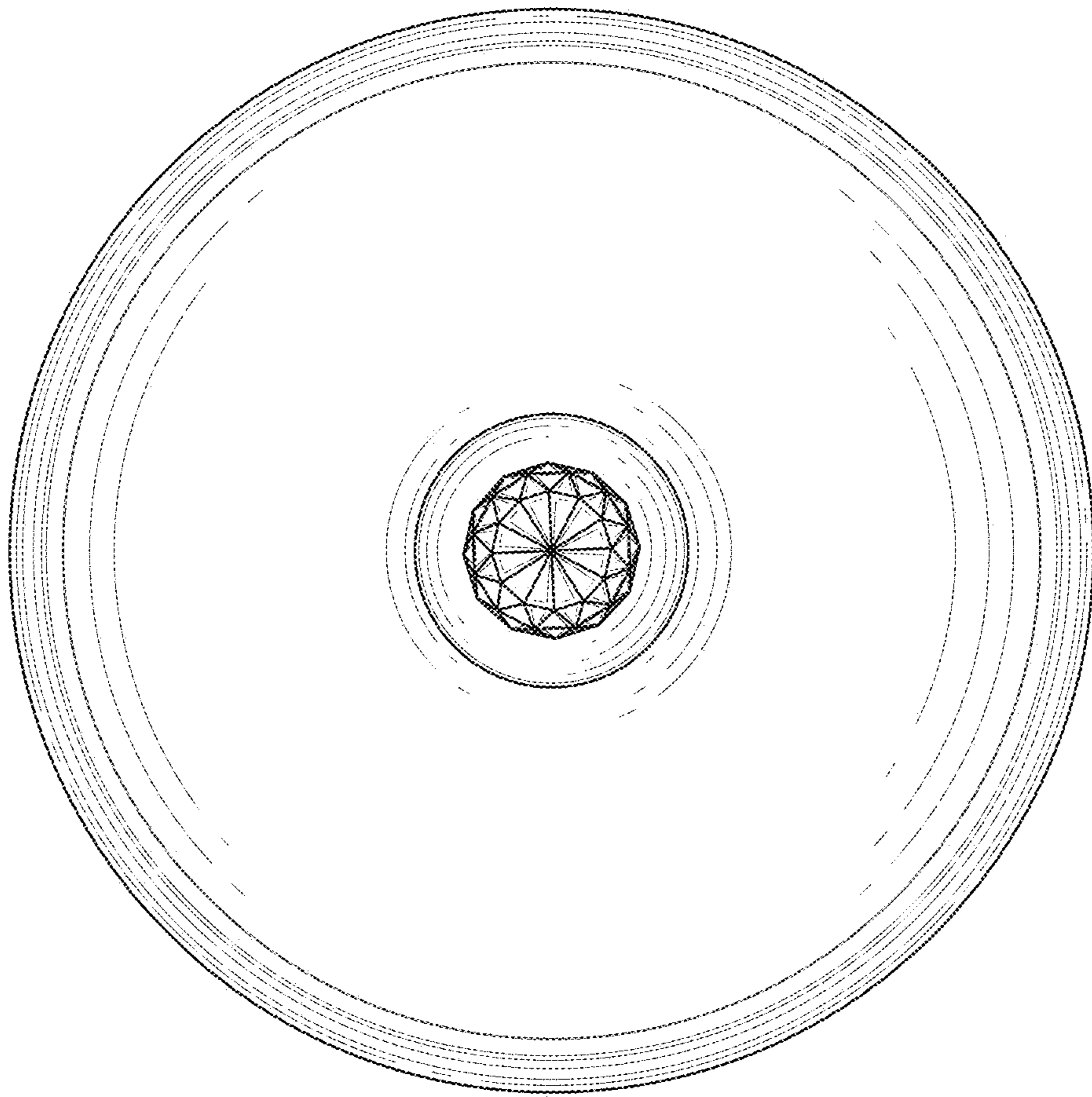


FIG. 7

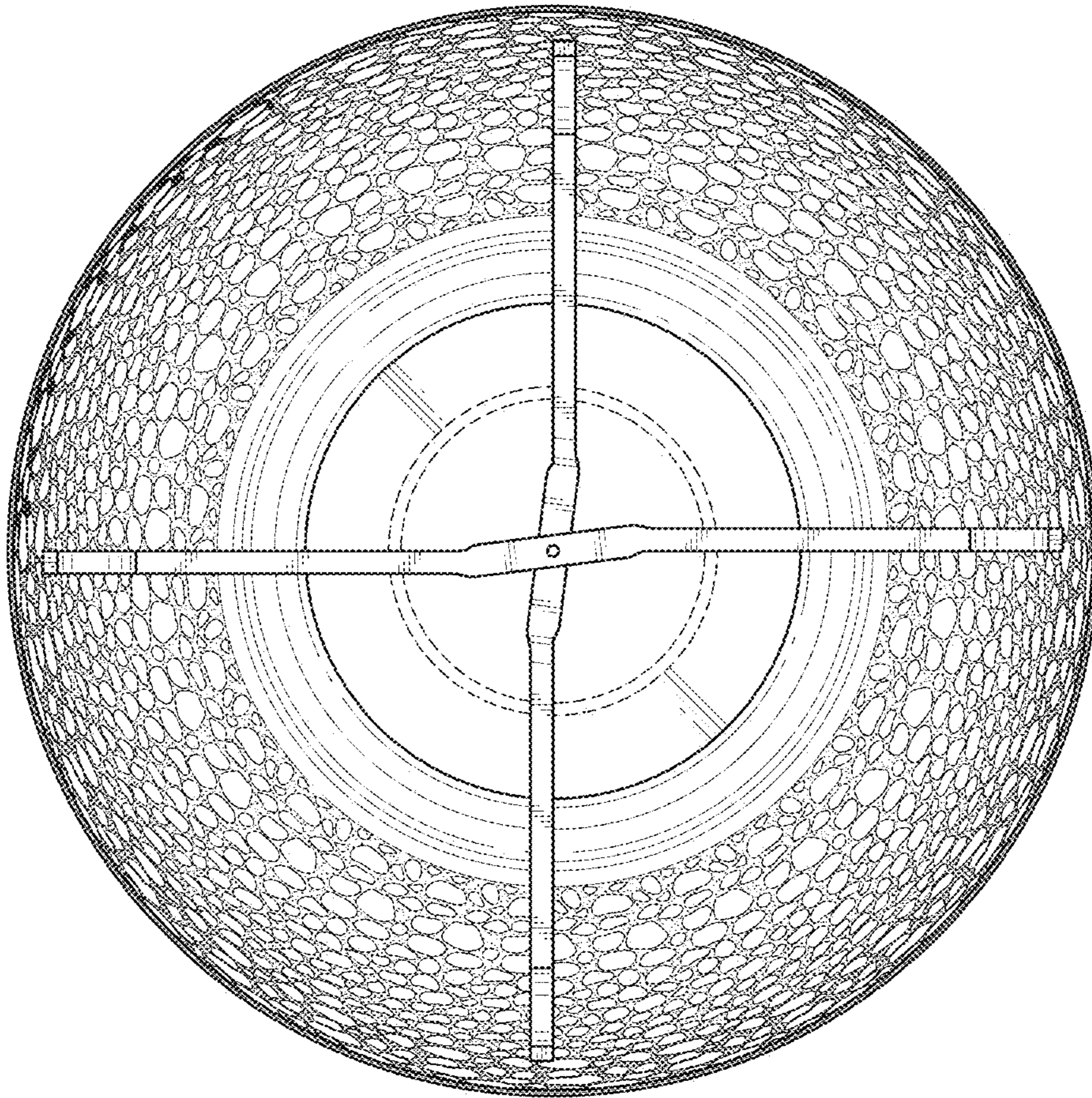
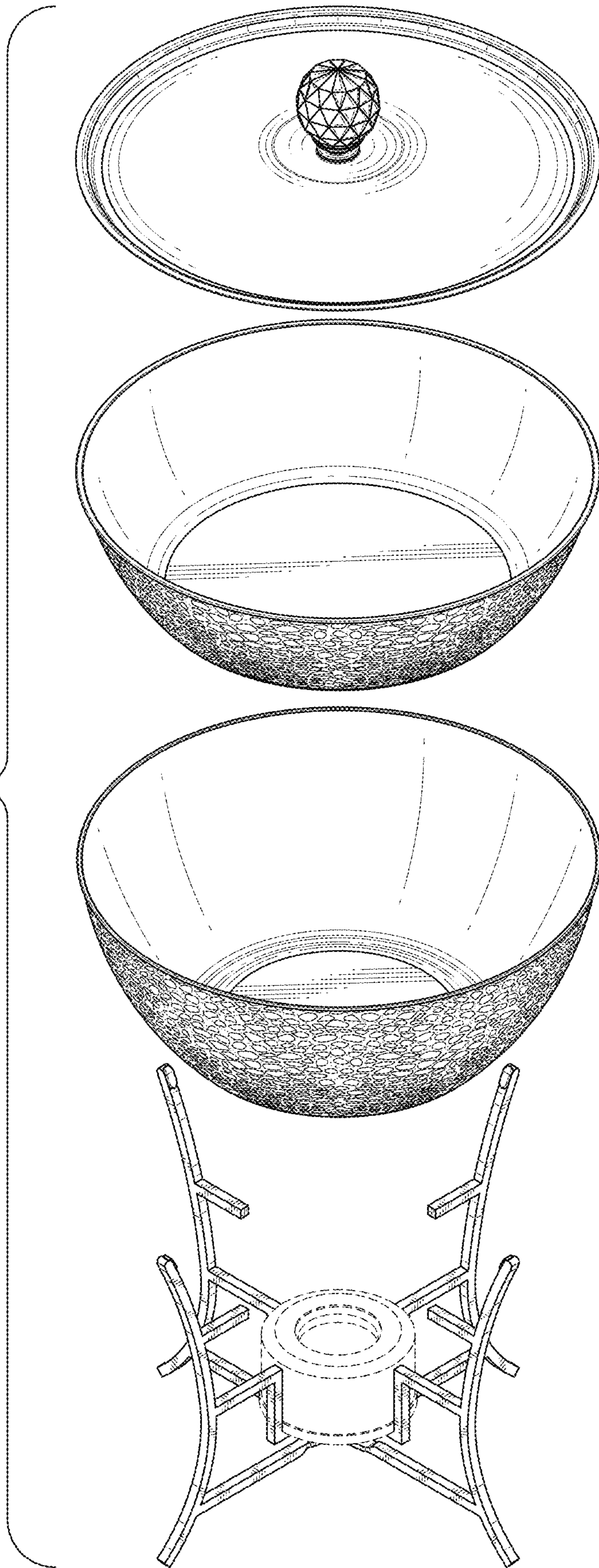


FIG. 8

FIG. 9



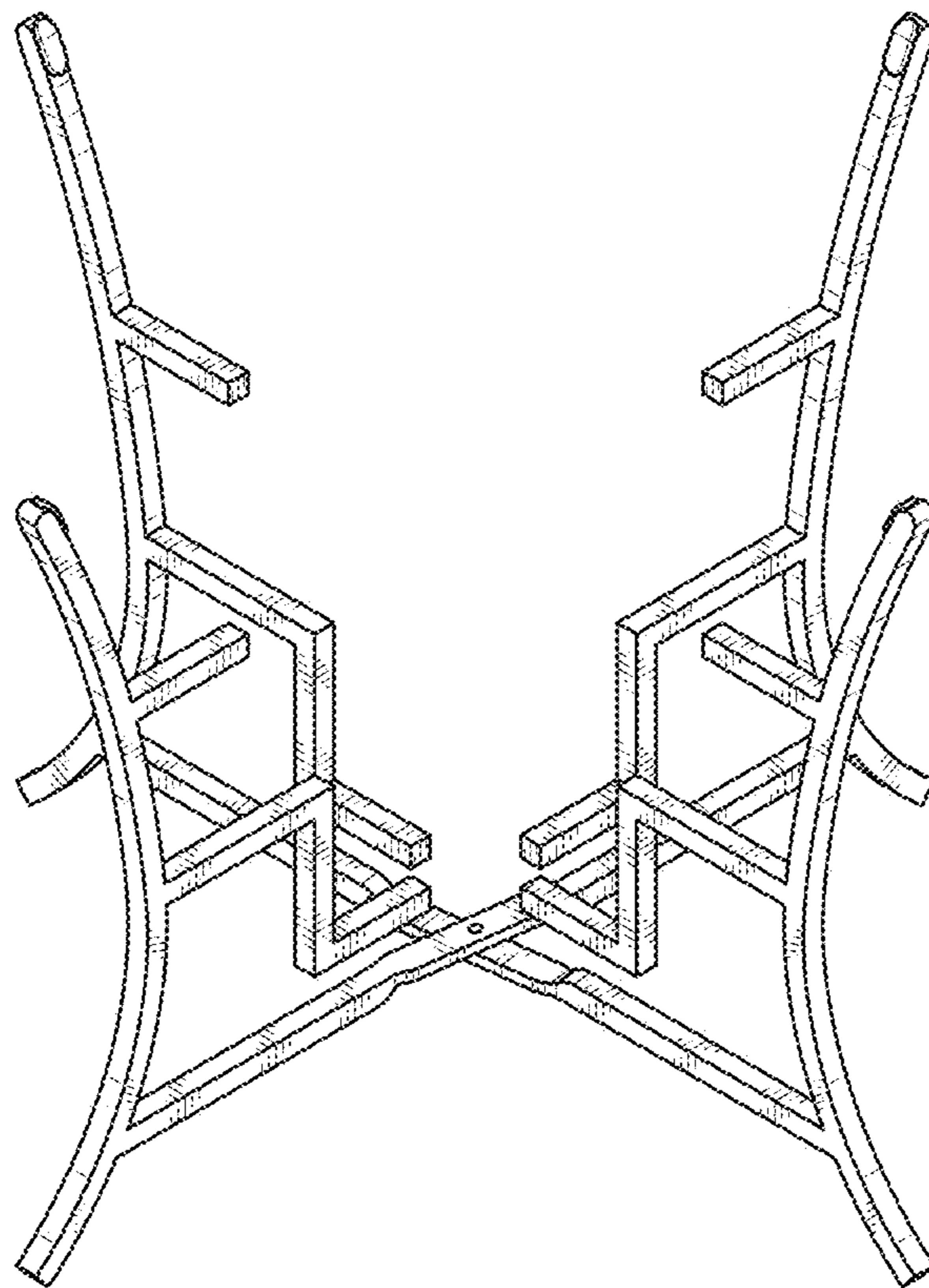


FIG. 10

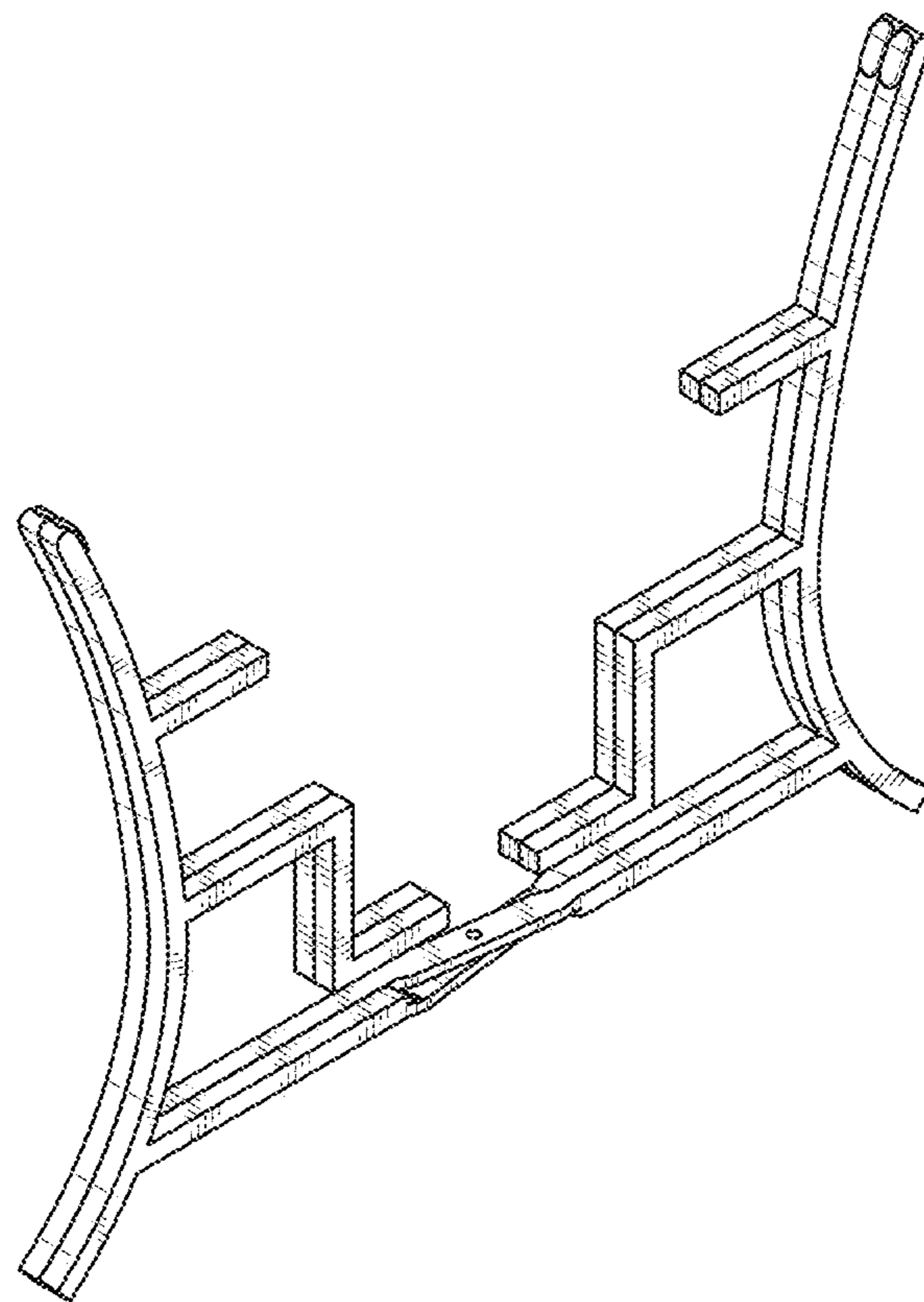


FIG. 11