



US00D891850S

(12) **United States Design Patent**
Joyner

(10) **Patent No.:** **US D891,850 S**

(45) **Date of Patent:** **** Aug. 4, 2020**

(54) **CHAFINGWARE SET**

(71) Applicant: **Shaja Joyner**, Bowie, MD (US)

(72) Inventor: **Shaja Joyner**, Bowie, MD (US)

(73) Assignee: **Table Dress Boutique, LLC**, Bowie, MD (US)

(**) Term: **15 Years**

(21) Appl. No.: **29/724,927**

(22) Filed: **Feb. 20, 2020**

(51) **LOC (12) Cl.** **07-02**

(52) **U.S. Cl.**
USPC **D7/355**

(58) **Field of Classification Search**
USPC D7/323, 354-366, 391, 393-396, 409
CPC A47G 19/12; A47J 27/00; A47J 27/002;
A47J 27/08; A47J 27/21; A47J 27/58;
A47J 36/025; A47J 36/06; A47J 36/12;
A47J 36/24; A47J 36/2405; A47J 37/00;
A47J 37/10; A47J 37/101; A47J 37/103;
A47J 37/12; A47J 37/1204; A47J 39/006;
A47J 45/061; A47J 45/071; A47J 45/08;
H05B 6/12

See application file for complete search history.

(56) **References Cited**

U.S. PATENT DOCUMENTS

D35,501 S	12/1901	Savage	
D146,832 S *	5/1947	O'Connell	D7/355
D150,157 S	7/1948	O'Connell	
D168,905 S *	2/1953	O'Connell	D7/355
D181,298 S	10/1957	Lax	
D225,169 S *	11/1972	McGowan	D7/366
4,873,921 A	10/1989	Piane	
4,920,873 A	5/1990	Stevens	
5,045,672 A	9/1991	Scott	
5,381,729 A	1/1995	Hennessy	
D401,805 S	12/1998	Benz	

D433,272 S *	11/2000	Park	D7/355
D434,268 S	11/2000	Yu	
D434,594 S	12/2000	Yu	
D437,181 S *	2/2001	Park	D7/355
6,526,875 B1	3/2003	Dzbinski	
6,705,210 B2	3/2004	Leonard	

(Continued)

Primary Examiner — Ricky Pham

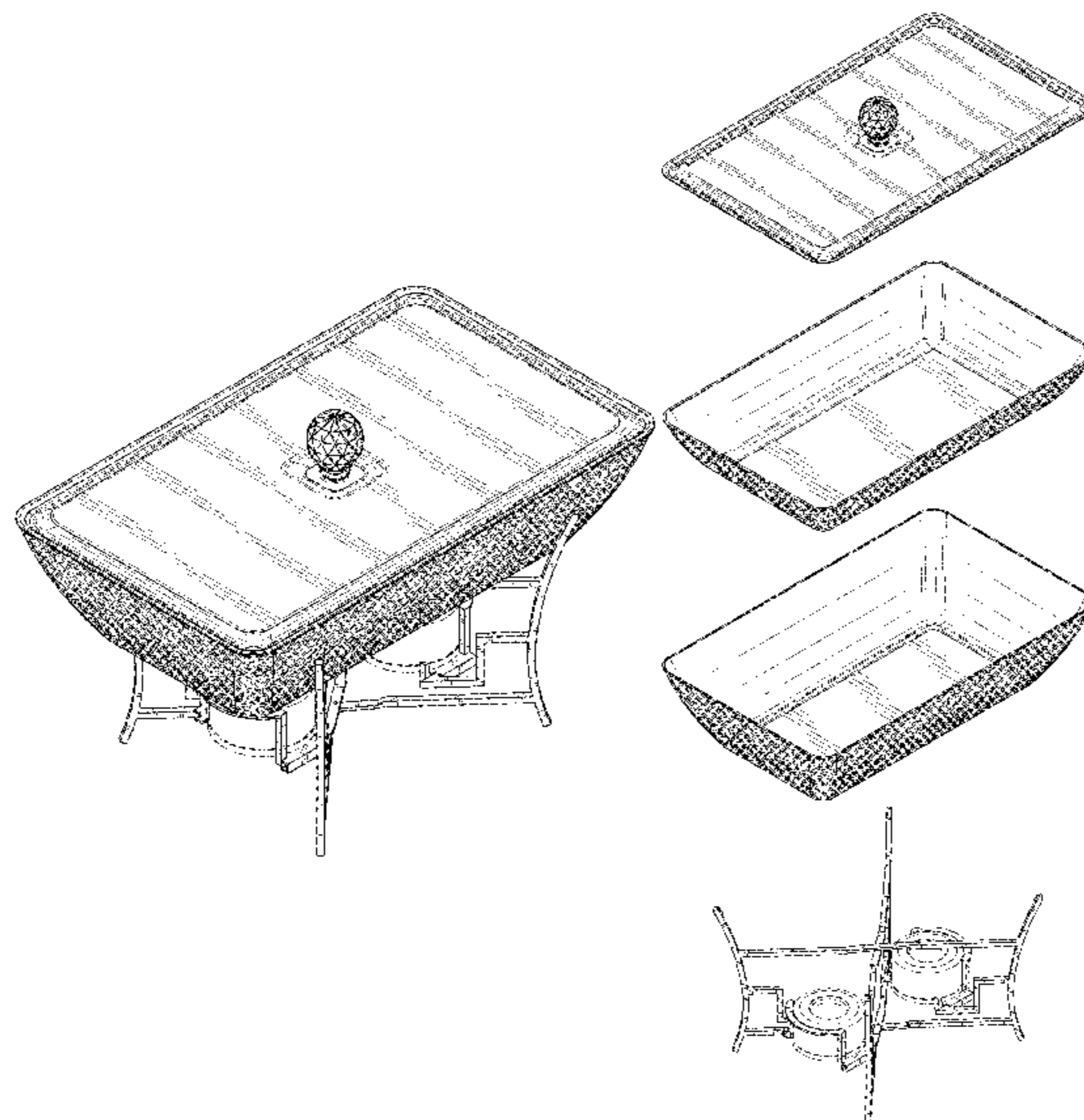
(57) **CLAIM**

The ornamental design for a chafingware set, as shown and described.

DESCRIPTION

FIG. 1 is a front, first side, and top perspective view of a chafingware set embodying the new design;
 FIG. 2 is a front, first side, and bottom perspective view thereof;
 FIG. 3 is a front view thereof;
 FIG. 4 is a back view thereof;
 FIG. 5 is a first side view thereof;
 FIG. 6 is a second side view thereof;
 FIG. 7 is a top view thereof;
 FIG. 8 is a bottom view thereof;
 FIG. 9 is an exploded perspective view of the design of FIG. 1, illustrating the cover, serving bowl, and warming bowl separated from the stand;
 FIG. 10 is a front, first side, and top perspective view of the stand in an open position;
 FIG. 11 is a front, first side, and top perspective view of the stand in a closed open position, illustrating the stand with two fuel cans, which are unclaimed; and,
 FIG. 12 is a front, first side, and top perspective view of the stand in a closed open position, illustrating the stand with no fuel cans.
 The broken line portions of the figure drawings are included to show unclaimed subject matter only for the purpose of illustrating environment and forms no part of the claimed design.

1 Claim, 12 Drawing Sheets



(56)

References Cited

U.S. PATENT DOCUMENTS

D488,668	S	4/2004	Tse	
D488,669	S *	4/2004	Tse	D7/355
6,872,920	B2 *	3/2005	Haber	A47J 36/06 219/430
D506,349	S	6/2005	Wasserman	
D532,647	S	11/2006	Wasserman	
D548,001	S	8/2007	Gross	
D644,868	S	9/2011	Saboe	
D645,296	S	9/2011	Saboe	
D645,297	S	9/2011	Saboe	
D645,298	S	9/2011	Saboe	
D807,116	S	1/2018	Fariello	
D809,341	S	2/2018	Fariello	
D825,978	S	8/2018	Treyes	
D845,060	S *	4/2019	Joyner	D7/355
D873,066	S	1/2020	Amirault	
10,555,639	B2 *	2/2020	Casternovia	A47J 39/006
2003/0192525	A1 *	10/2003	Ruiseco	A47J 36/24 126/33
2005/0079339	A1	4/2005	Riddle	
2005/0100717	A1	5/2005	Riddle	
2005/0167381	A1 *	8/2005	Fariello	A47J 36/24 211/181.1
2016/0157676	A1 *	6/2016	Difante	A47J 36/2405 126/33
2017/0196403	A1 *	7/2017	Treyes	A47J 36/24

* cited by examiner

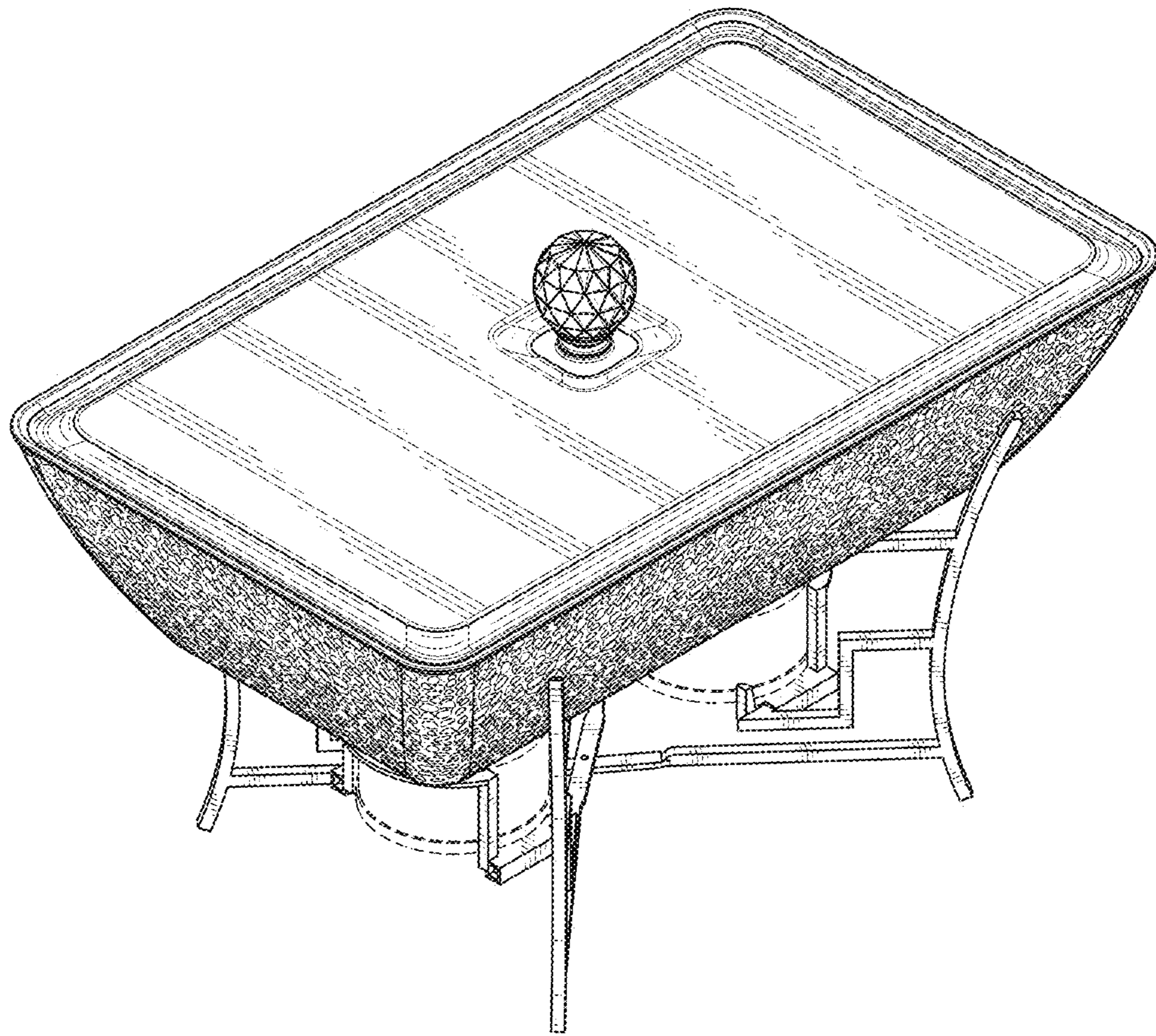


FIG. 1

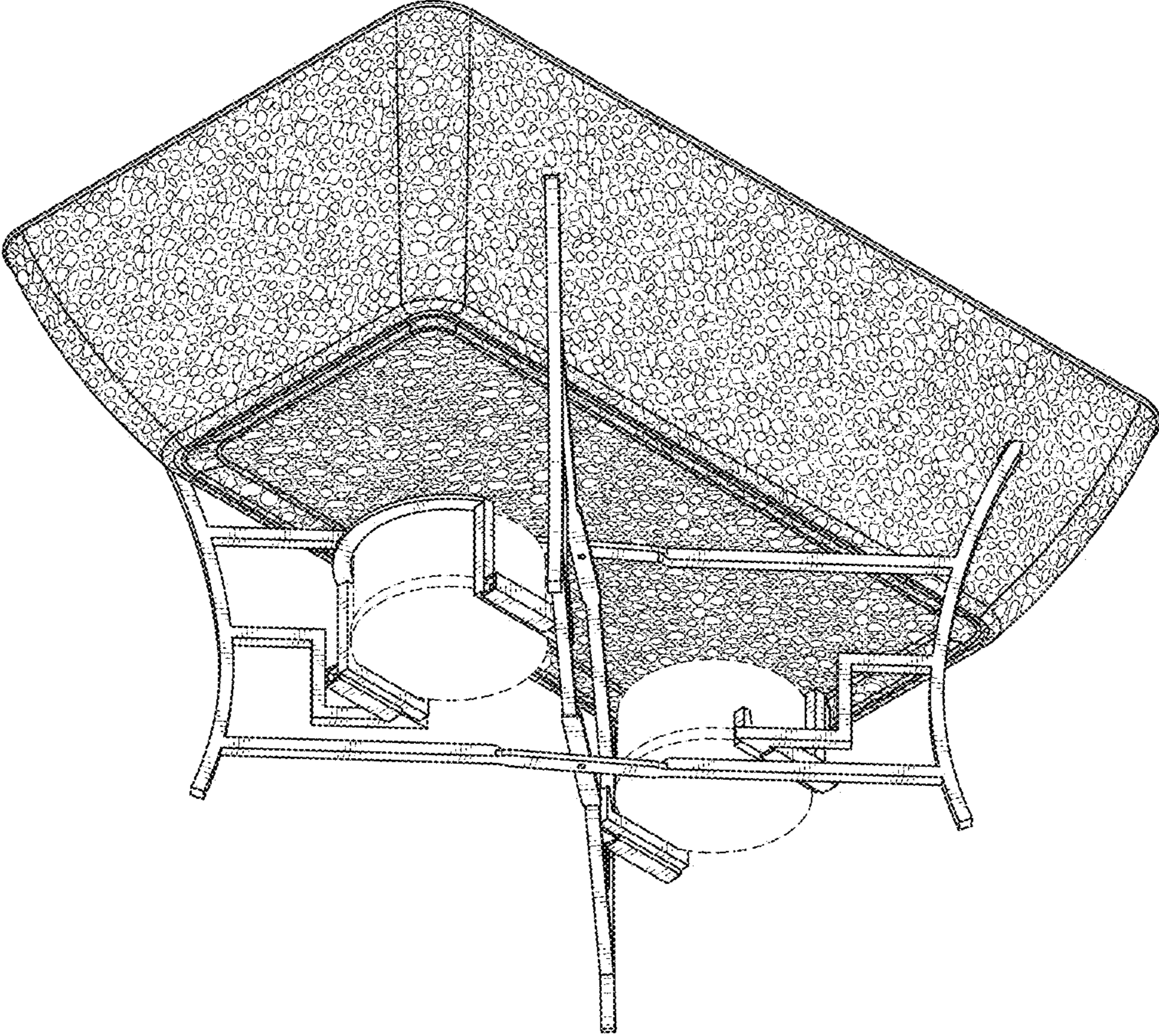


FIG. 2

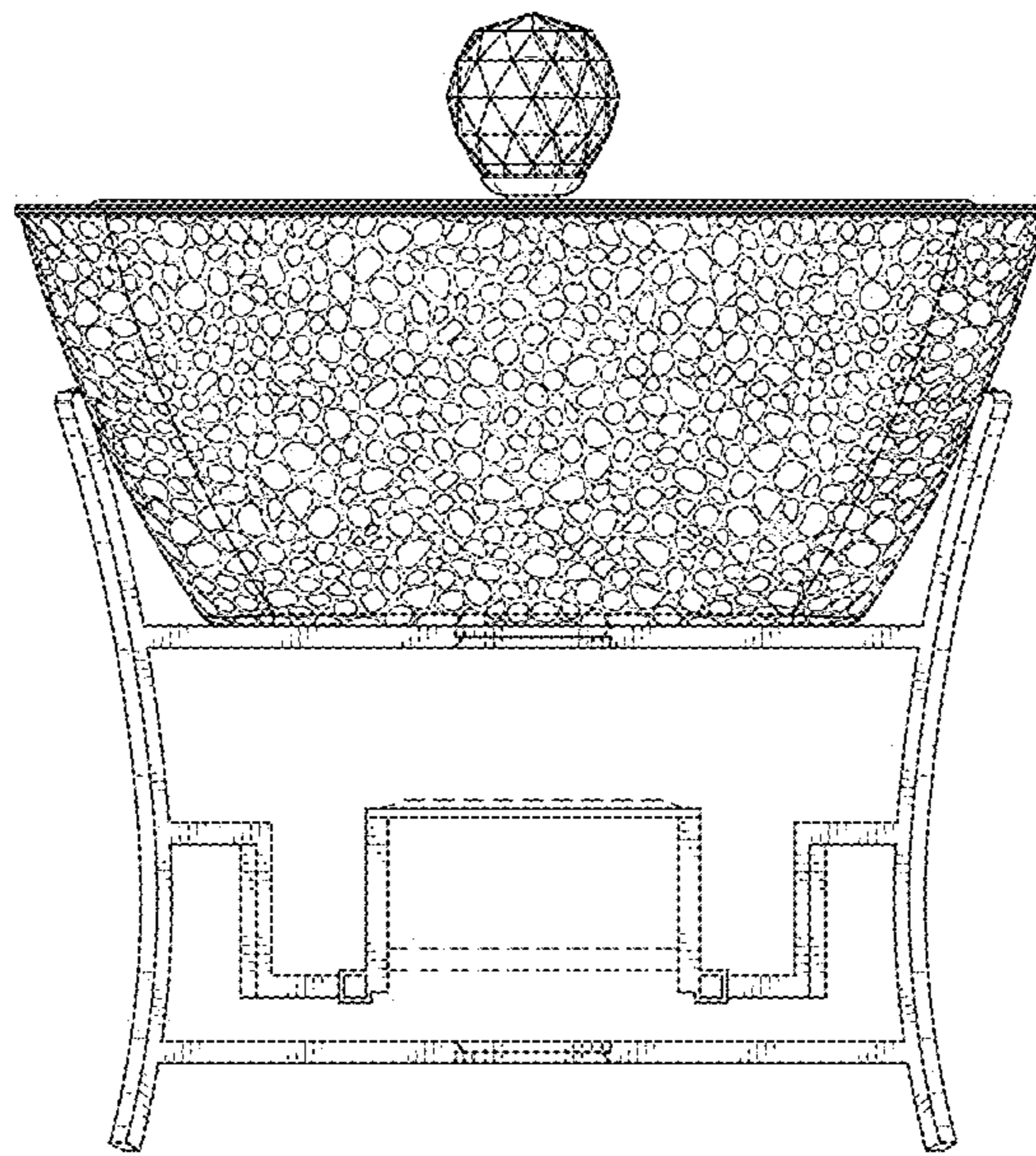


FIG. 3

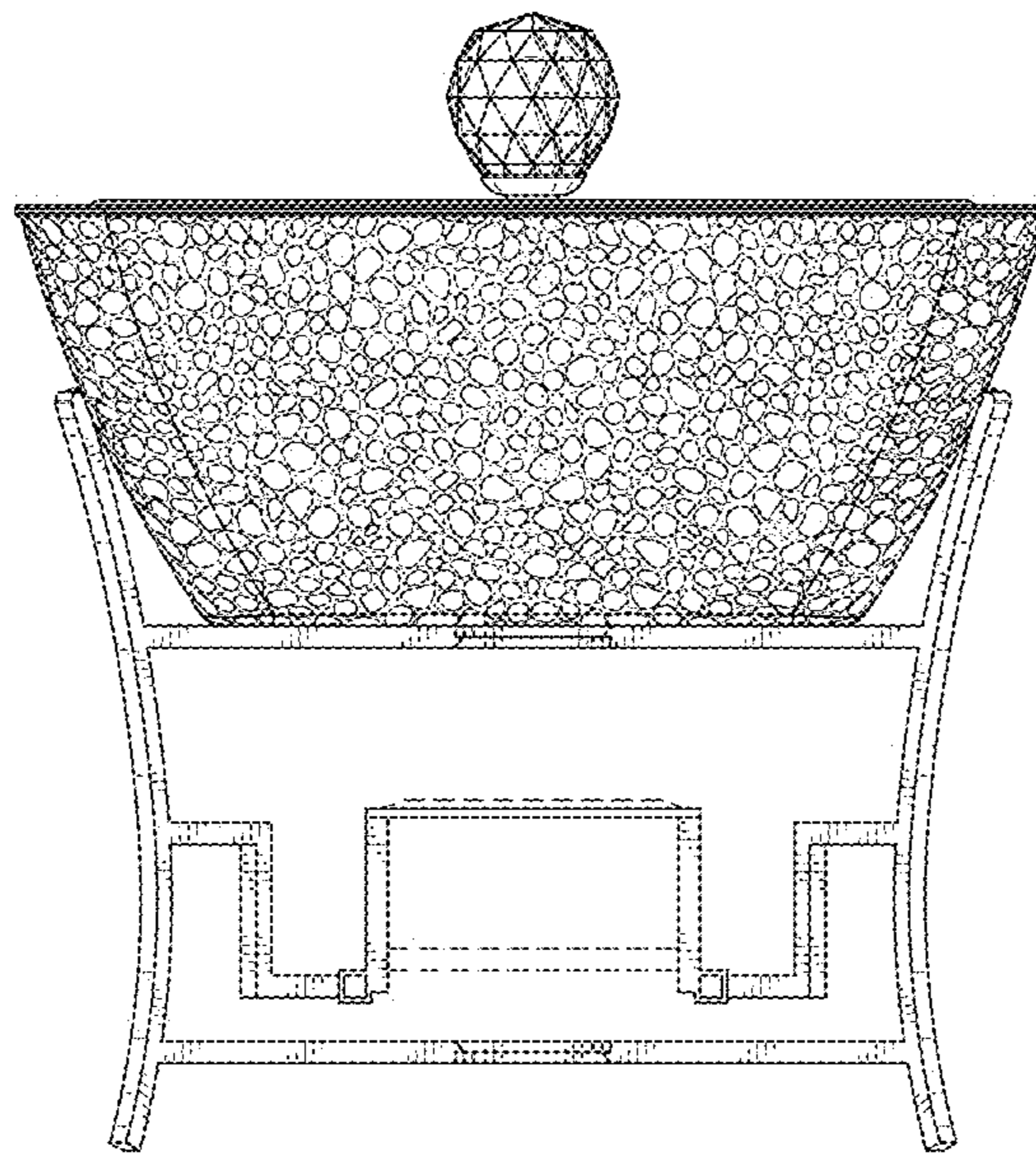


FIG. 4

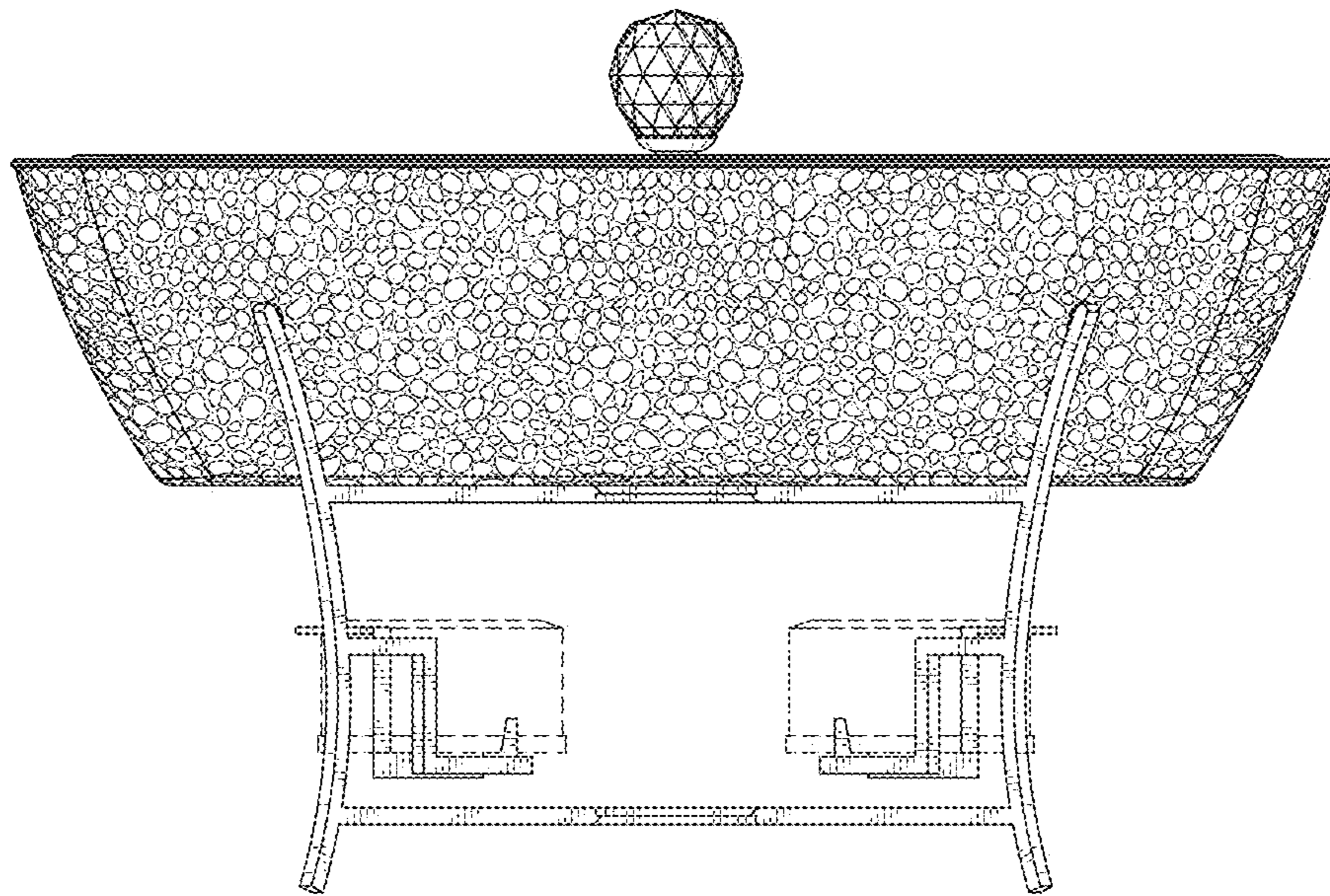


FIG. 5

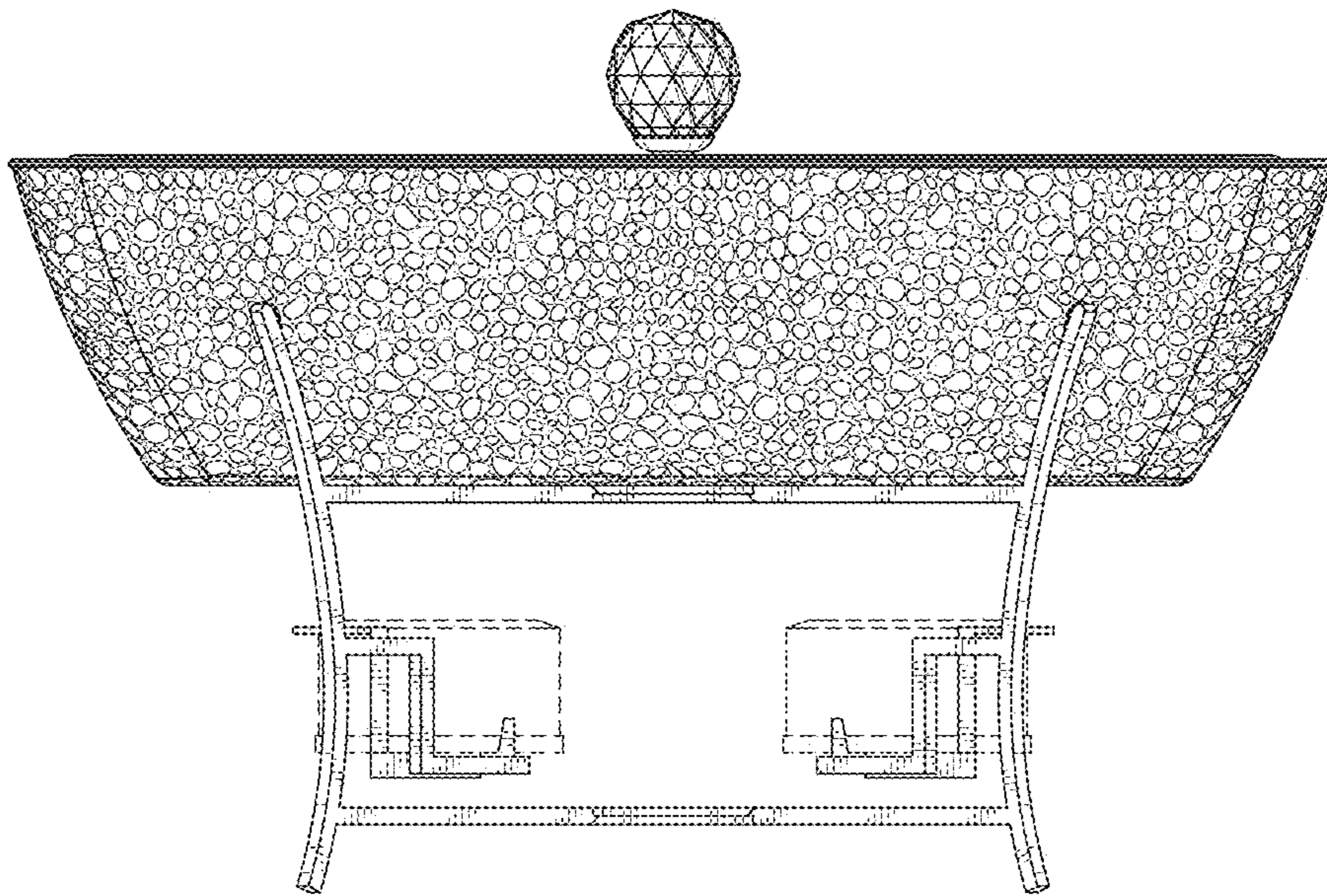


FIG. 6

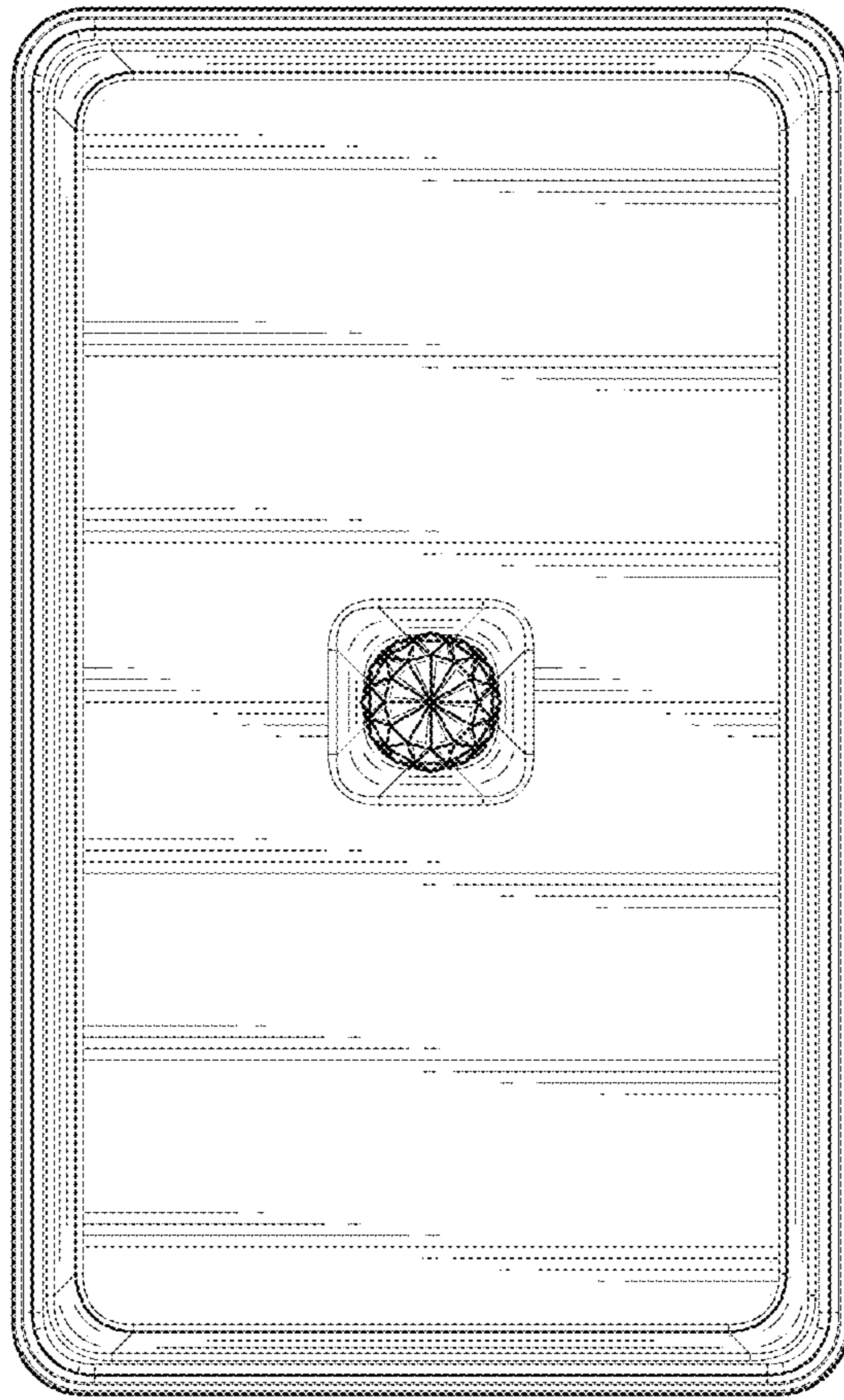


FIG. 7

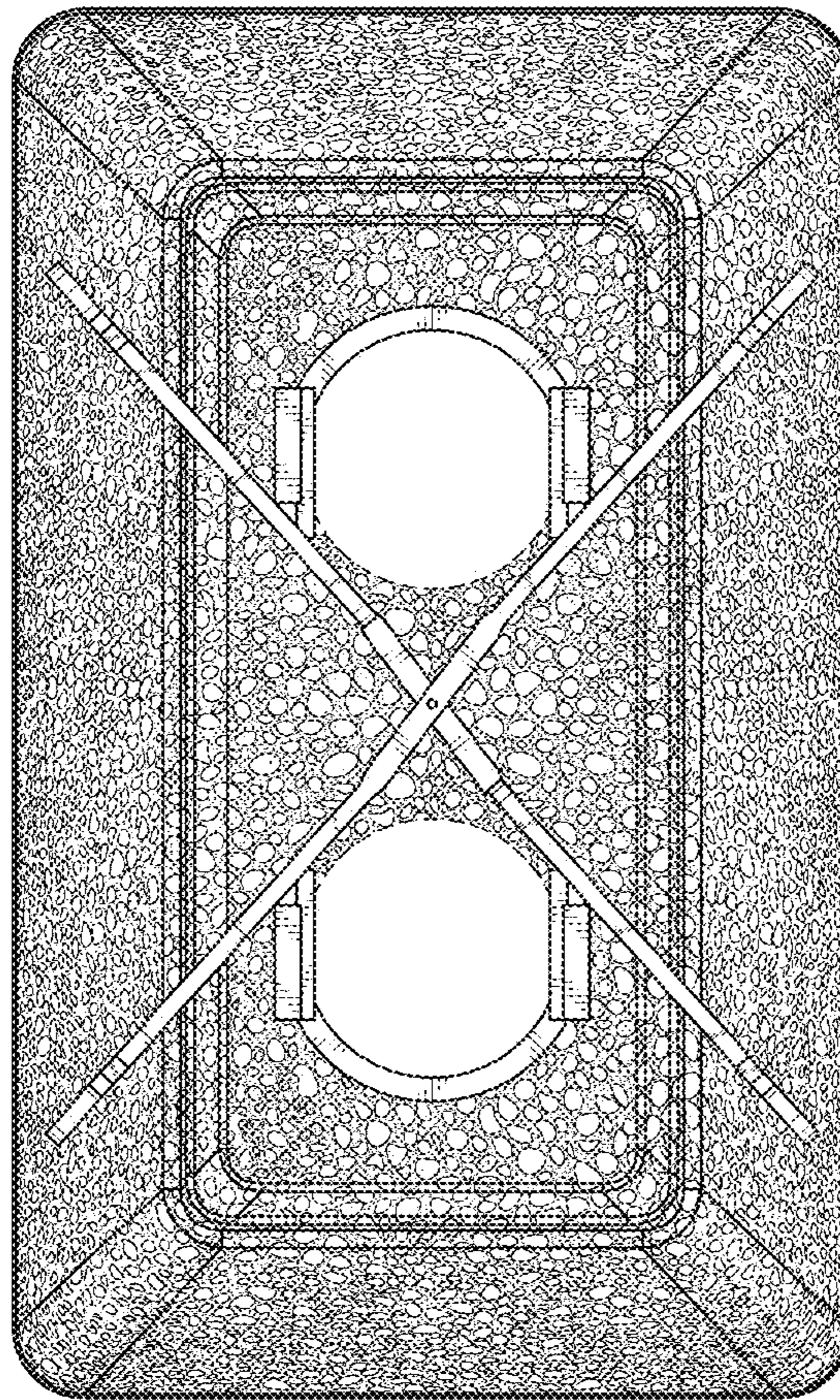
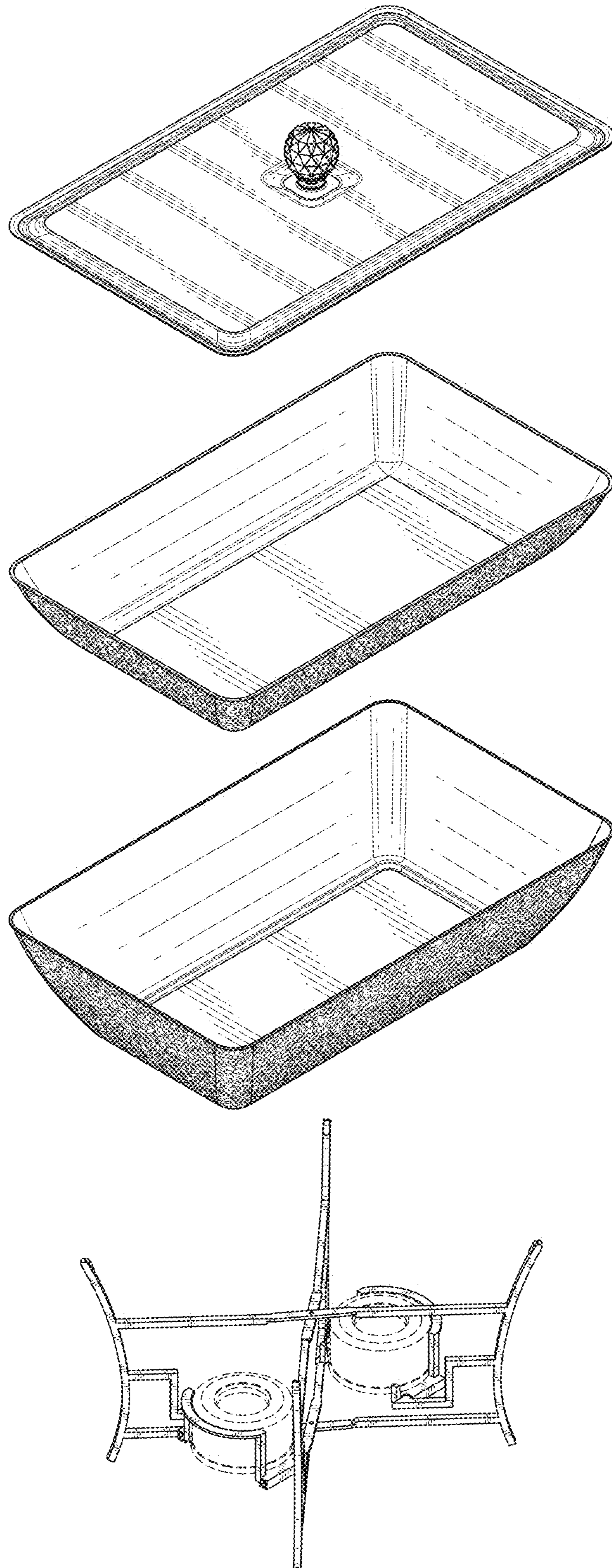


FIG. 8

FIG. 9



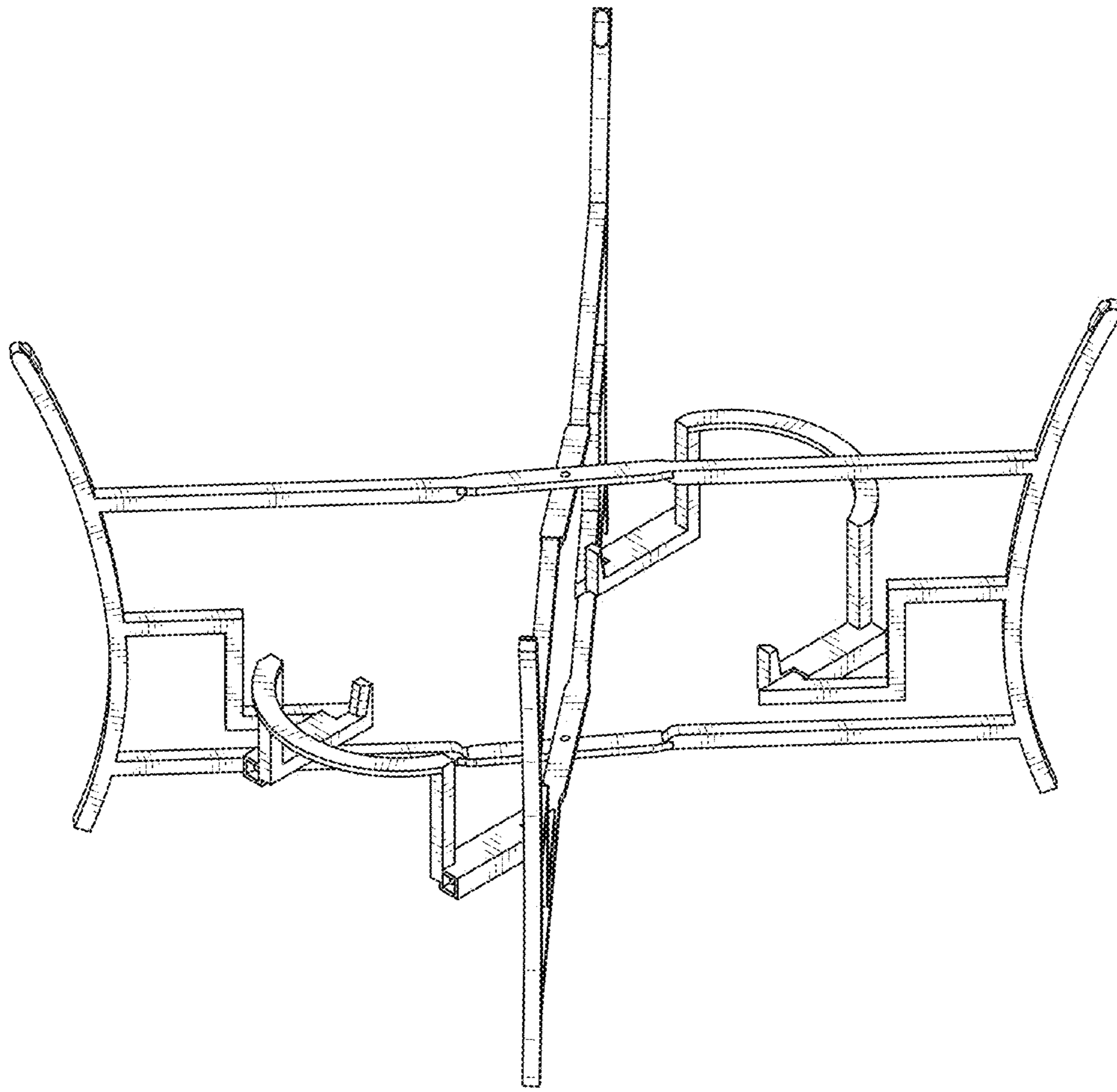


FIG. 10

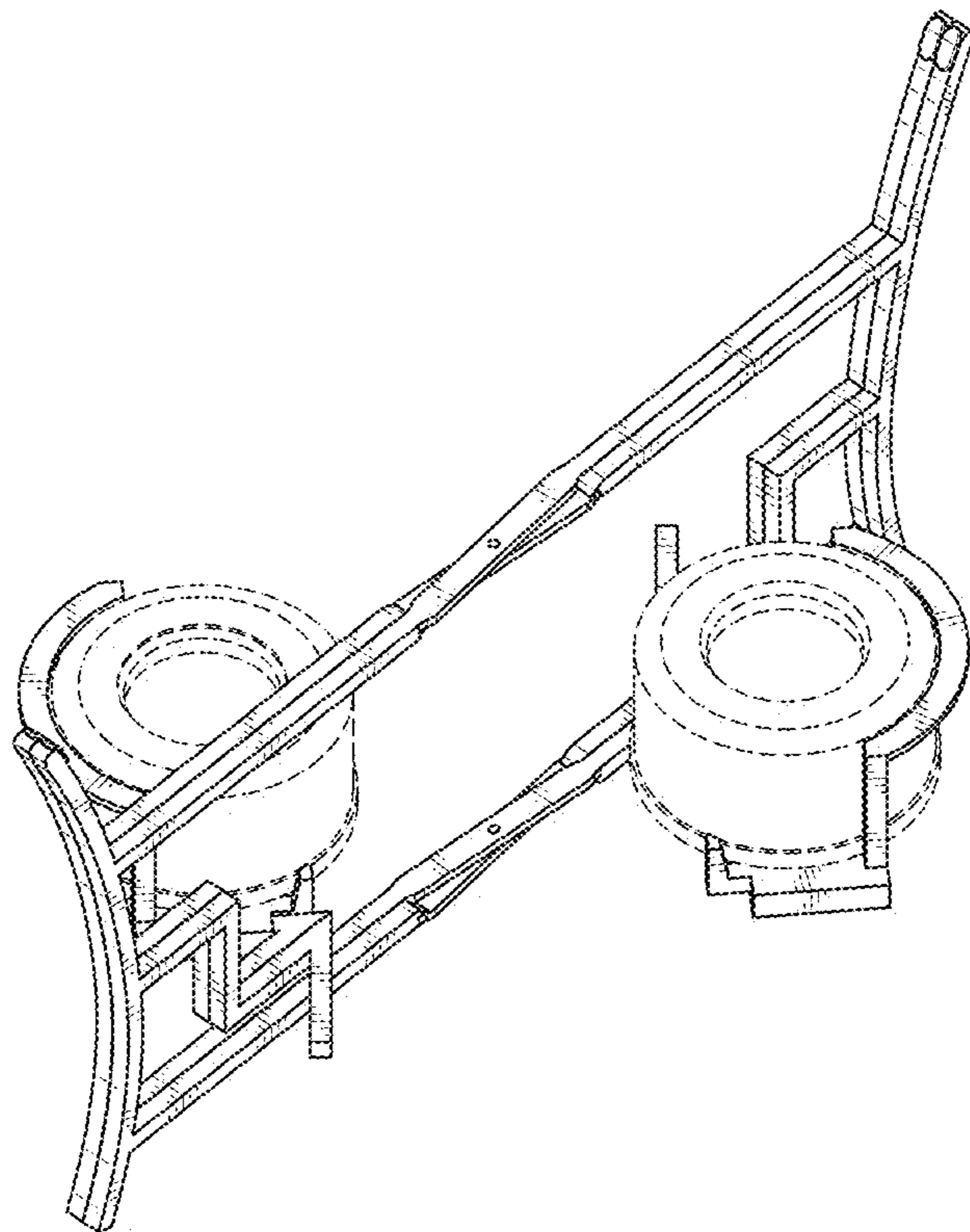


FIG. 11

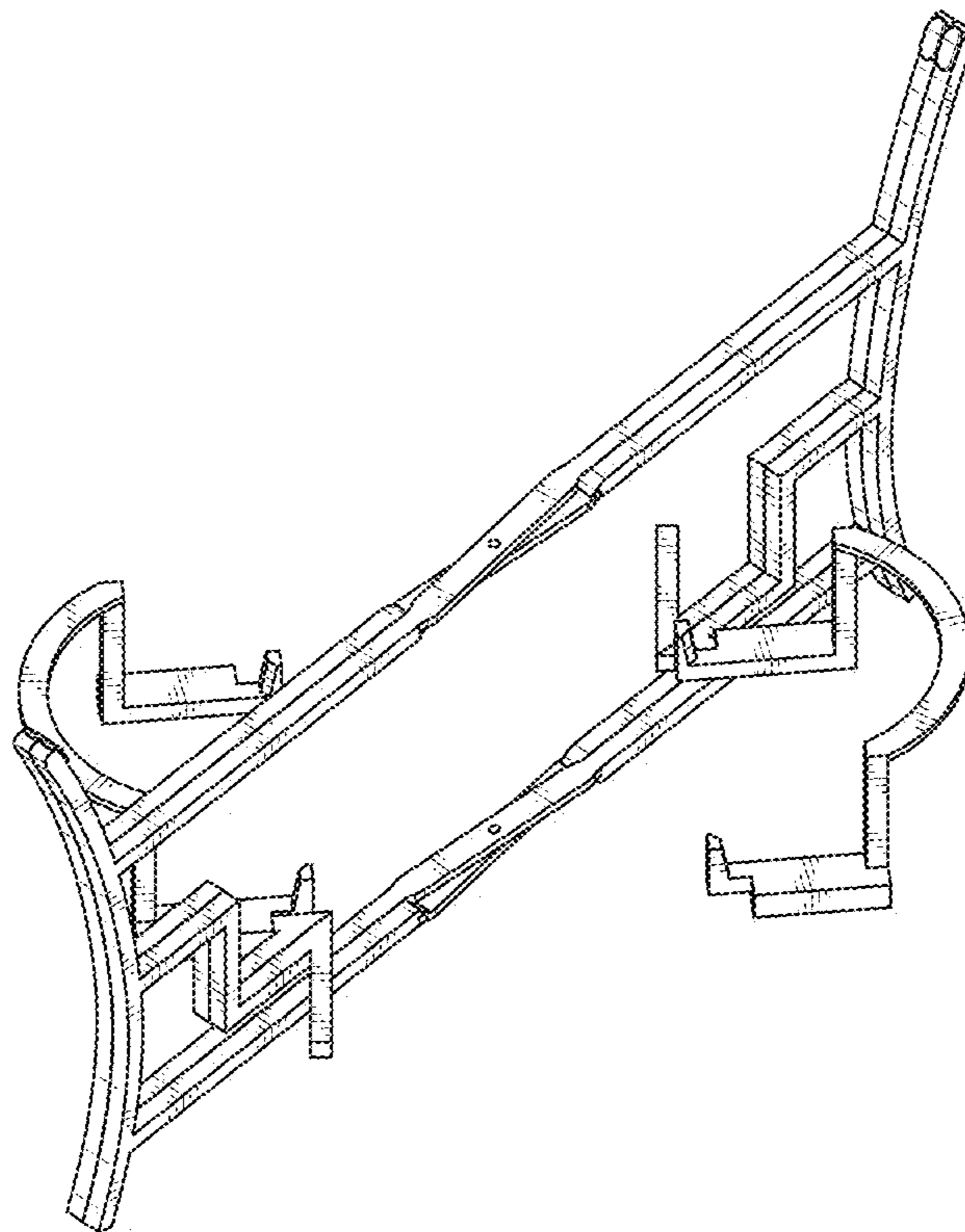


FIG. 12