



US00D891847S

(12) **United States Design Patent**
Seidl

(10) **Patent No.:** **US D891,847 S**

(45) **Date of Patent:** **** Aug. 4, 2020**

(54) **MACHINE FOR PREPARING BEVERAGES**

(71) Applicant: **Luigi Lavazza S.p.A.**, Turin (IT)

(72) Inventor: **Florian Seidl**, Turin (IT)

(73) Assignee: **Luigi Lavazza S.p.A.**, Turin (IT)

(**) Term: **15 Years**

(21) Appl. No.: **35/507,107**

(22) Filed: **Jan. 15, 2019**

(80) **Hague Agreement Data**

Int. Filing Date: **Jan. 15, 2019**

Int. Reg. No.: **DM/201375**

Int. Reg. Date: **Jan. 15, 2019**

Int. Reg. Pub. Date: **Jul. 19, 2019**

(51) **LOC (12) Cl.** **07-01**

(52) **U.S. Cl.**

USPC **D7/309; D7/311**

(58) **Field of Classification Search**

USPC D7/306, 309, 311, 362, 365, 367

CPC A47J 31/46; A47J 31/407; A47J 31/50;

A47J 31/18; A47J 31/00; A47J 27/04;

A47J 31/0573; A47J 31/52; A47J

31/0642; A47J 31/3628; A47J 31/4407;

A47J 31/36

See application file for complete search history.

(56) **References Cited**

U.S. PATENT DOCUMENTS

D596,441 S * 7/2009 Cahen D7/309

D674,232 S * 1/2013 Lavy D7/309

D674,233 S * 1/2013 Lavy D7/309

D695,054 S * 12/2013 De Pra D7/309

D755,000 S * 5/2016 Lovati D7/306

D779,257 S * 2/2017 Hale D7/306

D832,019 S * 10/2018 Cahen D7/306

D838,532 S * 1/2019 Seidl D7/311

D840,733 S * 2/2019 Hale D7/306

D841,383 S * 2/2019 Warburton D7/306

D868,535 S * 12/2019 Hale D7/397

D873,596 S * 1/2020 Steiner D7/309

D879,531 S * 3/2020 Cauwood D7/306

OTHER PUBLICATIONS

Two Screenshots: Lavazza 041953000648 Blue Classy Mini Single Serve Espresso Coffee Machine Lb 300, 5.3" x 13" x 10.2". Earliest date Jul. 25, 2019; one page. Found online Apr. 13, 2020 at https://www.amazon.com/Lavazza-Classy-Single-Espresso-Machine/dp/B07RVDJW56/ref=cm_cr_arp_d_product_top?ie=UTF8 (Year: 2019).*

* cited by examiner

Primary Examiner — Robert M. Spear

(74) *Attorney, Agent, or Firm* — Nixon & Vanderhye P.C.

(57) **CLAIM**

The ornamental design for a machine for preparing beverages, as shown and described.

DESCRIPTION

1.-2. Machine for preparing beverages

1.1—Rear elevational view;

1.2—Left side elevational view;

1.3—Front elevational view;

1.4—Top left rear perspective view;

1.5—Right side elevational view;

1.6—Top right front perspective view;

1.7—Top plan view;

2.1—Rear elevational view;

2.2—Front elevational view;

2.3—Left side elevational view;

2.4—Top left rear perspective view;

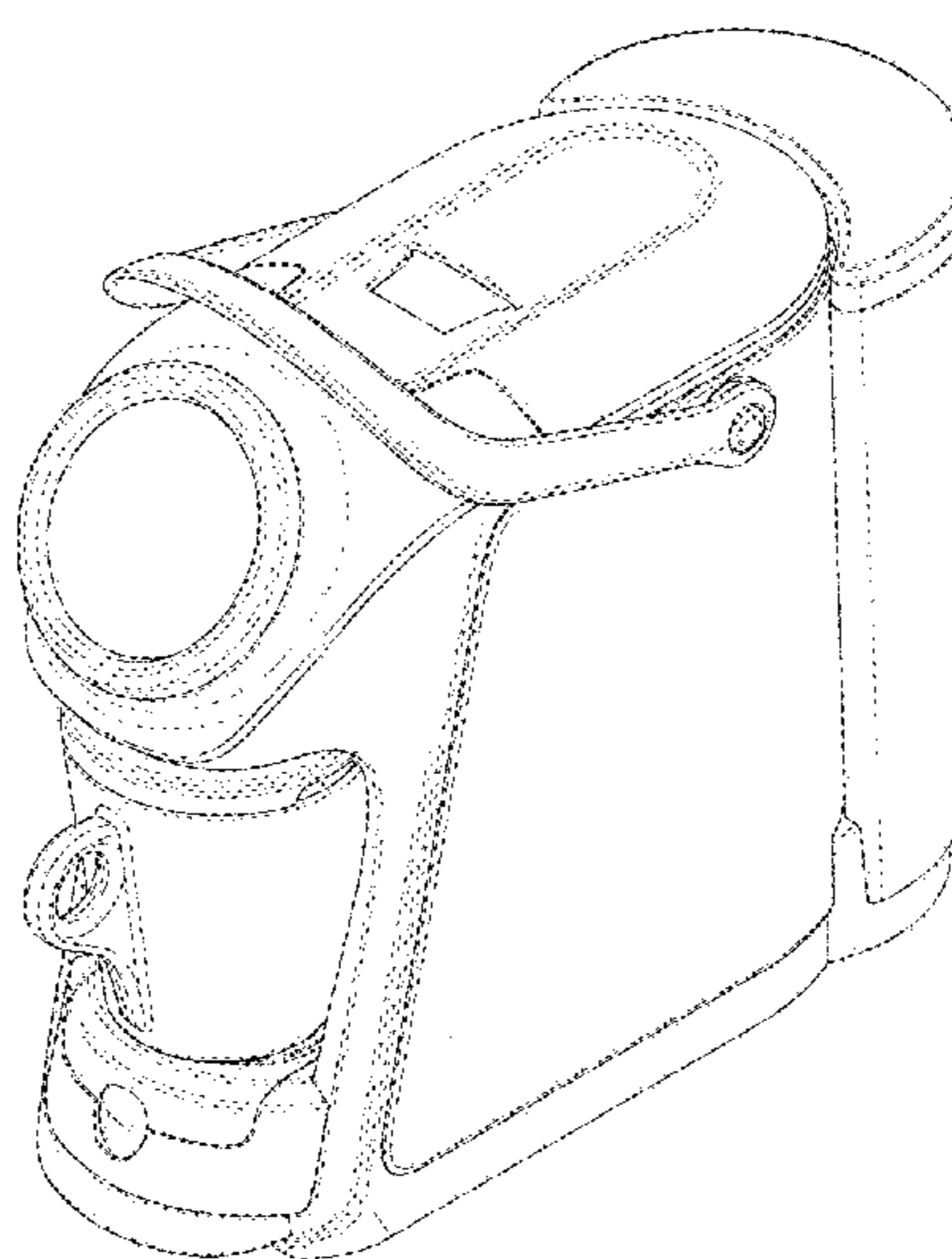
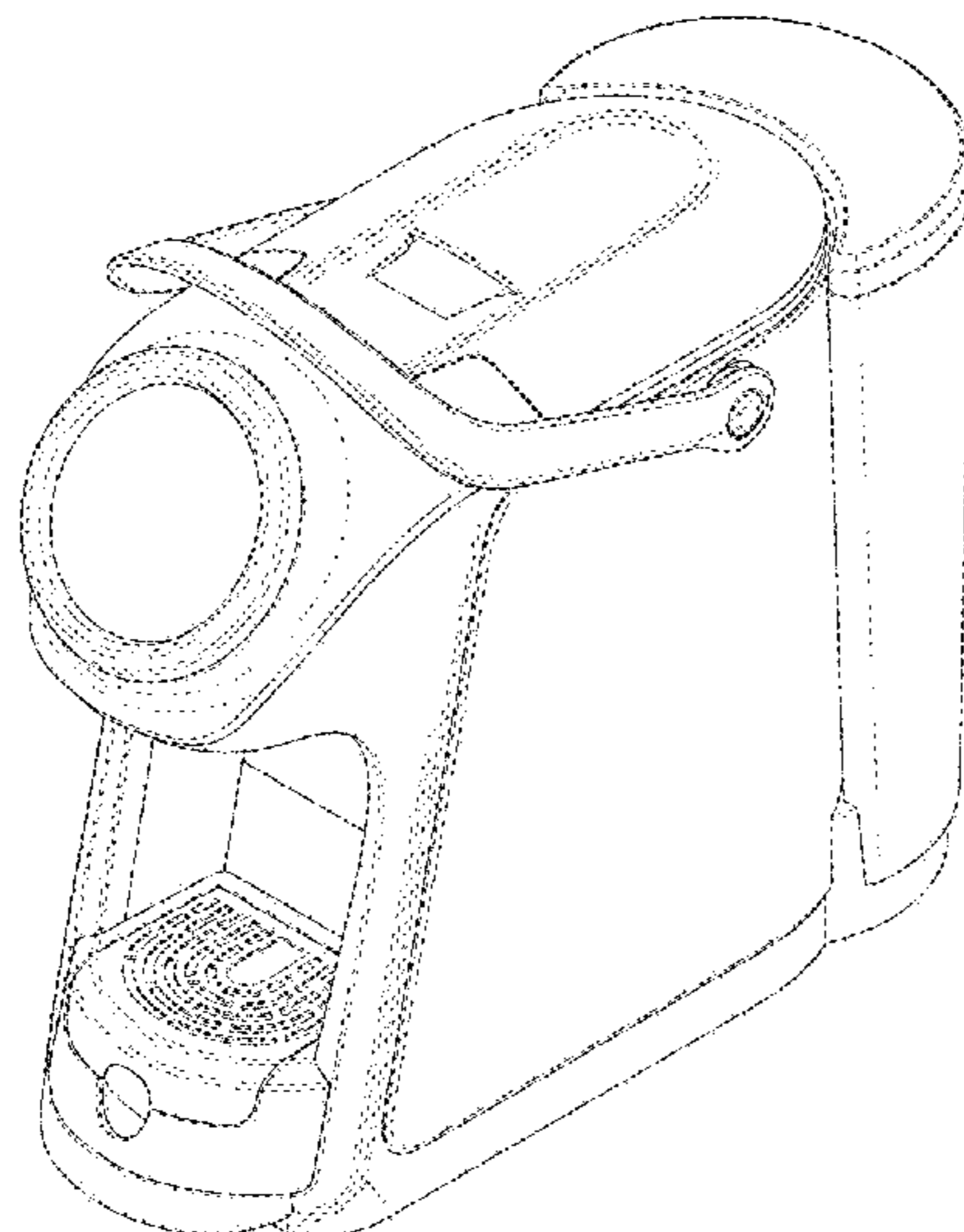
2.5—Right side elevational view;

2.6—Top plan view; and

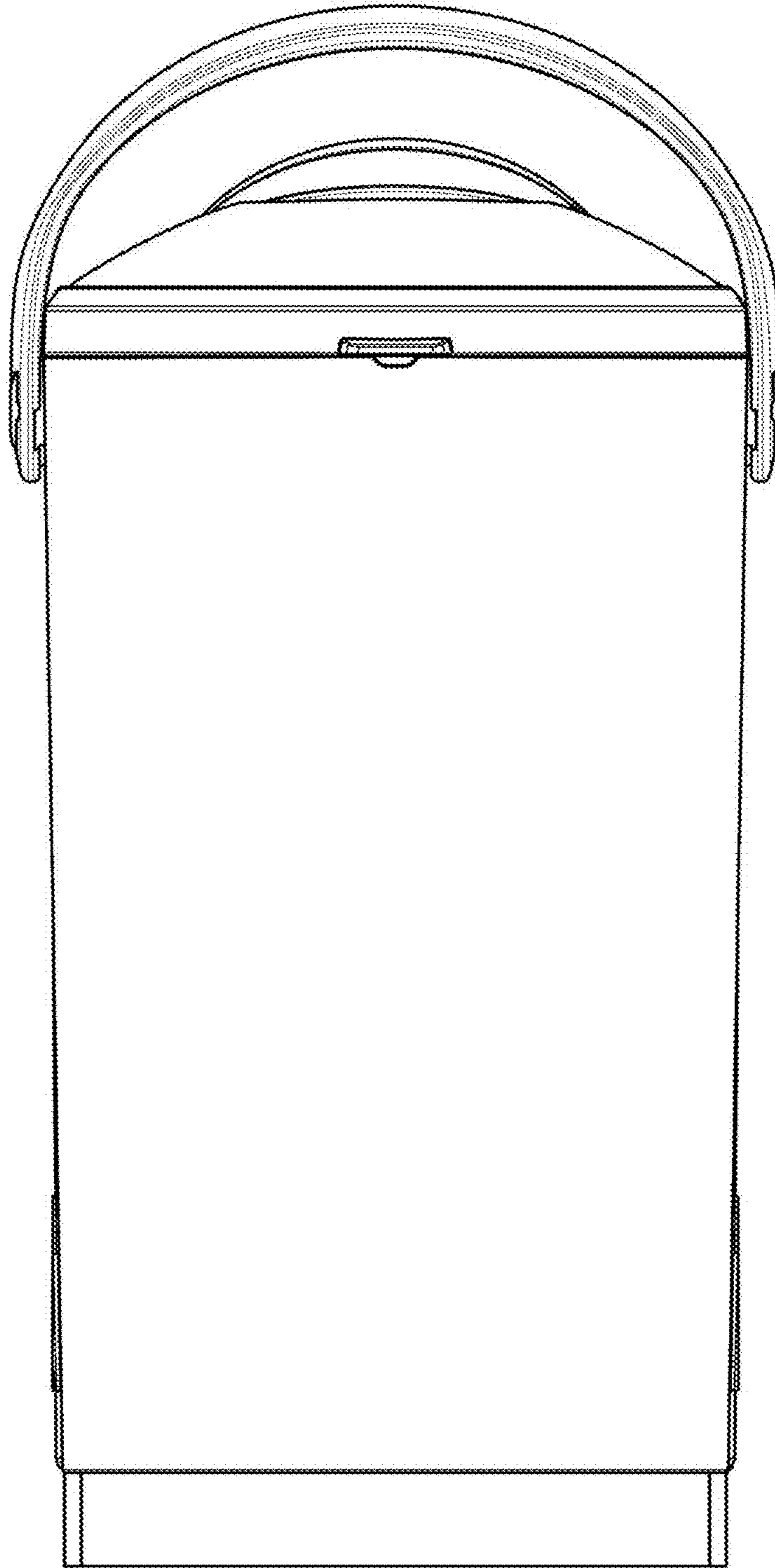
2.7—Top right front perspective view.

The broken line showing of a drip tray depicts environment and forms no part of the claim.

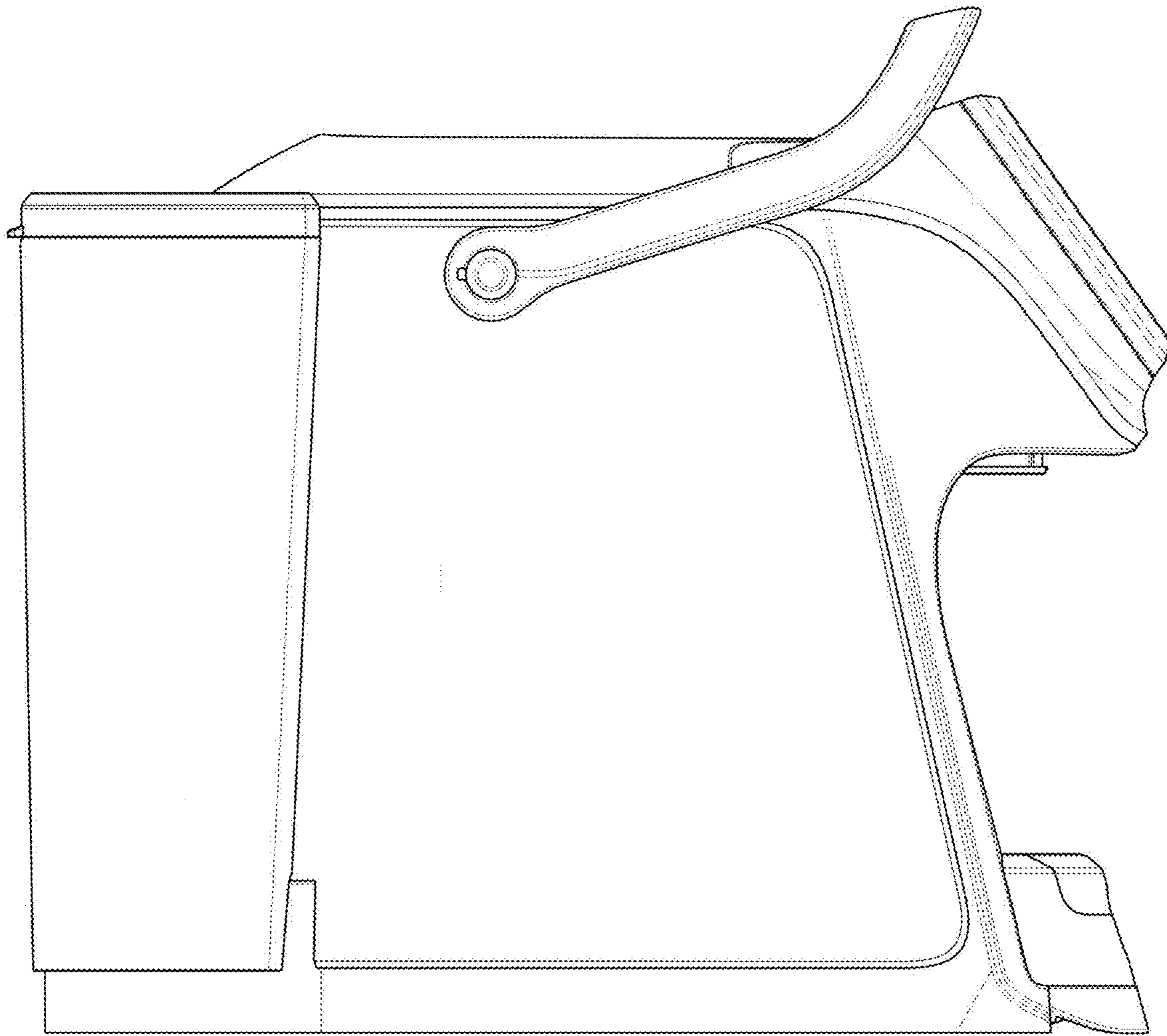
1 Claim, 14 Drawing Sheets



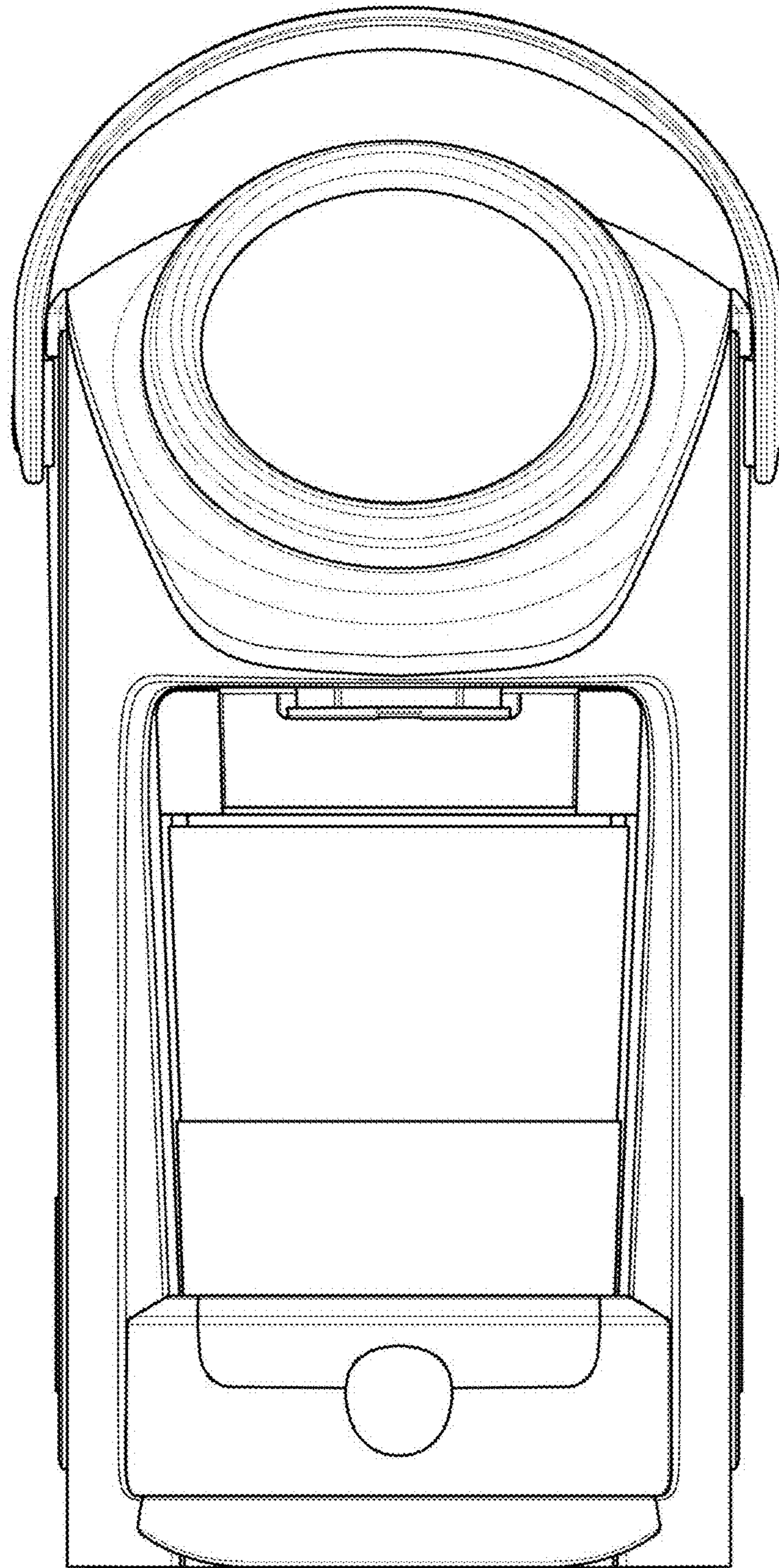
1.1



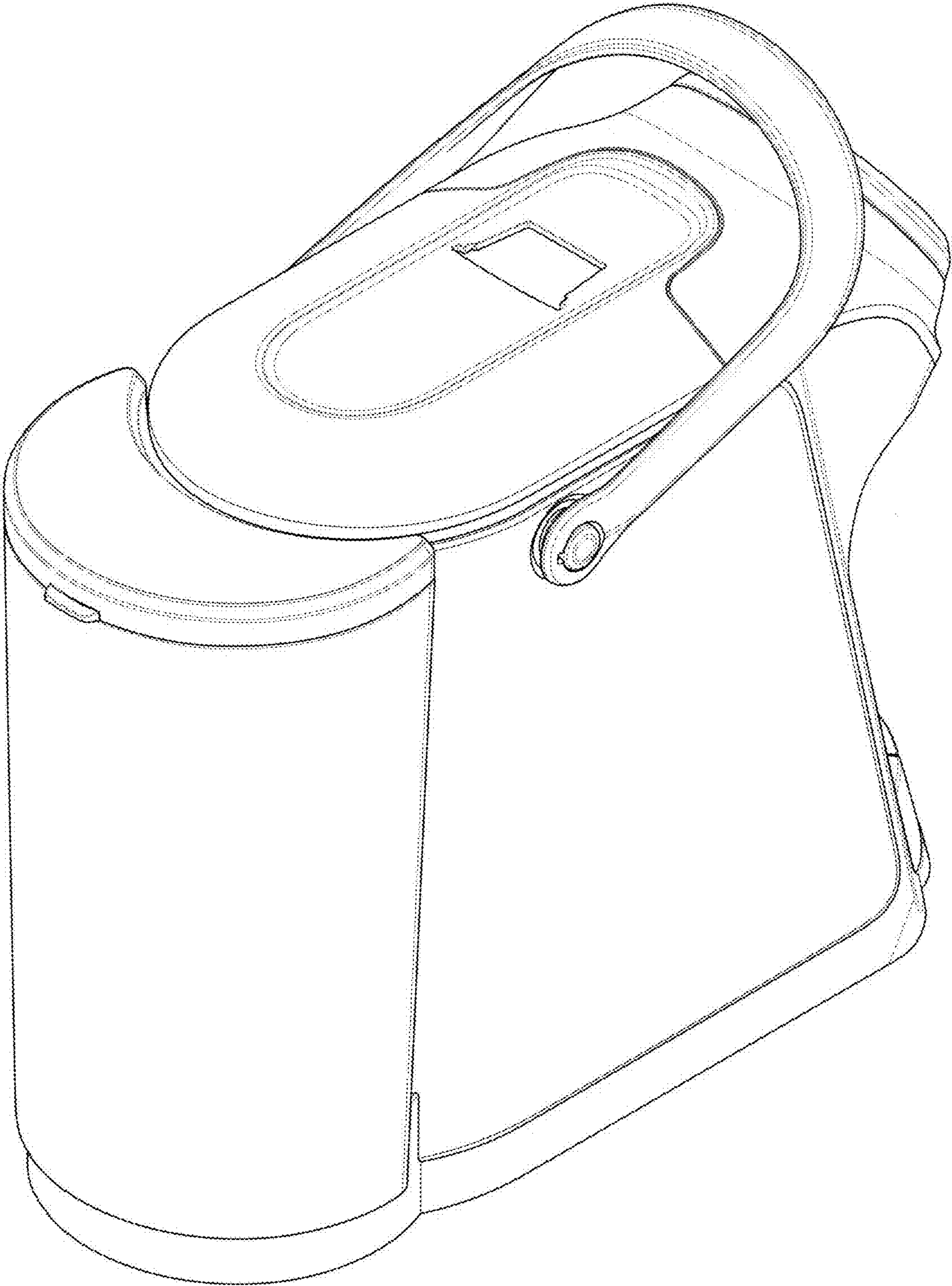
1.2



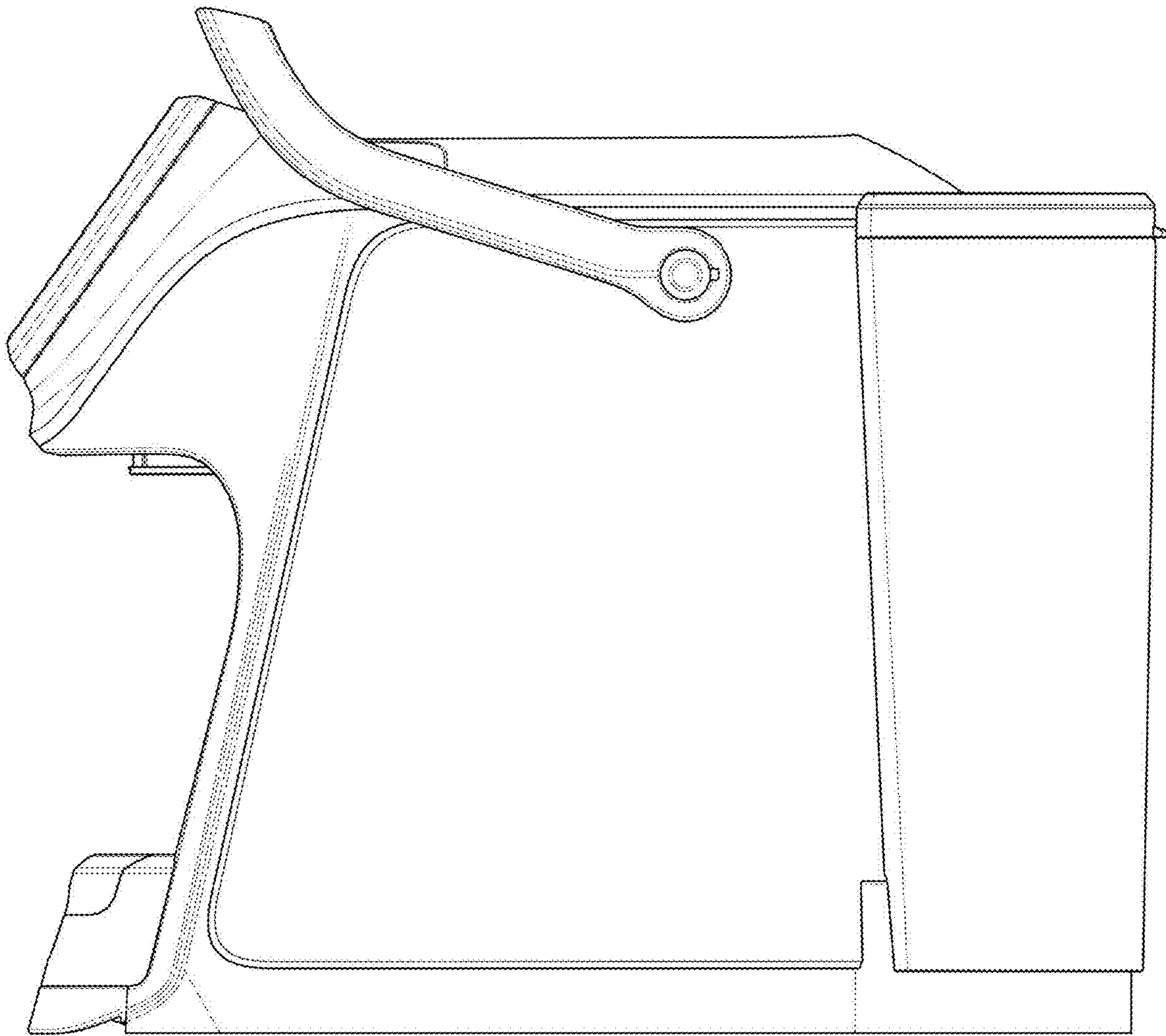
1.3



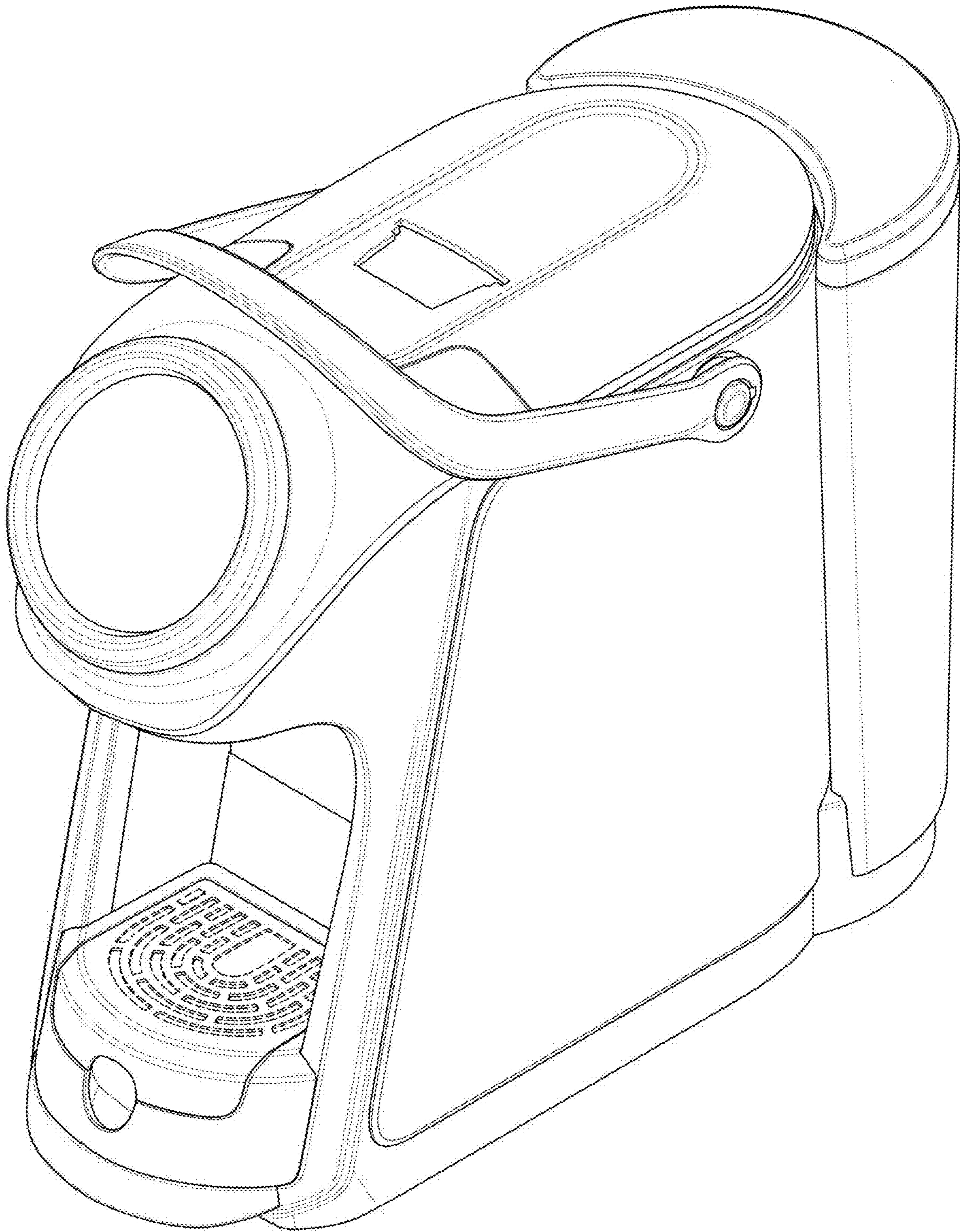
1.4



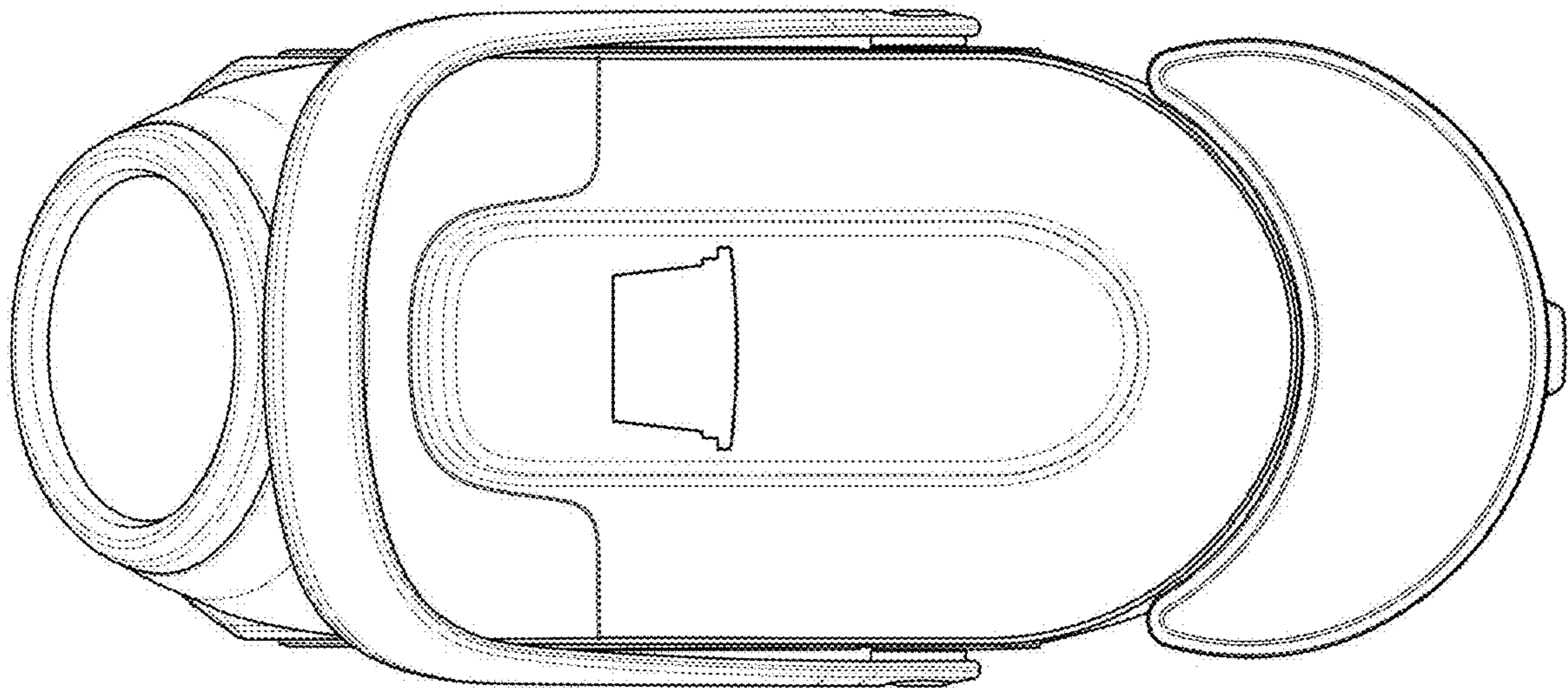
1.5



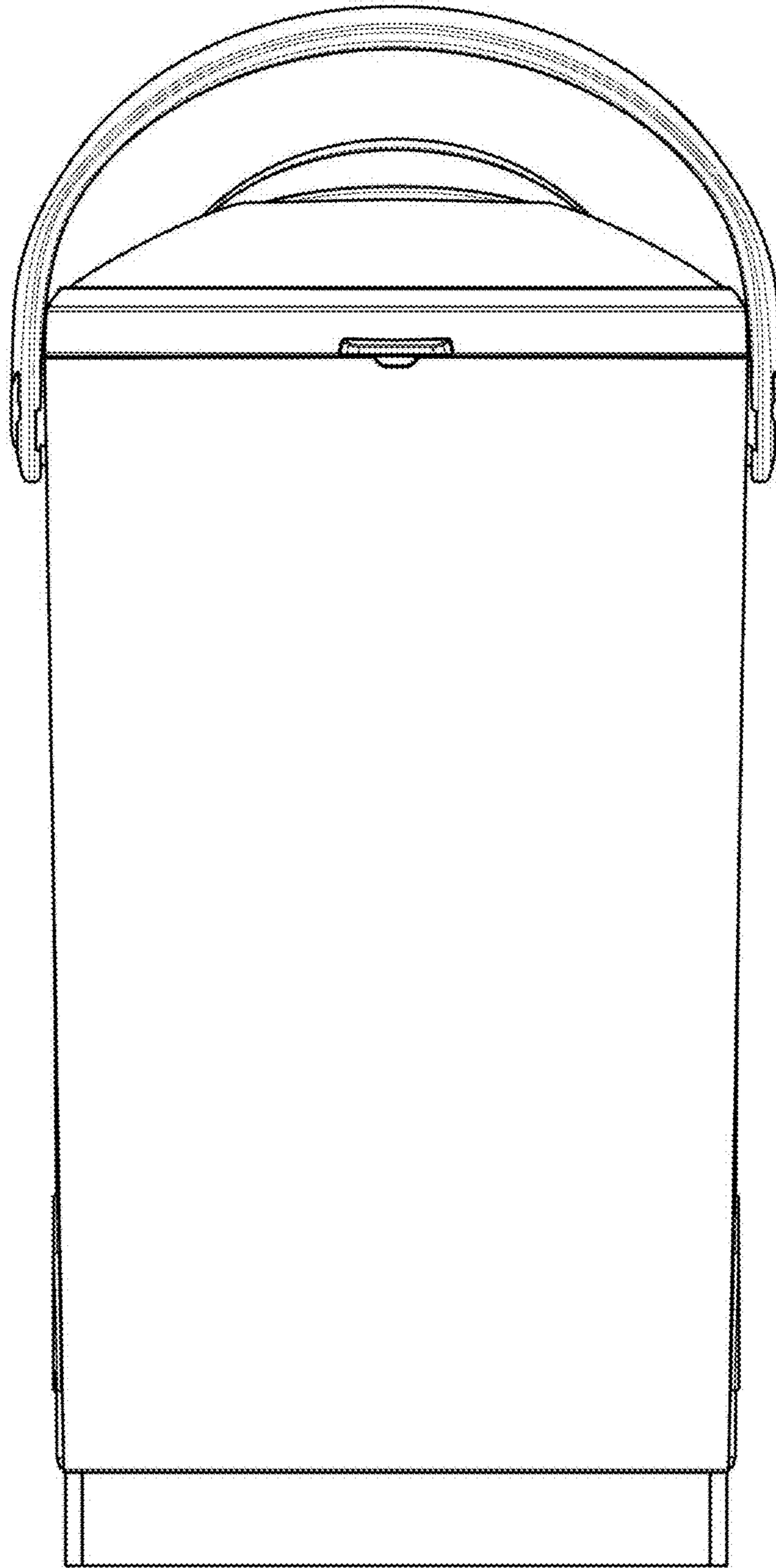
1.6



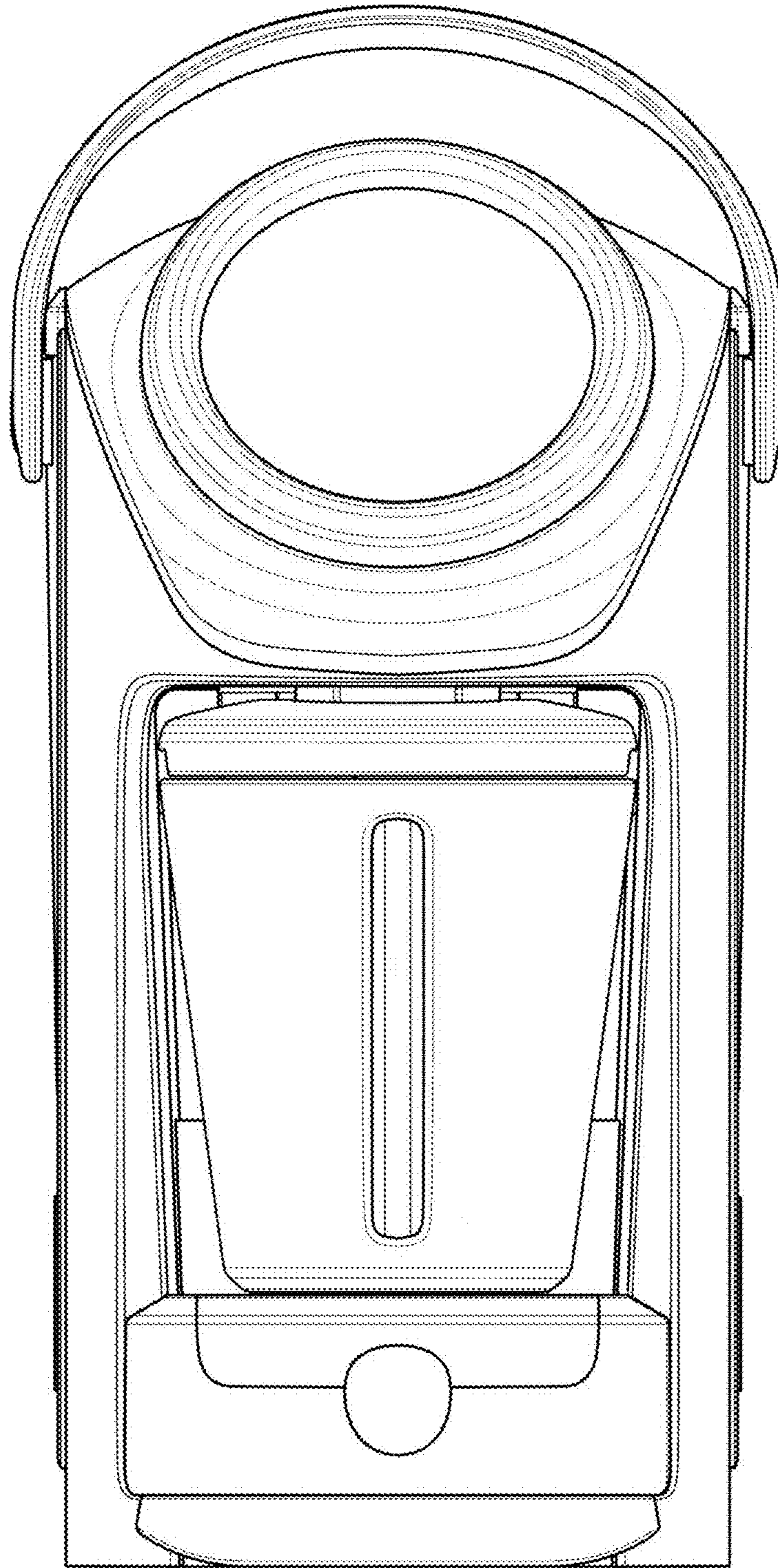
1.7



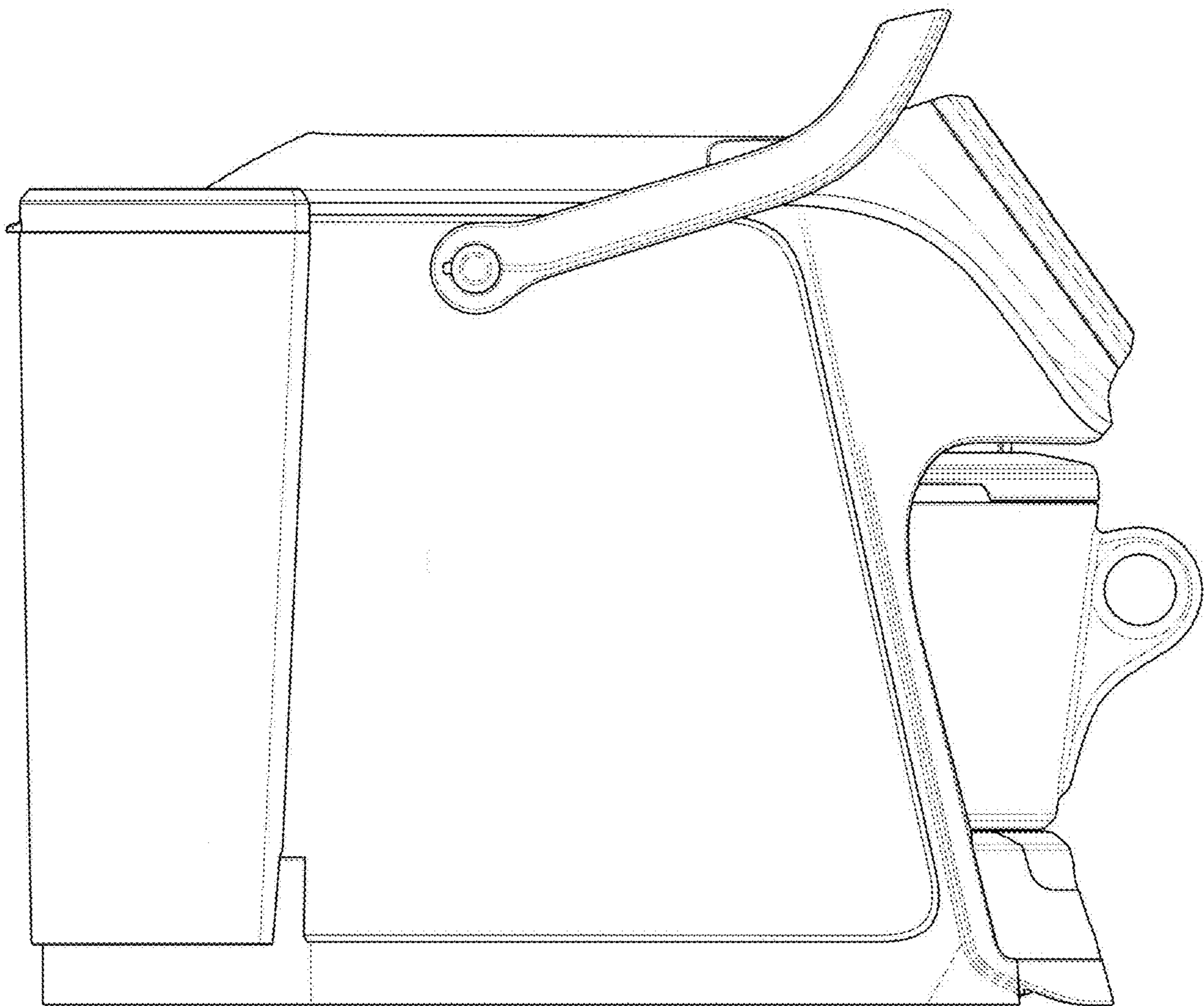
2.1



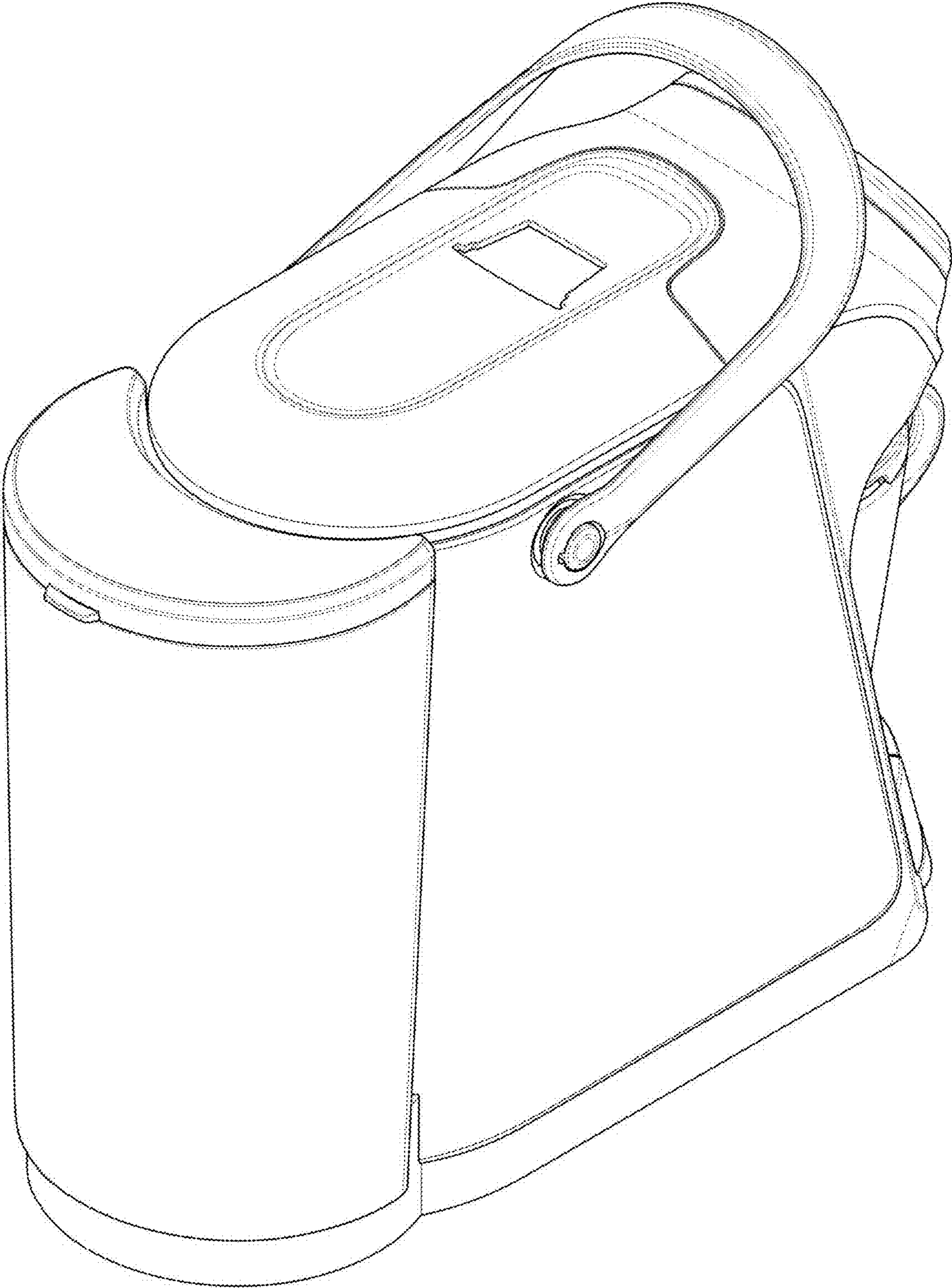
2.2



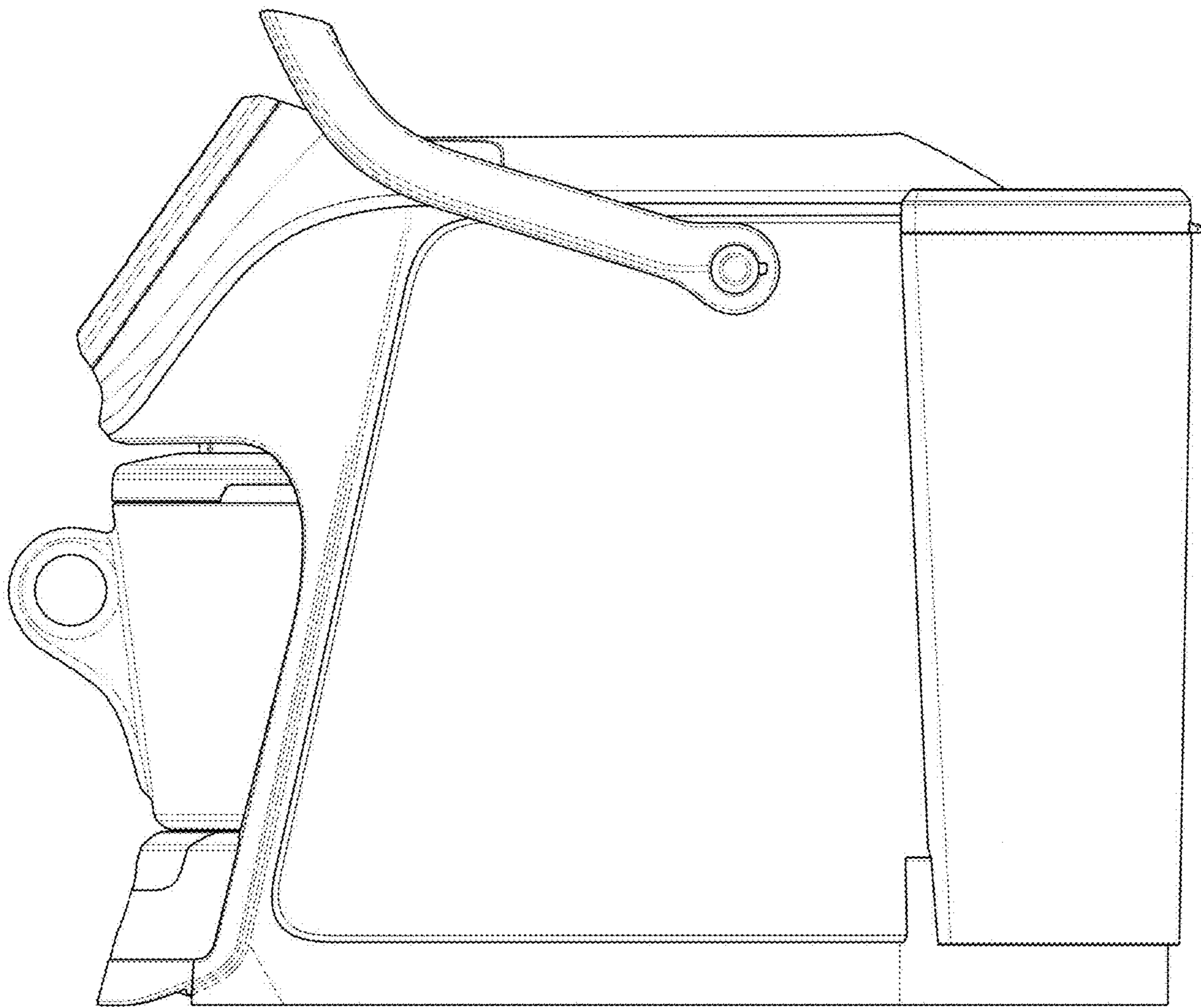
2.3



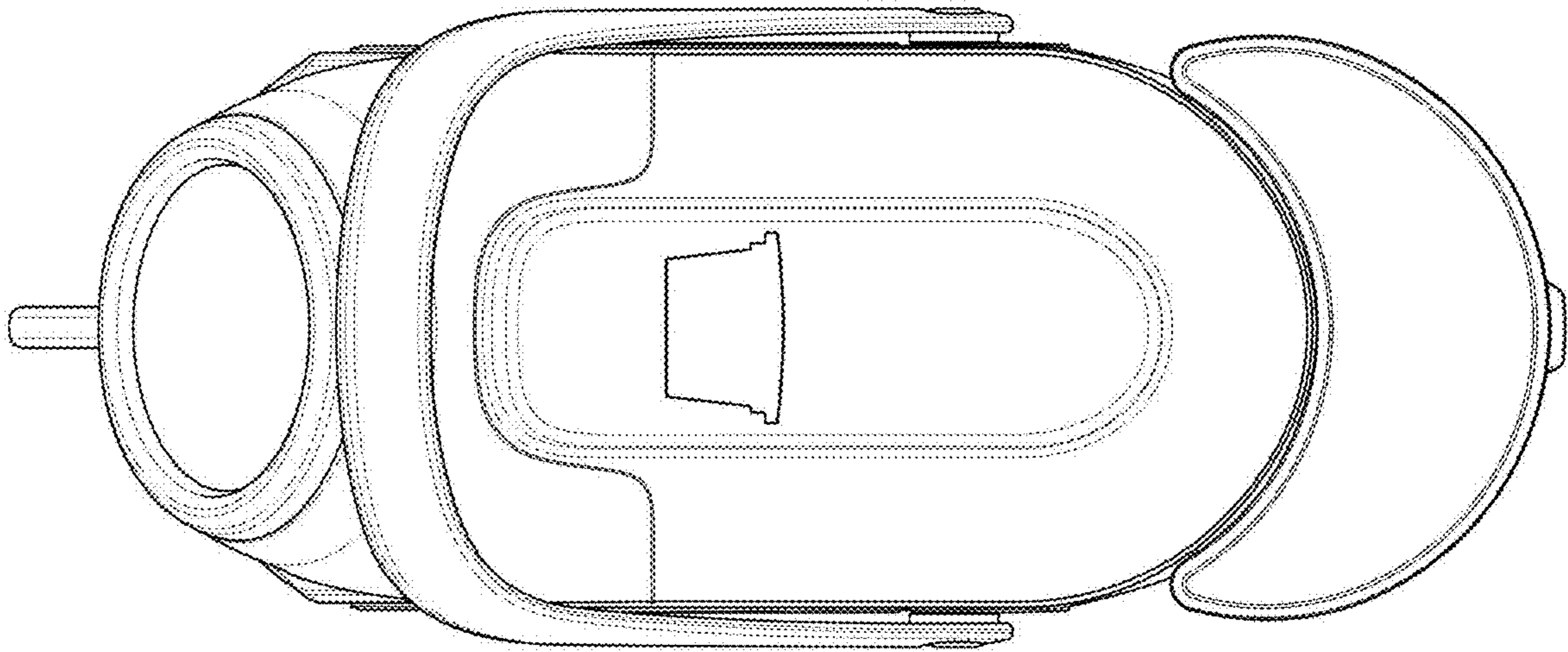
2.4



2.5



2.6



2.7

