

US00D891845S

(12) **United States Design Patent** (10) **Patent No.:** **US D891,845 S**
Rummel et al. (45) **Date of Patent:** **** Aug. 4, 2020**

(54) **WATER DISPENSER**
(71) Applicant: **Brita GmbH**, Taunusstein (DE)
(72) Inventors: **Christian Rummel**, Benningen (DE);
Tim Storti, Schwieberdingen (DE)
(73) Assignee: **BRIA GMBH**, Taunusstein (DE)
(**) Term: **15 Years**
(21) Appl. No.: **35/507,134**
(22) Filed: **Jan. 9, 2019**

D608,131 S * 1/2010 Meldrum D7/307
D649,391 S * 11/2011 Goralski D7/300
D671,346 S * 11/2012 Zlatic D23/208
D692,713 S * 11/2013 Diehl D7/306
D701,073 S * 3/2014 Liu D7/307
D718,573 S * 12/2014 De Pra D7/300
D718,971 S * 12/2014 Young D7/306
D728,985 S * 5/2015 Brunner F25C 5/22
D731,839 S * 6/2015 Tomasson D7/306
D736,024 S * 8/2015 Taubman D7/306
D775,887 S * 1/2017 Atkin D7/306
D789,133 S * 6/2017 Gnadinger D7/307
D789,141 S * 6/2017 Mohammed D15/82
D790,898 S * 7/2017 Taubman D7/305
D792,739 S * 7/2017 Palermo D7/306

(Continued)

(80) **Hague Agreement Data**

Int. Filing Date: **Jan. 9, 2019**
Int. Reg. No.: **DM/202090**
Int. Reg. Date: **Jan. 9, 2019**
Int. Reg. Pub. Date: **Aug. 2, 2019**

(51) **LOC (12) Cl.** **07-01**

(52) **U.S. Cl.**
USPC **D7/306; D7/308**

(58) **Field of Classification Search**
USPC D7/300, 305, 306, 307, 308, 309, 311,
D7/397
CPC B67D 1/0054; B67D 1/36;
B67D 2210/0065; B67D 1/0864; B67D
1/0009; B67D 3/0061; A47J 31/46; A47J
31/4482; A47J 31/369; A47J 31/407;
A47J 31/10; A47J 31/467; A47J 31/0615;
A47J 31/32

See application file for complete search history.

(56) **References Cited**

U.S. PATENT DOCUMENTS

D121,005 S * 6/1940 Wright D20/4
D183,532 S * 9/1958 McCauley D7/311
3,266,670 A * 8/1966 Brooks A47J 31/401
222/54
D268,840 S * 5/1983 Reed D15/82
D426,418 S * 6/2000 Norvell D7/300

OTHER PUBLICATIONS

Two screenshots: White Bottleless (sic) Countertop Hot and Cold Electric Water Cooler (Part No. A8CTBOTTLELESSWHT). Earliest rating date Aug. 17, 2016; one page. Found online Apr. 22, 2020 at (Year: 2016).*

(Continued)

Primary Examiner — Robert M. Spear
(74) *Attorney, Agent, or Firm* — Hudak, Shunk & Farine Co. LPA

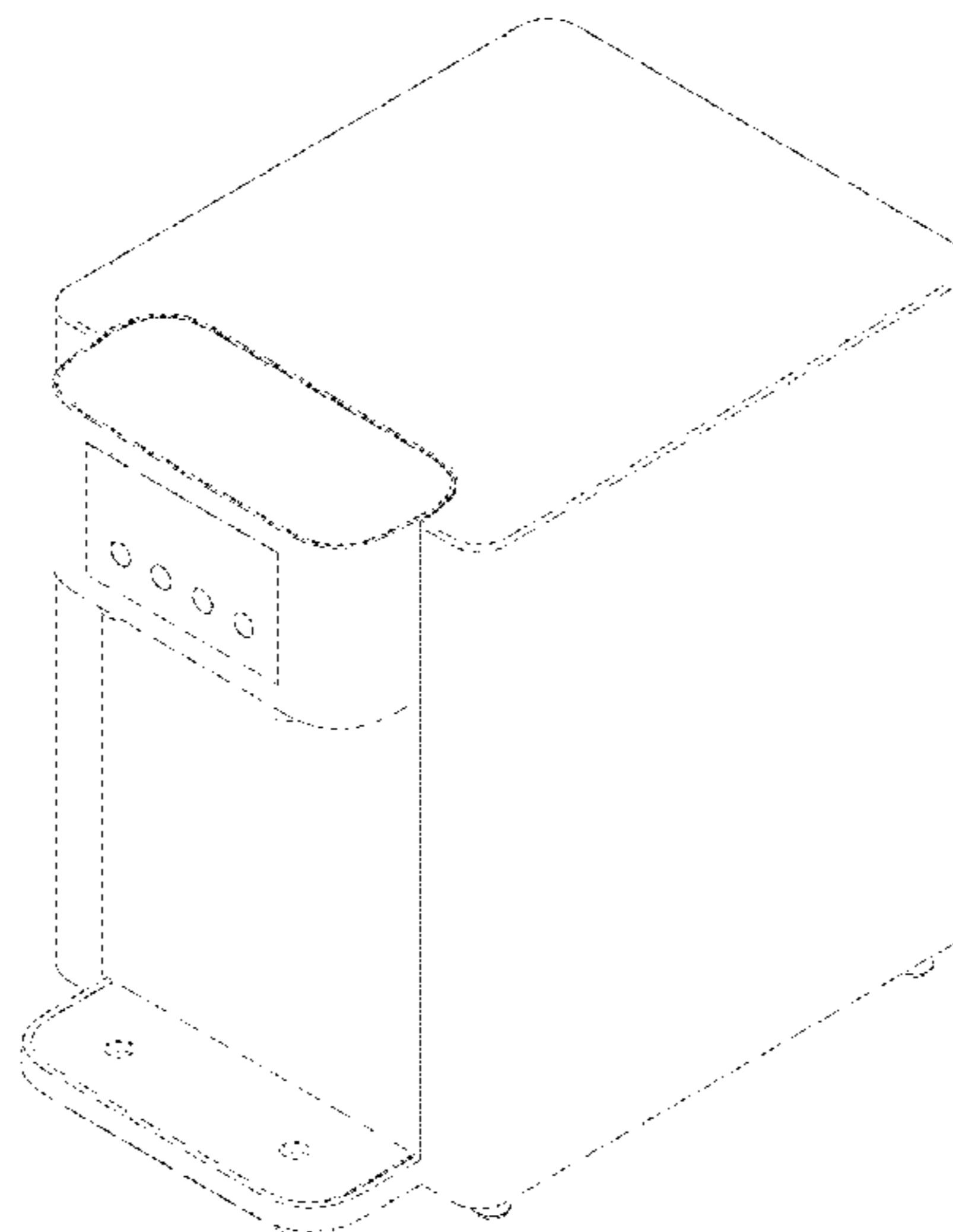
(57) **CLAIM**

The ornamental design for water dispenser, as shown and described.

DESCRIPTION

- 1. Water dispenser
- 1.1 : Perspective
- 1.2 : Top
- 1.3 : Bottom
- 1.4 : Right
- 1.5 : Left
- 1.6 : Back
- 1.7 : Front

1 Claim, 7 Drawing Sheets



(56)

References Cited

U.S. PATENT DOCUMENTS

9,767,635 B2 * 9/2017 Yuyama B65B 43/46
D798,642 S * 10/2017 Behar D7/306
D801,744 S * 11/2017 Gold D7/306
D822,154 S * 7/2018 Lee D23/207
D823,628 S * 7/2018 Steiner D7/309
D839,990 S * 2/2019 Burke D23/209
D841,382 S * 2/2019 Broen D7/306
D842,966 S * 3/2019 Shin D23/207
D848,212 S * 5/2019 Mohammed D7/397
D856,058 S * 8/2019 Szabo D7/306
D873,071 S * 1/2020 Broen D7/397
D873,596 S * 1/2020 Steiner D7/309
D876,866 S * 3/2020 Haas D7/306

D878,130 S * 3/2020 Knoll D7/306
D878,465 S * 3/2020 Backstrom D20/1
D882,037 S * 4/2020 Roh D23/207

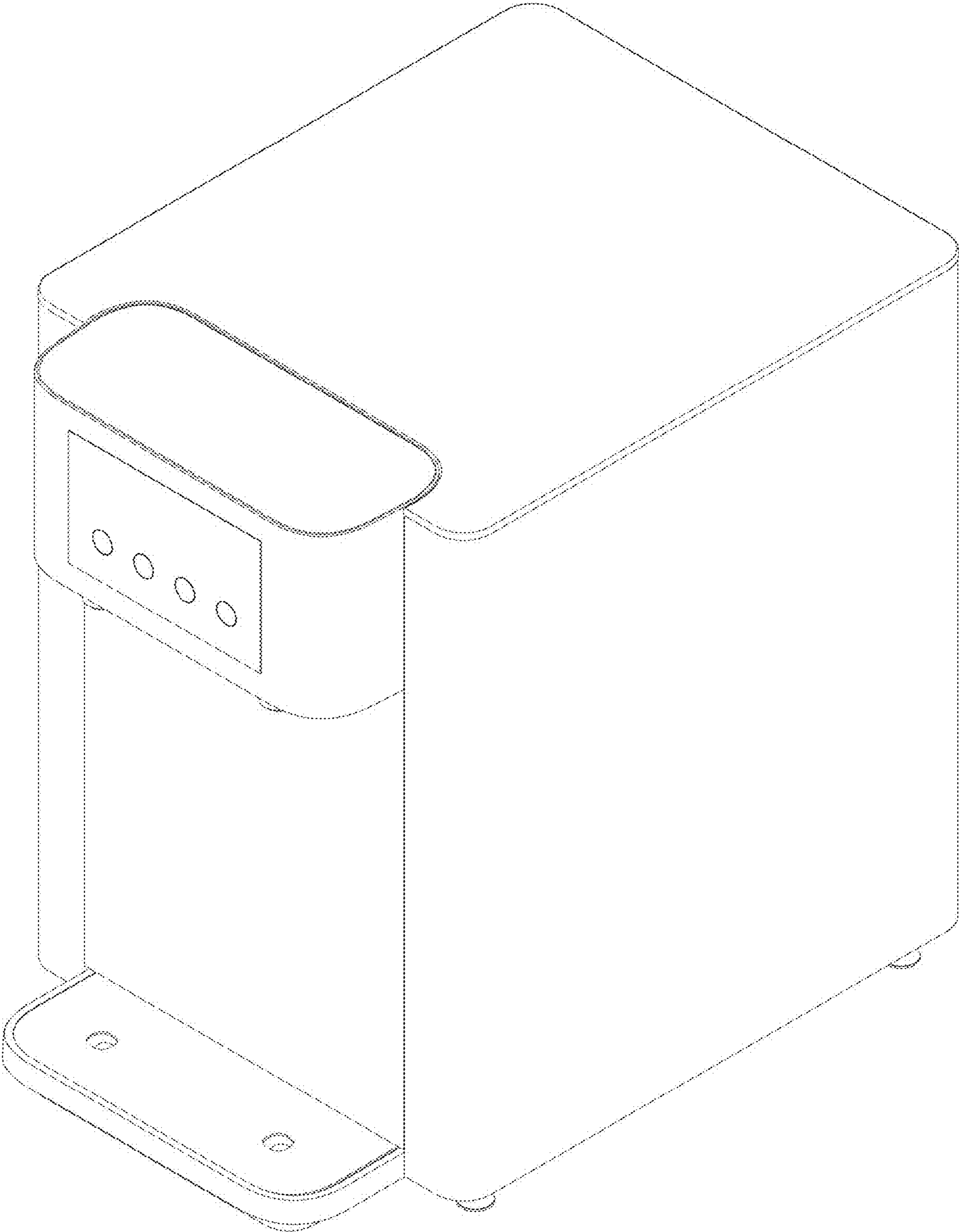
OTHER PUBLICATIONS

Screenshot: Avalon A12 Countertop Bottleless Water Dispenser, 3 Temperatures, Self Cleaning, Stainless Steel. Earliest rating date Nov. 18, 2018; one page. Found online Apr. 22, 2020 at <https://www.amazon.com/dp/B079VHRG56?tag=thedoublechecktable-20&linkCode=ogi&th=1> (Year: 2018).*

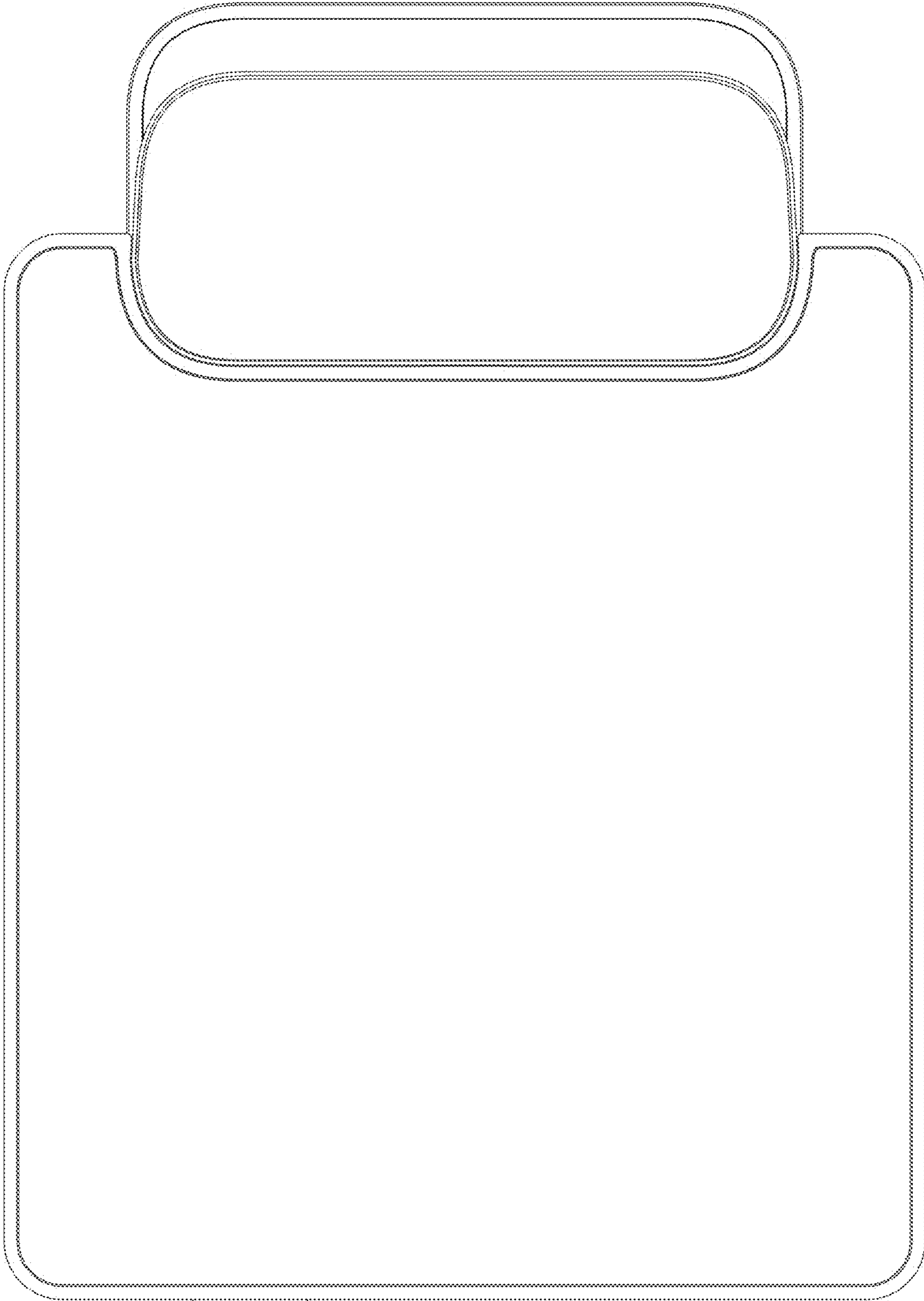
Two screenshots: Brio Bottleless Countertop Water Dispenser w/ 2 Stage 10" Standard Size Filter Housing Filtration System by Brio and Magic Mountain Water Products Red. Earliest review date Jun. 27, 2018; one page. Found online Apr. 22, 2020 at (Year: 2018).*

* cited by examiner

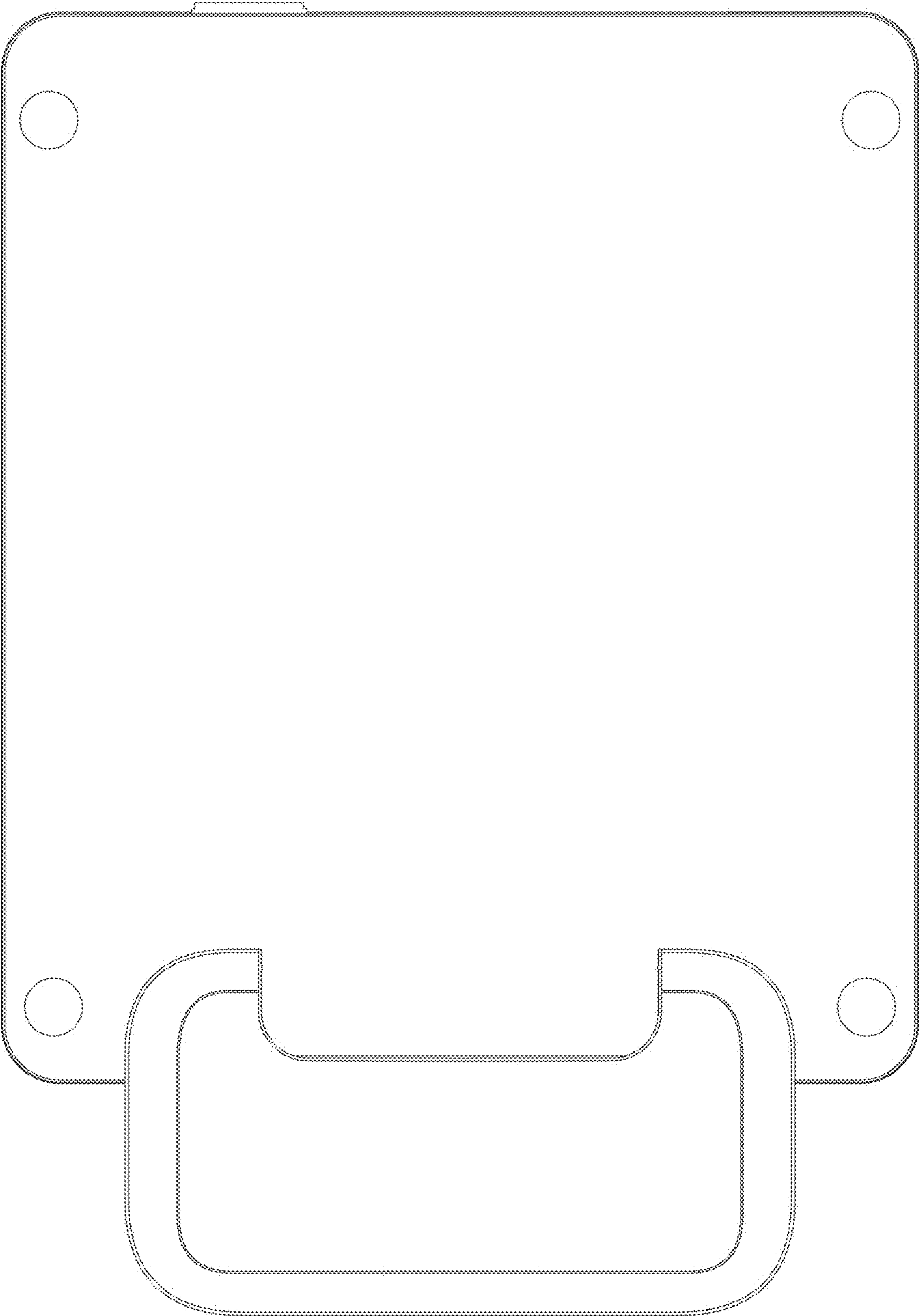
1.1

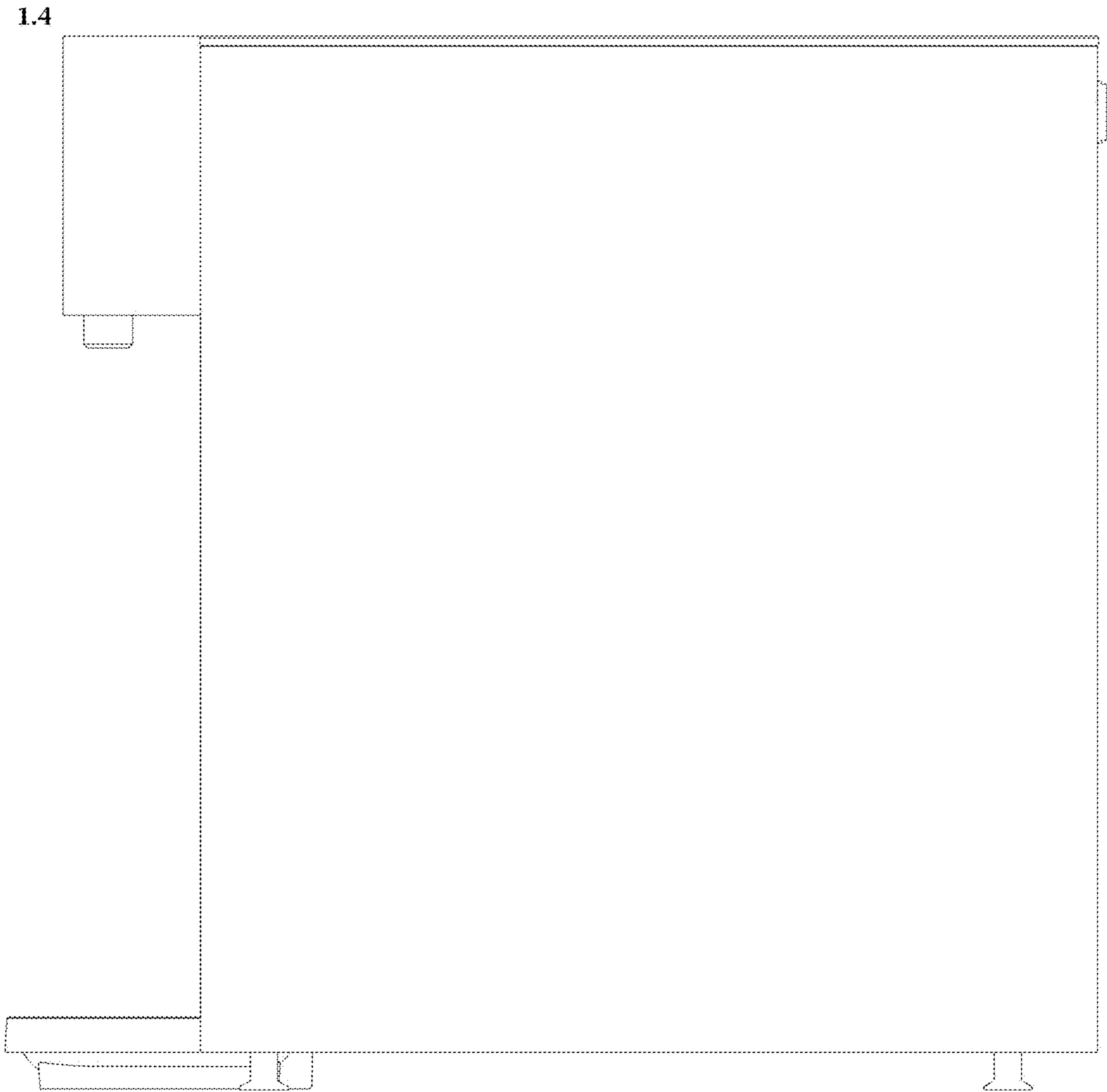


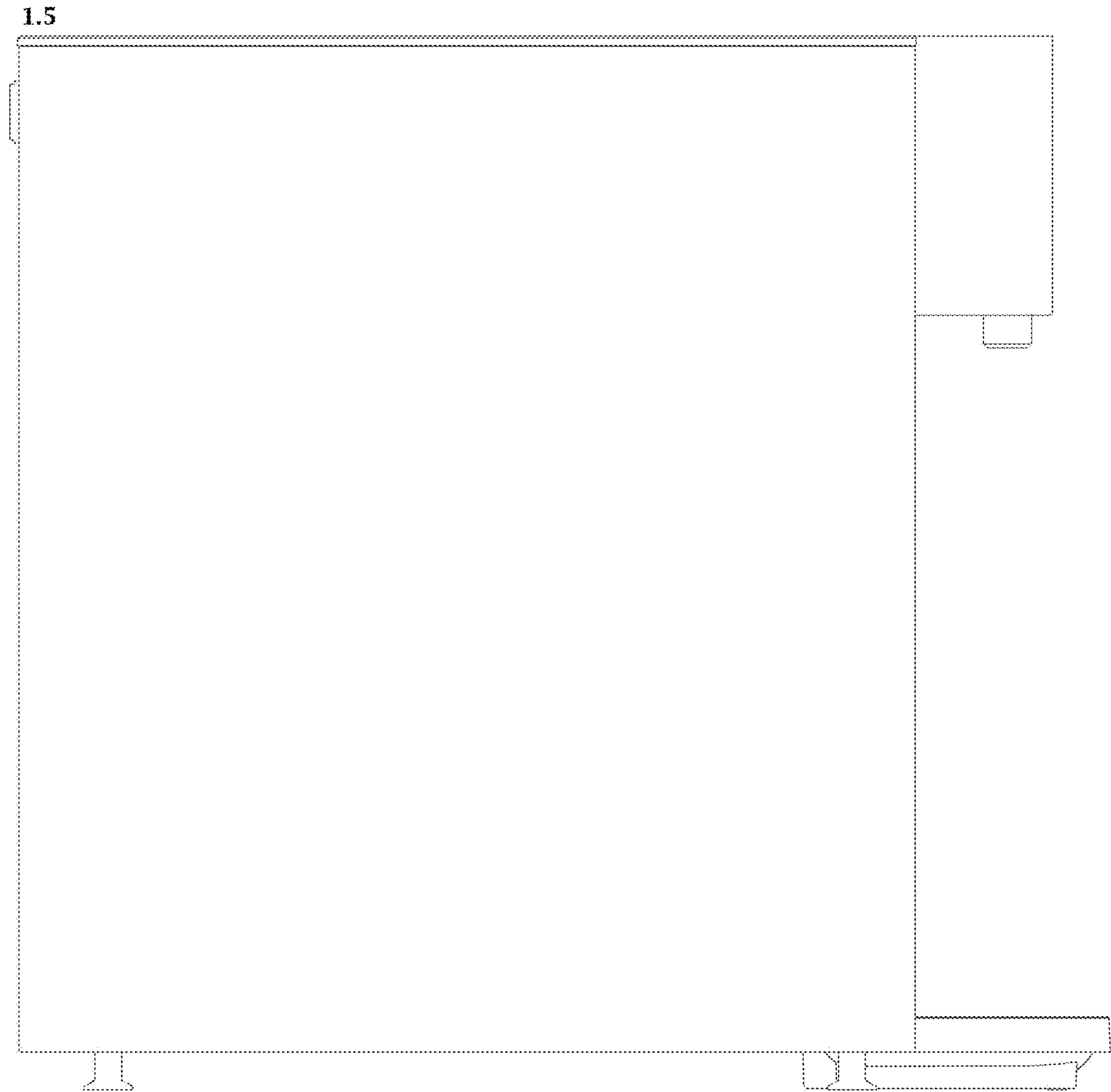
1.2



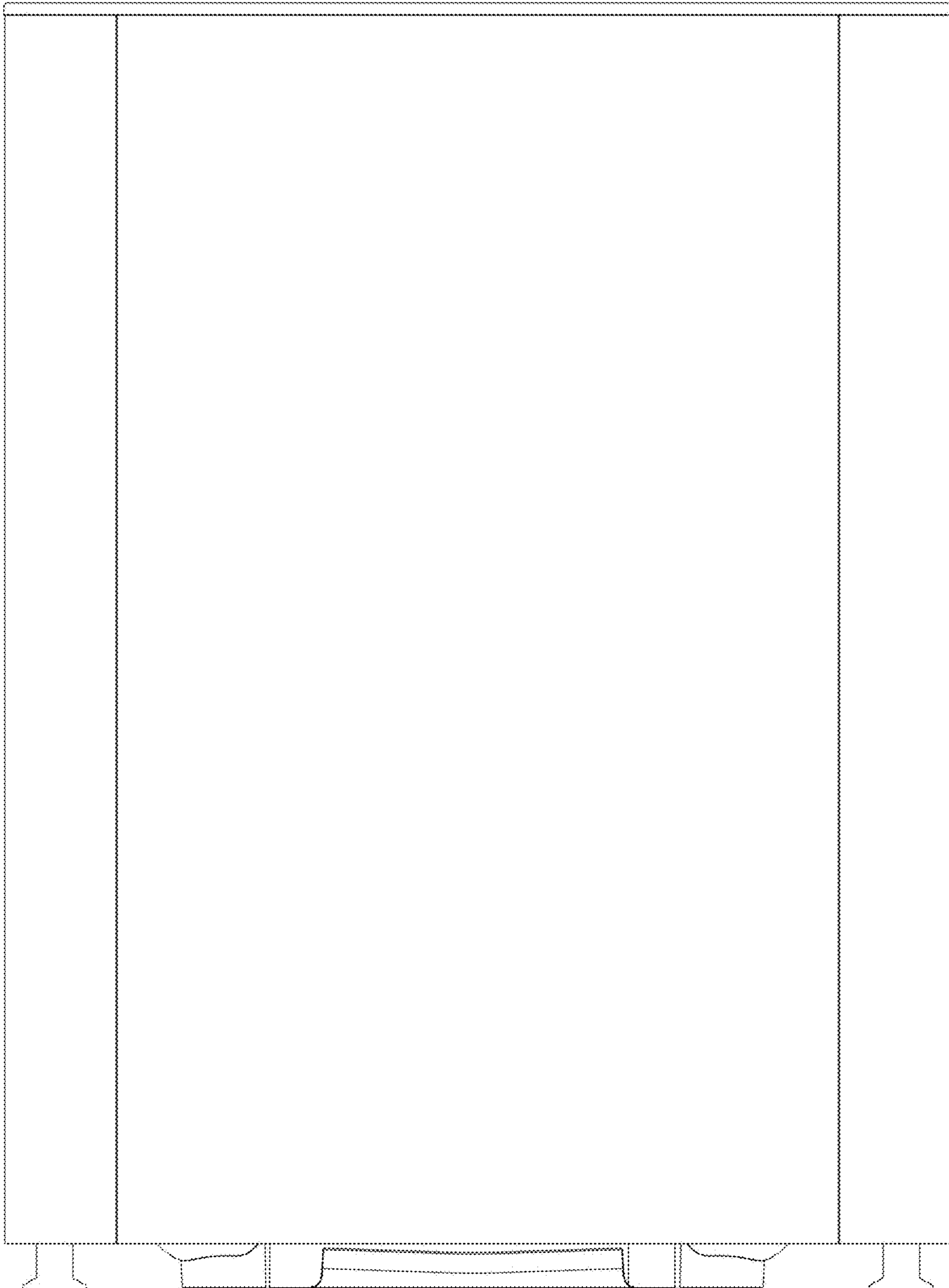
1.3



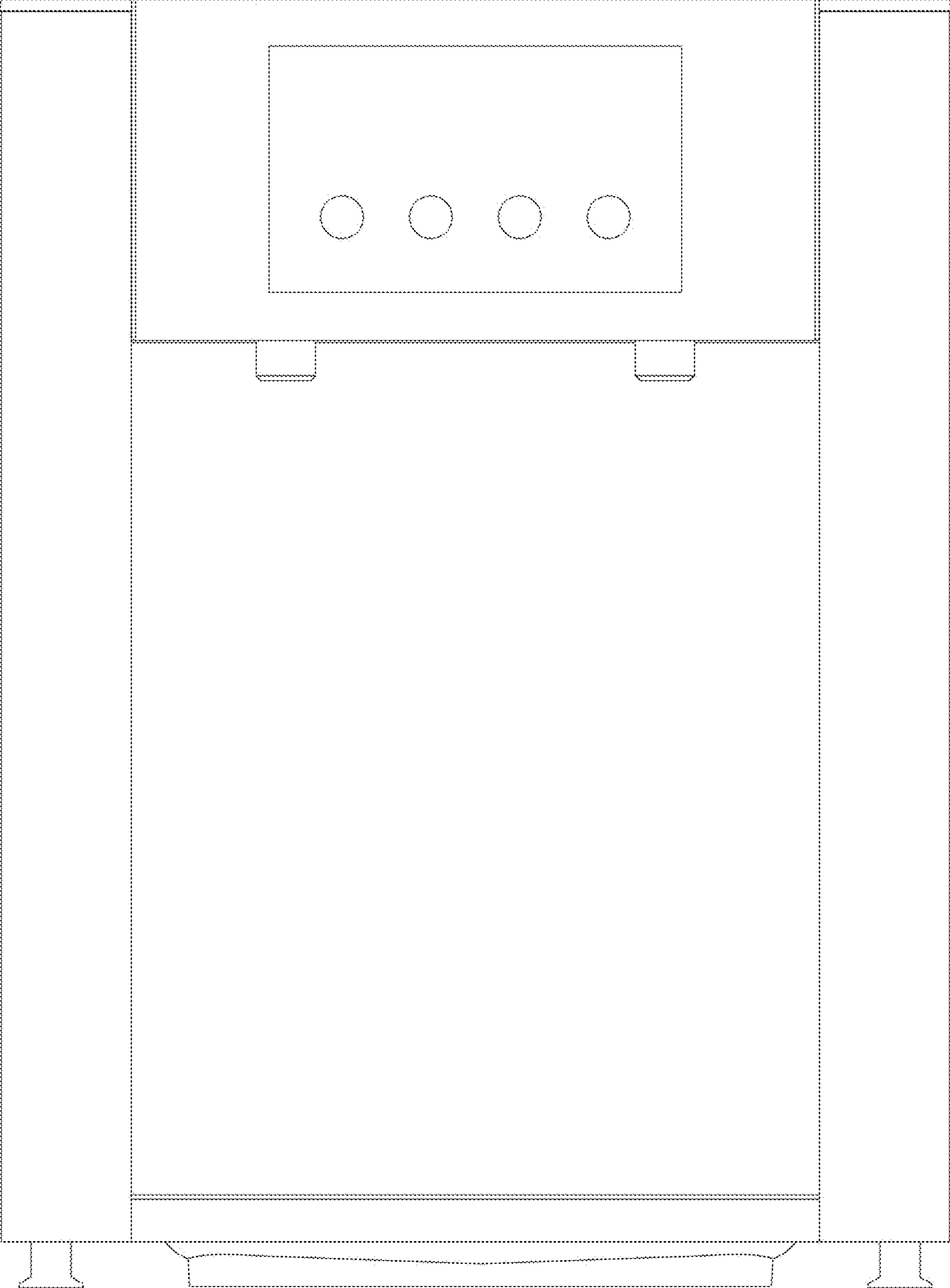




1.6



1.7



UNITED STATES PATENT AND TRADEMARK OFFICE
CERTIFICATE OF CORRECTION

PATENT NO. : D891,845 S
APPLICATION NO. : 35/507134
DATED : August 4, 2020
INVENTOR(S) : Christian Rummel et al.

Page 1 of 1

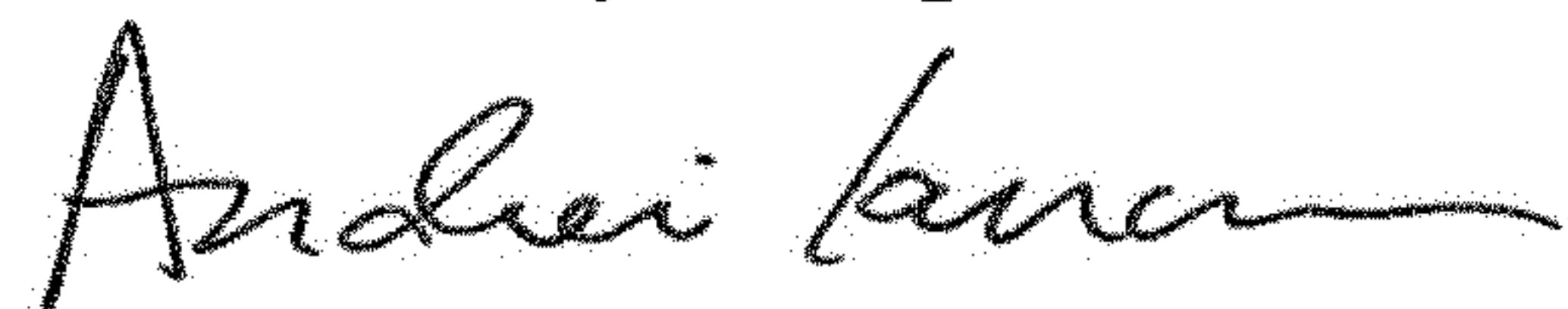
It is certified that error appears in the above-identified patent and that said Letters Patent is hereby corrected as shown below:

On the Title Page

Item (73), the Assignee "BRIA GMBH" should be deleted and replaced with:

--BRITA GMBH--

Signed and Sealed this
Fifteenth Day of September, 2020



Andrei Iancu
Director of the United States Patent and Trademark Office