



US00D891843S

(12) **United States Design Patent**
Totsuka

(10) **Patent No.:** **US D891,843 S**

(45) **Date of Patent:** **** Aug. 4, 2020**

(54) **CHAIR**

(71) Applicant: **Okamura Corporation**, Yokohama-shi,
Kanagawa (JP)

(72) Inventor: **Shinpei Totsuka**, Yokohama (JP)

(73) Assignee: **Okamura Corporation**, Yokohama-shi,
Kanagawa (JP)

(**) Term: **15 Years**

(21) Appl. No.: **29/641,907**

(22) Filed: **Mar. 26, 2018**

(30) **Foreign Application Priority Data**

Sep. 27, 2017 (JP) 2017-021139

(51) **LOC (12) Cl.** **06-01**

(52) **U.S. Cl.**
USPC **D6/716.4; D6/376**

(58) **Field of Classification Search**

USPC D6/334-336, 371, 372, 373, 374, 375,
D6/376, 379, 380, 716, 716.4

CPC A47C 3/04; A47C 4/02; A47C 4/03; A47C
5/04; A47C 5/06; A47C 5/10; A47C 5/12;
A47C 7/02; A47C 7/16

See application file for complete search history.

(56) **References Cited**

U.S. PATENT DOCUMENTS

D513,902 S *	1/2006	Piretti	D6/379
D586,577 S *	2/2009	Koh	D6/376
D600,936 S *	9/2009	Koh	D6/376
D758,088 S *	6/2016	Hurford	D6/376
D821,794 S *	7/2018	Hurford	D6/716.4

* cited by examiner

Primary Examiner — Mimoso De

(74) *Attorney, Agent, or Firm* — Banner & Witcoff, Ltd.

(57) **CLAIM**

The ornamental design for a chair, as shown and described.

DESCRIPTION

FIG. 1 is a front perspective view of a chair showing my new design;

FIG. 2 is a rear perspective view thereof;

FIG. 3 is a front view thereof;

FIG. 4 is a rear view thereof;

FIG. 5 is a right side view thereof, the left side view being a mirror image thereof;

FIG. 6 is a top view thereof; and,

FIG. 7 is a bottom view thereof.

The broken lines shown in the drawings illustrate portions of the chair that form no part of the claimed design.

1 Claim, 7 Drawing Sheets

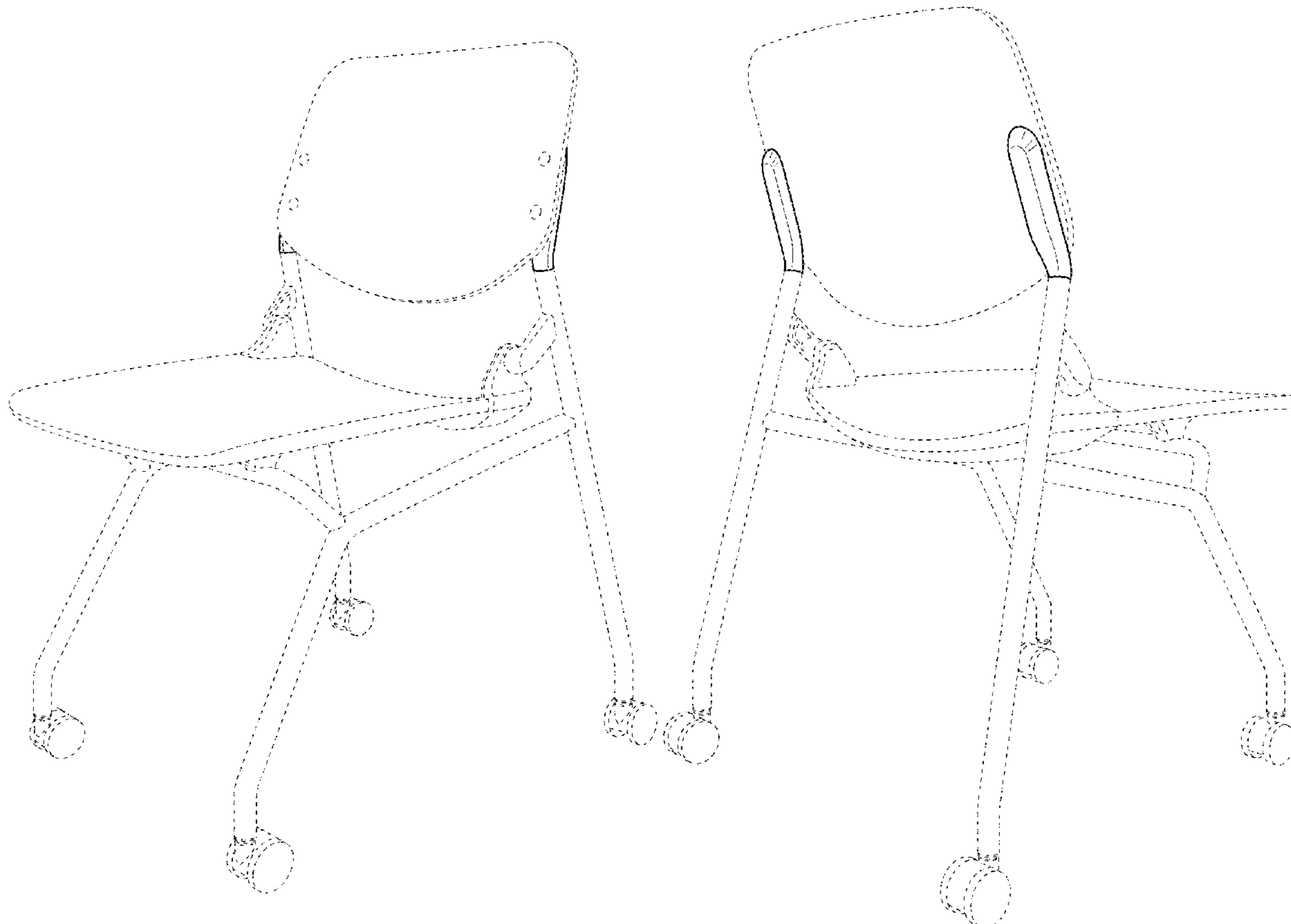


Fig. 1

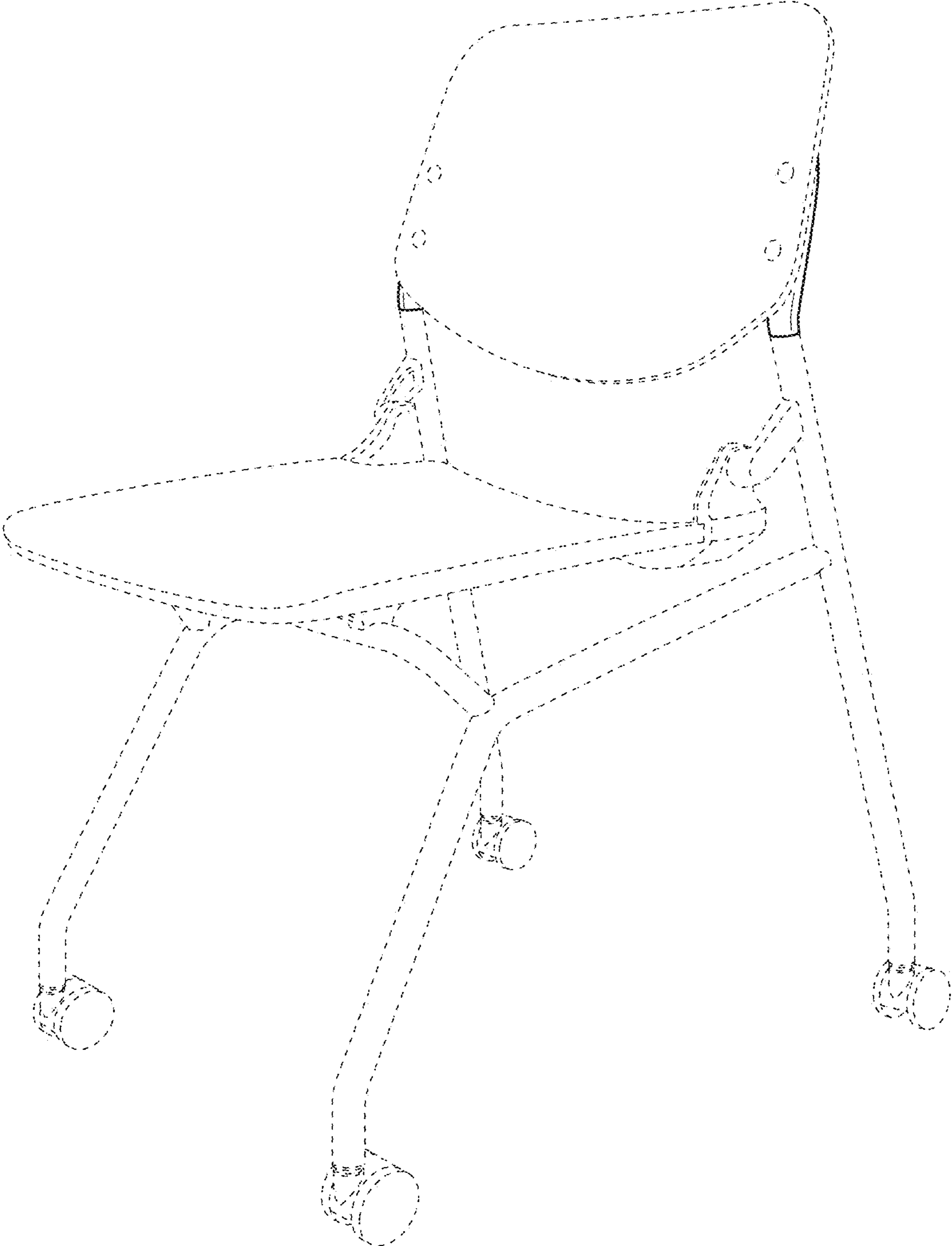


Fig. 2

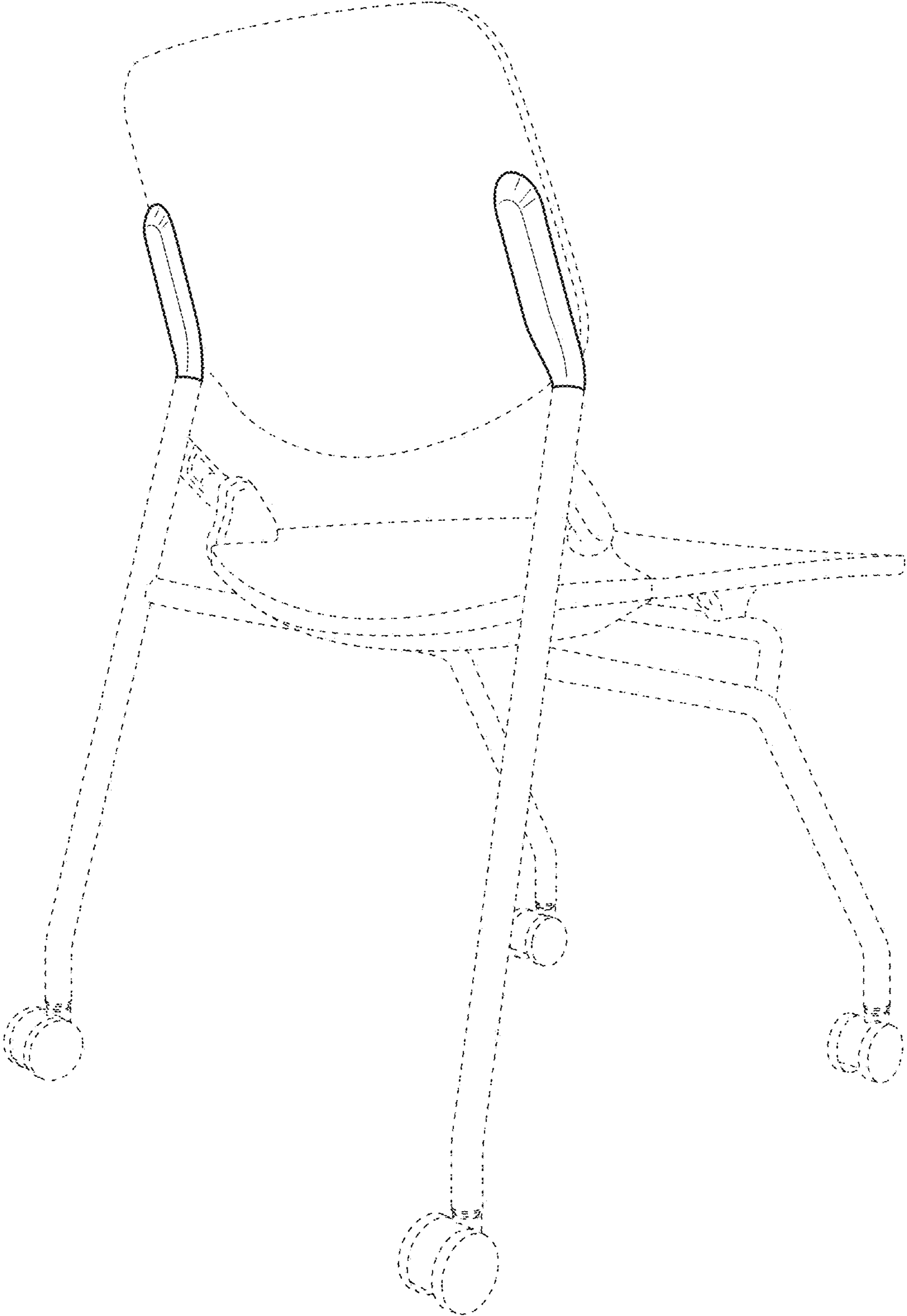


Fig. 3

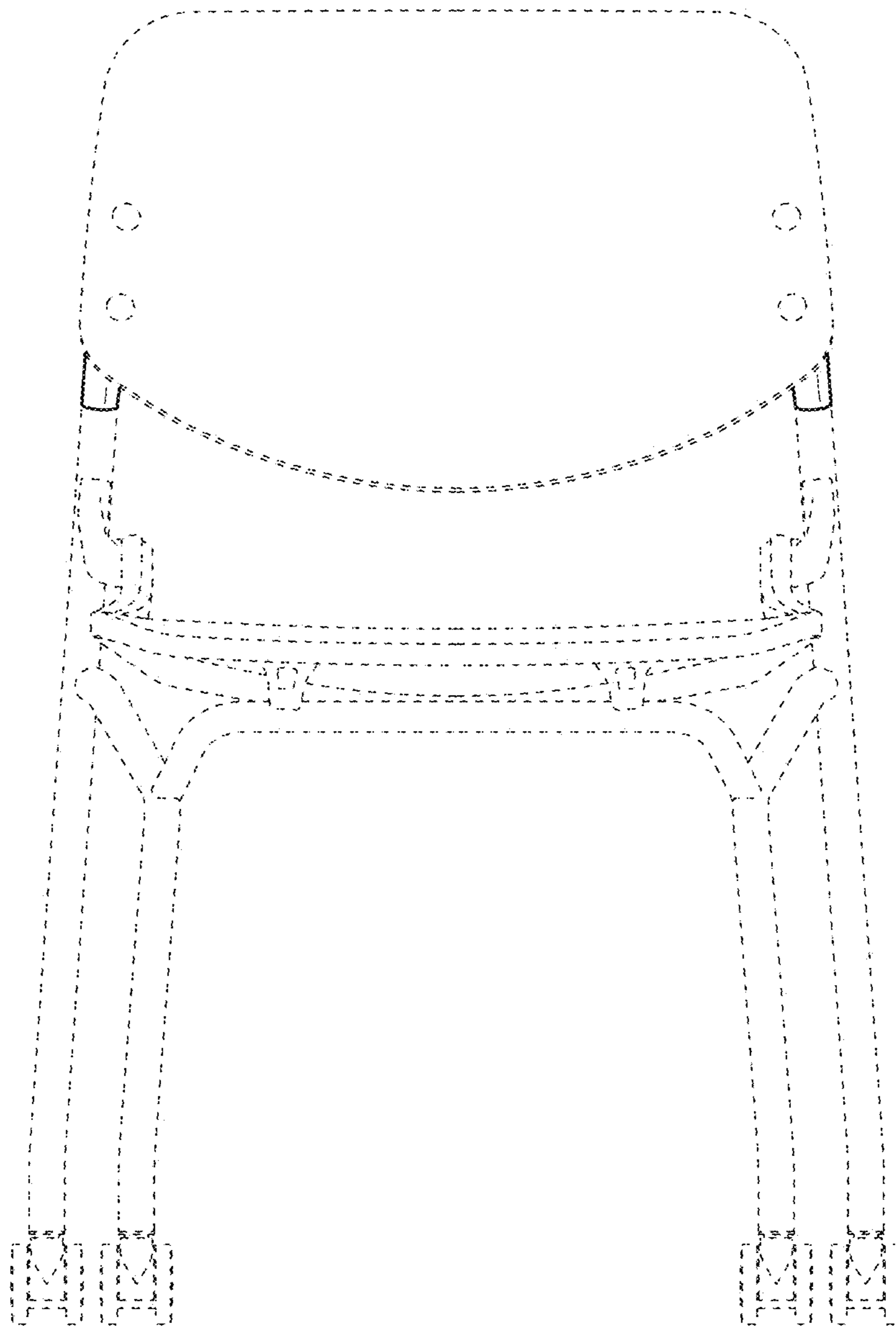


Fig. 4

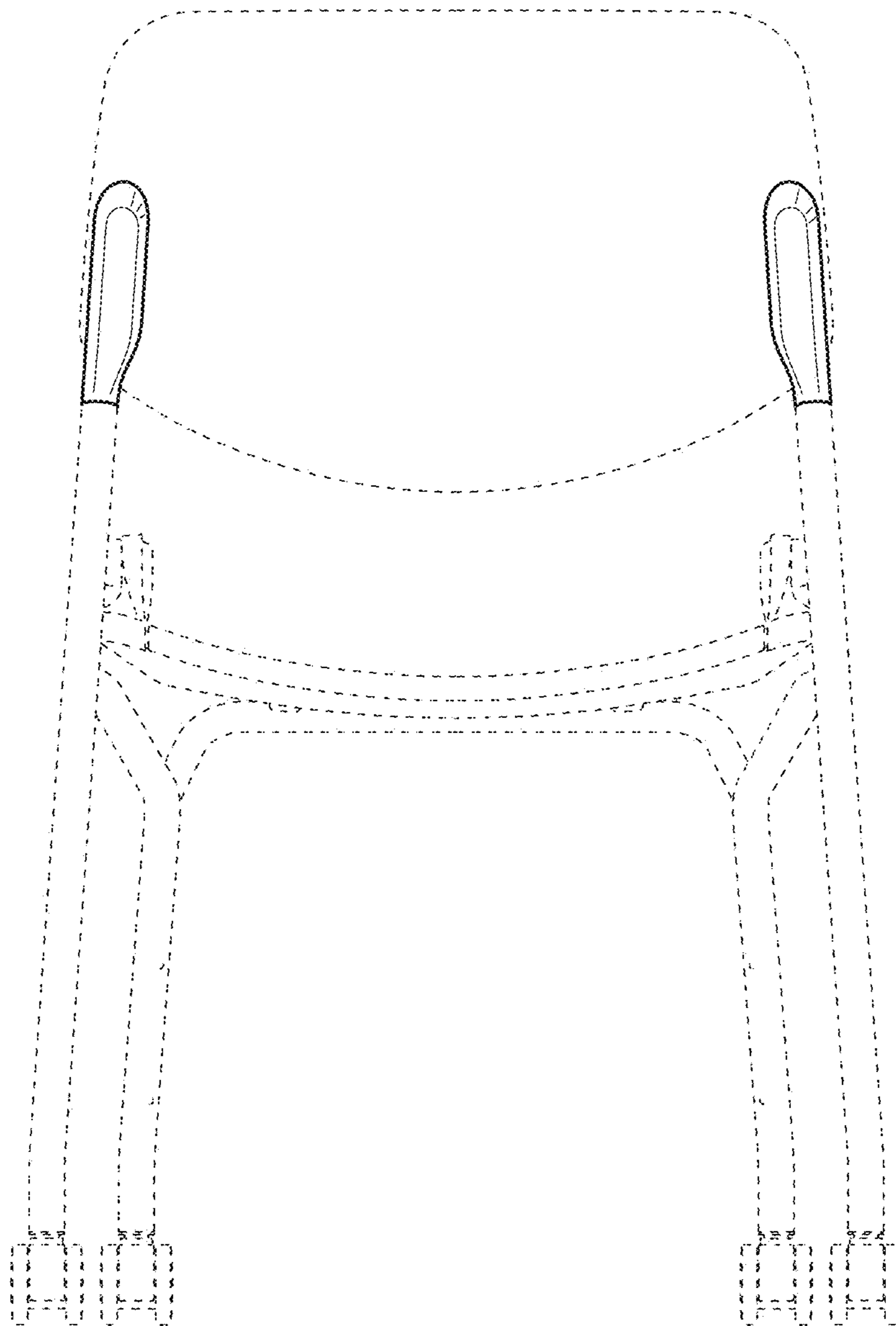


Fig. 5

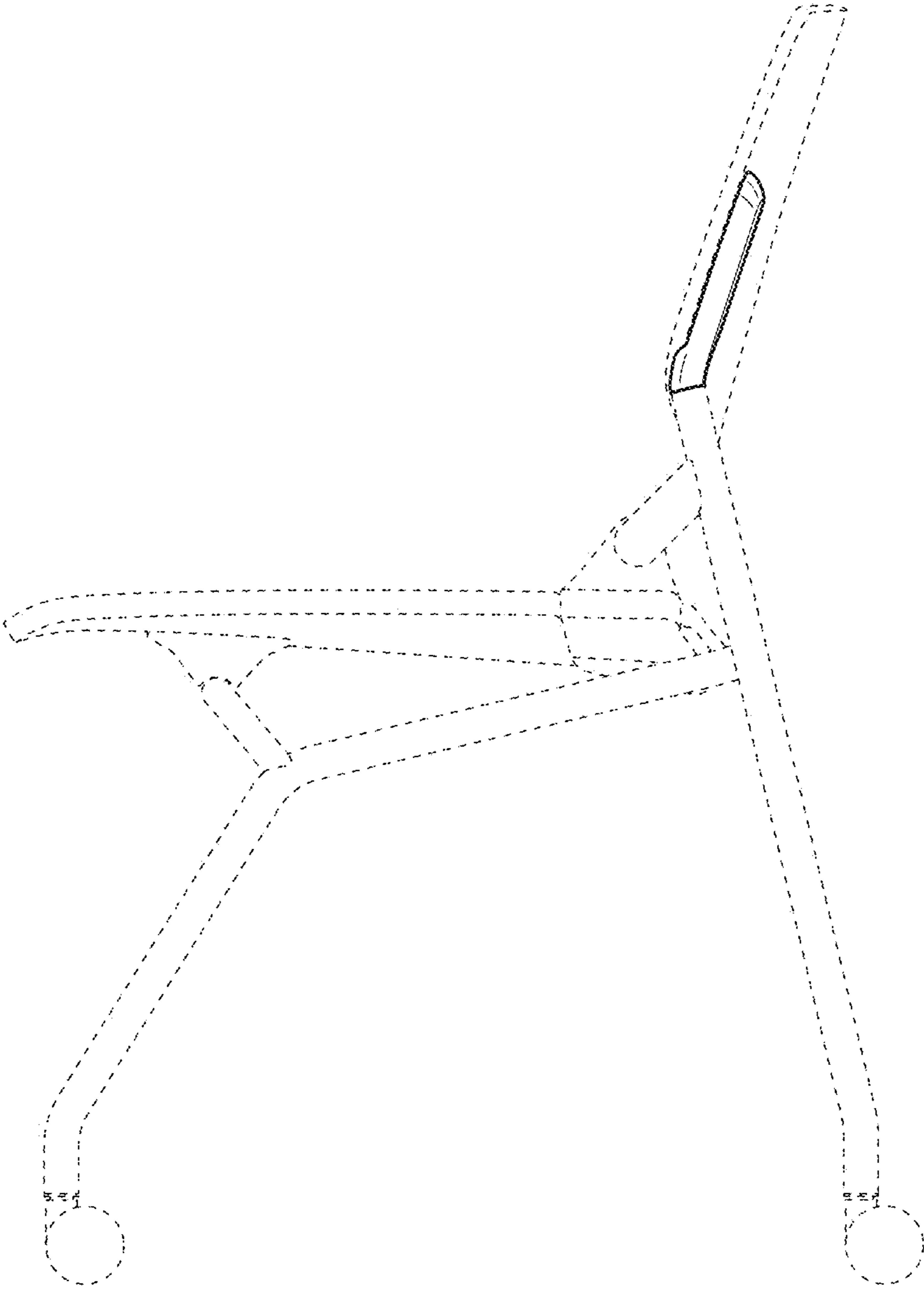


Fig. 6

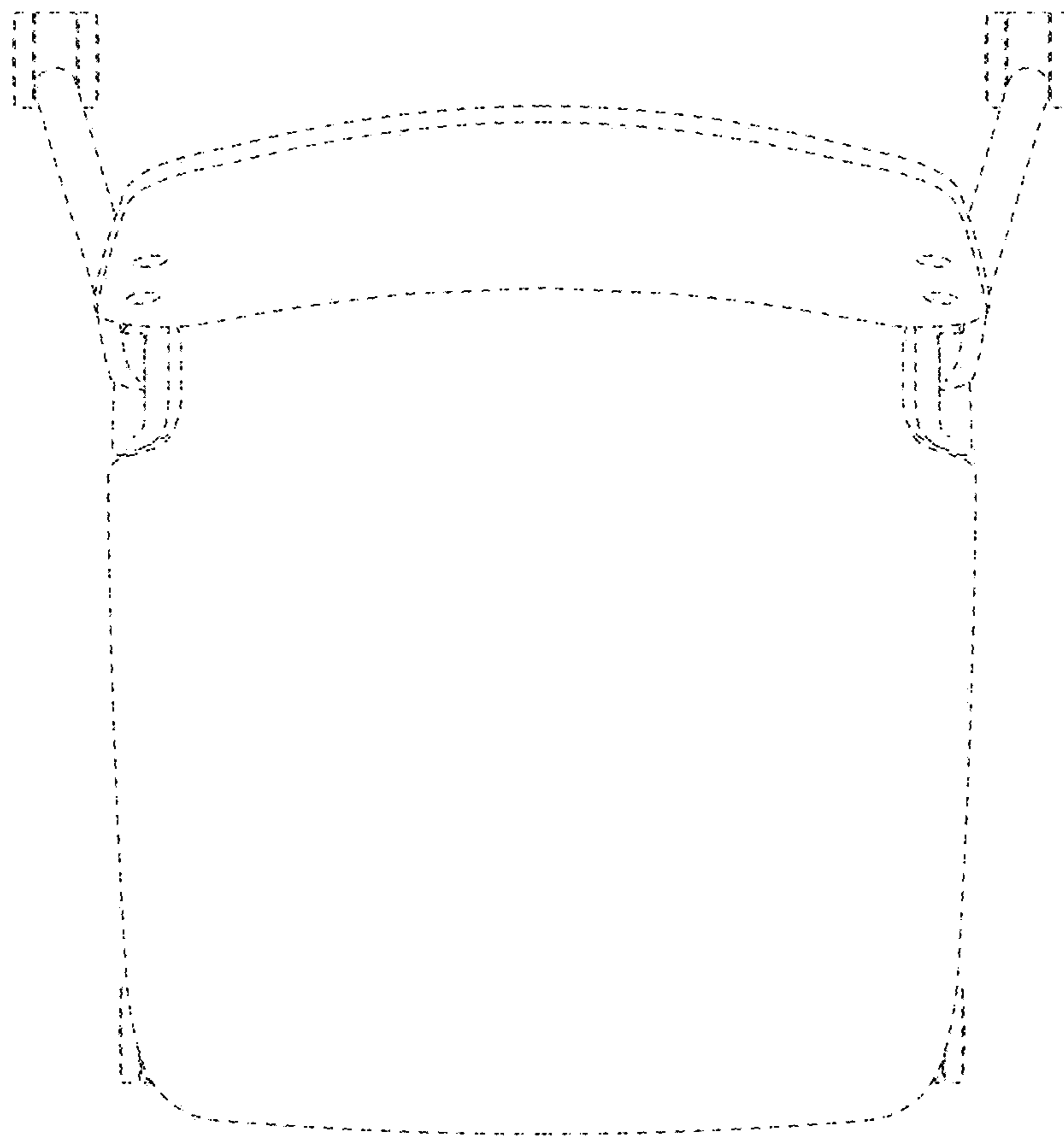


Fig. 7

