



US00D891840S

(12) **United States Design Patent**  
**Irgang et al.**

(10) **Patent No.:** **US D891,840 S**

(45) **Date of Patent:** **\*\* Aug. 4, 2020**

(54) **DRAWER PART**

(71) Applicant: **Julius Blum GmbH**, Hoechst (AT)

(72) Inventors: **Markus Irgang**, Altach (AT); **Guenter Schwarzmann**, Dornbirn (AT); **Emanuel Netzer**, Hoechst (AT); **Elvis Music**, Lindau (DE)

(73) Assignee: **Julius Blum GmbH**, Hoechst (AT)

(\*\*) Term: **15 Years**

(21) Appl. No.: **29/654,190**

(22) Filed: **Jun. 21, 2018**

(30) **Foreign Application Priority Data**

Dec. 22, 2017 (EM) ..... 4562304-0013

(51) **LOC (12) Cl.** ..... **06-06**

(52) **U.S. Cl.**  
USPC ..... **D6/705**

(58) **Field of Classification Search**

USPC ..... D6/703, 703.2, 703.3, 705, 705.2, 705.4,  
D6/705.5, 705.7, 707.19, 707.25, 706  
CPC ..... A47B 88/00; A47B 88/40; A47B 88/402;  
A47B 88/407; A47B 88/413; A47B  
88/417; A47B 88/433; A47B 88/90; A47B  
88/906; A47B 88/944

See application file for complete search history.

(56) **References Cited**

**U.S. PATENT DOCUMENTS**

D258,792 S \* 4/1981 Litchfield ..... D6/705  
4,671,581 A \* 6/1987 Faust ..... A47B 88/00  
312/330.1  
4,984,929 A \* 1/1991 Rock ..... A47B 88/00  
403/230

5,207,526 A \* 5/1993 Brustle ..... A47B 88/00  
403/199  
5,525,002 A \* 6/1996 Huber ..... A47B 88/00  
403/261  
5,690,405 A \* 11/1997 Huber ..... A47B 88/00  
312/348.2  
D686,429 S \* 7/2013 Kampl ..... D6/705

**FOREIGN PATENT DOCUMENTS**

DE 19546098 A1 \* 6/1997 ..... A47B 88/427  
EP 702916 A2 \* 3/1996  
WO WO-2010036215 A2 \* 4/2010 ..... A47B 88/941  
WO WO-2013120894 A1 \* 8/2013 ..... A47B 88/95  
WO WO-2018146001 A1 \* 8/2018 ..... A47B 88/925

\* cited by examiner

*Primary Examiner* — R. Johnson

(74) *Attorney, Agent, or Firm* — Wenderoth, Lind & Ponack, L.L.P.

(57) **CLAIM**

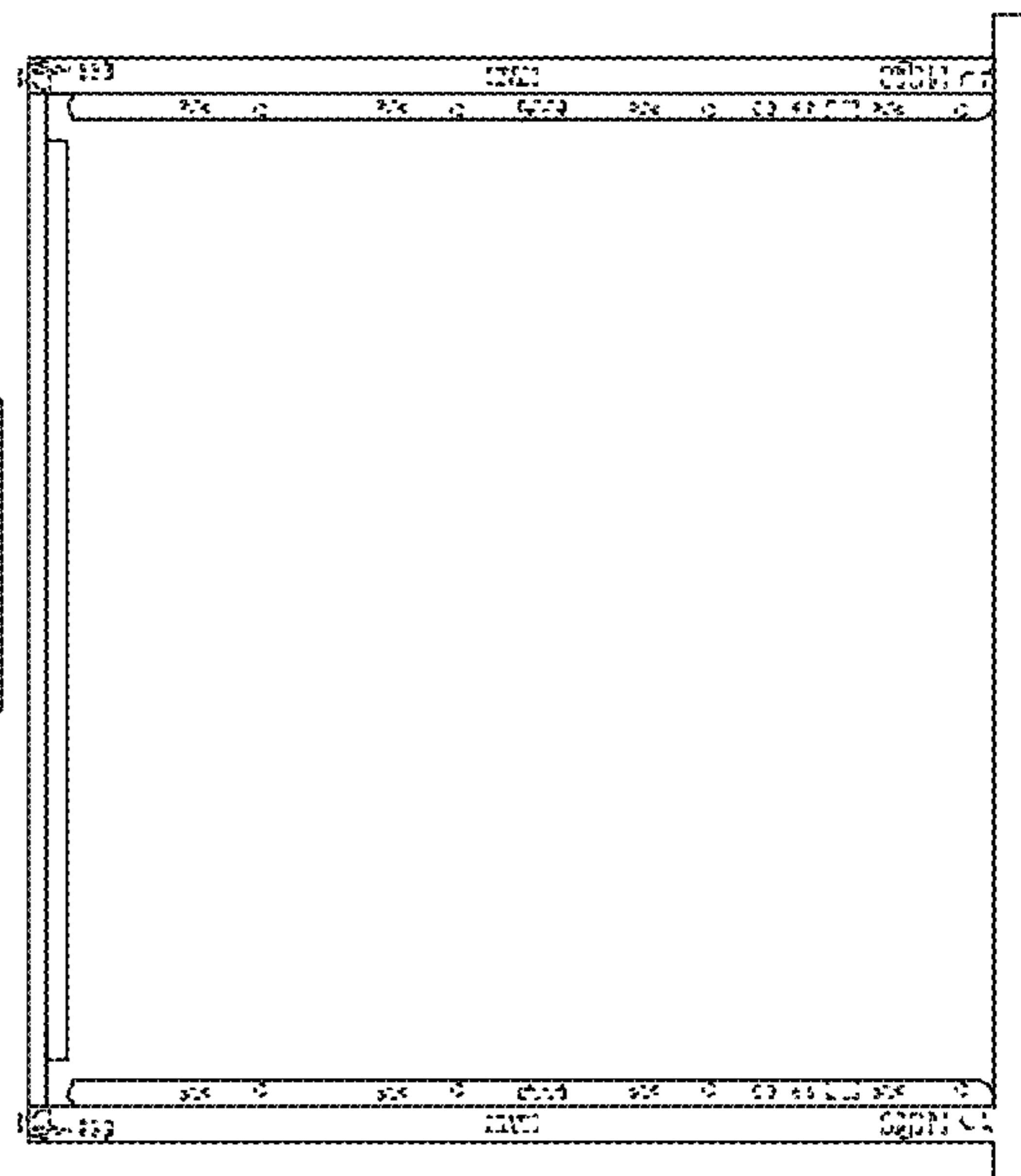
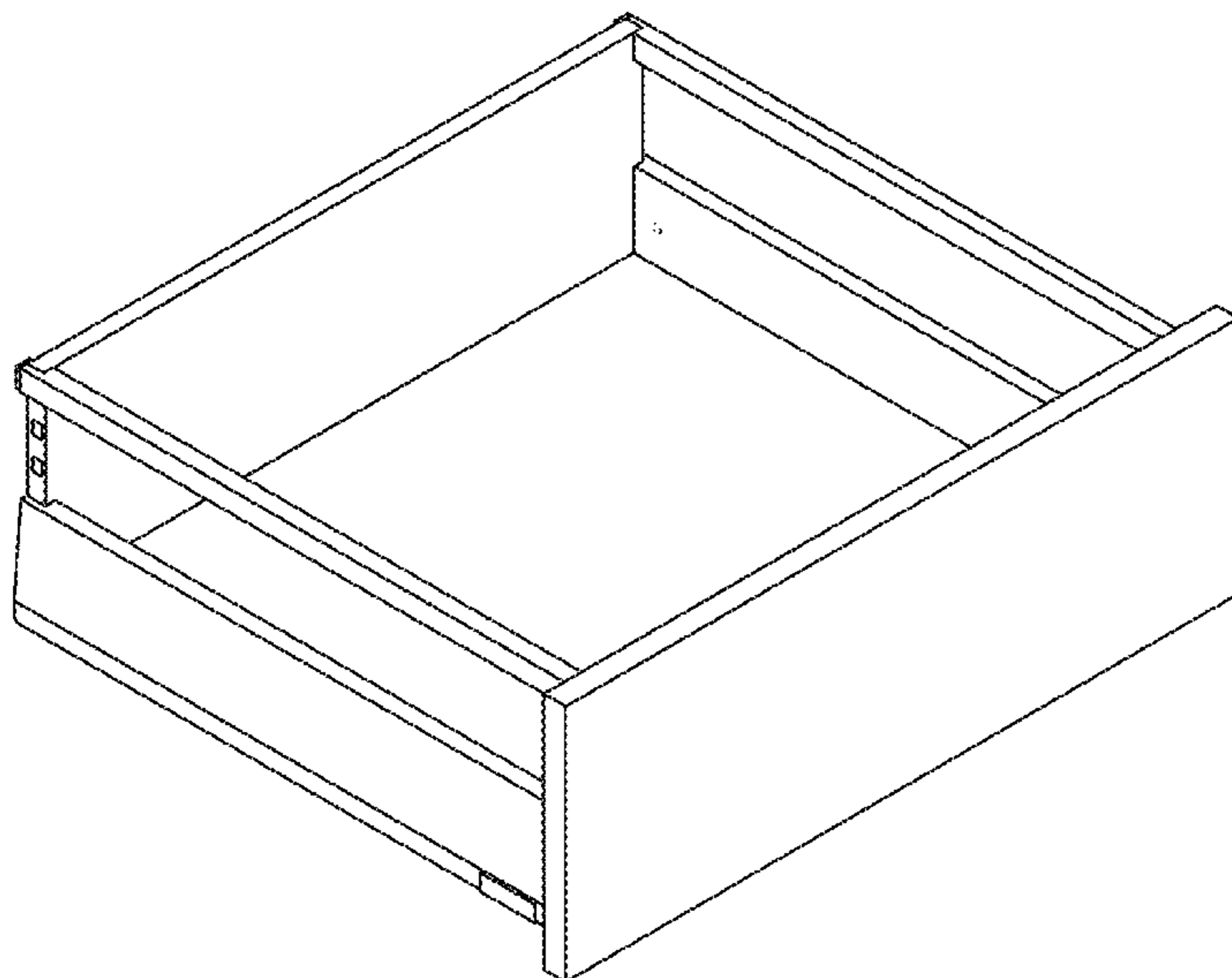
The ornamental design for a drawer part, as shown and described.

**DESCRIPTION**

FIG. 1 is a top left side perspective view of a drawer part; FIG. 2 is a top right side perspective view thereof; FIG. 3 is a top view thereof; FIG. 4 is a right side view thereof; FIG. 5 is a left side view thereof; FIG. 6 is a front view thereof; FIG. 7 is a rear view thereof; and, FIG. 8 is a bottom view thereof.

It is noted that the portions of the drawings indicated with broken lines illustrate environmental structure and form no part of the claimed design.

**1 Claim, 8 Drawing Sheets**



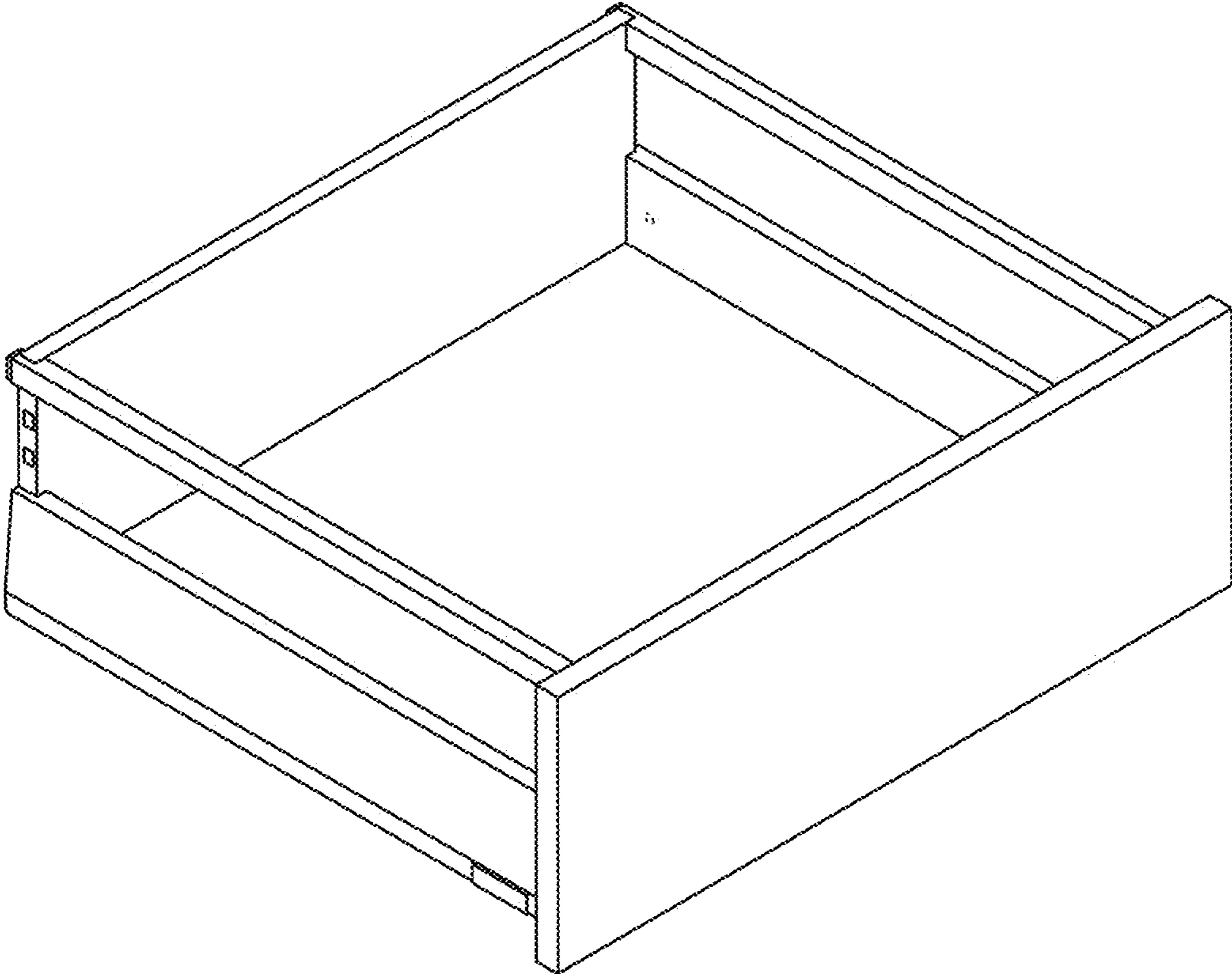


Fig. 1

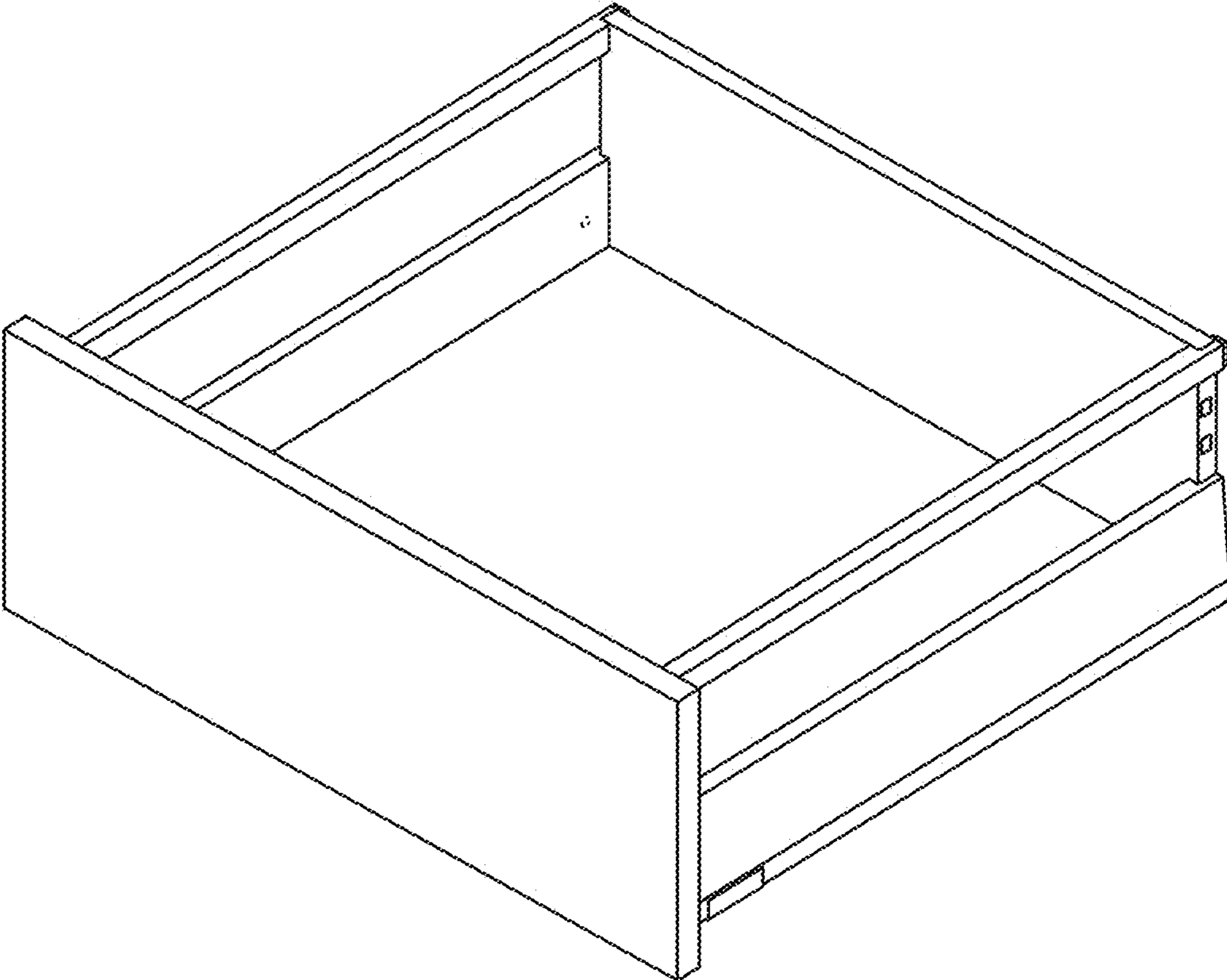


Fig. 2

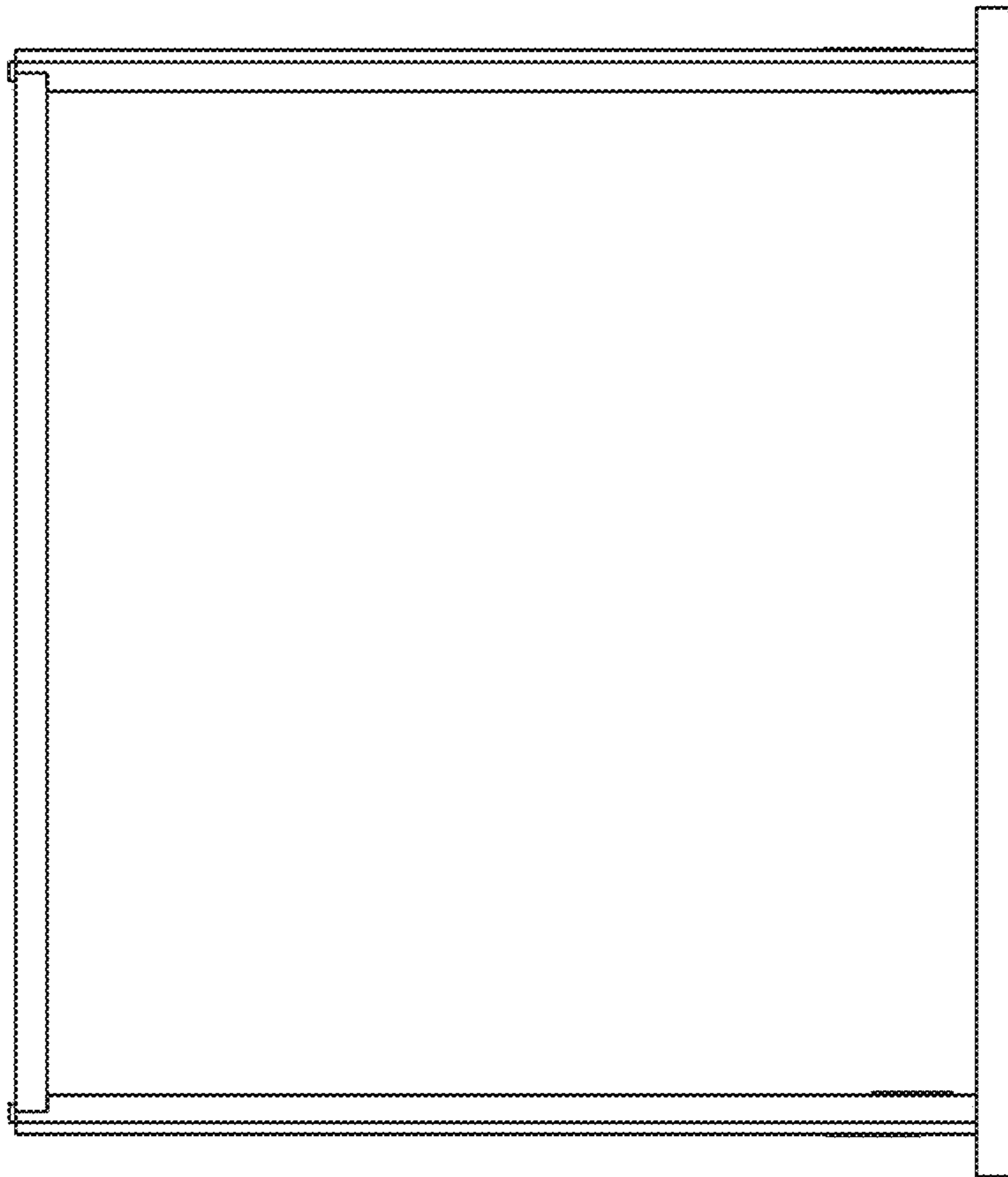


Fig. 3

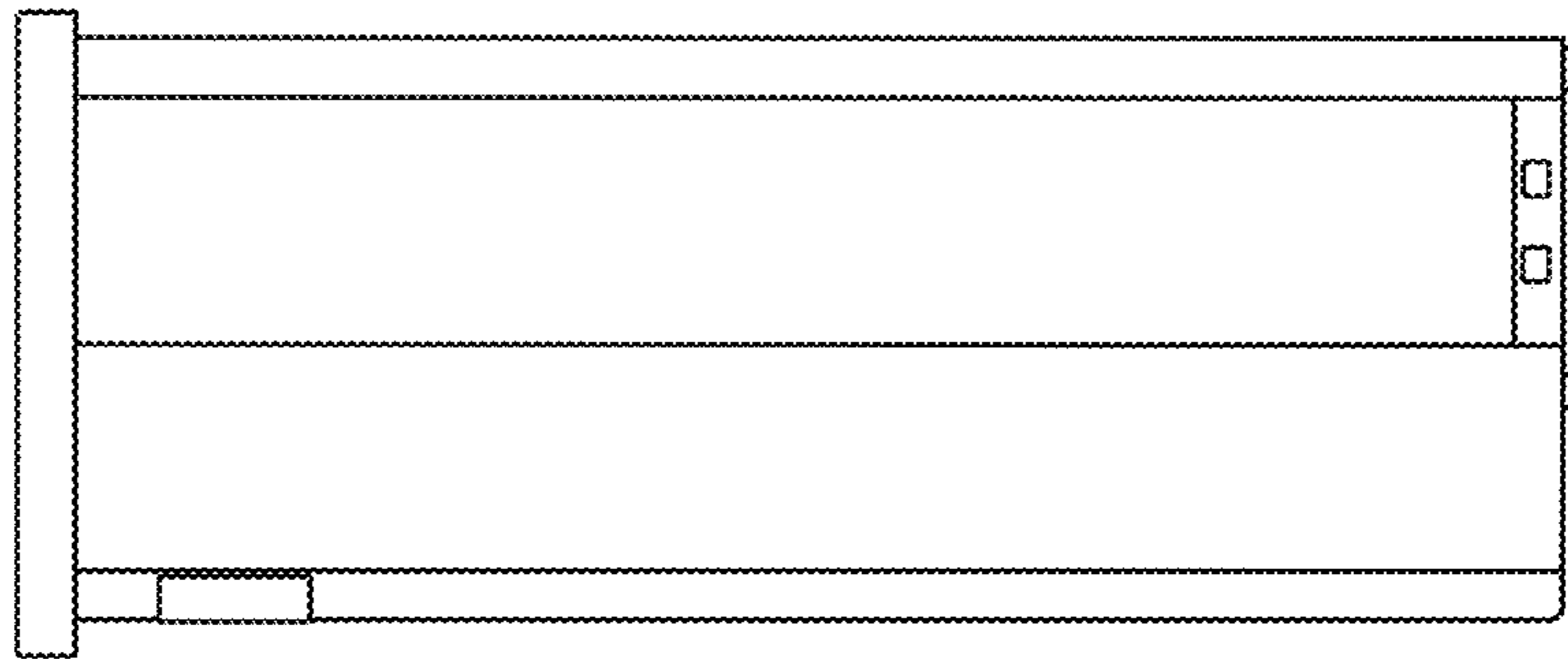


Fig. 4

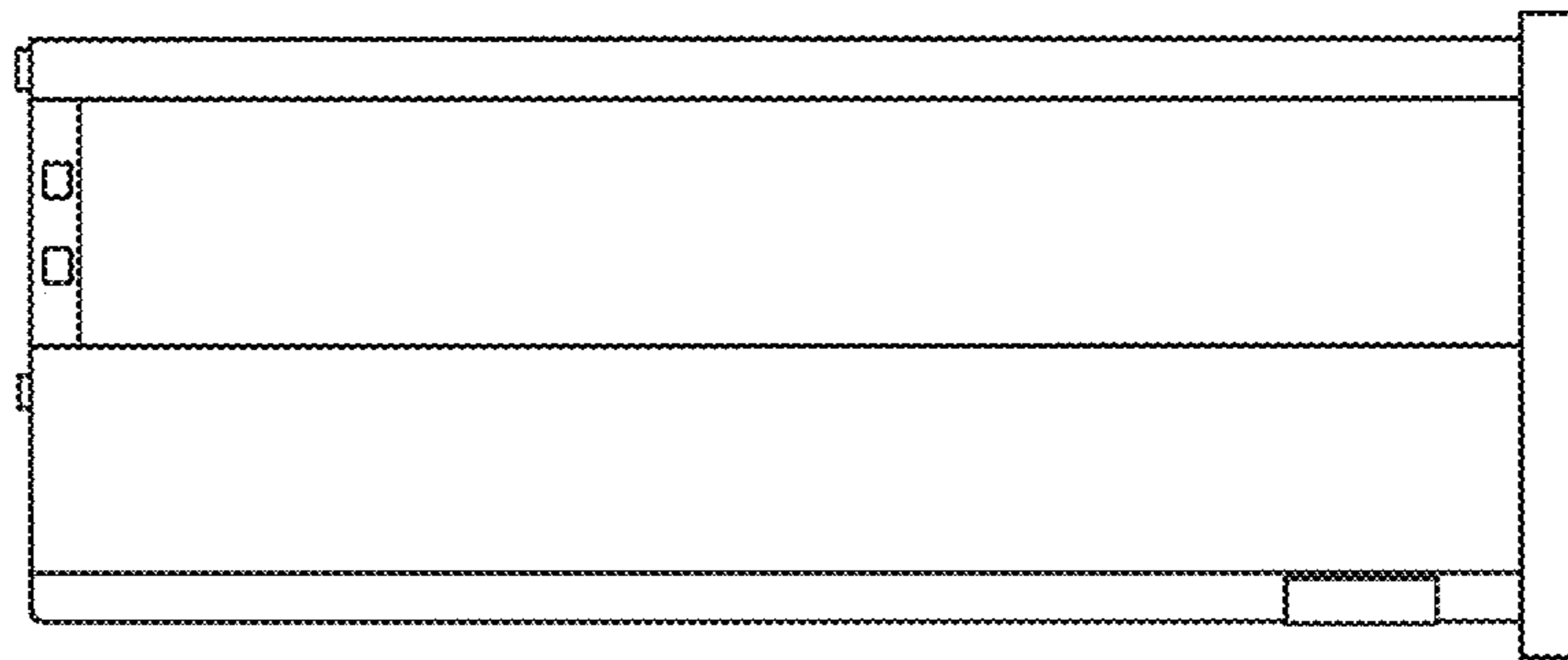


Fig. 5



Fig. 6

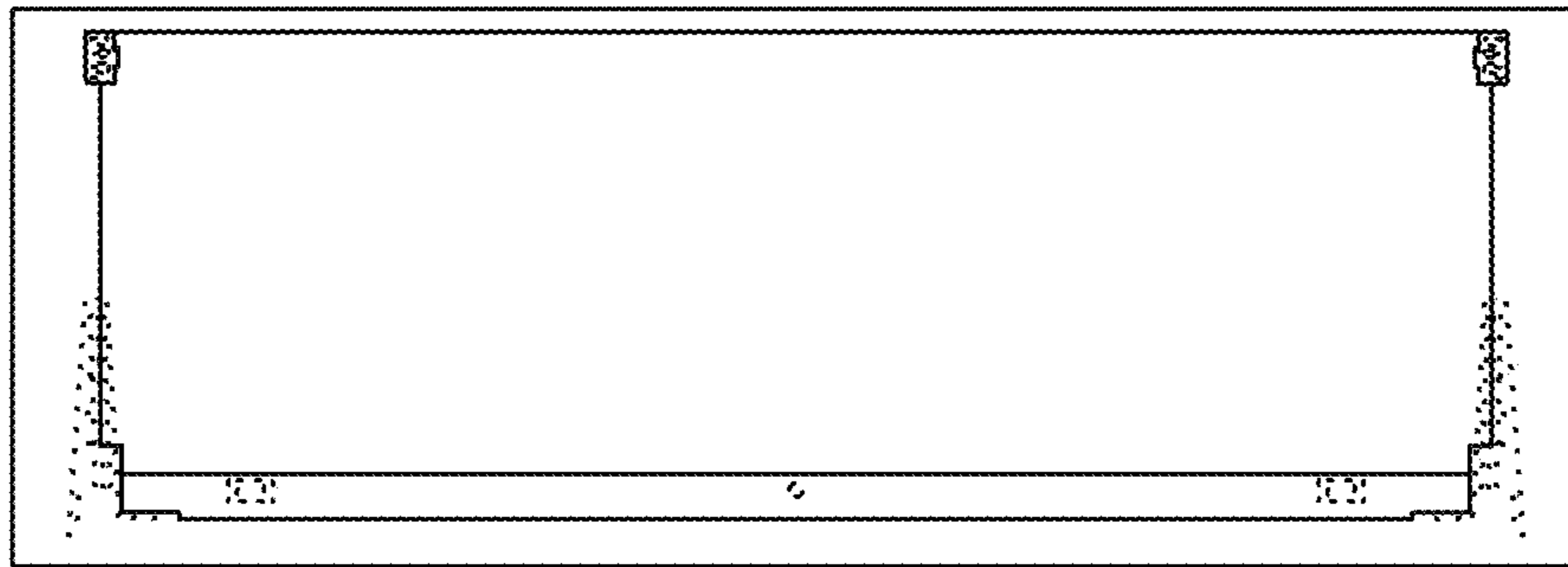


Fig. 7



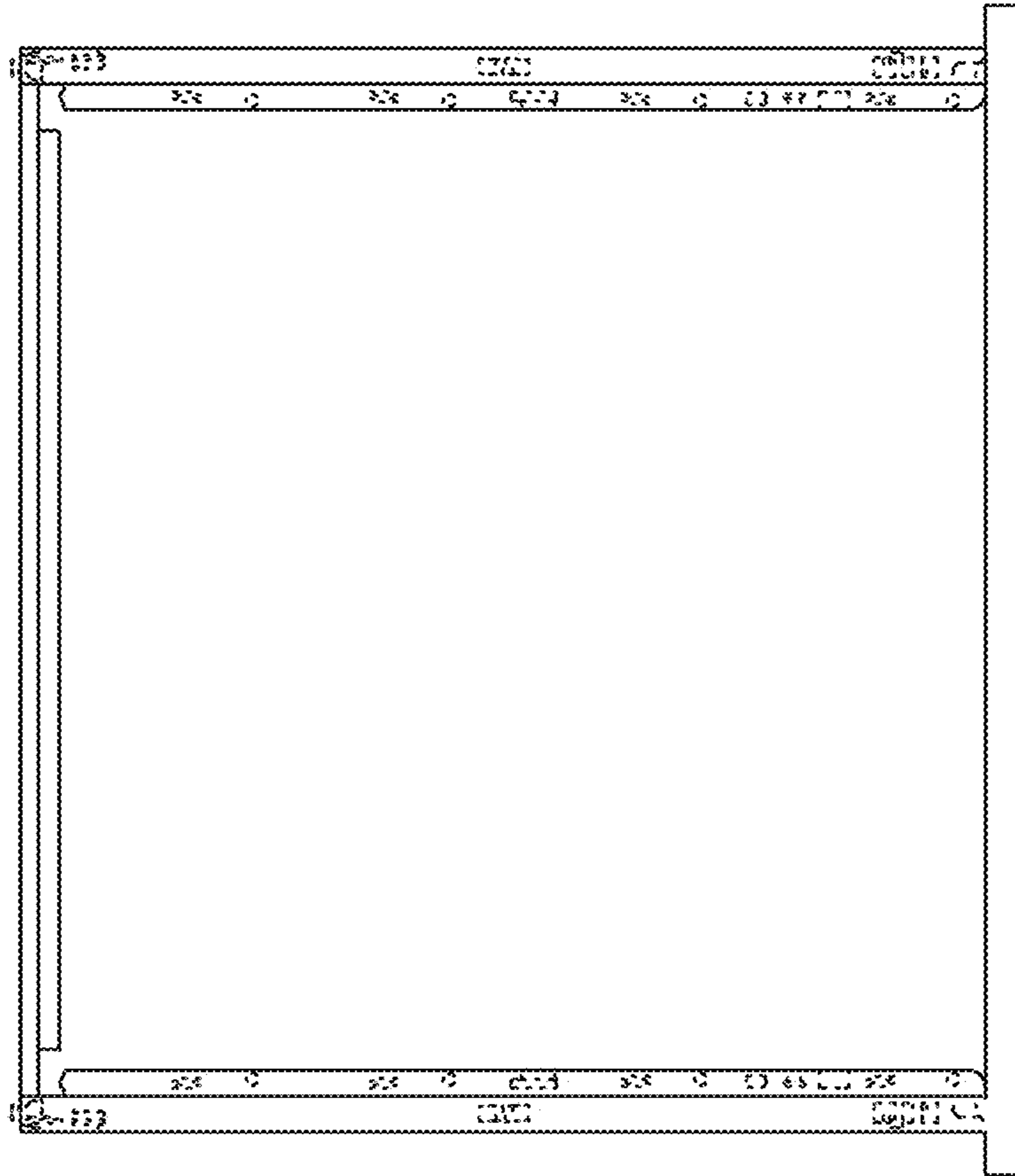


Fig. 8