

US00D891838S

(12) **United States Design Patent** (10) **Patent No.:** **US D891,838 S**
Risdall et al. (45) **Date of Patent:** **** Aug. 4, 2020**

(54) **TABLE**
(71) Applicant: **Smith System Manufacturing Company, Plano, TX (US)**
(72) Inventors: **Michael Risdall, Plano, TX (US); Steven Pryor, St. Augustine, FL (US); Jack Johnson, McKinney, TX (US)**
(73) Assignee: **Smith System Manufacturing Company, Plano, TX (US)**
(**) Term: **15 Years**
(21) Appl. No.: **29/666,803**
(22) Filed: **Oct. 16, 2018**
(51) **LOC (12) Cl.** **06-03**
(52) **U.S. Cl.**
USPC **D6/691.9; D6/655**
(58) **Field of Classification Search**
USPC D6/641, 642, 655, 685, 686, 691, 691.1, D6/691.9
CPC A47B 7/00; A47B 13/00; A47B 13/02; A47B 13/06; A47B 13/08; A47B 13/081; A47B 17/00; A47B 21/00; A47B 21/02; A47B 21/03; A47B 2200/0001; A47B 2200/0011; A47B 2200/002
See application file for complete search history.

D374,996 S 10/1996 Noniewicz
D384,514 S 10/1997 Pestone
D392,814 S 3/1998 Sheftel
D401,788 S 12/1998 Hellwig et al.
D403,898 S 1/1999 Arnegger
D407,245 S 3/1999 Lewis
5,918,553 A 7/1999 Hellwig et al.
D423,258 S 4/2000 Pinch
D423,832 S 5/2000 Kane et al.
6,059,071 A 5/2000 Appezzato
D428,740 S 8/2000 Maly
D432,810 S 10/2000 Eckhoff et al.
D436,763 S 1/2001 Balolia
D469,271 S 1/2003 Avrahami
D477,931 S 8/2003 Chang
D490,252 S 5/2004 Newhouse
D491,962 S 6/2004 Laga
(Continued)

FOREIGN PATENT DOCUMENTS

CN 104717903 B 9/2017
Primary Examiner — Mary Ann Calabrese
(74) *Attorney, Agent, or Firm* — Price Heneveld LLP

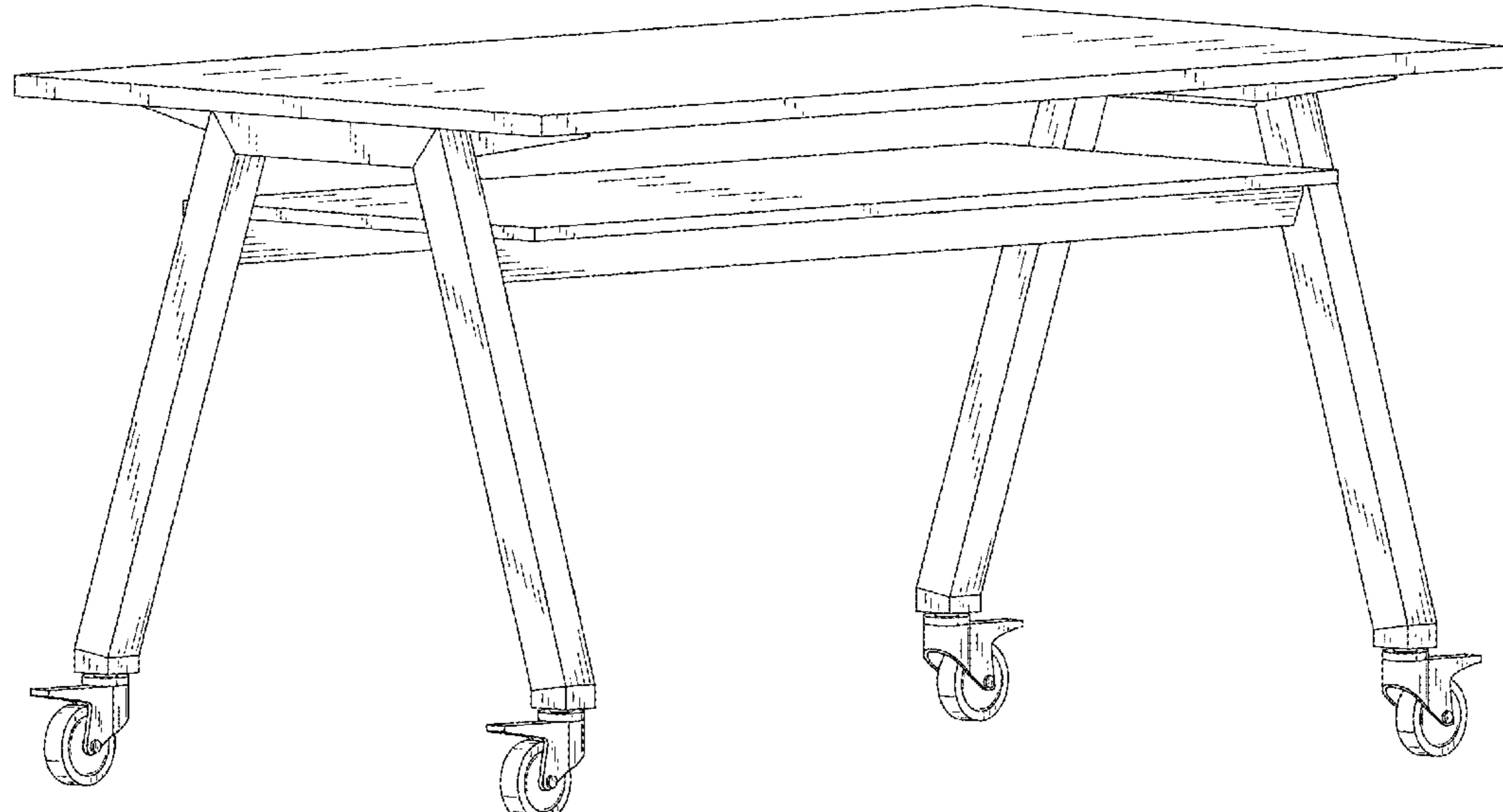
(57) **CLAIM**
We claim the ornamental design for a table, as shown and described.

DESCRIPTION

FIG. 1 is a front perspective view of a table;
FIG. 2 is a bottom perspective view thereof;
FIG. 3 is a front elevation view thereof, the rear elevation view being identical;
FIG. 4 is a right side elevation view thereof, the left side elevation view being identical;
FIG. 5 is a top plan view thereof;
FIG. 6 is a bottom plan view thereof; and,
FIG. 7 is a cross-sectional view along VII-VII of FIG. 3.
The broken lines in FIGS. 1-7 illustrate environmental features that form no part of the claimed design.

1 Claim, 7 Drawing Sheets

(56) **References Cited**
U.S. PATENT DOCUMENTS
D103,250 S * 2/1937 Parrish D6/655
D157,377 S * 2/1950 Karp D6/686
3,463,099 A 8/1969 Douchette
D215,858 S 11/1969 Hamilton
D244,889 S * 7/1977 Neuschwander D6/686
D261,712 S 11/1981 Ferdinand et al.
D332,364 S 1/1993 Bennett
D345,476 S 3/1994 Burdick
D367,193 S 2/1996 Dame et al.



(56)

References Cited

U.S. PATENT DOCUMENTS

6,845,723 B2 1/2005 Kottman et al.
 D506,888 S 7/2005 Althofer
 D585,218 S 1/2009 Hamilton et al.
 D604,958 S 12/2009 Symons
 D641,186 S 7/2011 Martin et al.
 D649,810 S 12/2011 Martin et al.
 D651,430 S 1/2012 Martin et al.
 D671,339 S 11/2012 Nakamura
 D674,217 S 1/2013 al-Rawi
 D675,041 S 1/2013 Mecherle et al.
 8,371,237 B2 2/2013 Weber
 D689,305 S 9/2013 Mari
 D695,557 S 12/2013 Carretta
 D700,465 S 3/2014 Johnson et al.
 D722,802 S 2/2015 Mueller et al.
 D723,850 S 3/2015 Mueller et al.
 D729,556 S 5/2015 Sampietro
 D732,852 S 6/2015 Park et al.
 9,265,340 B2 2/2016 Krusin et al.

D757,464 S * 5/2016 Chiang D6/642
 D775,875 S 1/2017 Gaschy et al.
 D775,876 S 1/2017 Gaschy et al.
 D781,085 S 3/2017 Liu
 D784,740 S 4/2017 Chipperfield
 D784,744 S 4/2017 Burdern
 9,629,451 B2 4/2017 Harper
 D785,375 S 5/2017 Flaherty et al.
 D794,985 S 8/2017 Tsuchiyama
 D797,478 S 9/2017 Merritt
 D799,248 S 10/2017 Miller et al.
 D801,092 S 10/2017 Merritt
 D802,345 S 11/2017 Hurford
 D808,204 S 1/2018 Davis et al.
 D814,829 S 4/2018 Davis et al.
 9,950,728 B2 4/2018 Weiser et al.
 D817,673 S 5/2018 Hiyoshi
 D818,751 S 5/2018 Merritt
 D822,109 S 7/2018 Avallon et al.
 2017/0258225 A1 9/2017 Reeves et al.
 2017/0311713 A1 11/2017 Battey

* cited by examiner

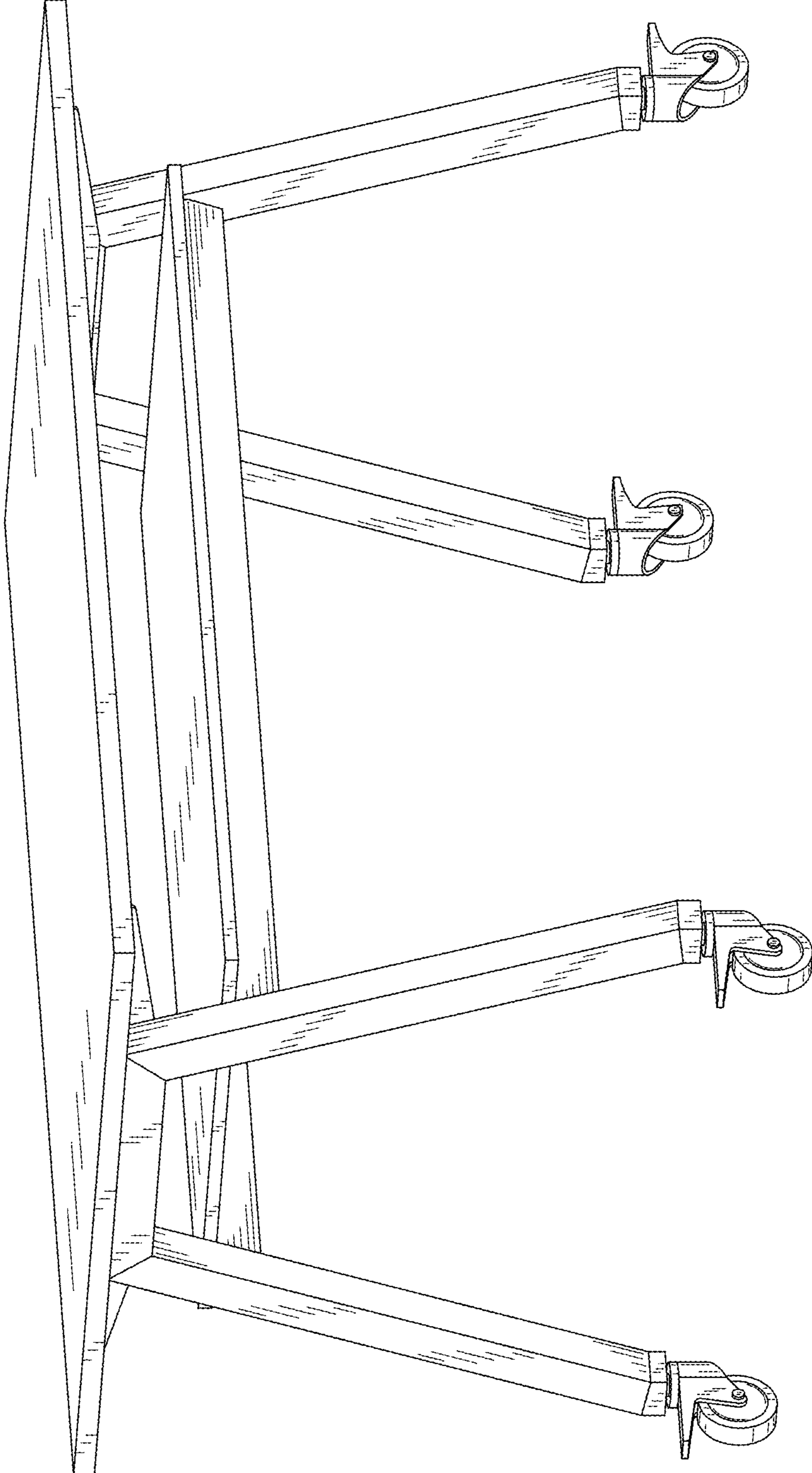


FIG. 1

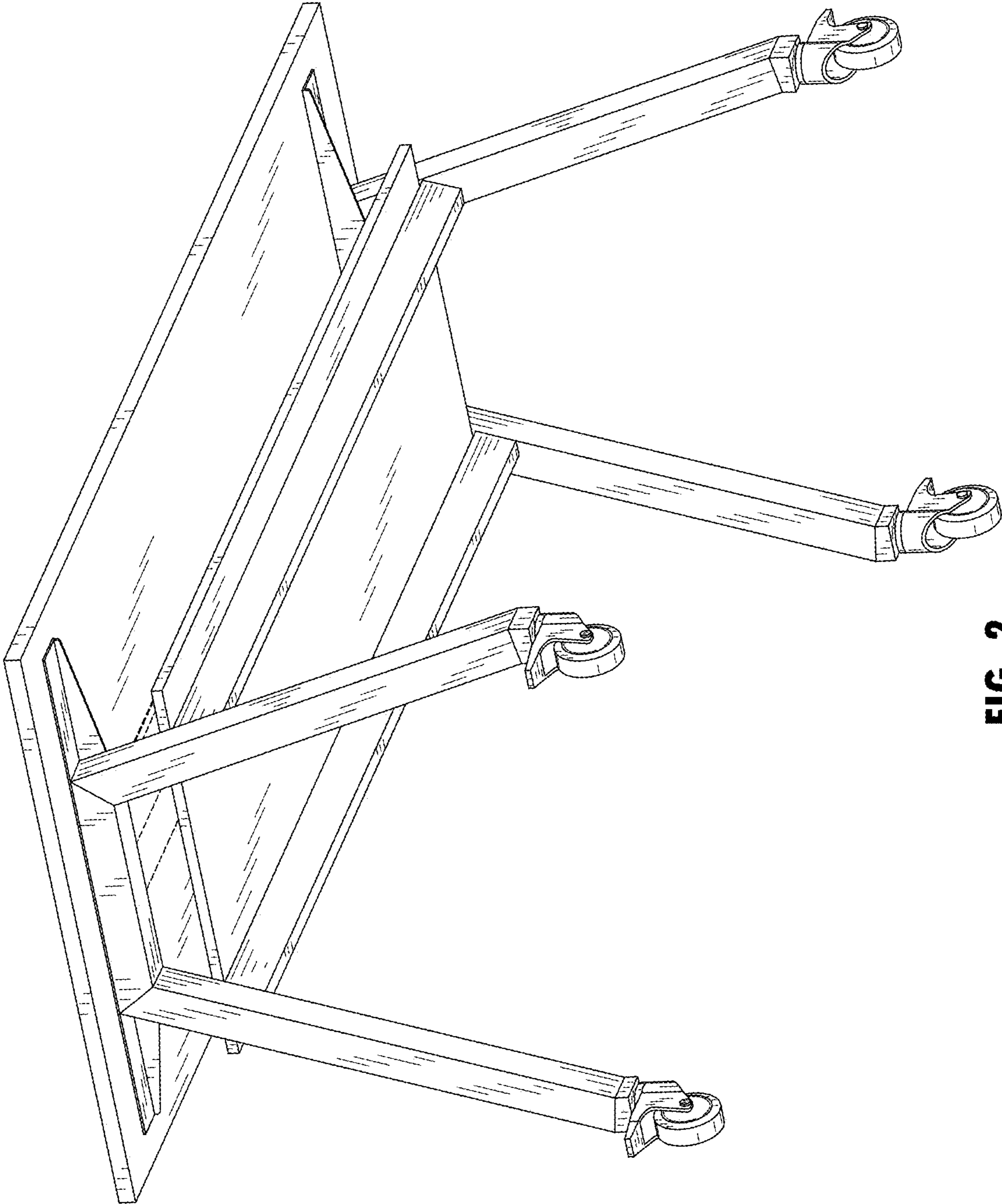


FIG. 2

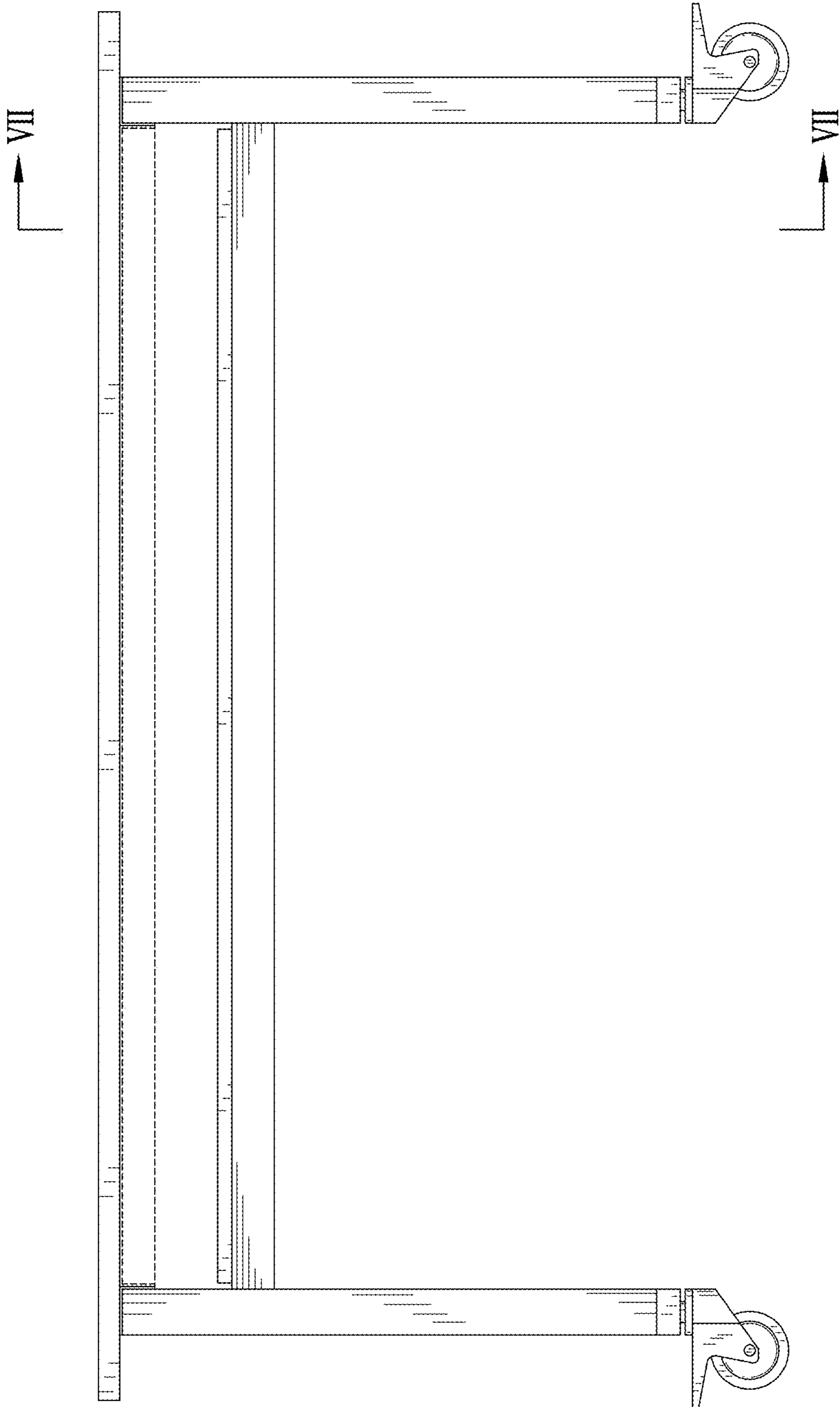


FIG. 3

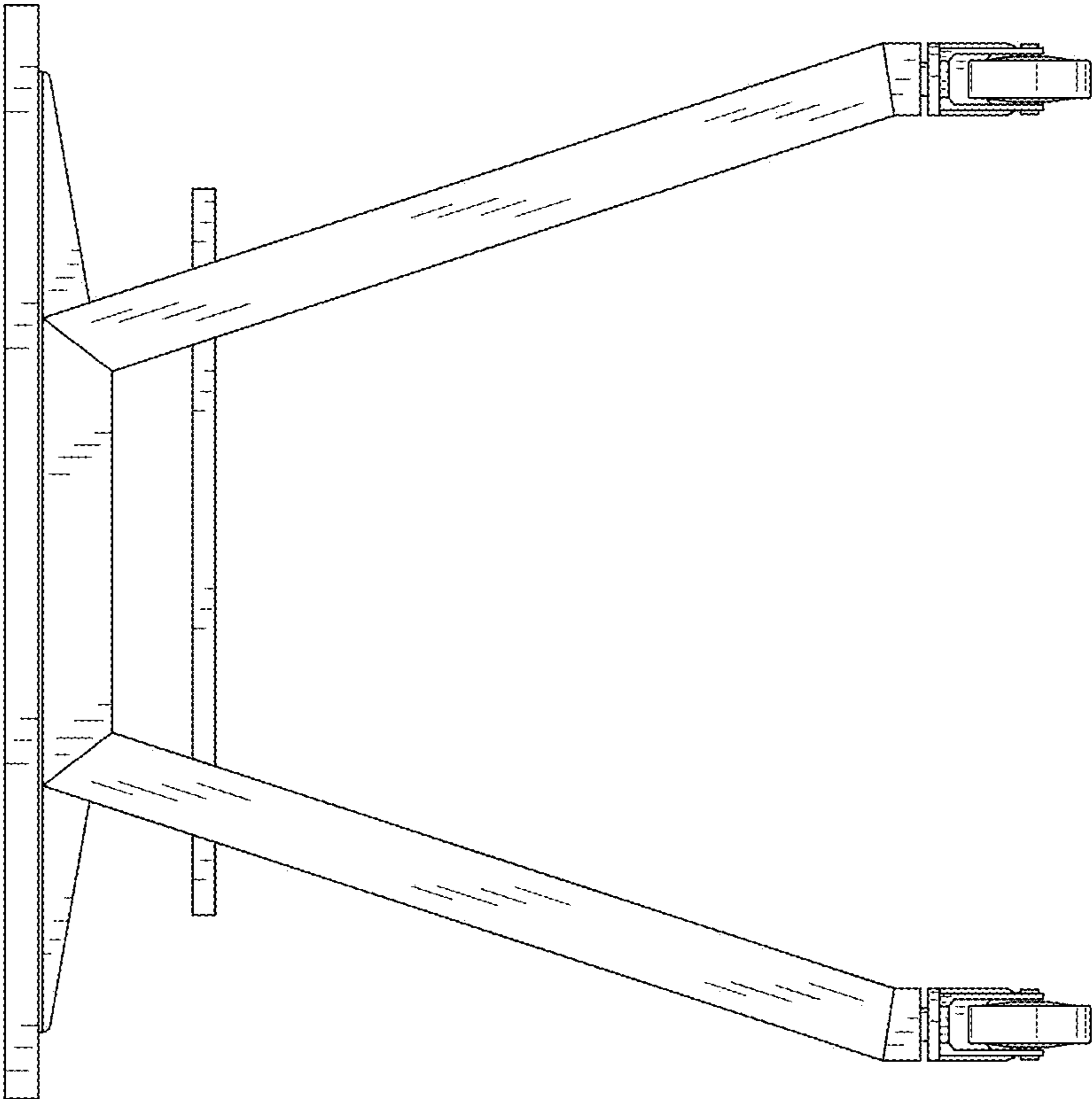


FIG. 4

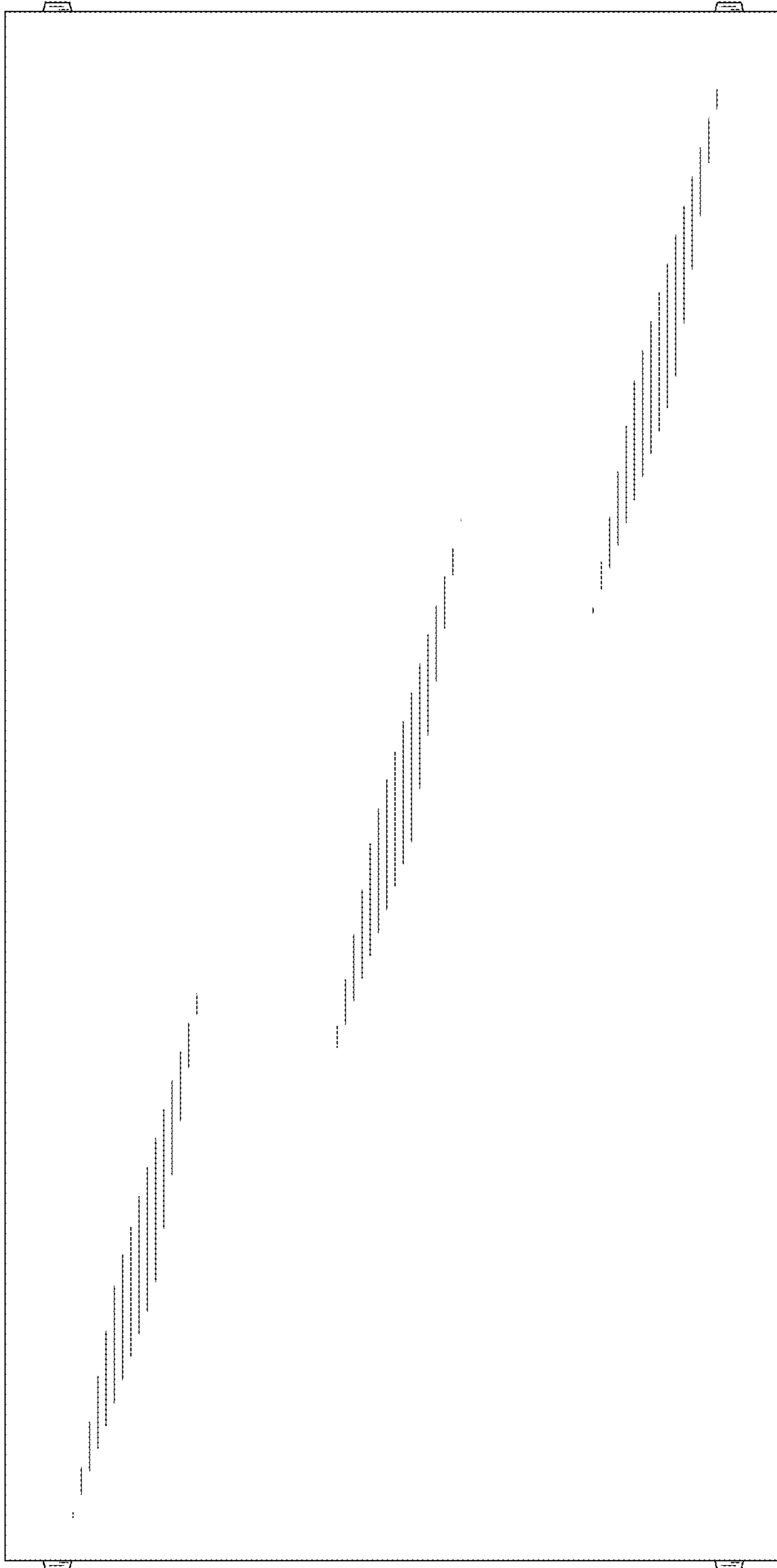


FIG. 5

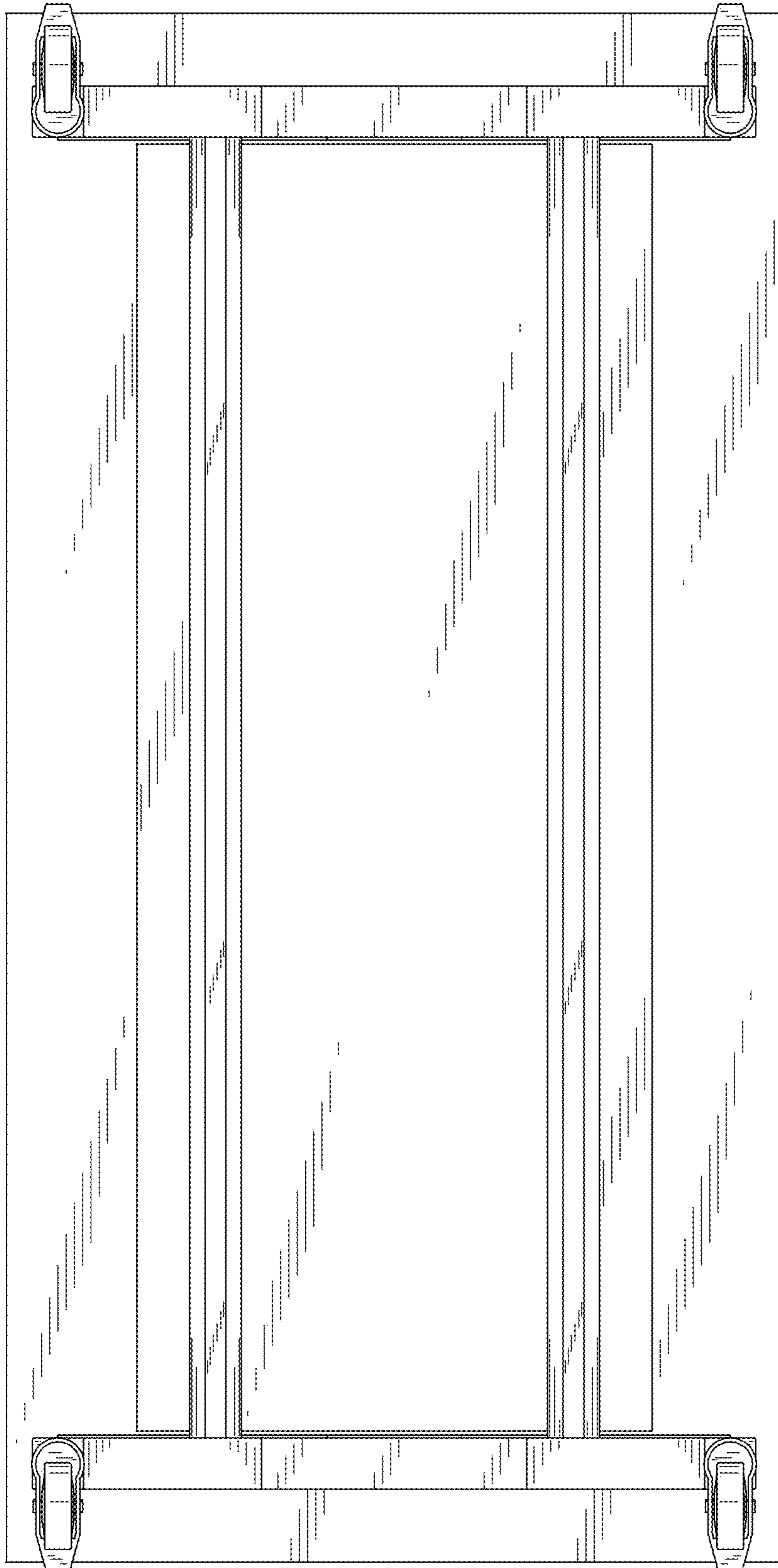


FIG. 6

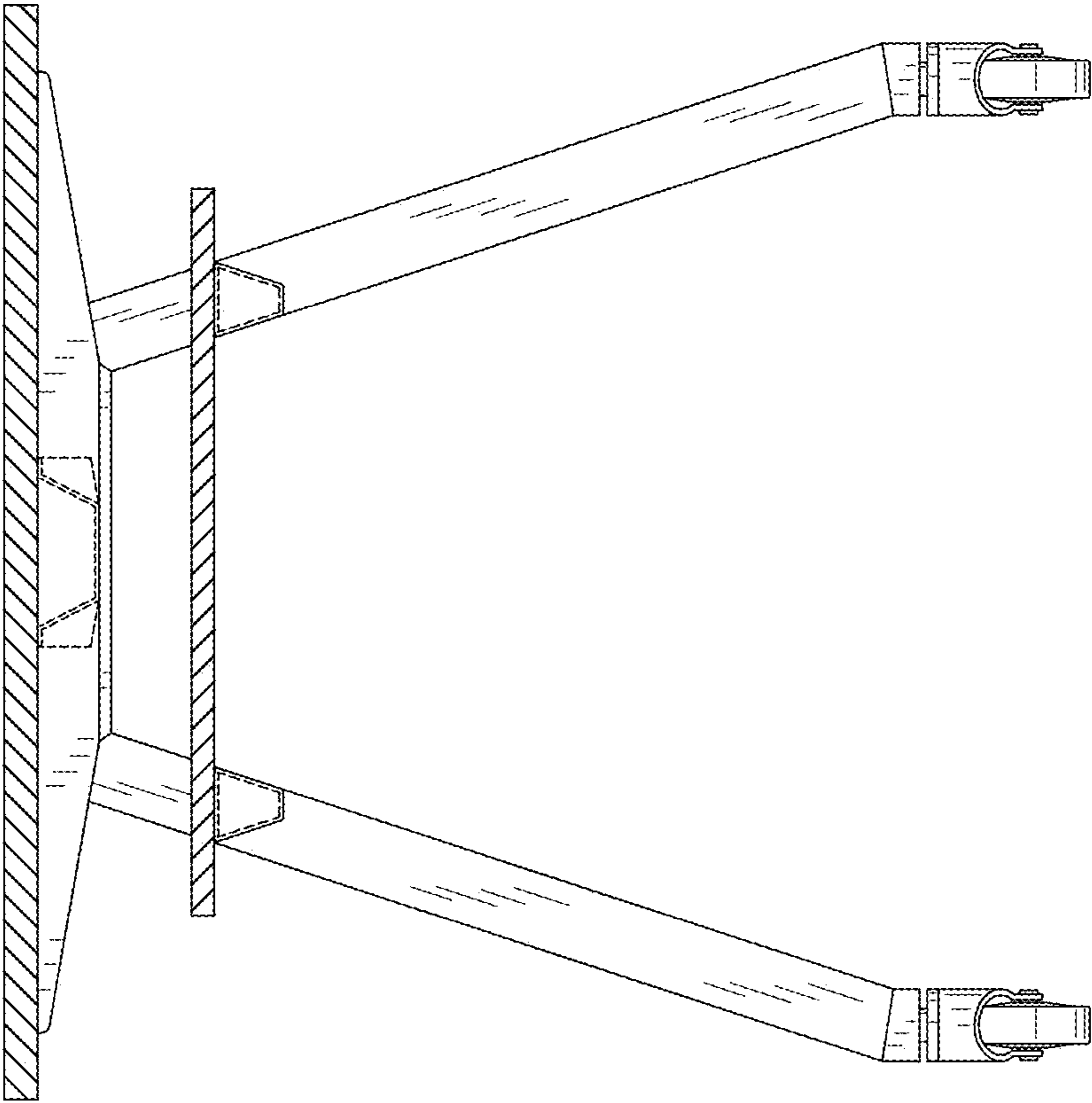


FIG. 7