



US00D891836S

(12) **United States Design Patent** (10) **Patent No.:** **US D891,836 S**
Silkaitis (45) **Date of Patent:** **** Aug. 4, 2020**

- (54) **DISPLAY CONTAINER**
- (71) Applicant: **Medline Industries, Inc.**, Northfield, IL (US)
- (72) Inventor: **Thomas Silkaitis**, Lake Zurich, IL (US)
- (73) Assignee: **Medline Industries, Inc.**, Northfield, IL (US)
- (**) Term: **15 Years**
- (21) Appl. No.: **29/671,979**
- (22) Filed: **Nov. 30, 2018**

D277,532 S * 2/1985 Duhamel D34/17
 D288,394 S * 2/1987 Canter D6/683
 4,962,859 A 10/1990 Kump
 (Continued)

OTHER PUBLICATIONS

“Picture of Display Box”, Medline Display Box; SensiCare Ice—
 shown displaying Curad Exam Gloves; Unknown Publication Date
 but prior to filing of present application.
 (Continued)

Primary Examiner — Kelley A Donnelly
 (74) *Attorney, Agent, or Firm* — Philip H. Burrus, IV

(57) **CLAIM**

The ornamental design for a display container, as shown and described.

DESCRIPTION

FIG. 1 is a perspective view of a first embodiment of a display container, showing my new design;
 FIG. 2 is a front elevation view thereof;
 FIG. 3 is a right side elevation view thereof;
 FIG. 4 is a left side elevation view thereof;
 FIG. 5 is a rear elevation view thereof;
 FIG. 6 is a top plan view thereof;
 FIG. 7 is a bottom plan view thereof; and
 FIG. 8 is another perspective view thereof.
 FIG. 9 is a perspective view of a second embodiment of a display container, showing my new design;
 FIG. 10 is a front elevation view thereof;
 FIG. 11 is a right side elevation view thereof;
 FIG. 12 is a left side elevation view thereof;
 FIG. 13 is a rear elevation view thereof;
 FIG. 14 is a top plan view thereof;
 FIG. 15 is a bottom plan view thereof; and,
 FIG. 16 is another perspective view thereof.
 Dashed lines are included for the purpose of illustrating use and environment and form no part of the claimed design.

Related U.S. Application Data

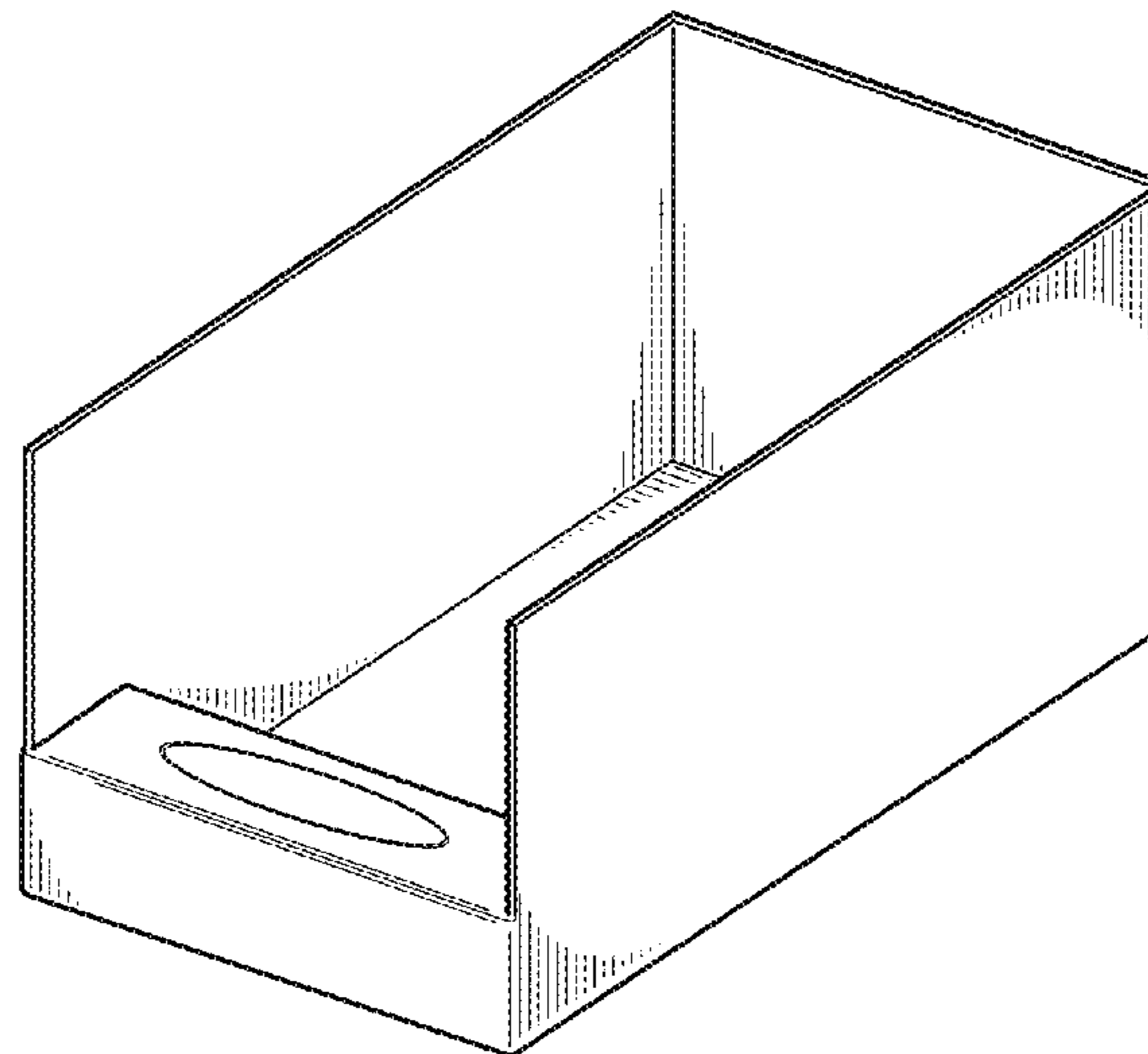
- (62) Division of application No. 29/601,239, filed on Apr. 20, 2017, now Pat. No. Des. 837,577.
- (51) **LOC (12) Cl.** **06-06**
- (52) **U.S. Cl.**
USPC **D6/683**
- (58) **Field of Classification Search**
USPC D7/589; D6/705, 515, 517, 619.1, 619.2, D6/675, 683
CPC A47F 7/00; A47F 7/18; B65D 1/22; B65D 1/24; B65D 85/18
See application file for complete search history.

(56) **References Cited**

U.S. PATENT DOCUMENTS

- 720,345 A 2/1903 Hazeltine
- 1,099,832 A 6/1914 Warren
- 2,278,914 A 4/1942 Cowles
- 3,171,347 A * 3/1965 Elrod B65B 27/083 100/1
- 3,243,079 A 3/1966 Rettmer
- D251,360 S * 3/1979 Collin D9/432
- D256,642 S * 9/1980 Lovell D6/515
- D263,121 S * 2/1982 Lowry D9/432

1 Claim, 8 Drawing Sheets



(56)

References Cited

U.S. PATENT DOCUMENTS

D319,130 S * 8/1991 Williams D3/312
 D320,556 S * 10/1991 Fairhurst D6/559
 5,092,467 A 3/1992 Elward
 5,105,945 A 4/1992 Carver
 5,251,972 A 10/1993 Zurawin
 D344,838 S * 3/1994 Hakansson D3/304
 D352,855 S * 11/1994 Wolff D6/515
 D356,680 S * 3/1995 Edgerton, Jr. D3/313
 D401,119 S * 11/1998 Demore D7/609
 6,021,920 A 2/2000 Aldape
 6,149,111 A 11/2000 Epstein
 D438,688 S * 3/2001 Rastetter D99/29
 D444,965 S * 7/2001 Miller D6/682.4
 D452,820 S * 1/2002 Hacker D9/456
 D457,352 S * 5/2002 Hansen D7/701
 6,439,386 B1 8/2002 Sauer et al.
 D469,974 S * 2/2003 Scribner D6/407
 6,520,339 B1 2/2003 Conway, Jr.
 6,547,095 B1 4/2003 Emoff
 D474,923 S * 5/2003 Johnson D6/407
 D477,915 S * 8/2003 Slight D3/313
 D479,062 S * 9/2003 Meyer D34/38
 D513,757 S * 1/2006 Grobleben D15/89
 D529,311 S * 10/2006 Waldron D6/683
 7,422,296 B2 9/2008 Williquette et al.
 7,731,085 B2 6/2010 Gillespie
 D622,989 S 9/2010 Lagler et al.
 8,025,187 B2 9/2011 Sottosanti, Jr. et al.
 D666,903 S * 9/2012 McIntosh D9/418

D689,718 S * 9/2013 Puckett D6/683
 D697,793 S * 1/2014 Levy D9/423
 D715,641 S * 10/2014 Spinos D9/432
 D781,625 S * 3/2017 Poniatowski D6/683
 D783,395 S * 4/2017 Wang D9/418
 D786,588 S * 5/2017 Knapp D6/675
 D795,060 S * 8/2017 Talios D9/432
 D837,577 S 1/2019 Silkaitis
 2006/0186184 A1 8/2006 Jourdain
 2007/0045333 A1 3/2007 Mitchell
 2008/0308572 A1 12/2008 Gillespie et al.
 2010/0163569 A1 7/2010 Parker
 2012/0279992 A1 11/2012 Wilder
 2013/0146501 A1 6/2013 Zusmanis et al.
 2013/0228589 A1 9/2013 Nickerson
 2016/0338487 A1 11/2016 McGrane et al.

OTHER PUBLICATIONS

Donnelly, Kelley, "Notice of Allowance", U.S. Appl. No. 29/601,239; filed Apr. 20, 2017; dated Aug. 24, 2018.
 Donnelly, Kelley, A. , "Ex Parte Quayle", U.S. Appl. No. 29/601,239; filed Apr. 20, 2017; dated Apr. 9, 2018.
 Cheung, Chun H. , "NonFinal OA", U.S. Appl. No. 15/492,456, filed Apr. 20, 2017; dated Jan. 22, 2019.
 Cheung, Chun Hoi , "NonFinal Office Action", U.S. Appl. No. 15/492,456, filed Apr. 20, 2017; dated Nov. 15, 2019.
 Cheung, Chun , "Final Office Action", U.S. Appl. No. 15/492,456, filed Apr. 20, 2017; dated Jul. 2, 2019.

* cited by examiner

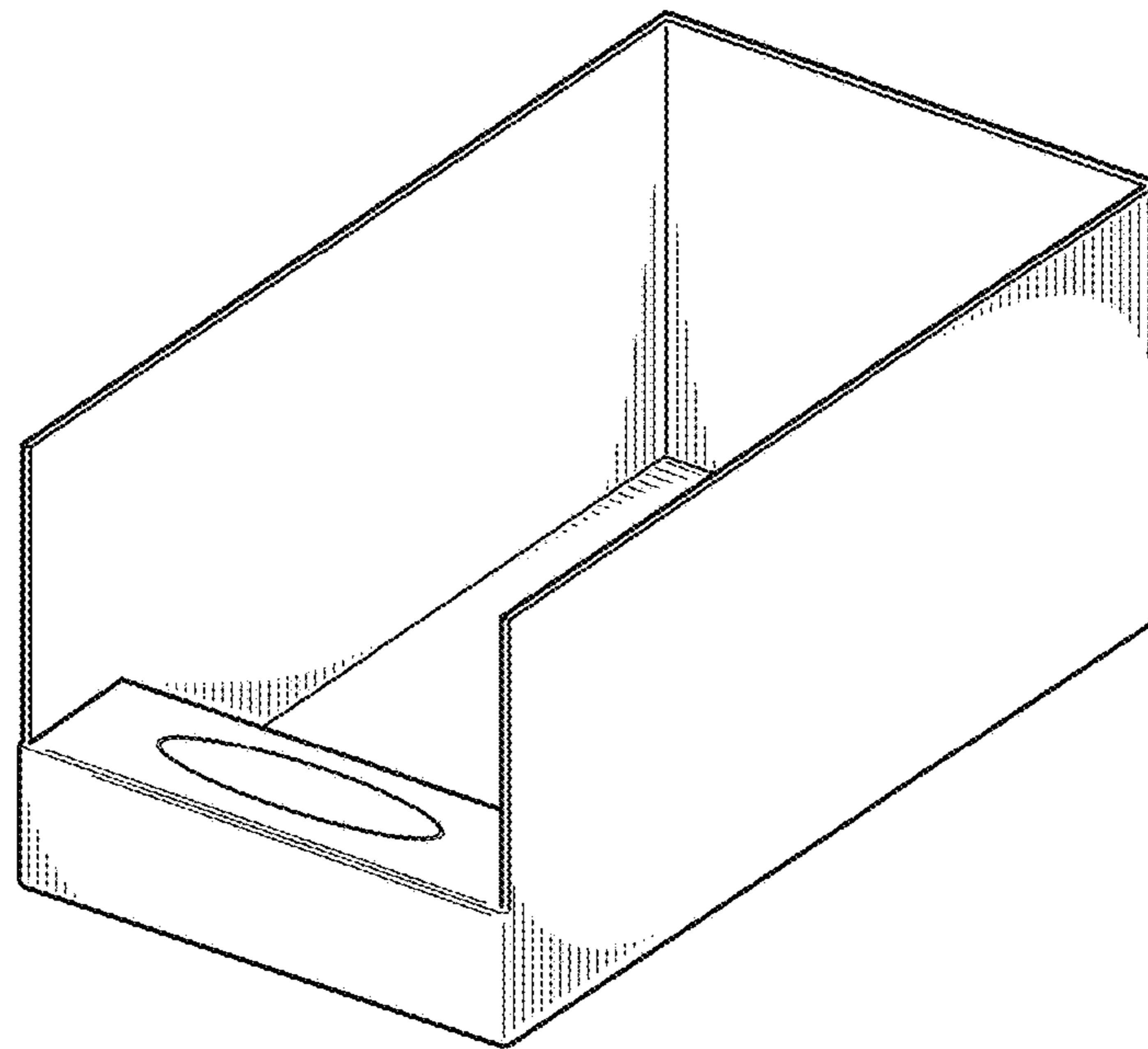


FIG. 1

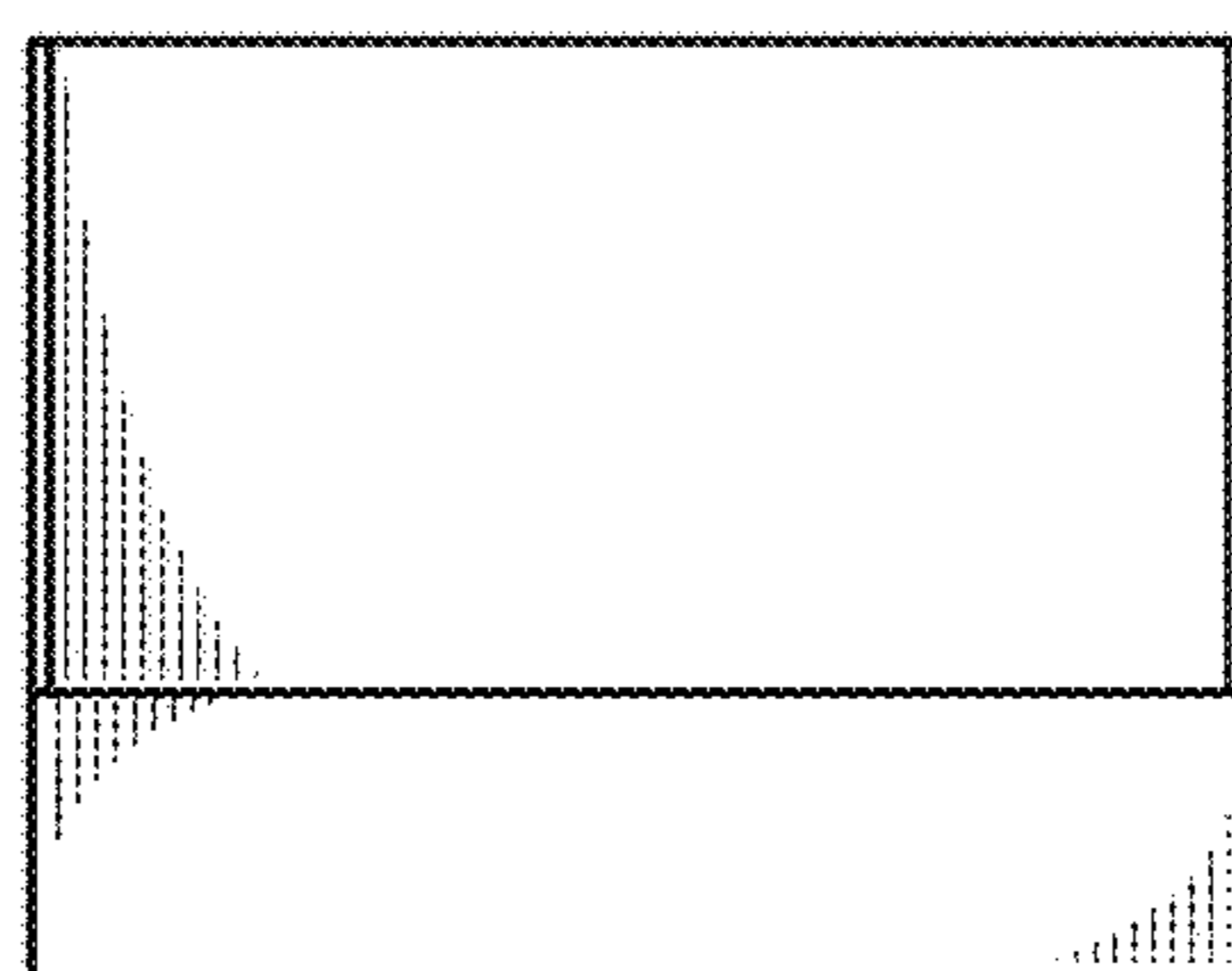


FIG. 2



FIG. 3



FIG. 4

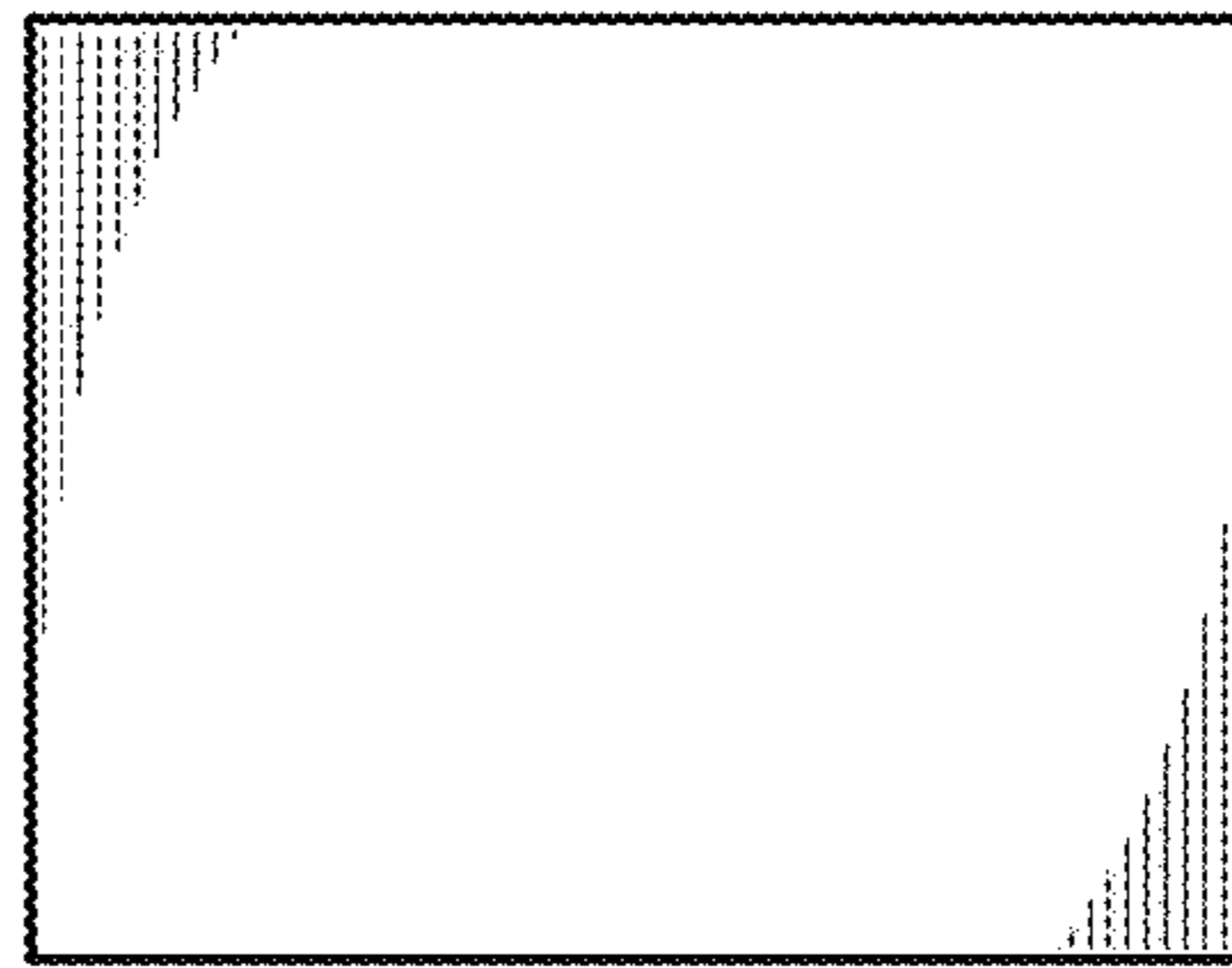


FIG. 5

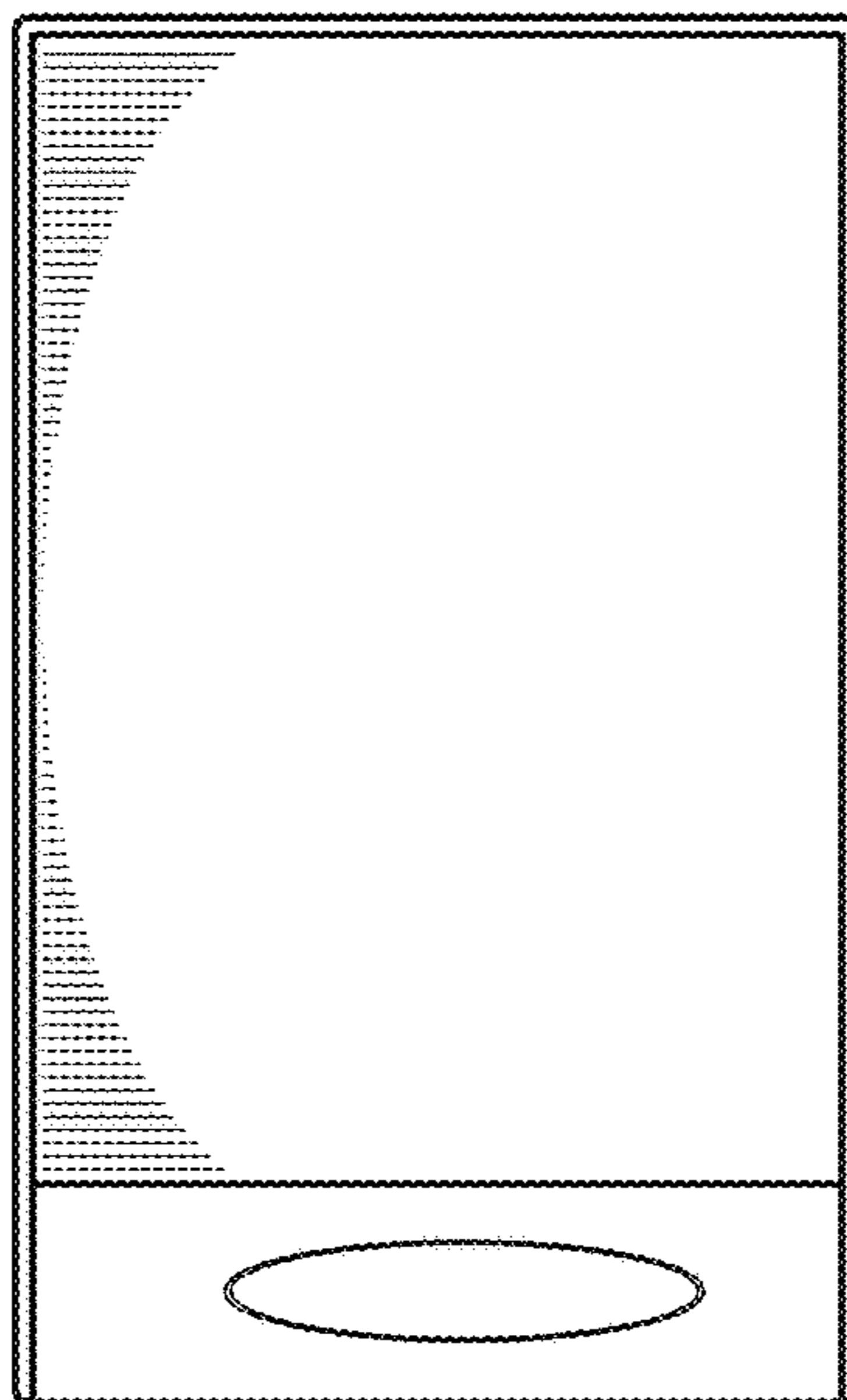


FIG. 6

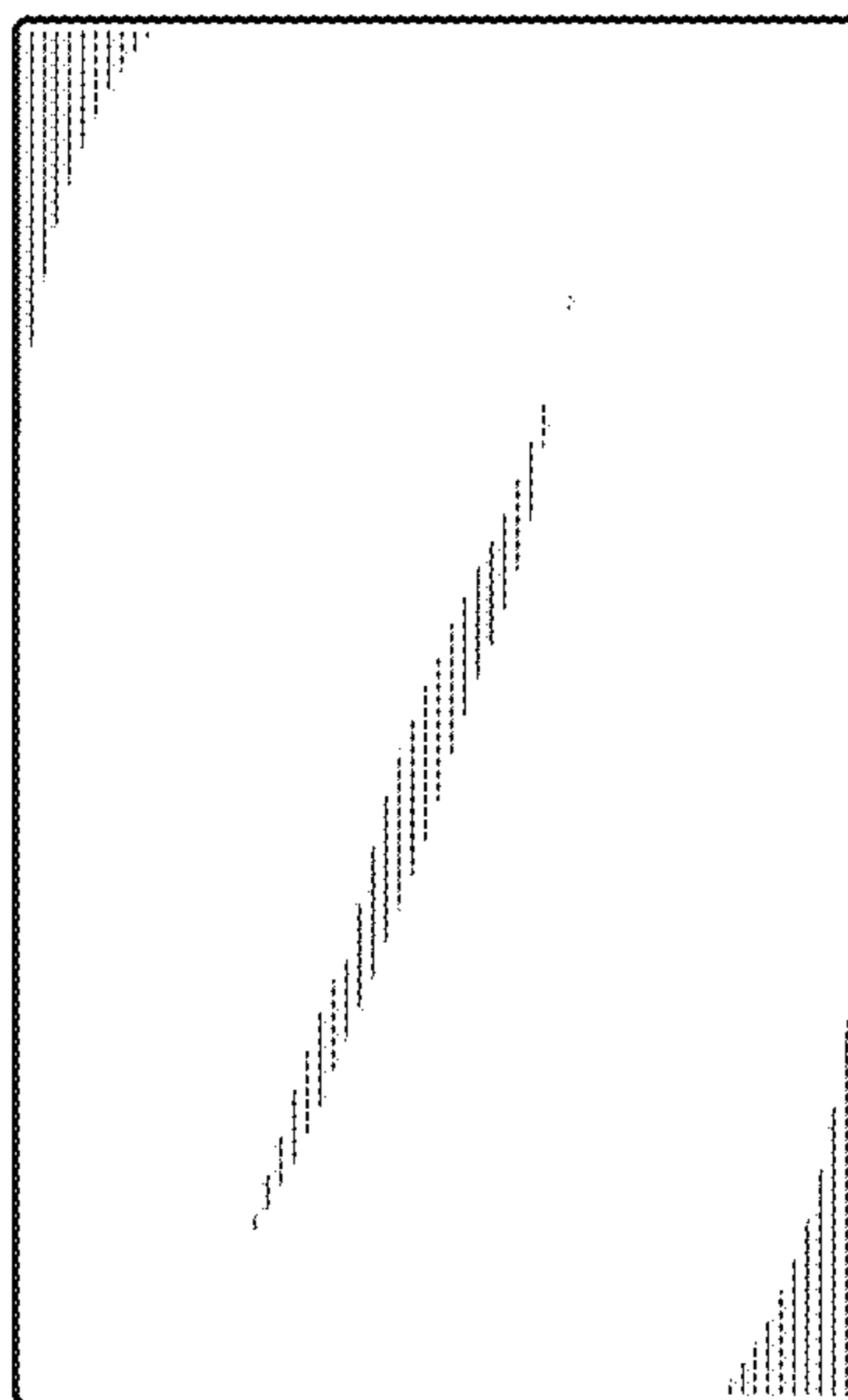


FIG. 7

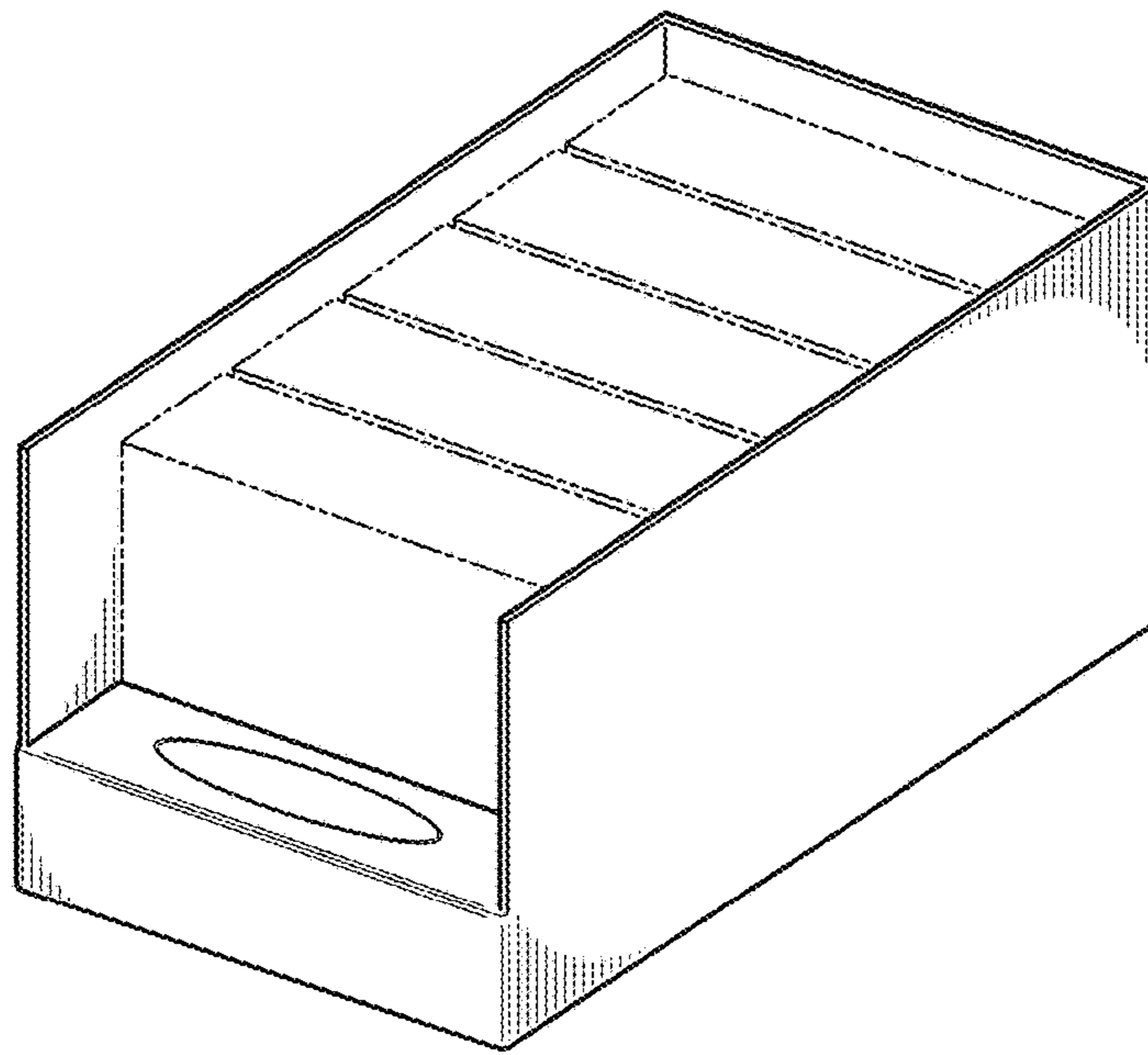


FIG. 8

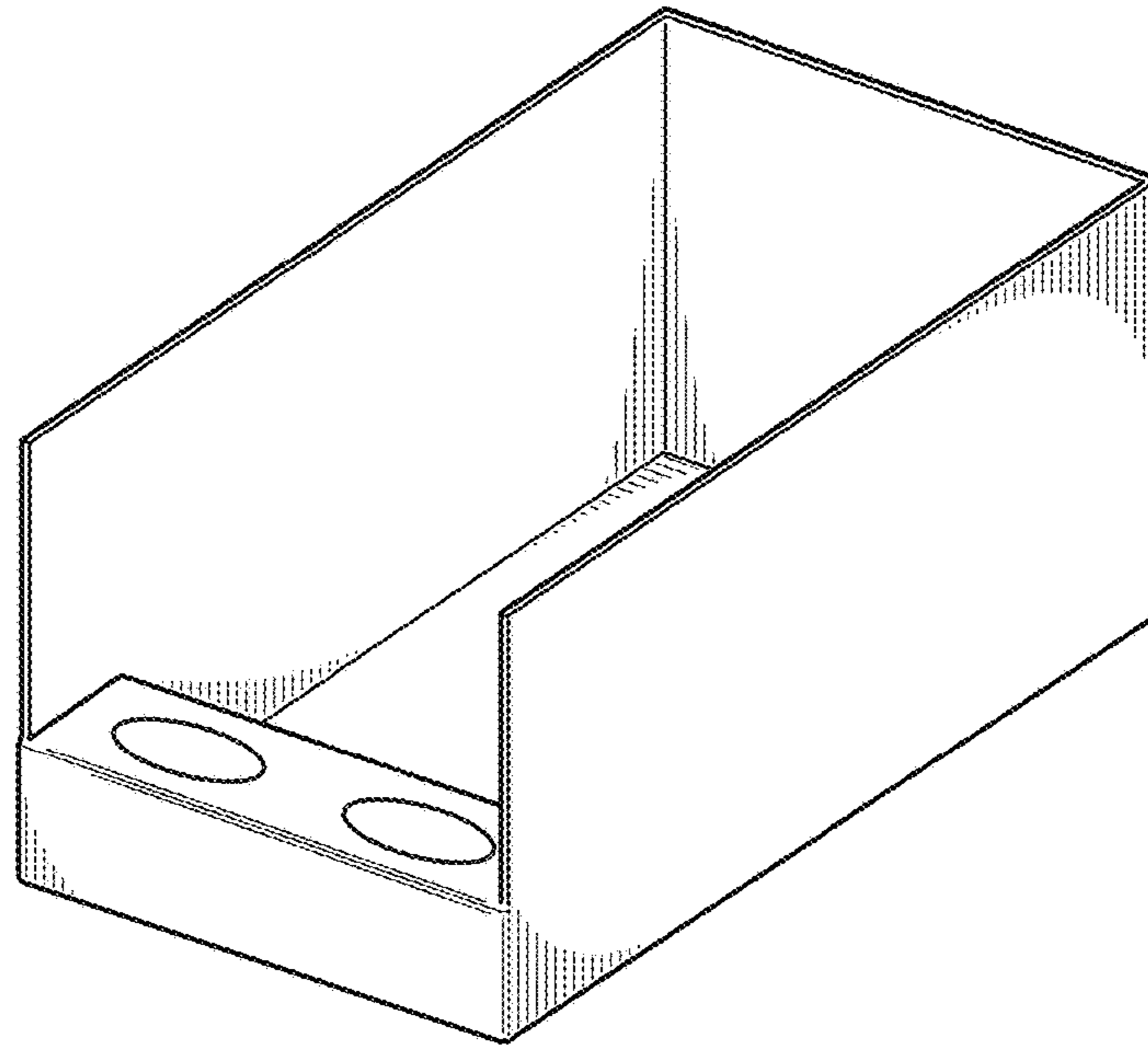


FIG. 9

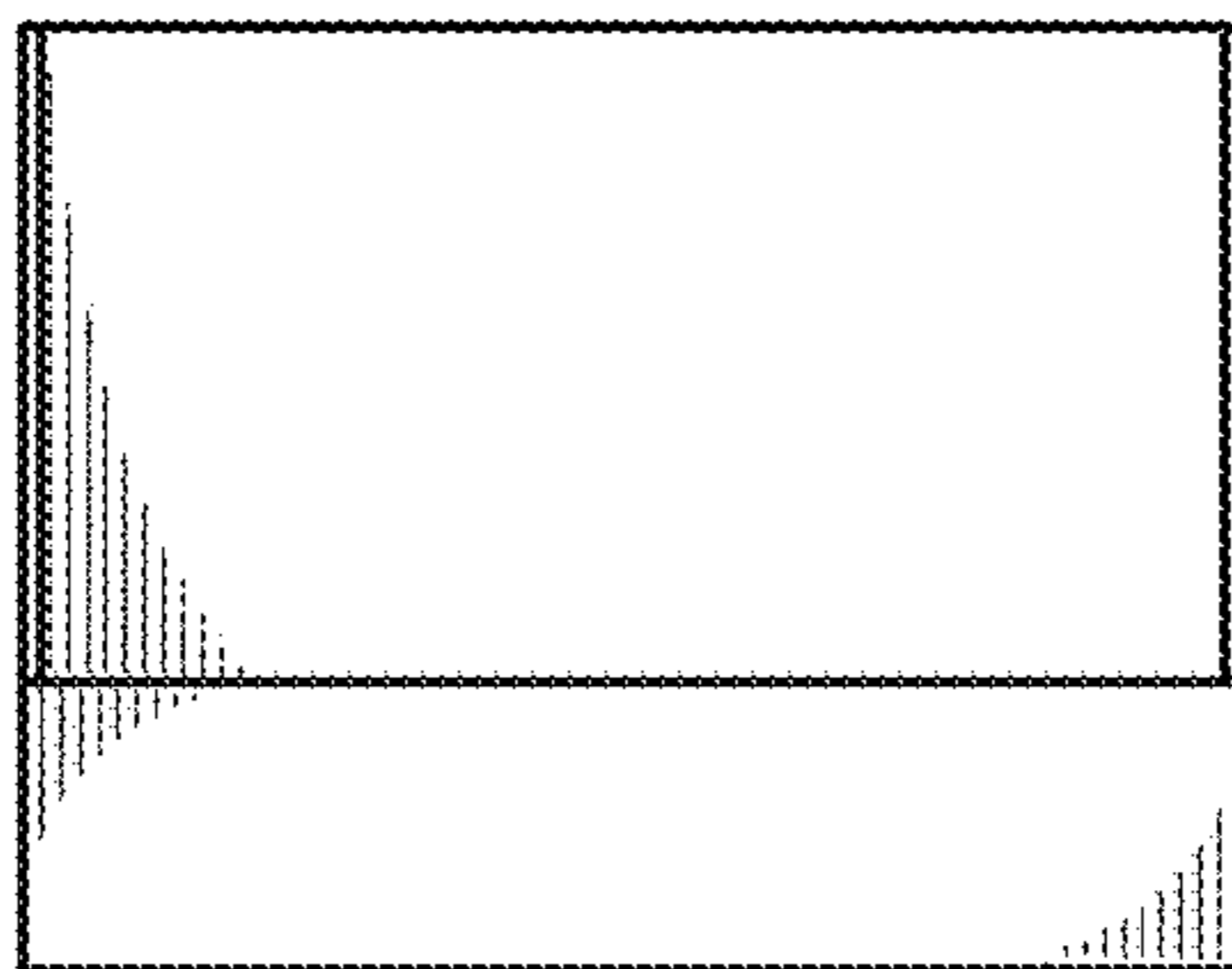


FIG. 10

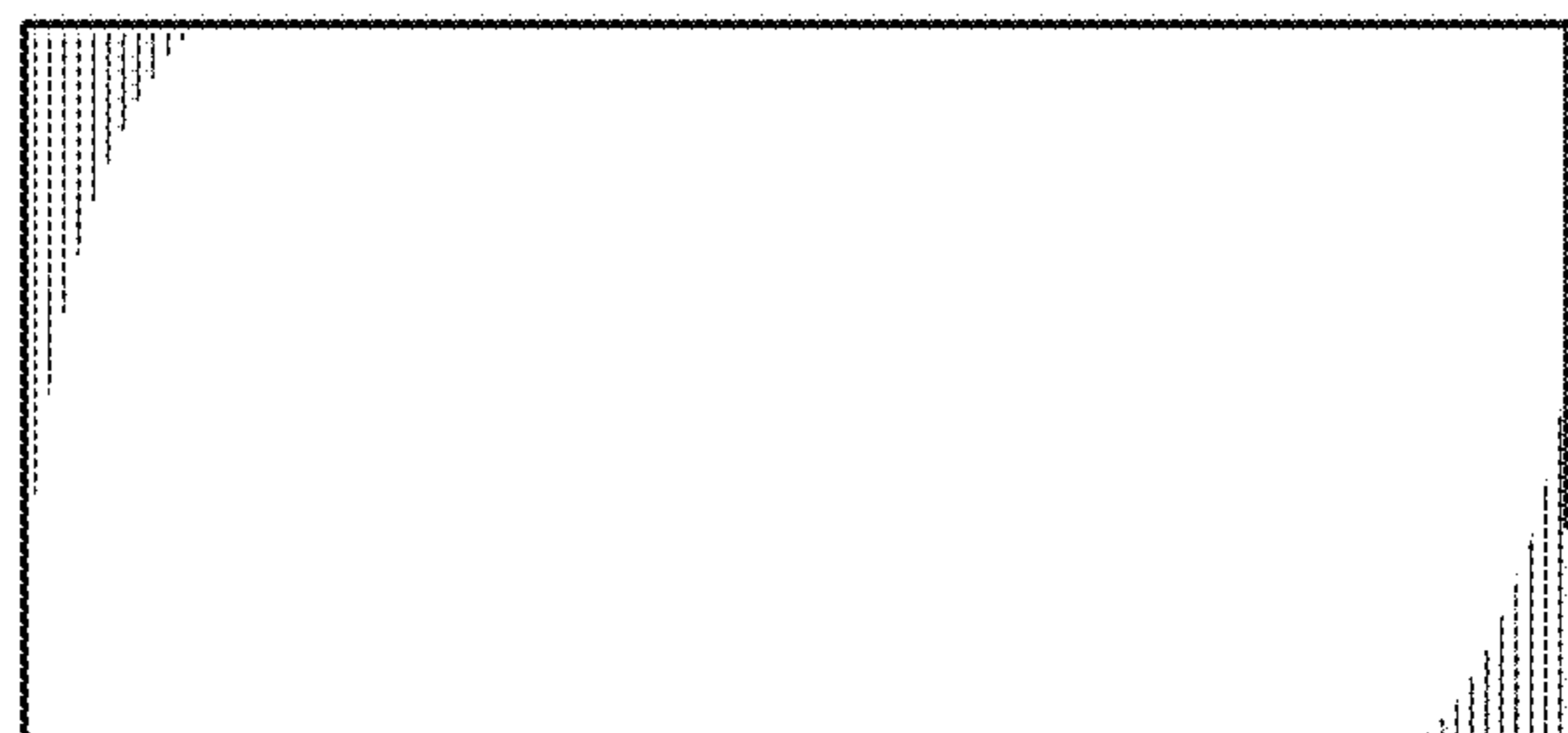


FIG. 11

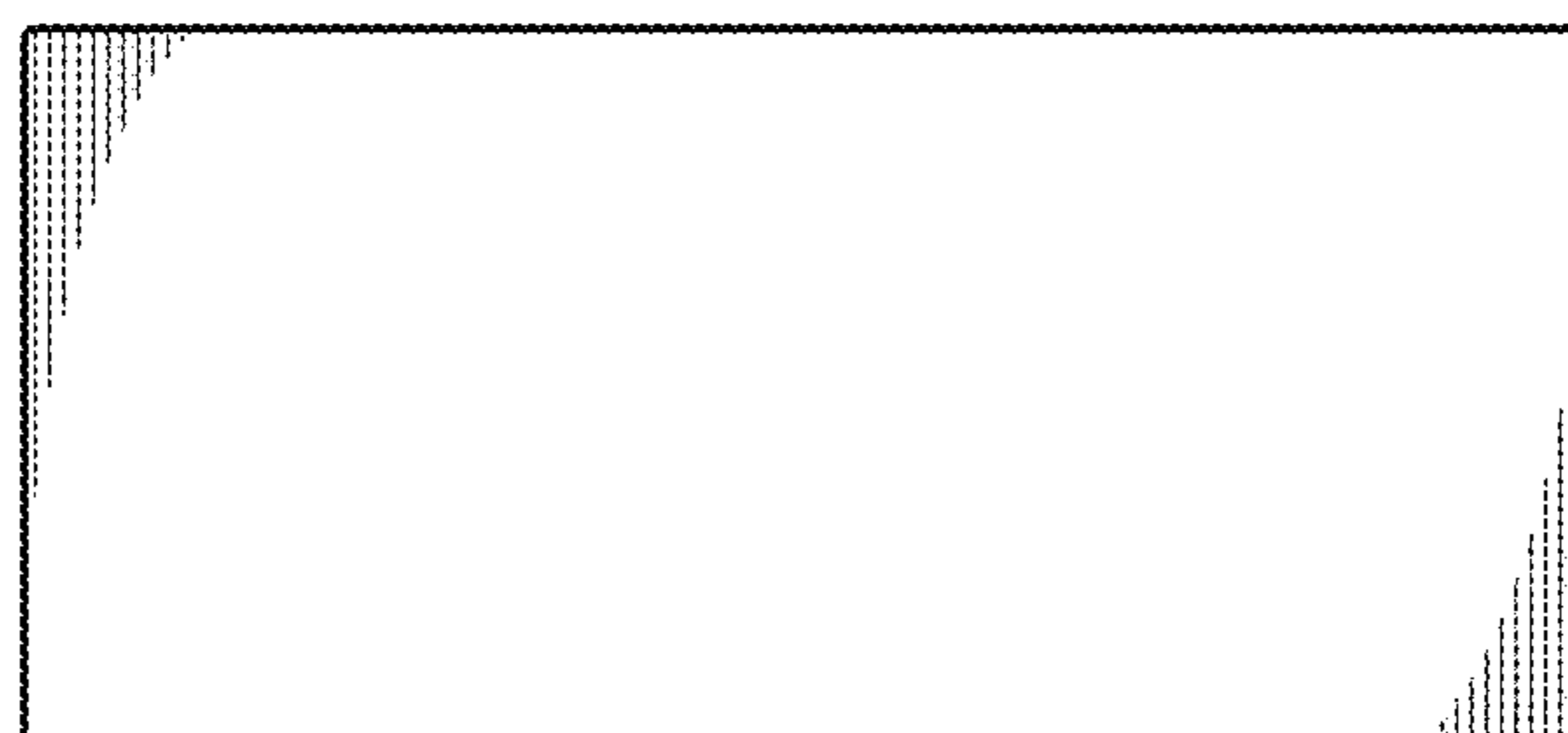


FIG. 12

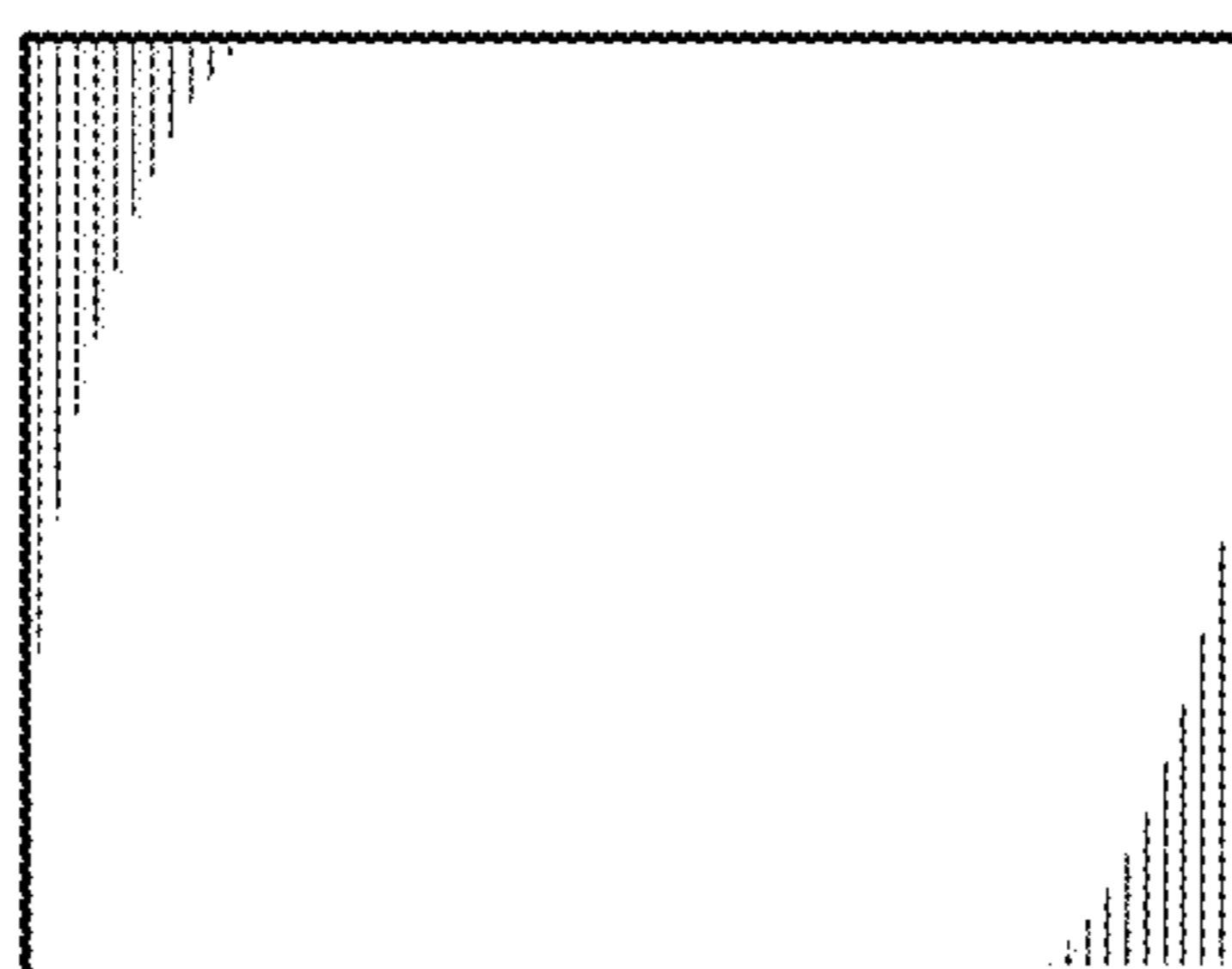


FIG. 13

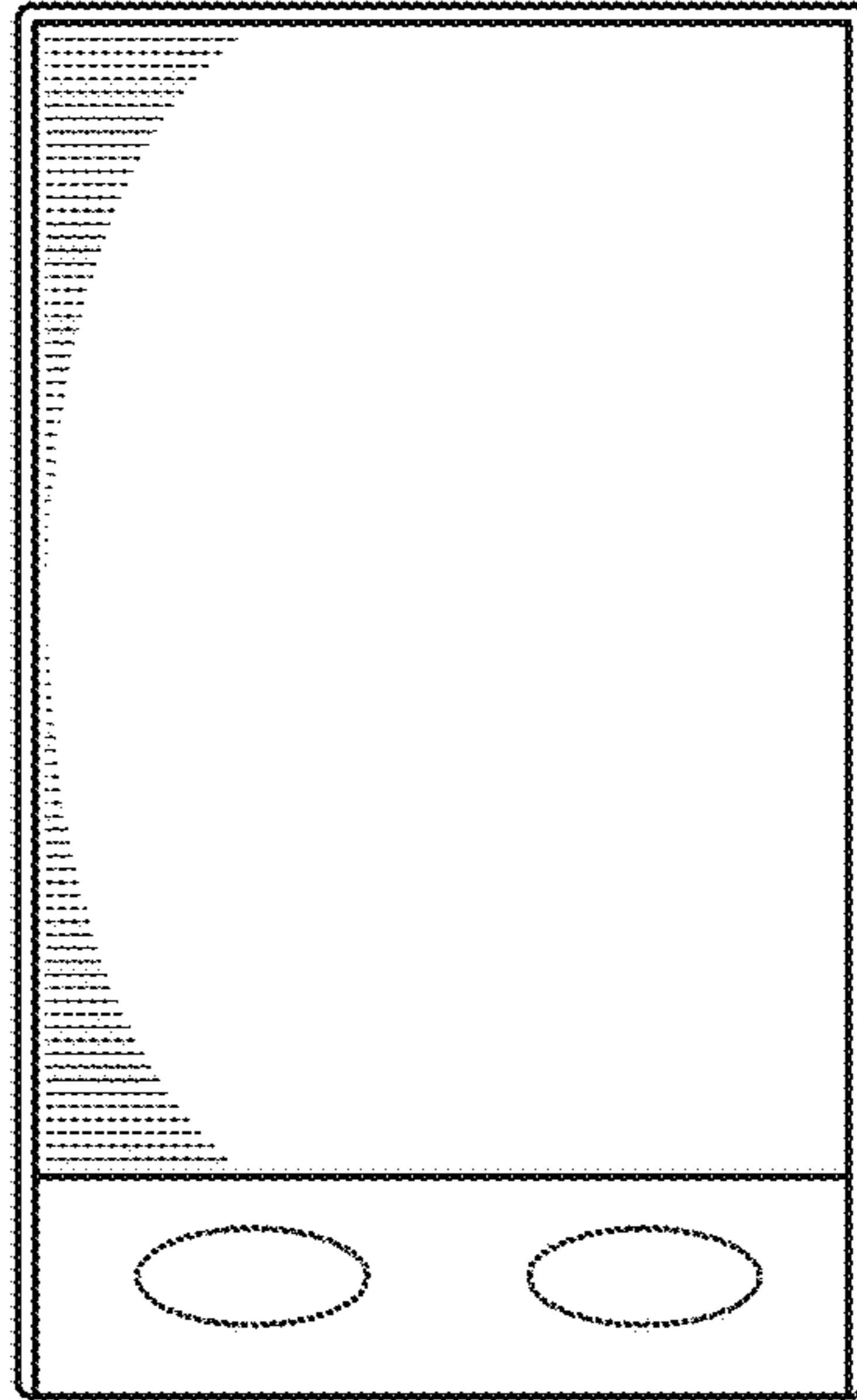


FIG. 14

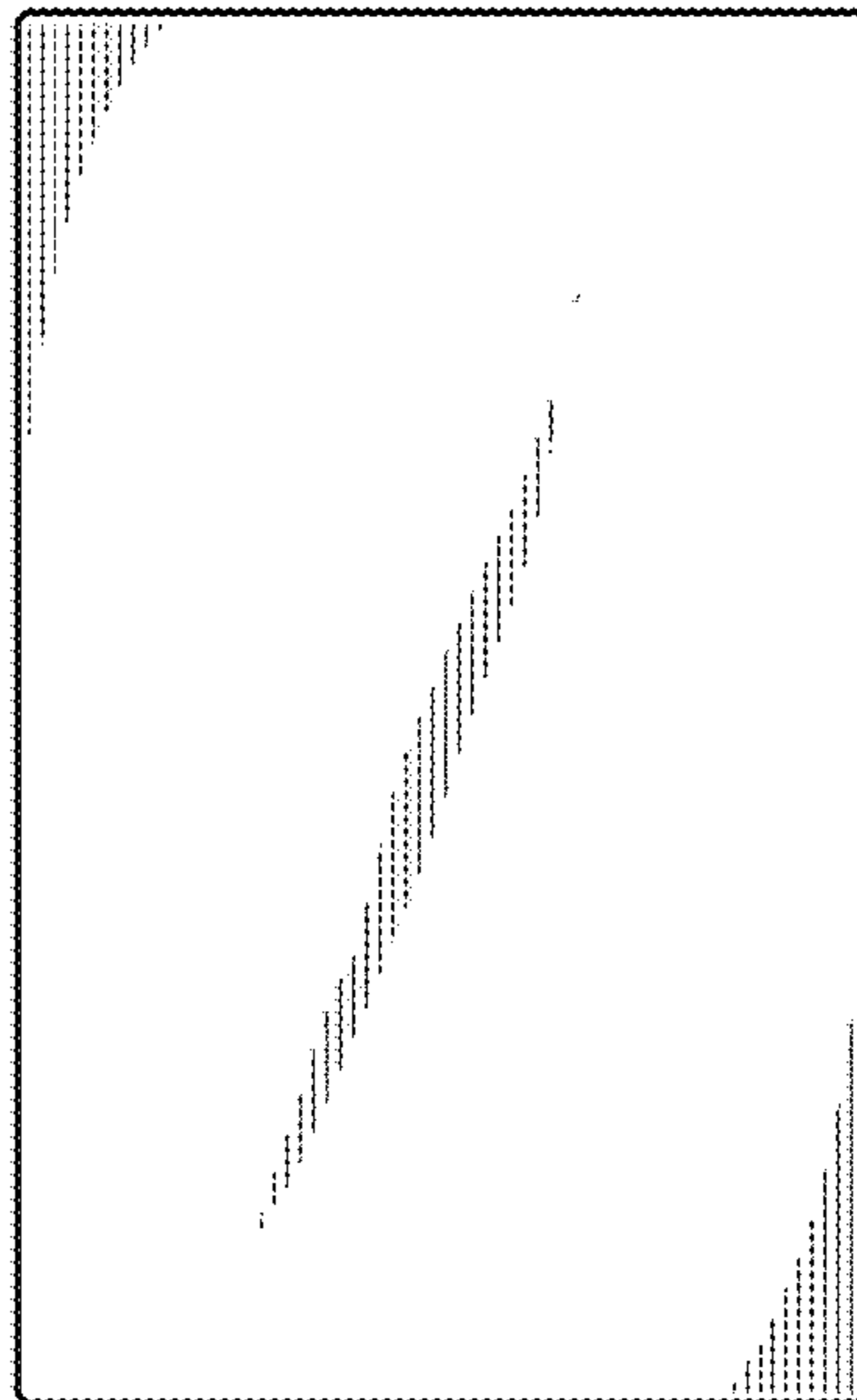


FIG. 15

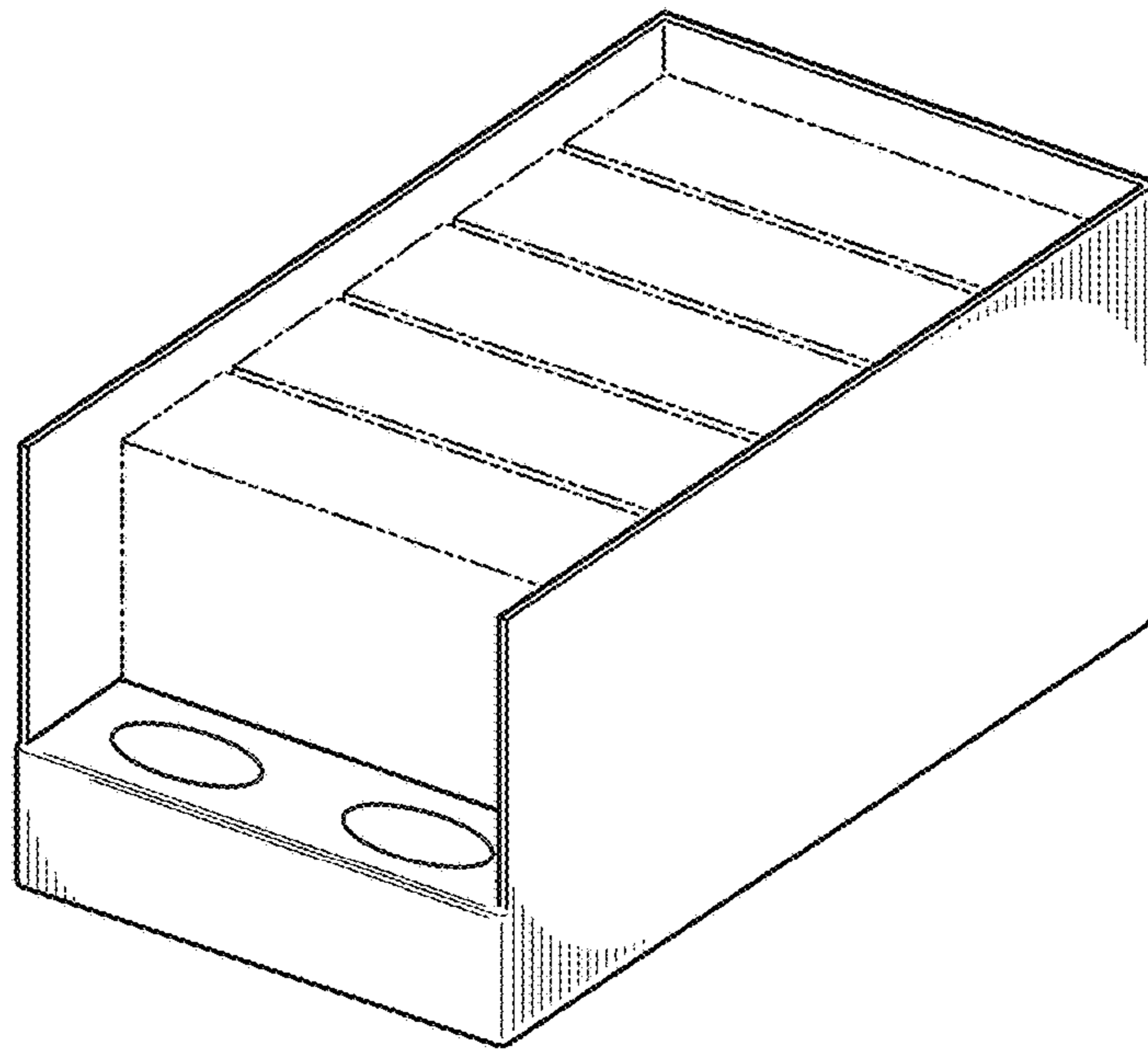


FIG. 16