



US00D891835S

(12) **United States Design Patent** (10) **Patent No.:** **US D891,835 S**
Blevins et al. (45) **Date of Patent:** **** Aug. 4, 2020**

- (54) **DEVICE FOR HOLDING PORTABLE ELECTRONICS**
- (71) Applicant: **NBRYTE, LLC**, Carson, CA (US)
- (72) Inventors: **Conrad Scott Blevins**, Carson, CA (US); **Greg Thüne**, Los Angeles, CA (US)
- (73) Assignee: **NBRYTE, LLC**, Carson, CA (US)
- (**) Term: **15 Years**
- (21) Appl. No.: **29/725,883**
- (22) Filed: **Feb. 27, 2020**

D506,833	S	*	6/2005	Wescott, III	B01L 9/06
						D24/230
D562,591	S	*	2/2008	Raile	D6/682.2
D566,423	S	*	4/2008	Raile	D6/682.2
D597,370	S	*	8/2009	Watkins	D7/354
D621,639	S	*	8/2010	Merrick	D6/682.2
D642,408	S	*	8/2011	Pirkl	D6/707.19
D642,409	S	*	8/2011	Pirkl	D6/707.19
D652,228	S	*	1/2012	Silver	D6/691.8
D785,428	S	*	5/2017	Friesen	D8/71
D831,395	S	*	10/2018	Vargas, II	D6/707.19
D857,698	S	*	8/2019	Hu	D14/447
D861,077	S	*	9/2019	Wang	D21/397
D878,121	S	*	3/2020	Blevins	D6/682.2
2018/0085912	A1	*	3/2018	Cindric	B25H 1/10
2019/0314975	A1	*	10/2019	Sun	B25H 1/04

* cited by examiner

Related U.S. Application Data

- (63) Continuation of application No. 29/668,683, filed on Nov. 1, 2018, now Pat. No. Des. 878,121.
- (51) **LOC (12) Cl.** **06-06**
- (52) **U.S. Cl.**
USPC **D6/682.2**
- (58) **Field of Classification Search**
USPC D6/406.3, 406.4, 406.5, 406.6, 675, 680, D6/682, 682.1, 682.2; D14/447, 432, D14/434, 439-440, 451, 452, 457, 239; D8/363, 373, 380
CPC A47B 21/04; A47B 2097/006; A47B 2097/005; A47B 2023/049; A45C 2011/002; A45C 2011/003
See application file for complete search history.

Primary Examiner — Kelley A Donnelly

(74) *Attorney, Agent, or Firm* — Hodgson Russ LLP

(57) **CLAIM**

The ornamental design for a device for holding portable electronics, as shown and described.

DESCRIPTION

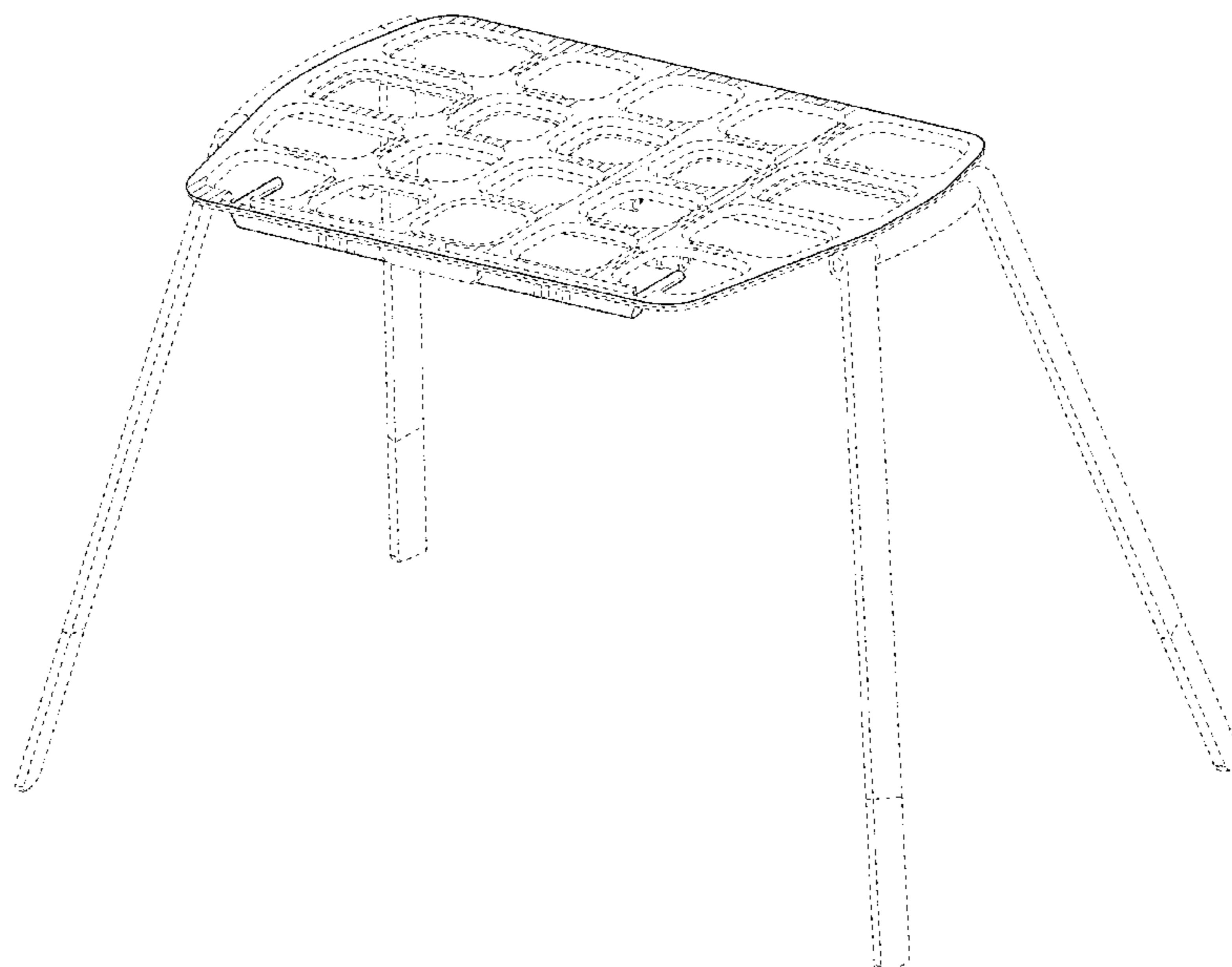
FIG. 1 is a front perspective view of a device for holding portable electronics, showing our new design; FIG. 2 is a front elevation view thereof; FIG. 3 is a rear elevation view thereof; FIG. 4 is a left side elevation view thereof; FIG. 5 is a right side elevation view thereof; FIG. 6 a top plan view thereof; FIG. 7 is a bottom plan view thereof; and, FIG. 8 is a rear perspective view thereof, showing the device for holding portable electronics holding an exemplary laptop computer in a tilted position. The broken lines illustrate environmental features that form no part of the claimed design.

1 Claim, 8 Drawing Sheets

(56) **References Cited**

U.S. PATENT DOCUMENTS

D188,522	S	*	8/1960	Preda	D6/674
D360,321	S	*	7/1995	Wang	D6/682.2
D440,256	S	*	4/2001	Wang	D20/10
D454,013	S	*	3/2002	Wang	D6/682.2



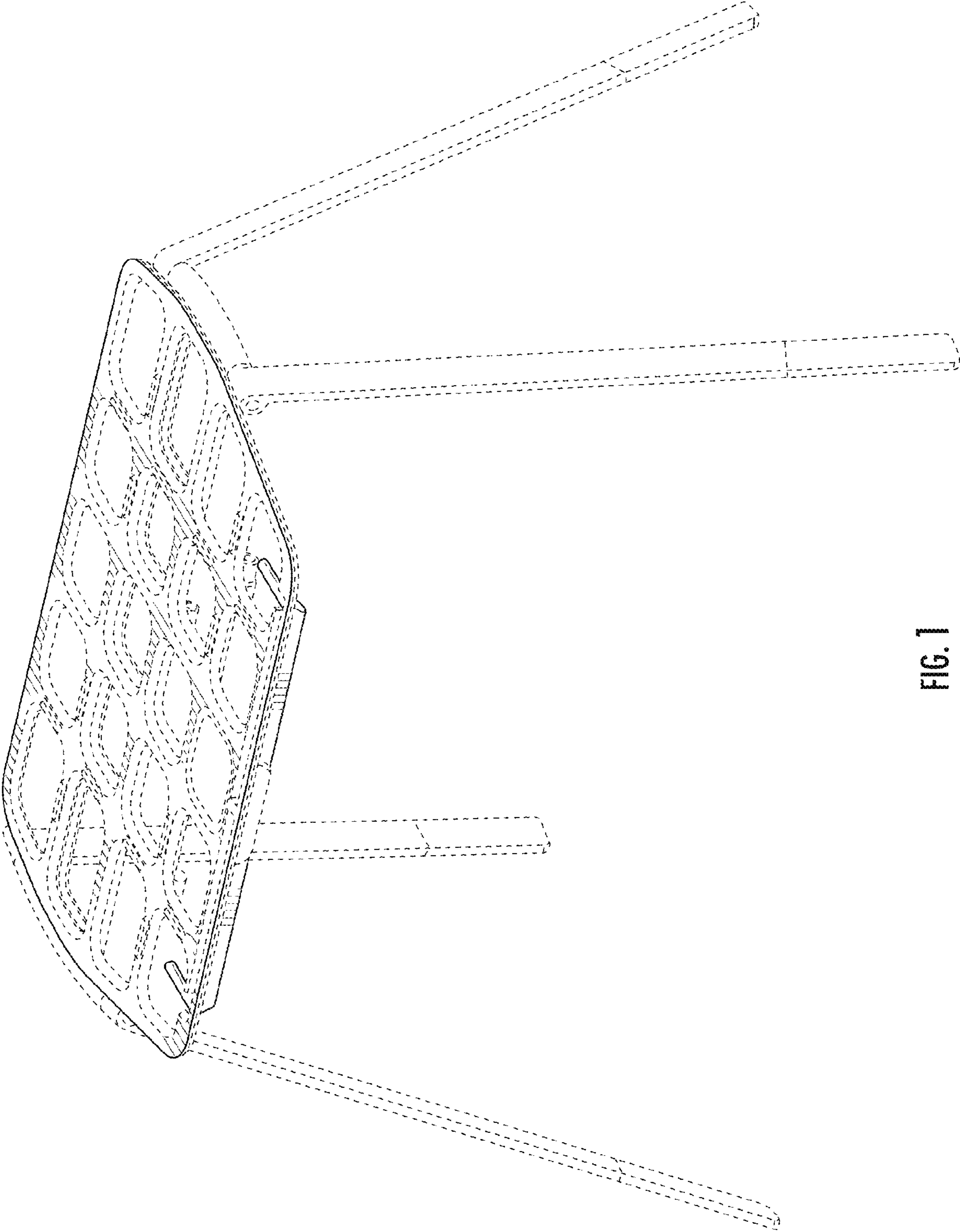


FIG. 1

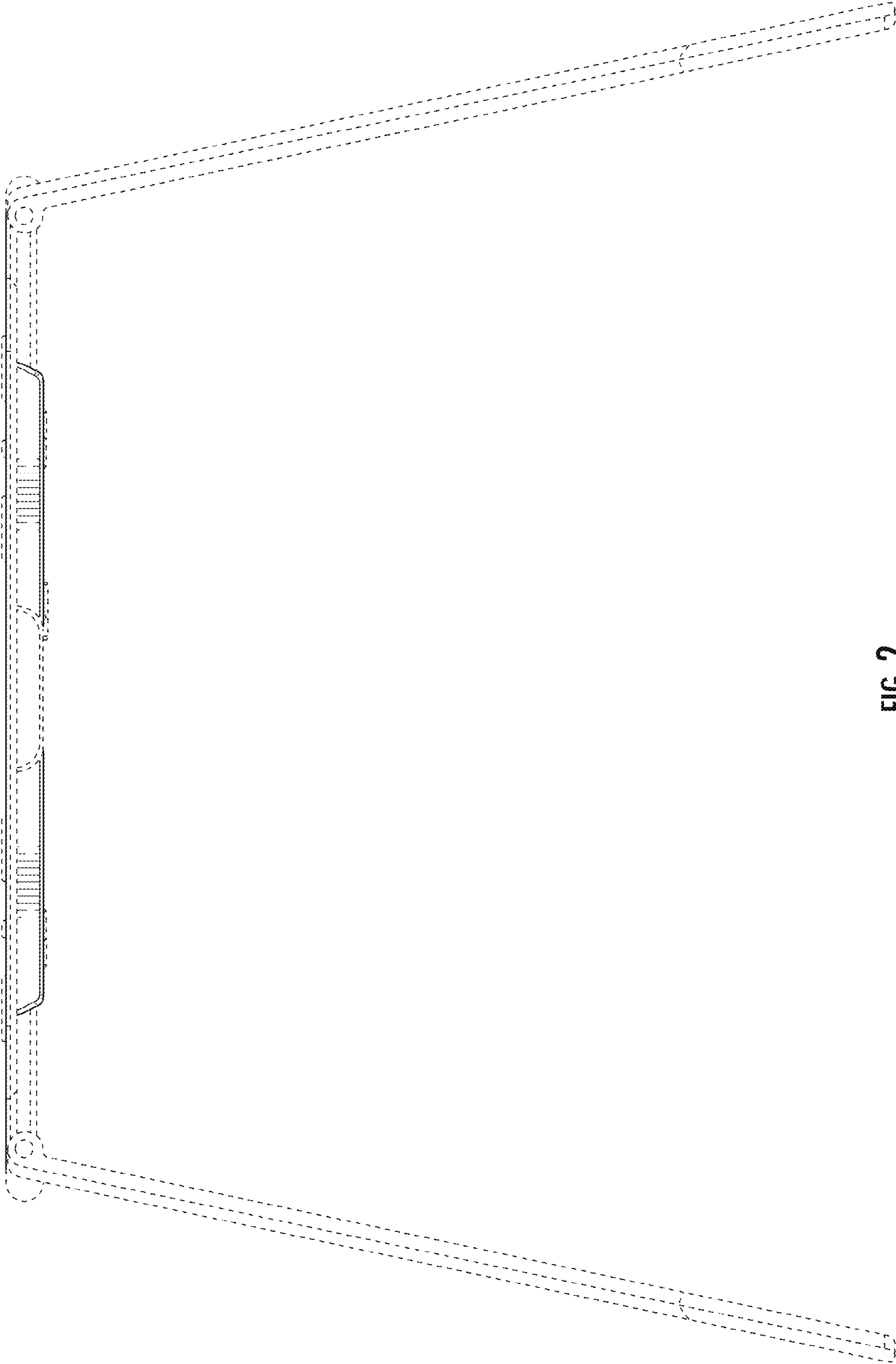


FIG. 2

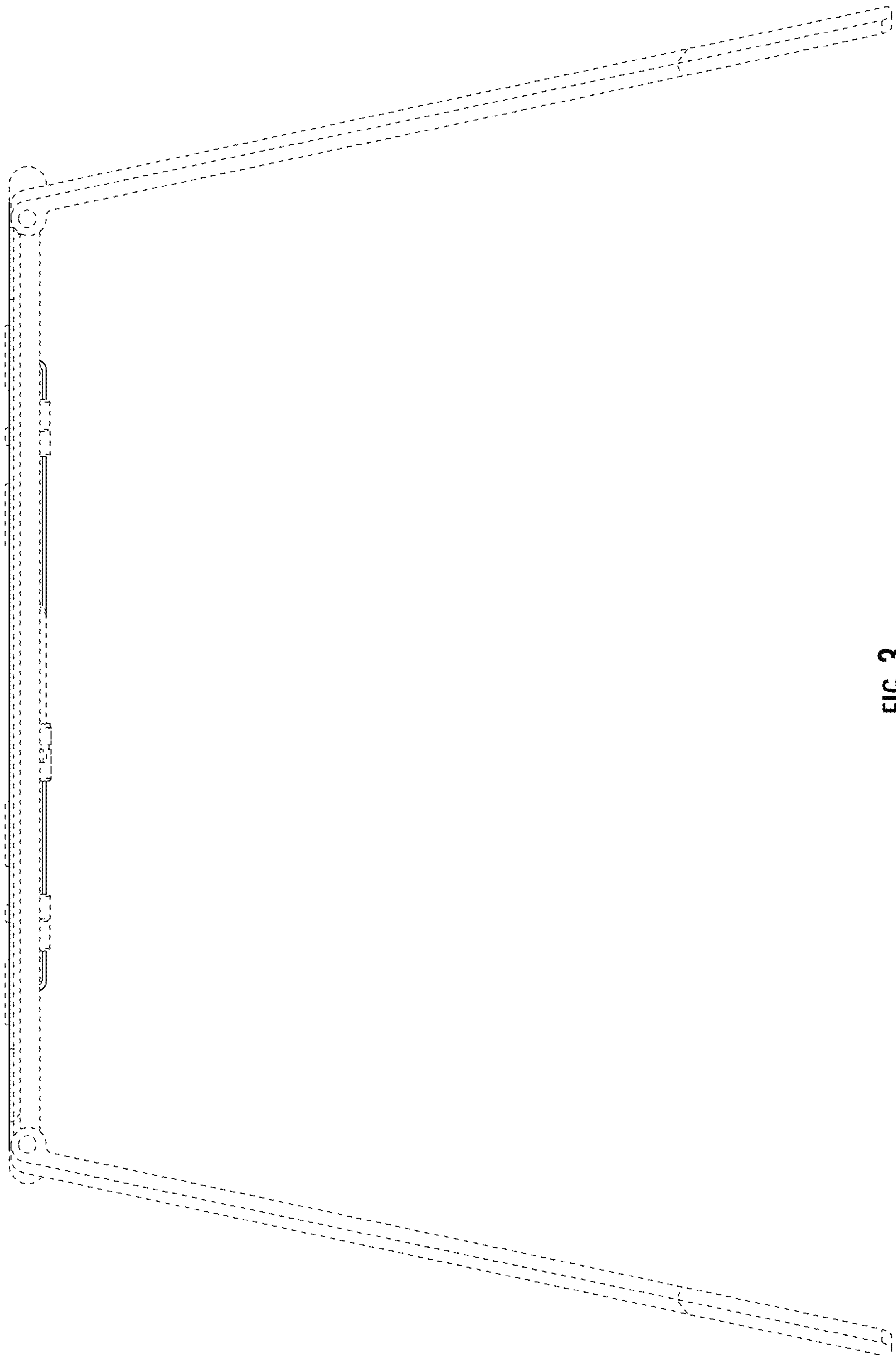


FIG. 3

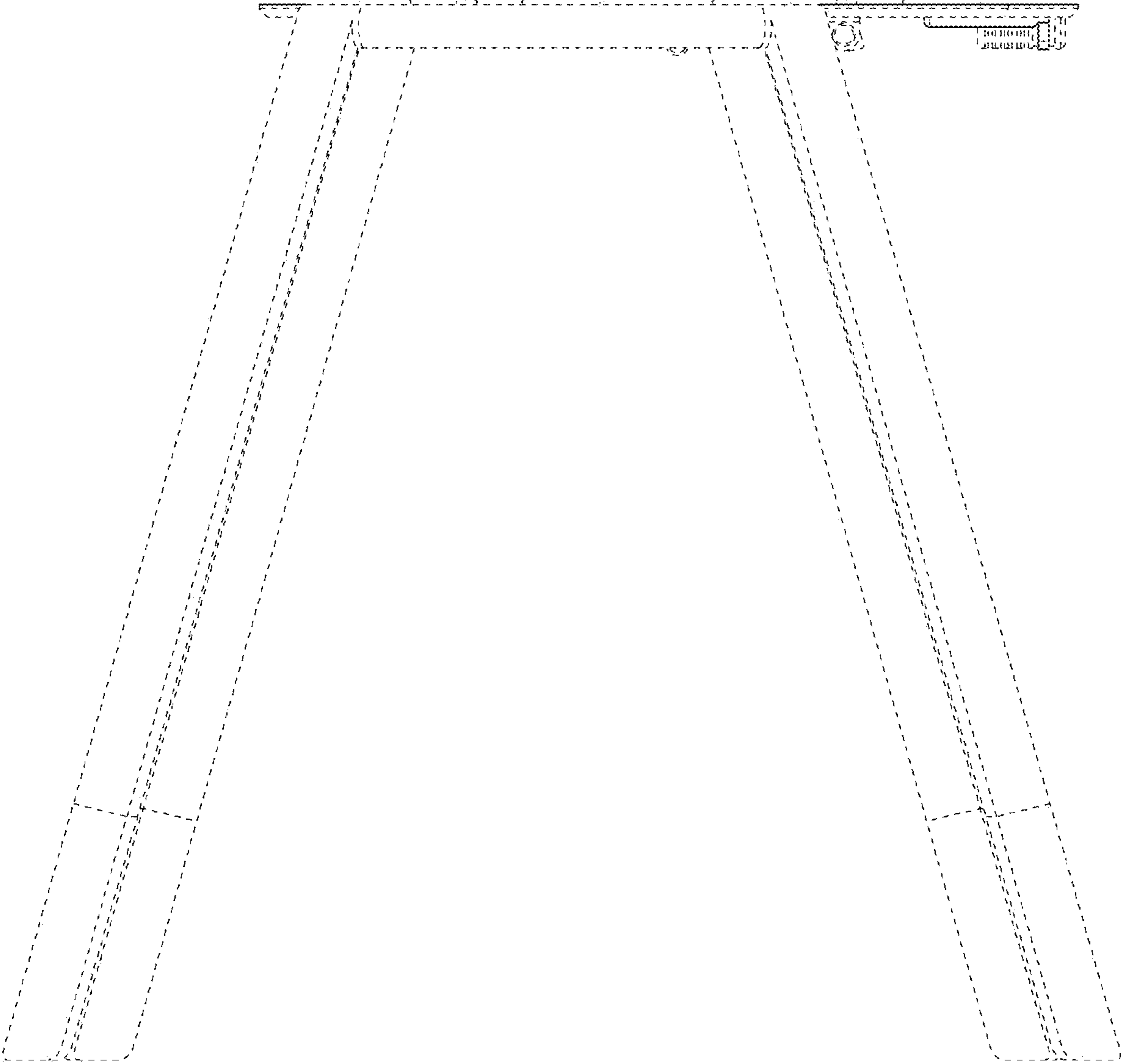


FIG. 4

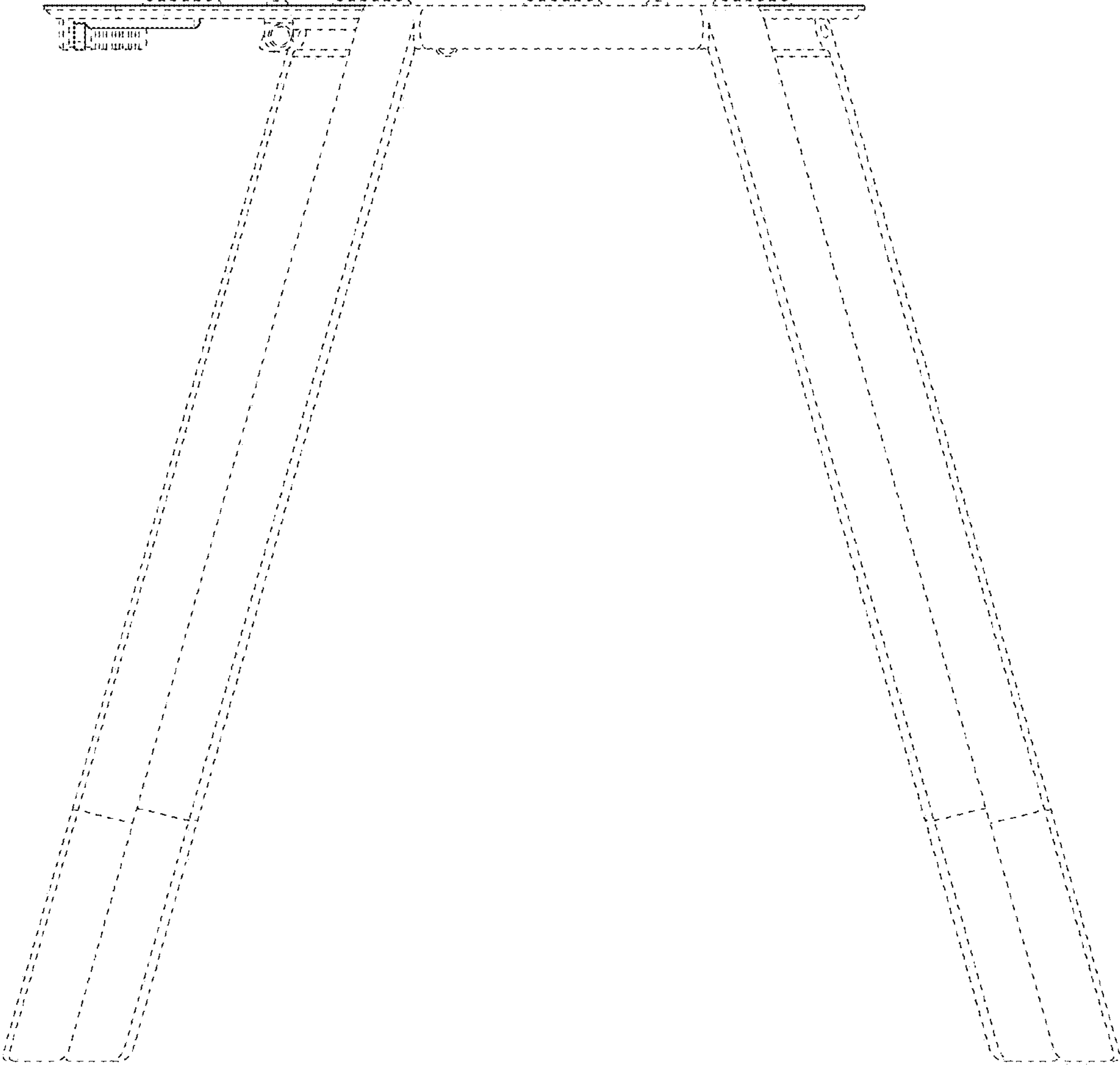


FIG. 5

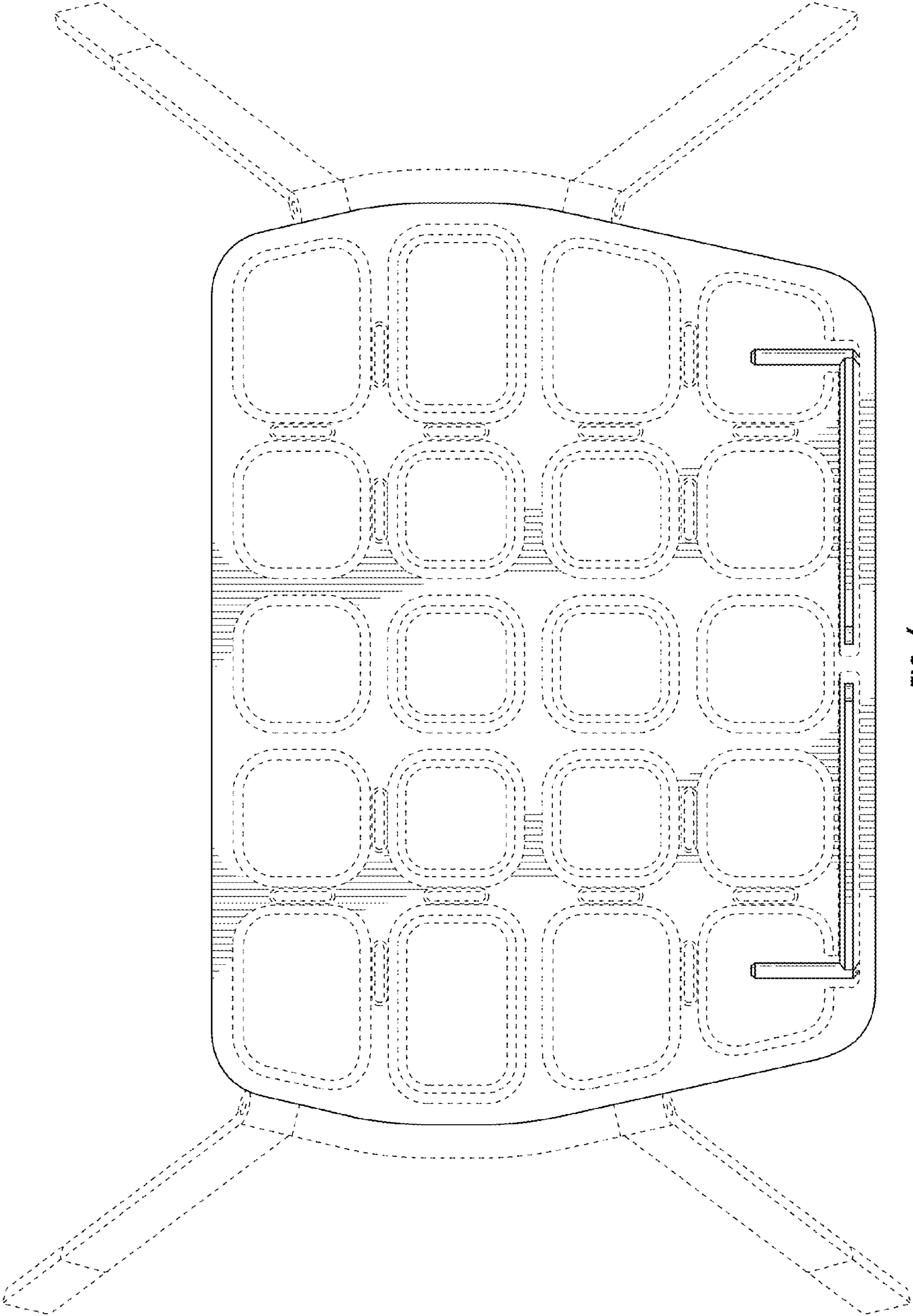


FIG. 6

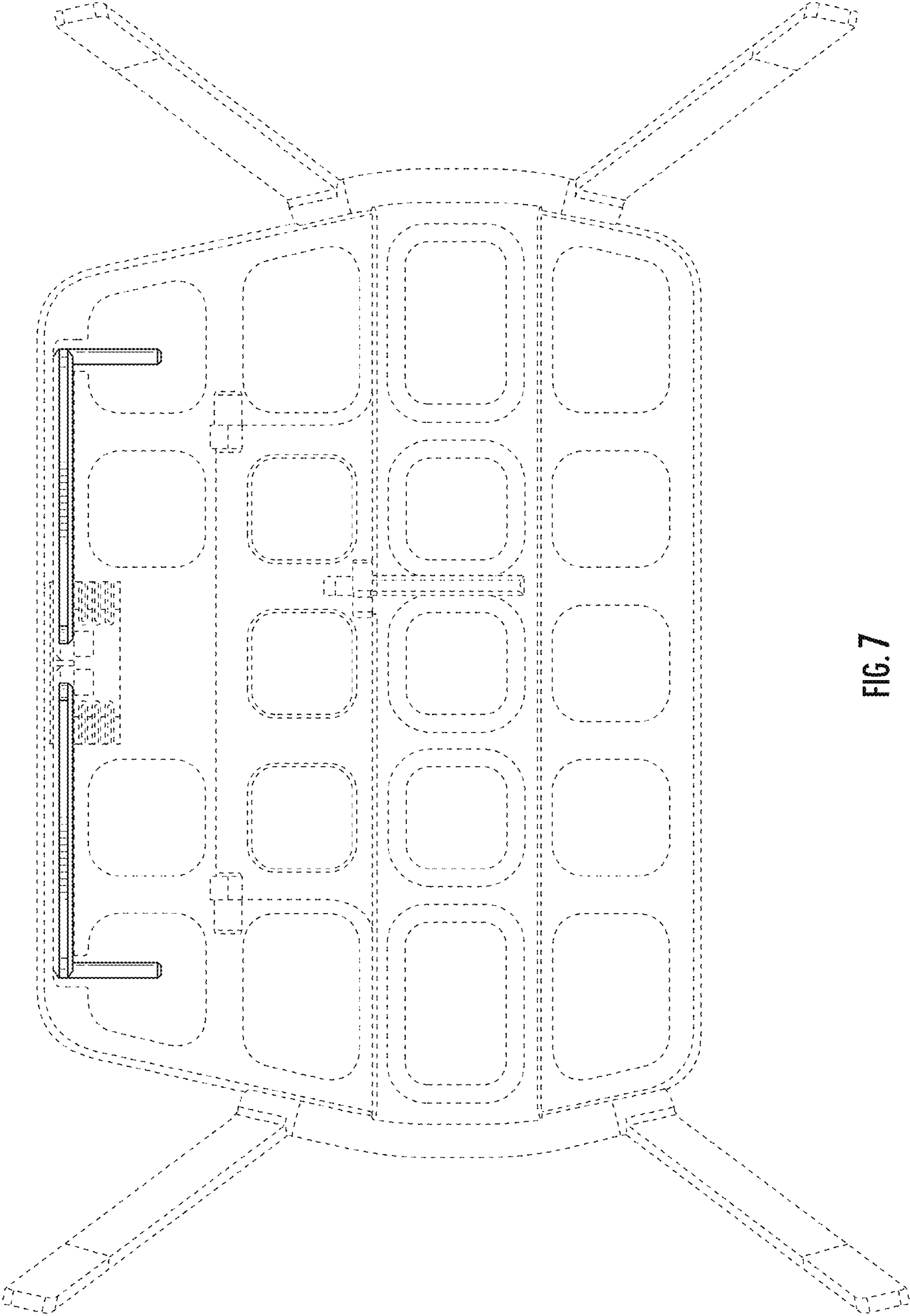


FIG. 7

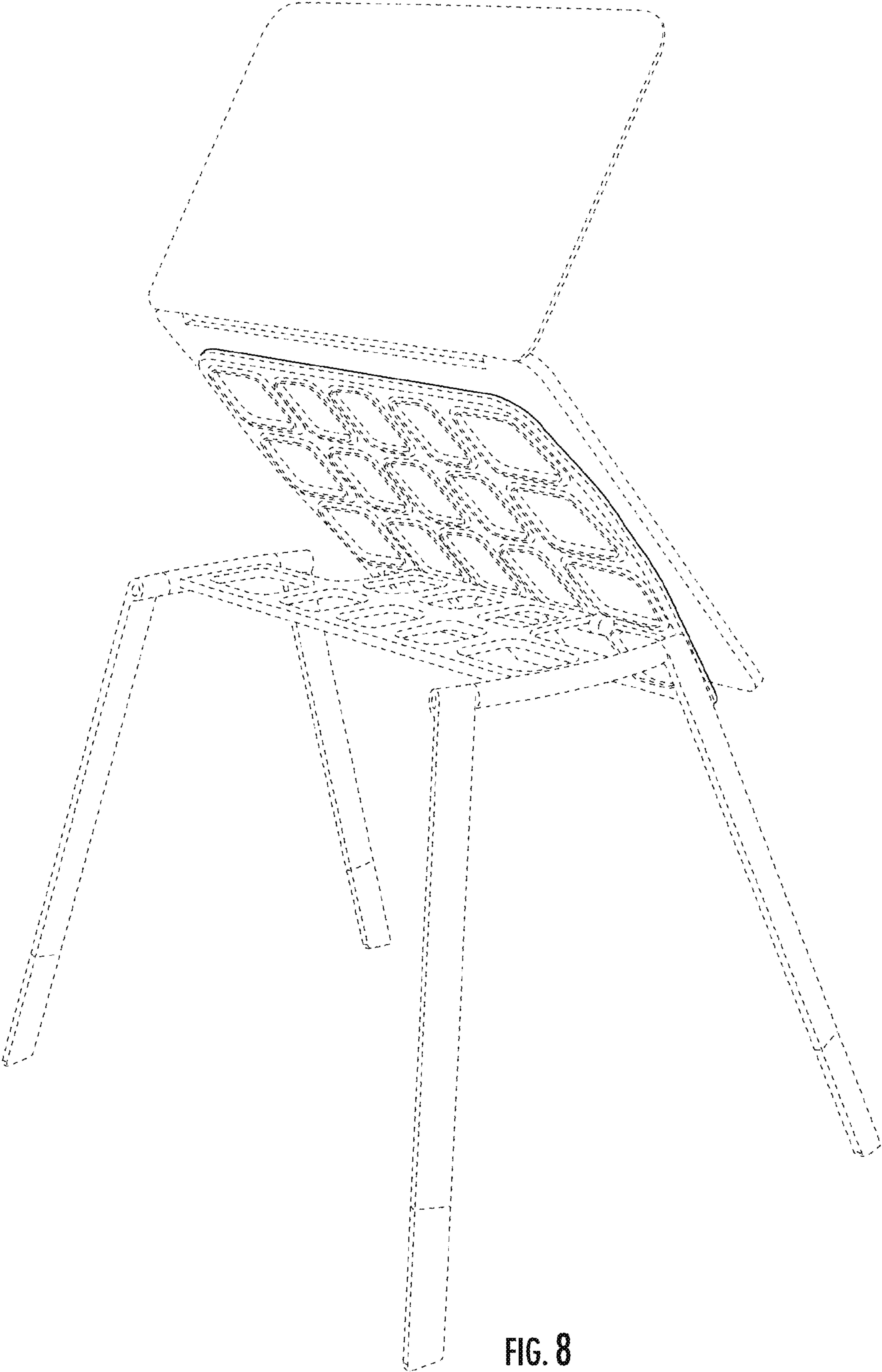


FIG. 8