



US00D891834S

(12) **United States Design Patent** (10) **Patent No.:** **US D891,834 S**  
**Lind et al.** (45) **Date of Patent:** **\*\* Aug. 4, 2020**

(54) **STAND AND COUNTERBALANCED SUPPORT**

(71) Applicant: **BRUNSON INSTRUMENT COMPANY**, Kansas City, MO (US)

(72) Inventors: **James Lind**, Lenexa, KS (US); **Mark Meuret**, Overland Park, KS (US); **Adam Warden**, Lee's Summit, MO (US); **Isaac Gipson**, Lee's Summit, MO (US); **Eli Stack**, Lee's Summit, MO (US); **Deighton Brunson**, Lee's Summit, MO (US); **Aaron Hudlemeyer**, Jemez Springs, NM (US)

(73) Assignee: **Brunson Instrument Company**, Kansas City, MO (US)

(\*\*) Term: **15 Years**

(21) Appl. No.: **29/621,298**

(22) Filed: **Oct. 6, 2017**

(51) **LOC (12) Cl.** ..... **06-06**

(52) **U.S. Cl.**  
USPC ..... **D6/682**

(58) **Field of Classification Search**  
USPC .. D6/672-673, 678, 680, 682, 682.3, 682.4; D17/9, 20  
CPC .. A47F 5/00; A47F 5/04; A47F 7/0021; A47F 7/00  
See application file for complete search history.

(56) **References Cited**

**U.S. PATENT DOCUMENTS**

D280,478 S \* 9/1985 Stephens ..... D6/641  
D301,414 S \* 6/1989 Maltese ..... D6/655.2

D325,440 S \* 4/1992 Landis ..... D24/128  
D337,333 S \* 7/1993 Turk ..... D14/251  
D591,755 S \* 5/2009 Richter ..... D14/253  
D608,496 S \* 1/2010 Hodgson ..... D26/138  
D626,541 S \* 11/2010 Kim ..... D14/253  
D712,042 S \* 8/2014 Chung ..... D24/185  
D781,372 S \* 3/2017 Floersch ..... D14/447  
D796,436 S \* 9/2017 Rivera ..... D13/108  
D803,840 S \* 11/2017 Burmester ..... D14/447  
D831,667 S \* 10/2018 Burmester ..... D14/447  
D832,273 S \* 10/2018 Burmester ..... D14/447  
D838,760 S \* 1/2019 Ahman ..... D16/203  
2007/0012825 A1 \* 1/2007 Yeh ..... F16M 11/105 248/122.1

\* cited by examiner

*Primary Examiner* — Kelley A Donnelly

(74) *Attorney, Agent, or Firm* — Kutak Rock LLP

(57) **CLAIM**

The ornamental design for a stand and counterbalanced support, as shown and described.

**DESCRIPTION**

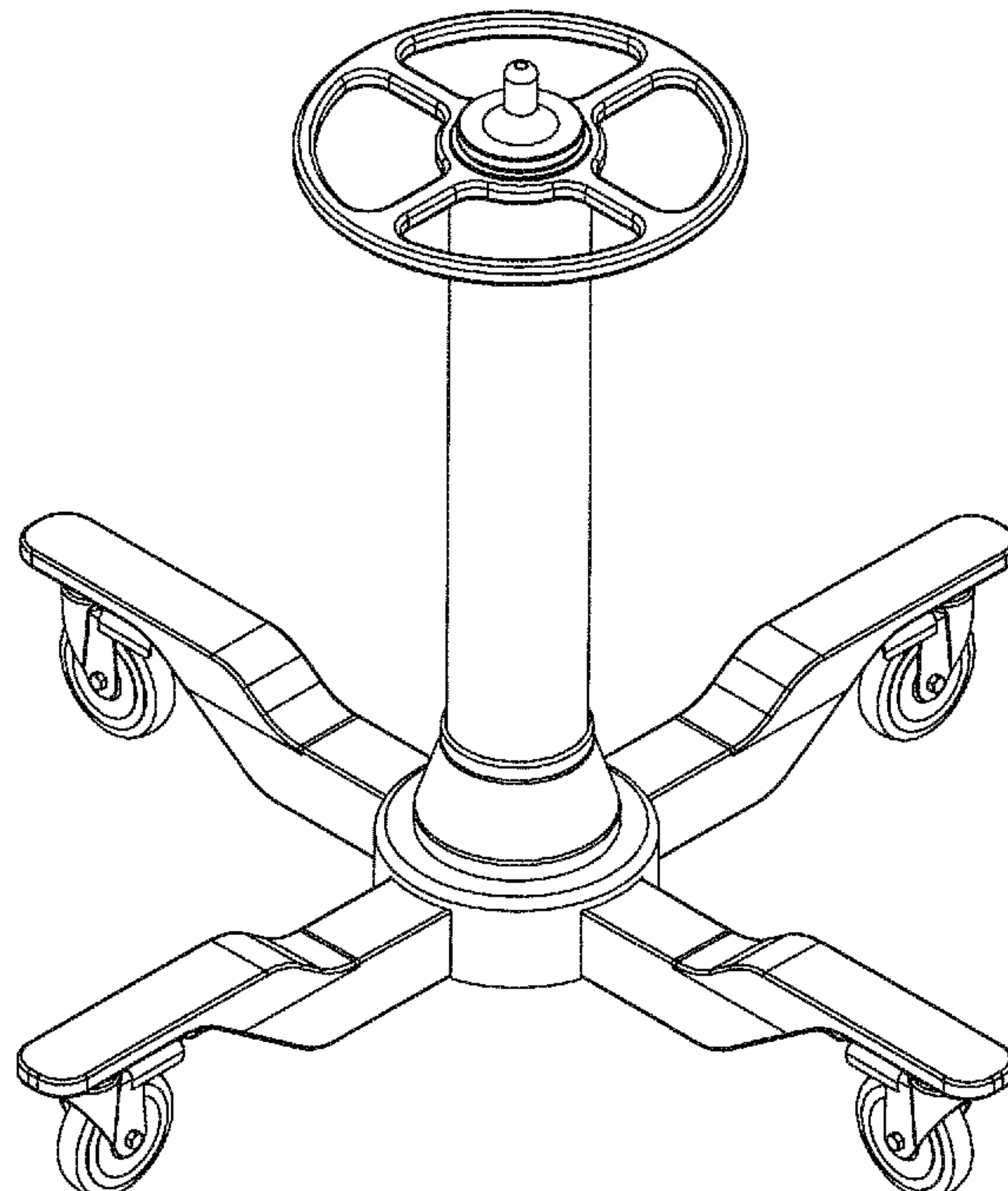
FIG. 1 is a frontal perspective view of an embodiment of a stand for a counterbalanced support of the instant inventive concept.

FIG. 2 is a front elevation view of the stand of FIG. 1, the side views and opposing rear view being mirror images thereof.

FIG. 3 is a top plan view of the stand of FIG. 1.

FIG. 4 is a bottom plan view of the stand of FIG. 1; and, FIG. 5 is a frontal perspective exploded view of the stand of FIG. 1.

**1 Claim, 3 Drawing Sheets**



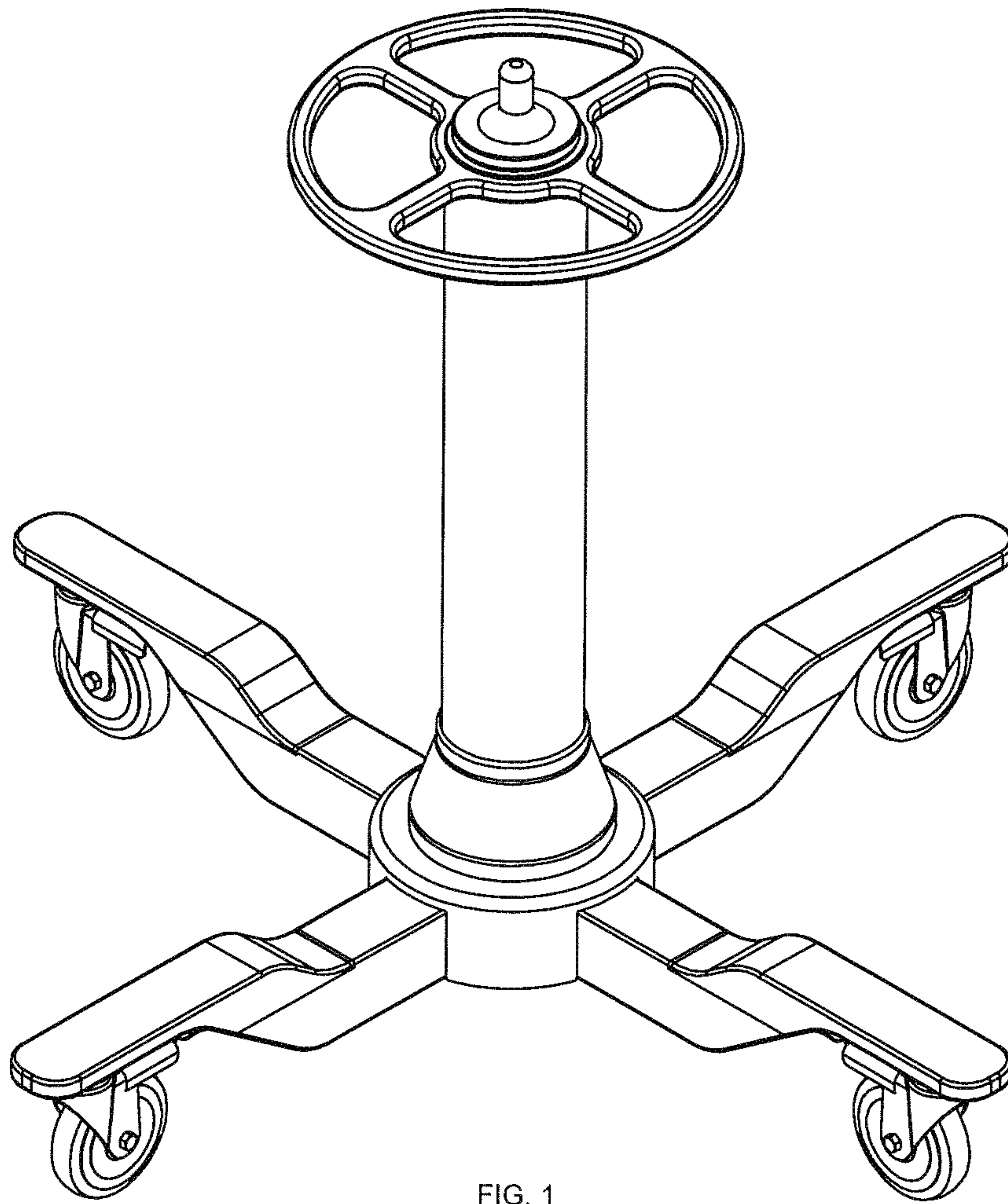


FIG. 1

FIG. 3

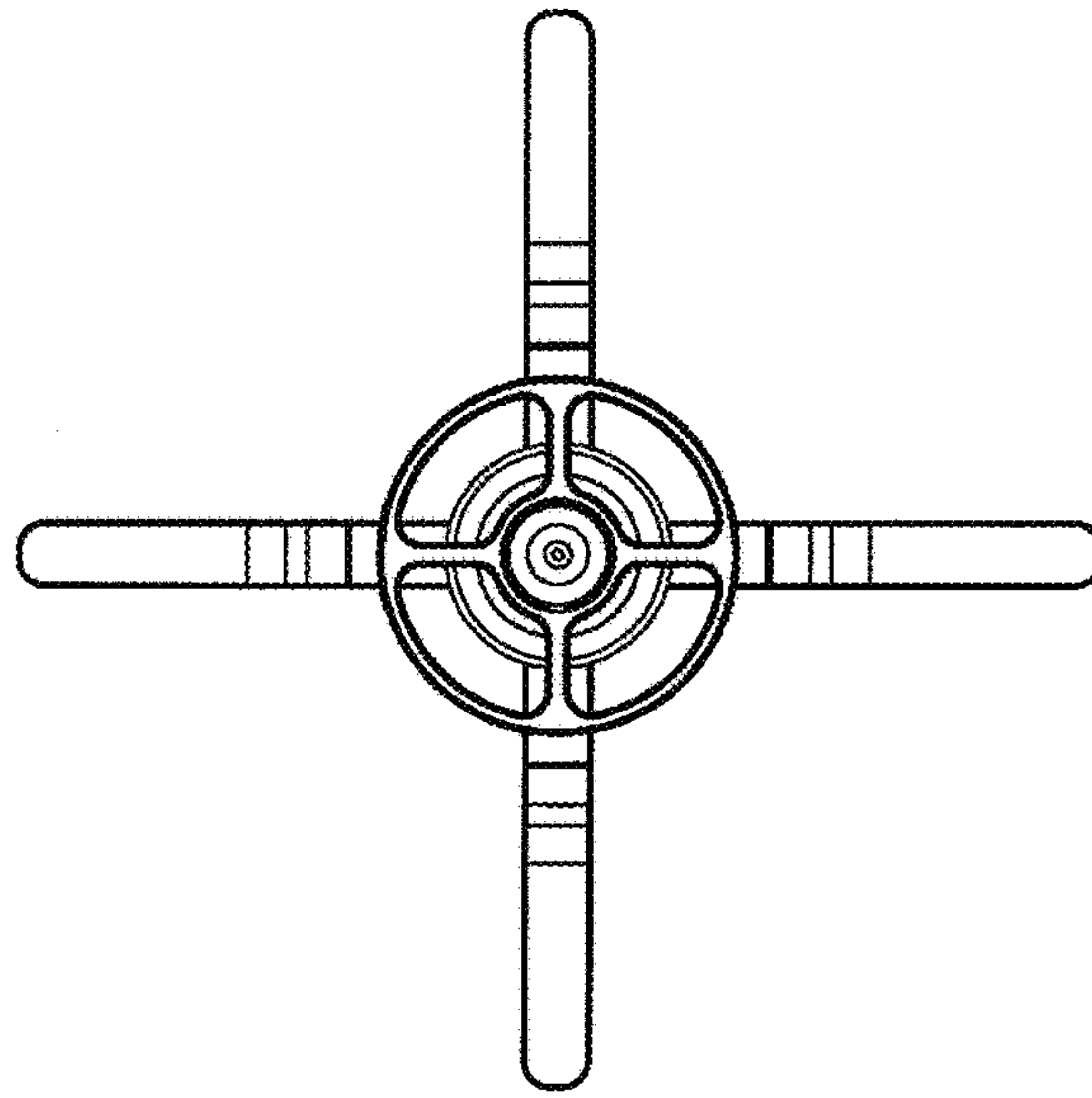


FIG. 2

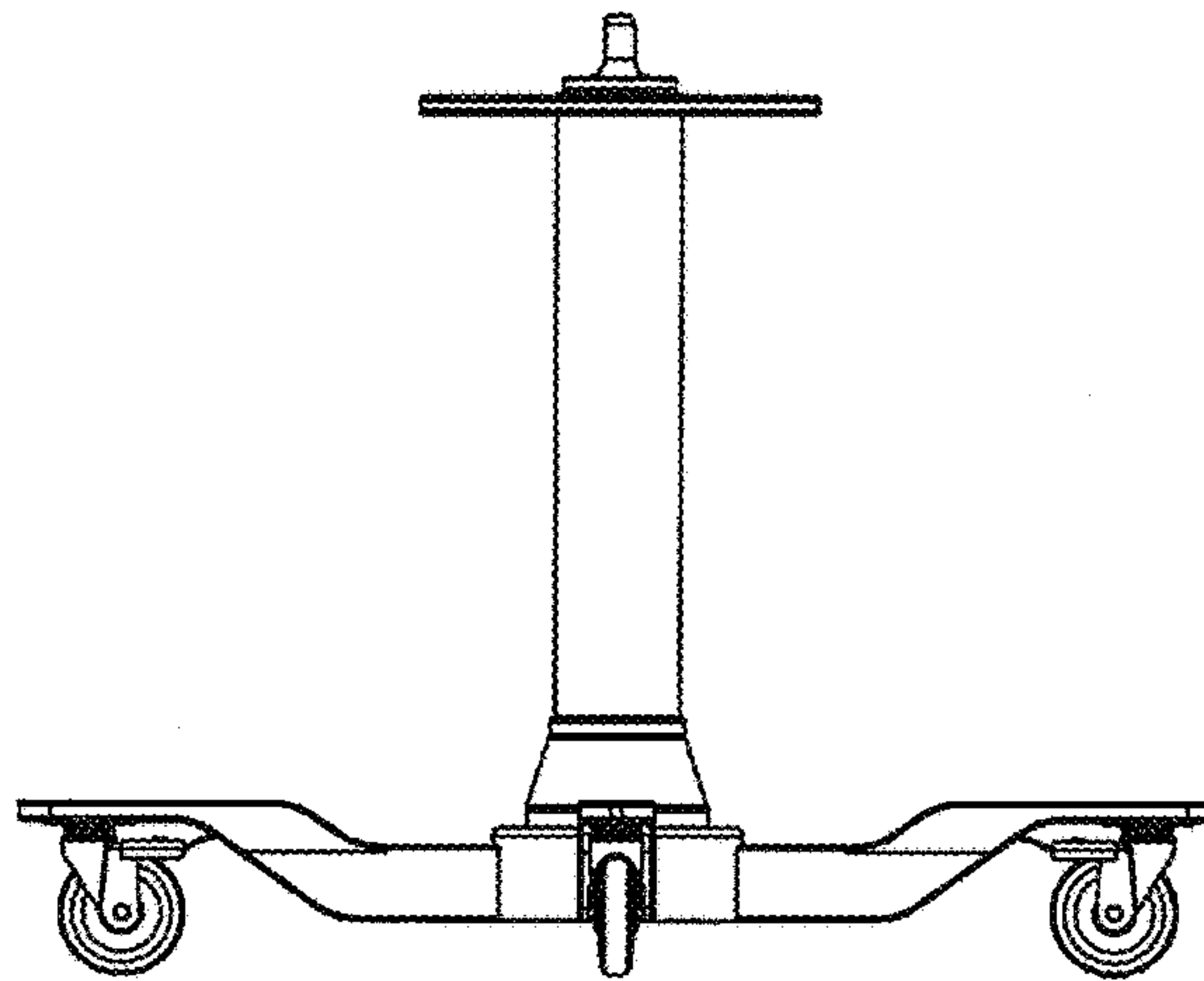
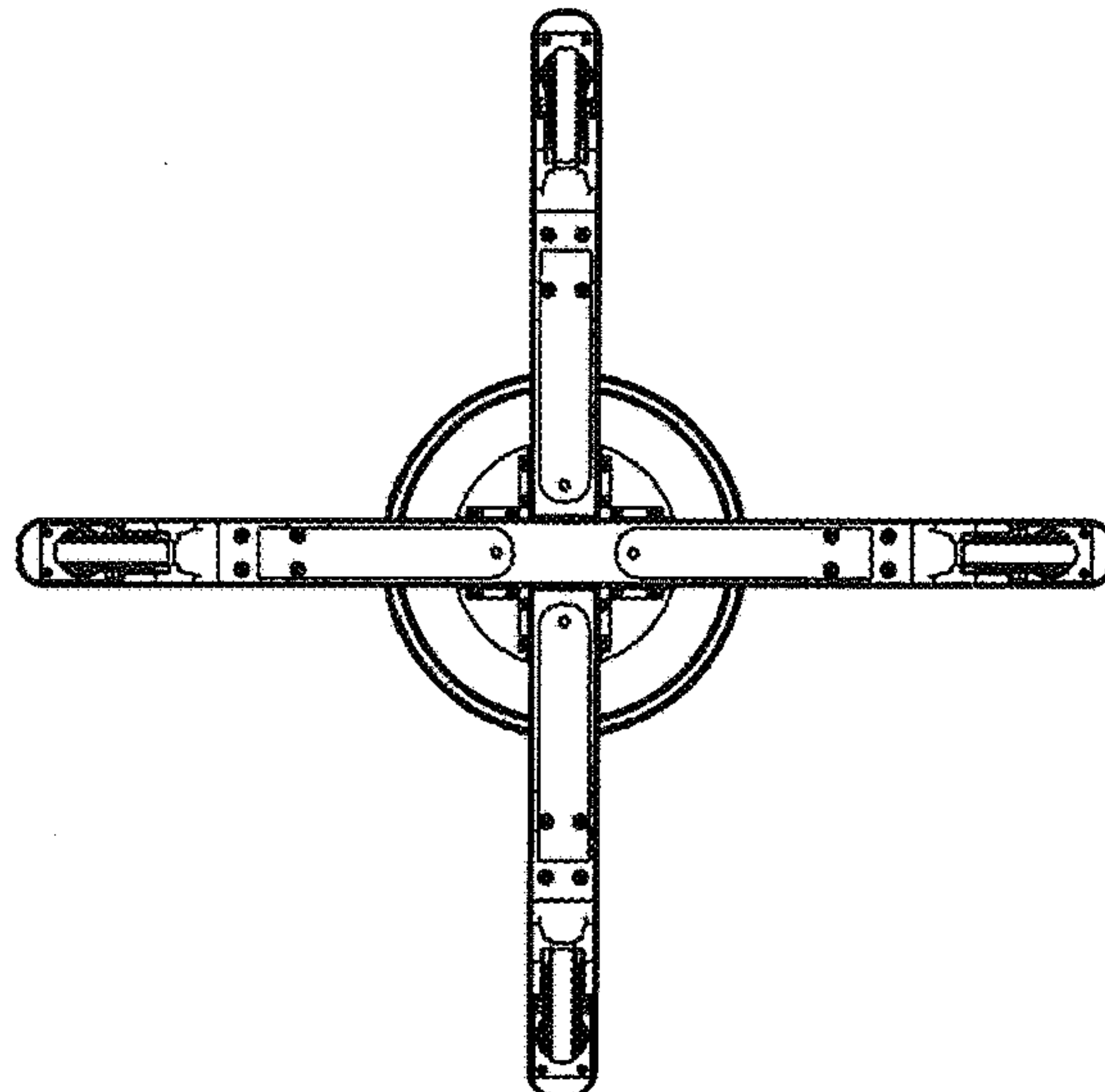


FIG. 4



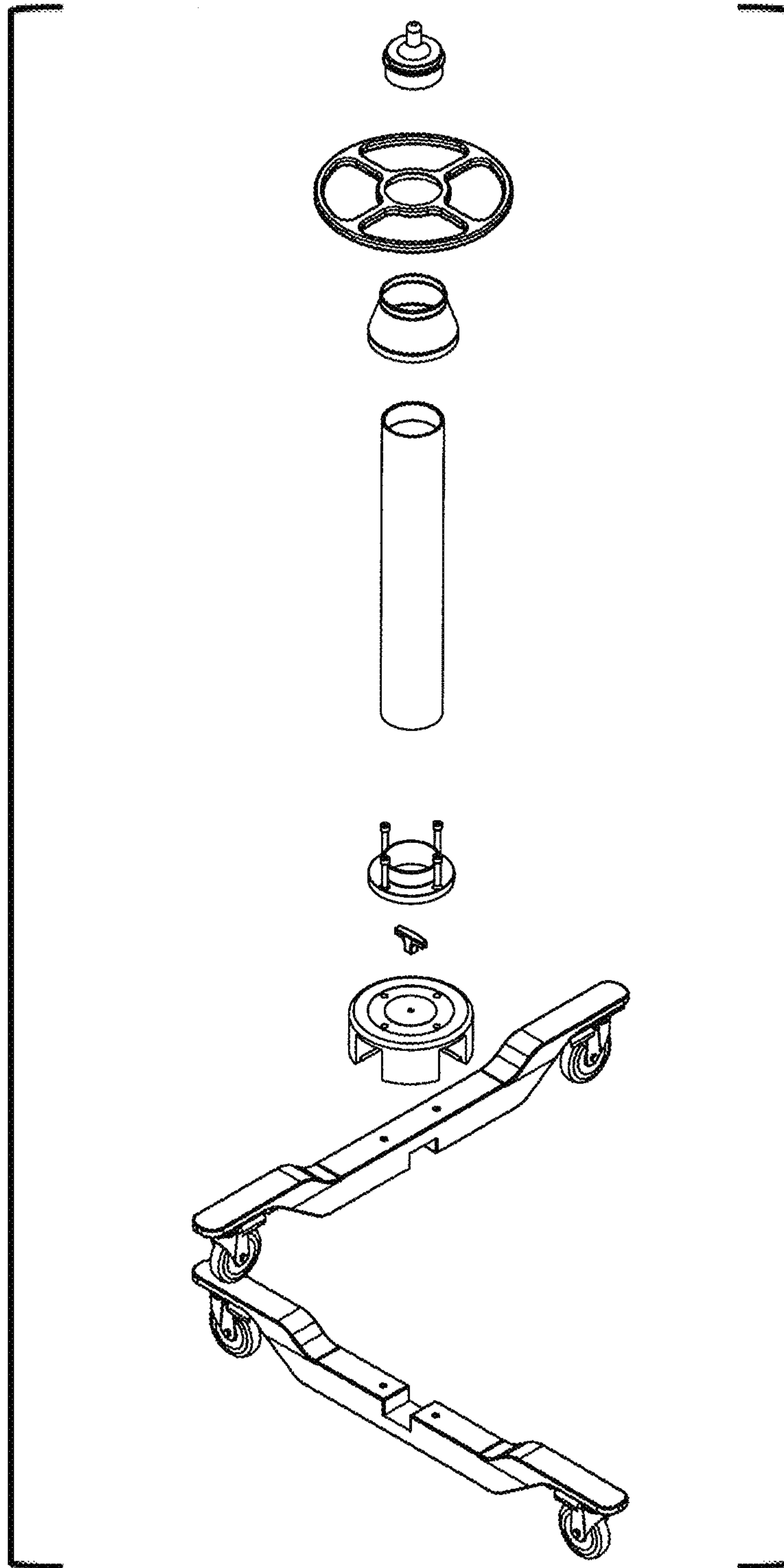


Fig. 5