



US00D891832S

(12) **United States Design Patent** (10) **Patent No.:** **US D891,832 S**
Min (45) **Date of Patent:** **** Aug. 4, 2020**

- (54) **LID ORGANIZER**
- (71) Applicant: **Bo Hyun Min**, La Mirada, CA (US)
- (72) Inventor: **Bo Hyun Min**, La Mirada, CA (US)
- (**) Term: **15 Years**
- (21) Appl. No.: **29/685,128**
- (22) Filed: **Mar. 26, 2019**

D555,203 S *	11/2007	Goodman	D19/90
D567,540 S *	4/2008	Klein	D6/678.4
D588,415 S *	3/2009	Ward, Jr.	D7/601
D729,021 S *	5/2015	Goodman	D7/704
D752,395 S *	3/2016	Chen	D6/675.2
D798,637 S *	10/2017	Min	D6/678.4
D826,660 S *	8/2018	Klein	D7/704
D835,439 S *	12/2018	Tsai	D6/678.4
D836,400 S *	12/2018	Goodman	D7/601
D846,319 S *	4/2019	Min	D6/675.2
D873,057 S *	1/2020	Tuang	D6/678.4

* cited by examiner

Related U.S. Application Data

- (63) Continuation-in-part of application No. 29/612,431, filed on Aug. 1, 2017, now Pat. No. Des. 846,319.
- (51) **LOC (12) Cl.** **06-06**
- (52) **U.S. Cl.**
USPC **D6/675.2**
- (58) **Field of Classification Search**
USPC D6/672, 673, 675, 678, 678.1, 678.4,
D6/680.2, 680.3, 681.1, 681.2, 682,
D6/682.3, 682.4
CPC A47B 55/02; A47B 61/04; A47G 19/08;
A47G 25/005; A47G 29/08; A47F 7/08
See application file for complete search history.

Primary Examiner — Kelley A Donnelly
(74) *Attorney, Agent, or Firm* — Christopher Pilling

(57) **CLAIM**

The ornamental design for a lid organizer, substantially as shown and described.

DESCRIPTION

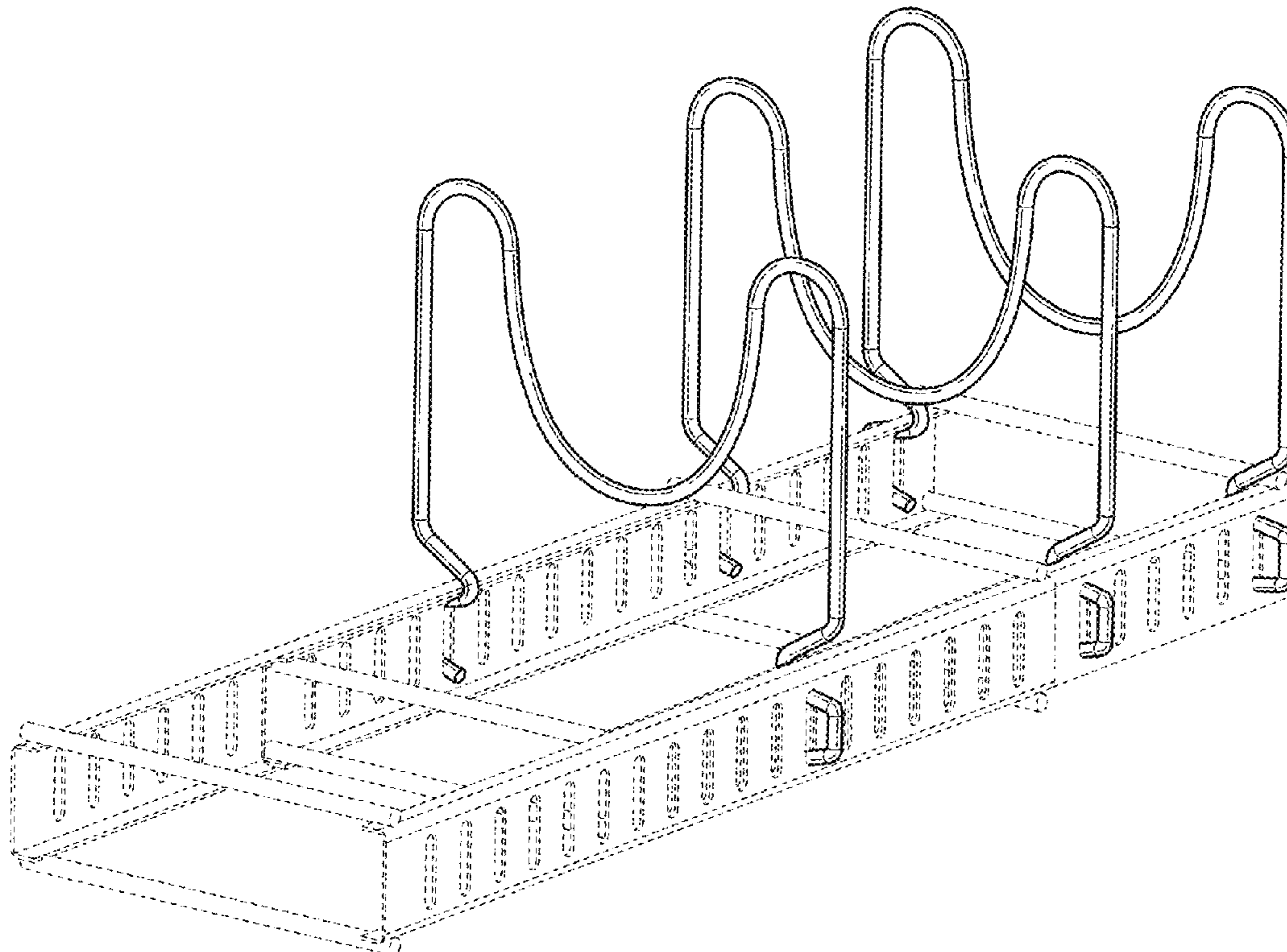
FIG. 1 is a perspective view of a lid organizer showing my new design;
 FIG. 2 is a right side view, the left side view being a mirror image thereof;
 FIG. 3 is a top view thereof;
 FIG. 4 is a front view thereof, the rear view being identical; and,
 FIG. 5 is a front view of a single divider removed from the lid organizer.
 The bottom view is not visible during use.
 The broken lines show unclaimed subject matter only and form no part of the claimed design.

(56) **References Cited**

U.S. PATENT DOCUMENTS

D282,797 S *	3/1986	Dixon	D6/675.2
4,592,471 A *	6/1986	Bross	A47J 47/16 108/61
D330,471 S *	10/1992	Rogers	D15/199

1 Claim, 5 Drawing Sheets



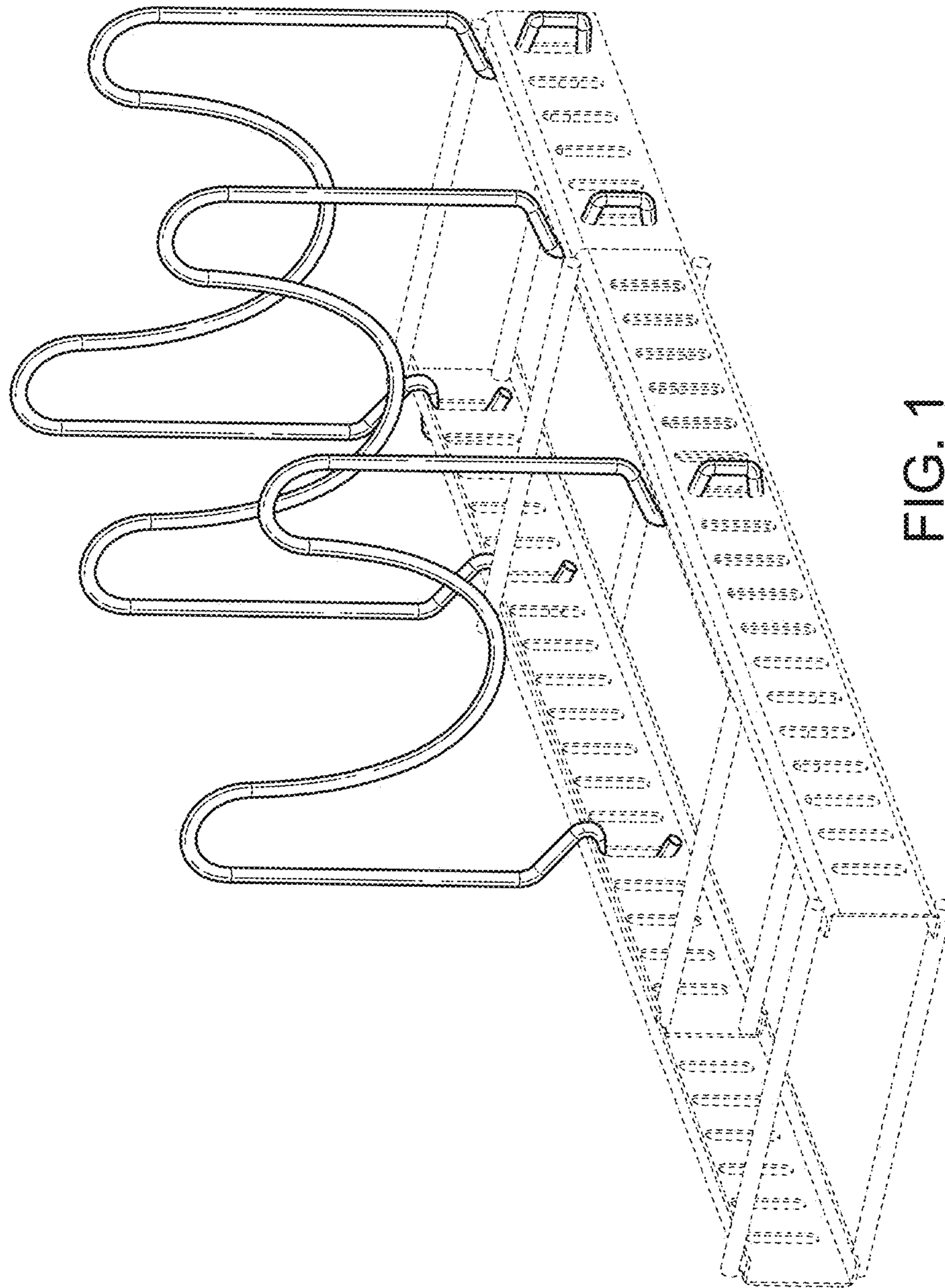


FIG. 1

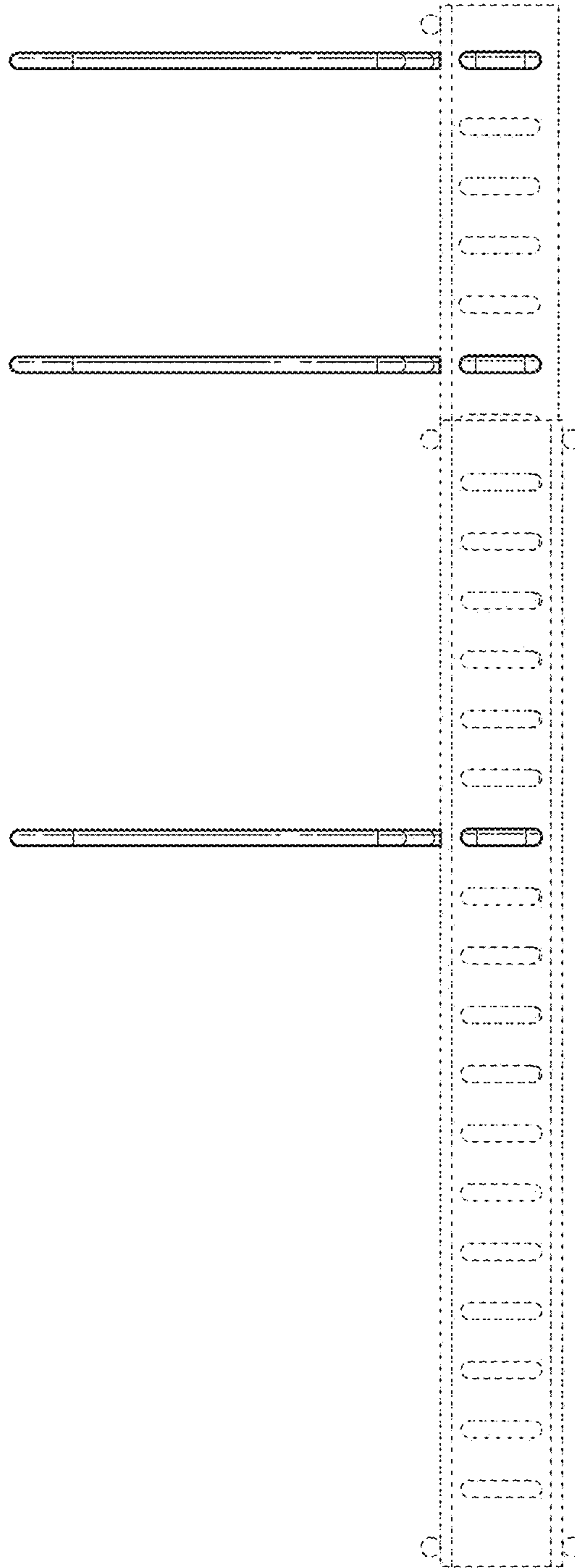


FIG. 2

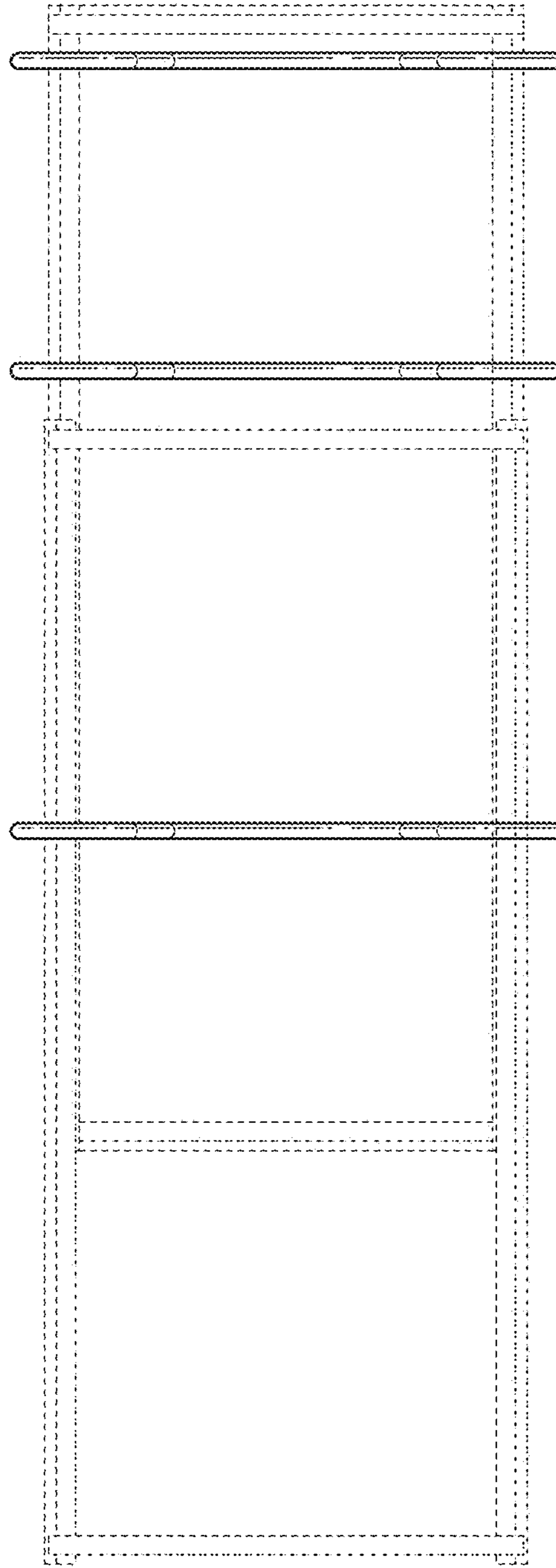


FIG. 3

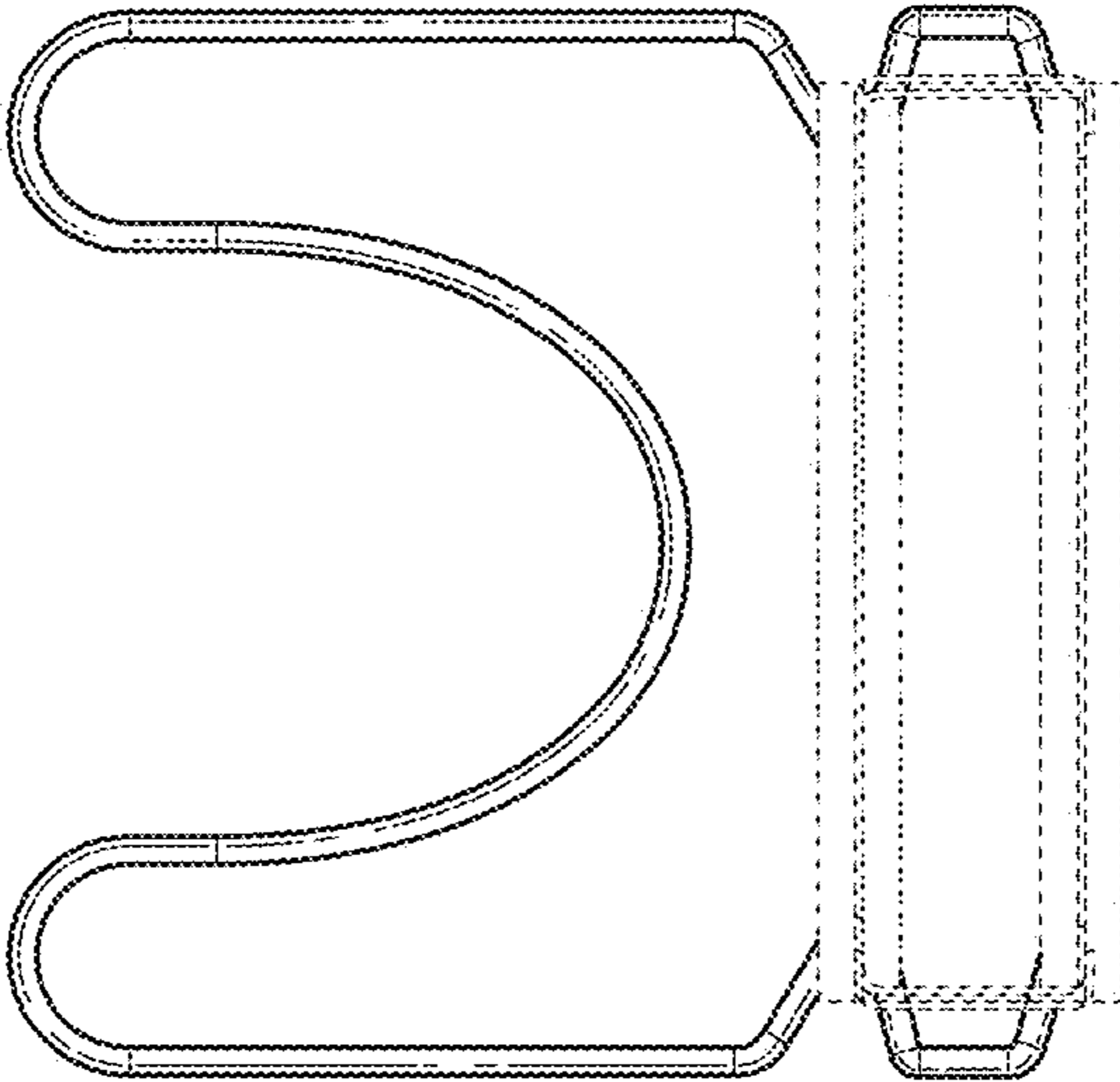


FIG. 4

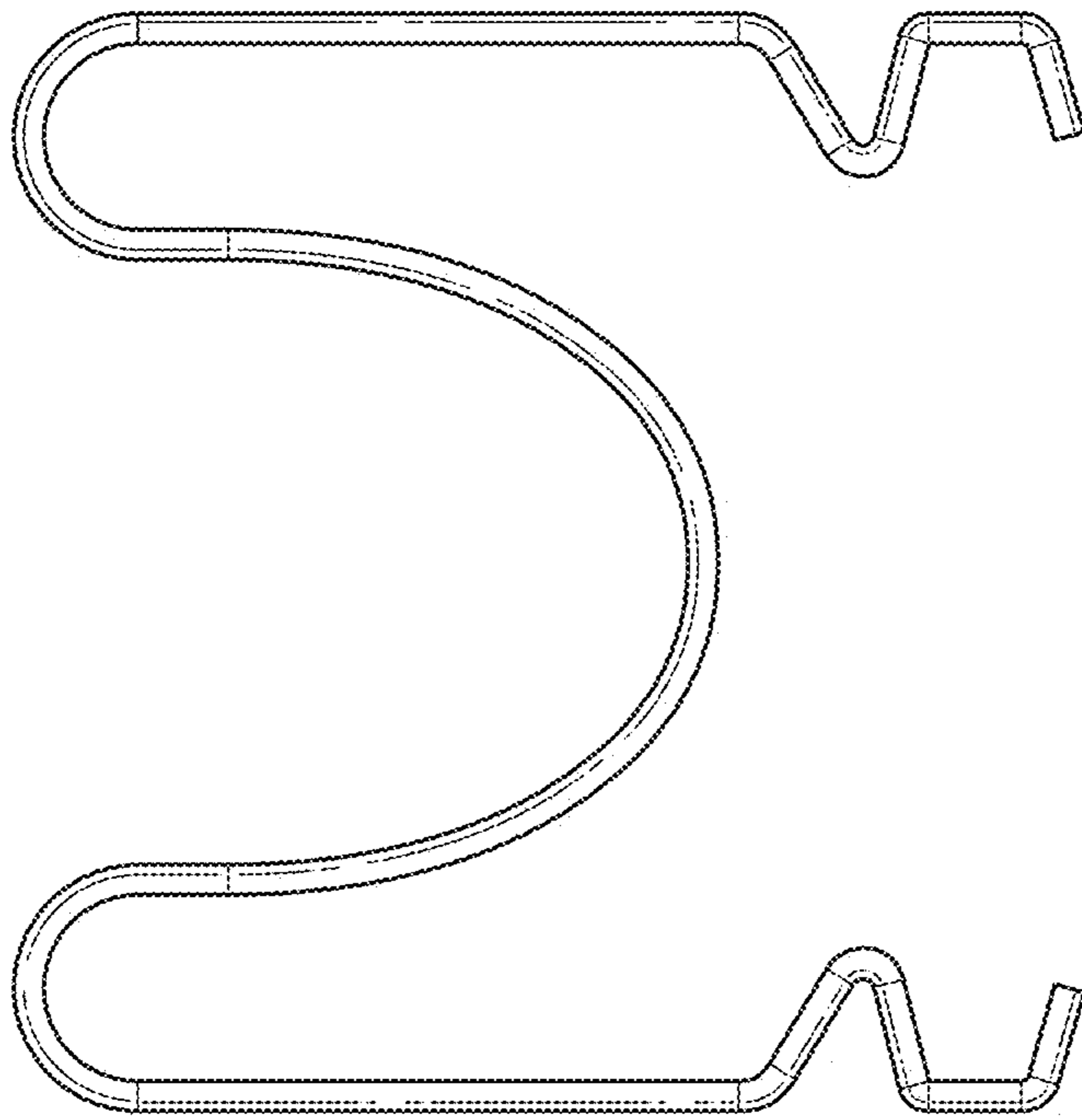


FIG. 5