

US00D891827S

(12) **United States Design Patent**
Haller

(10) **Patent No.:** **US D891,827 S**

(45) **Date of Patent:** **** Aug. 4, 2020**

(54) **DISPLAY STAND**

(71) Applicant: **ELO TOUCH SOLUTIONS, INC.**,
Milpitas, CA (US)

(72) Inventor: **Jeffrey T. Haller**, Redwood City, CA
(US)

(73) Assignee: **Elo Touch Solutions, Inc.**, Milpitas,
CA (US)

(**) Term: **15 Years**

(21) Appl. No.: **29/711,858**

(22) Filed: **Nov. 4, 2019**

| | | | | |
|----------------|---------|-----------|-------|-------------|
| D368,184 S * | 3/1996 | Eley | | D6/406.4 |
| D400,735 S * | 11/1998 | House | | D14/448 |
| 5,868,079 A * | 2/1999 | Charny | | A47B 21/00 |
| | | | | 108/7 |
| D409,018 S * | 5/1999 | Deuschle | | D14/217 |
| D430,166 S * | 8/2000 | Takagi | | D14/452 |
| 6,179,253 B1 * | 1/2001 | Cotton | | B60K 35/00 |
| | | | | 248/27.1 |
| D454,136 S * | 3/2002 | Deuschle | | D14/447 |
| D462,359 S * | 9/2002 | Scharer | | D14/451 |
| D467,561 S * | 12/2002 | Kosciolek | | D14/129 |
| D478,088 S * | 8/2003 | Hamouz | | D14/451 |
| D487,270 S * | 3/2004 | Richter | | D14/447 |
| D535,615 S * | 1/2007 | Iwai | | D13/108 |
| D547,755 S * | 7/2007 | Wang | | D14/239 |
| D551,663 S * | 9/2007 | Kita | | D14/239 |
| 7,274,555 B2 * | 9/2007 | Kim | | F16M 11/046 |
| | | | | 248/125.1 |
| D562,588 S * | 2/2008 | Bays | | D6/672 |

(Continued)

Related U.S. Application Data

(63) Continuation of application No. 29/607,242, filed on
Jun. 12, 2017, now Pat. No. Des. 865,771.

(51) **LOC (12) Cl.** **20-02**

(52) **U.S. Cl.**
USPC **D6/672**

(58) **Field of Classification Search**
USPC D6/672, 673, 675, 681, 682, 700;
D14/451, 448, 251, 217, 432
CPC F16M 11/00; F16M 11/04; F16M 13/00;
G06F 1/1637; G06F 1/1692; A61B
1/00045; H04N 5/64; H04N 5/645; Y10S
248/917

See application file for complete search history.

(56) **References Cited**

U.S. PATENT DOCUMENTS

| | | | | |
|---------------|---------|------------|-------|------------|
| D261,082 S * | 10/1981 | Lordahl | | D6/567 |
| D277,662 S * | 2/1985 | Huntington | | D13/107 |
| D283,954 S * | 5/1986 | Daws | | D6/310 |
| 5,317,691 A * | 5/1994 | Traeger | | B60R 11/02 |
| | | | | 709/250 |
| D358,951 S * | 6/1995 | Raynor | | D14/251 |

Primary Examiner — Steven J Czyn

(74) *Attorney, Agent, or Firm* — Sterne, Kessler,
Goldstein & Fox P.L.L.C.

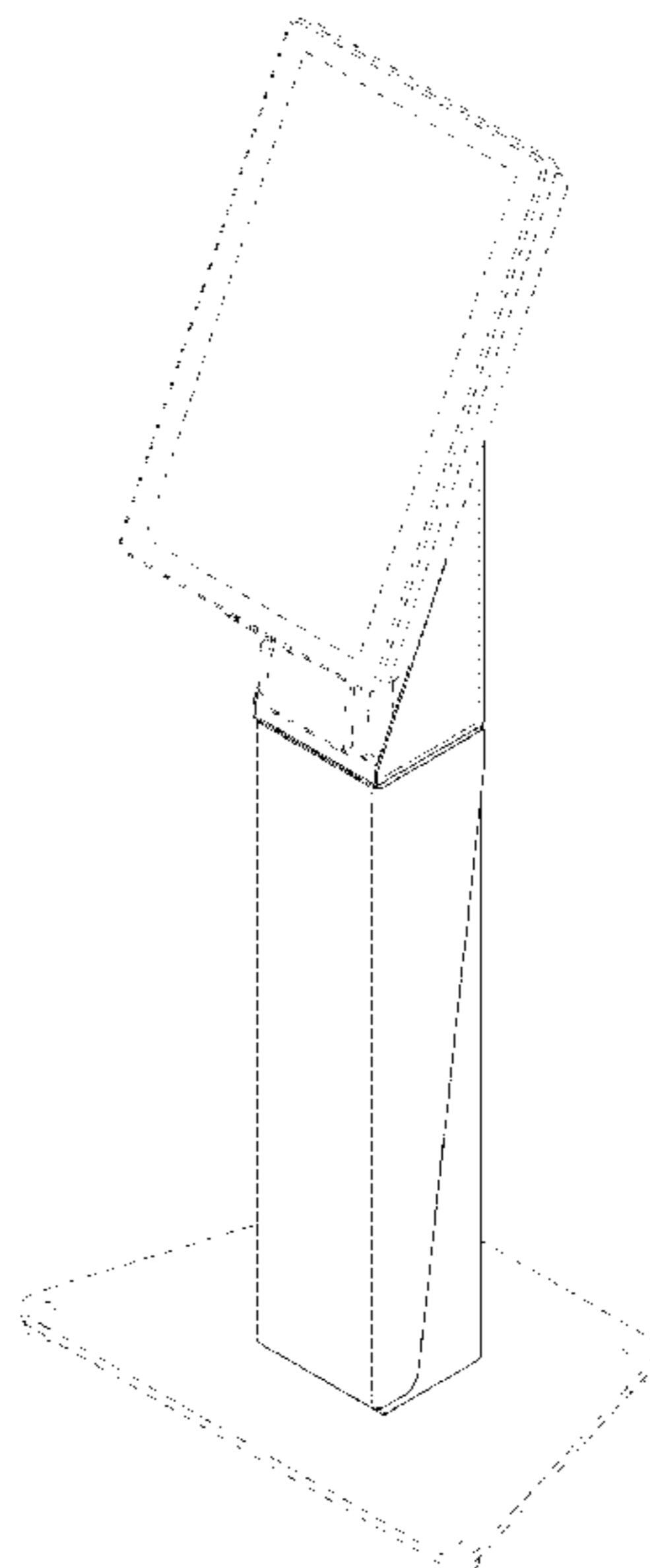
(57) **CLAIM**

The ornamental design for a display stand, as shown and
described.

DESCRIPTION

FIG. 1 is a top front perspective view of a display stand
showing the claimed design;
FIG. 2 is a top rear perspective view thereof;
FIG. 3 is a front view thereof;
FIG. 4 is a rear view thereof;
FIG. 5 is a left side view thereof;
FIG. 6 is a right side view thereof;
FIG. 7 is a top view thereof; and,
FIG. 8 is a bottom view thereof.
The broken lines depict portions of the article that form no
part of the claimed design.

1 Claim, 7 Drawing Sheets



(56)

References Cited

U.S. PATENT DOCUMENTS

7,392,965 B2 * 7/2008 Jung F16M 11/125
 248/125.2
 D584,075 S * 1/2009 Hung D14/239
 D605,588 S * 12/2009 Nomi D13/108
 D613,684 S * 4/2010 Nishizawa D13/108
 D615,072 S * 5/2010 Saitou D14/239
 D615,514 S * 5/2010 Mellingen D14/126
 D631,481 S * 1/2011 Floersch D14/451
 D645,847 S * 9/2011 Chau D13/108
 D646,904 S * 10/2011 Feldstein D6/310
 D647,898 S * 11/2011 Haller D14/336
 D652,045 S * 1/2012 Hong D14/447
 D655,293 S * 3/2012 Gioscia D14/434
 D663,736 S * 7/2012 Stanek D14/451
 D671,934 S * 12/2012 Alman D14/253
 D680,118 S * 4/2013 Schmelling D14/434
 D683,141 S * 5/2013 Symons D14/447
 D685,806 S * 7/2013 Kim D14/451
 D686,852 S * 7/2013 Lalo D6/675.4
 D688,673 S * 8/2013 Haller D14/451
 D725,182 S * 3/2015 Haller D18/11
 D736,211 S * 8/2015 Kirkpatrick H05K 7/20136
 D14/434
 9,247,861 B2 * 2/2016 Kan H04N 5/655

D755,788 S * 5/2016 Mitchell D14/371
 D760,845 S * 7/2016 Plakas D14/451
 D771,615 S * 11/2016 Pignotti D14/253
 D775,123 S * 12/2016 Guimaraes D14/336
 D778,277 S * 2/2017 Haller D14/336
 D782,226 S * 3/2017 Zheng D6/672
 D782,975 S * 4/2017 Chen D13/108
 D787,522 S * 5/2017 Lee D14/451
 D787,866 S * 5/2017 Baraldi D10/46.1
 D788,778 S * 6/2017 Magi D14/434
 D792,413 S * 7/2017 Floersch D14/447
 D792,414 S * 7/2017 Floersch D14/447
 D798,636 S * 10/2017 Van Ledingham, Jr.
 D6/677.4
 D806,159 S * 12/2017 Haller D18/4.5
 D806,450 S * 1/2018 Seong D6/672
 D810,014 S * 2/2018 Haranaka D13/108
 D811,753 S * 3/2018 Conrad D6/310
 D813,850 S * 3/2018 Young, III D14/224
 D825,575 S * 8/2018 Gao D14/447
 D830,369 S * 10/2018 Grundstrom D14/447
 D837,387 S * 1/2019 Vollum D24/185
 D837,800 S * 1/2019 Haller D14/451
 D842,305 S * 3/2019 Gao D14/447
 D842,862 S * 3/2019 Ellis D14/447
 D865,771 S * 11/2019 Haller D14/451
 D877,743 S * 3/2020 Pei D14/451

* cited by examiner

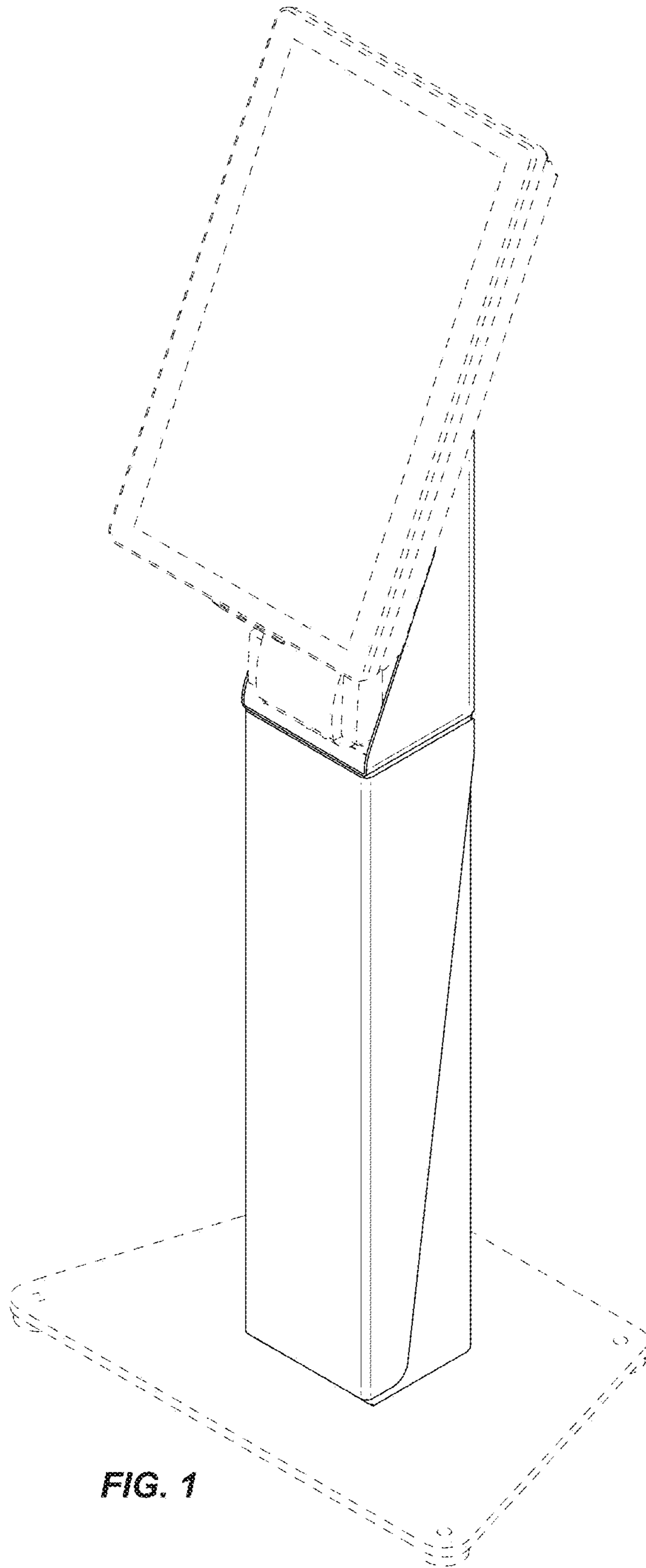


FIG. 1

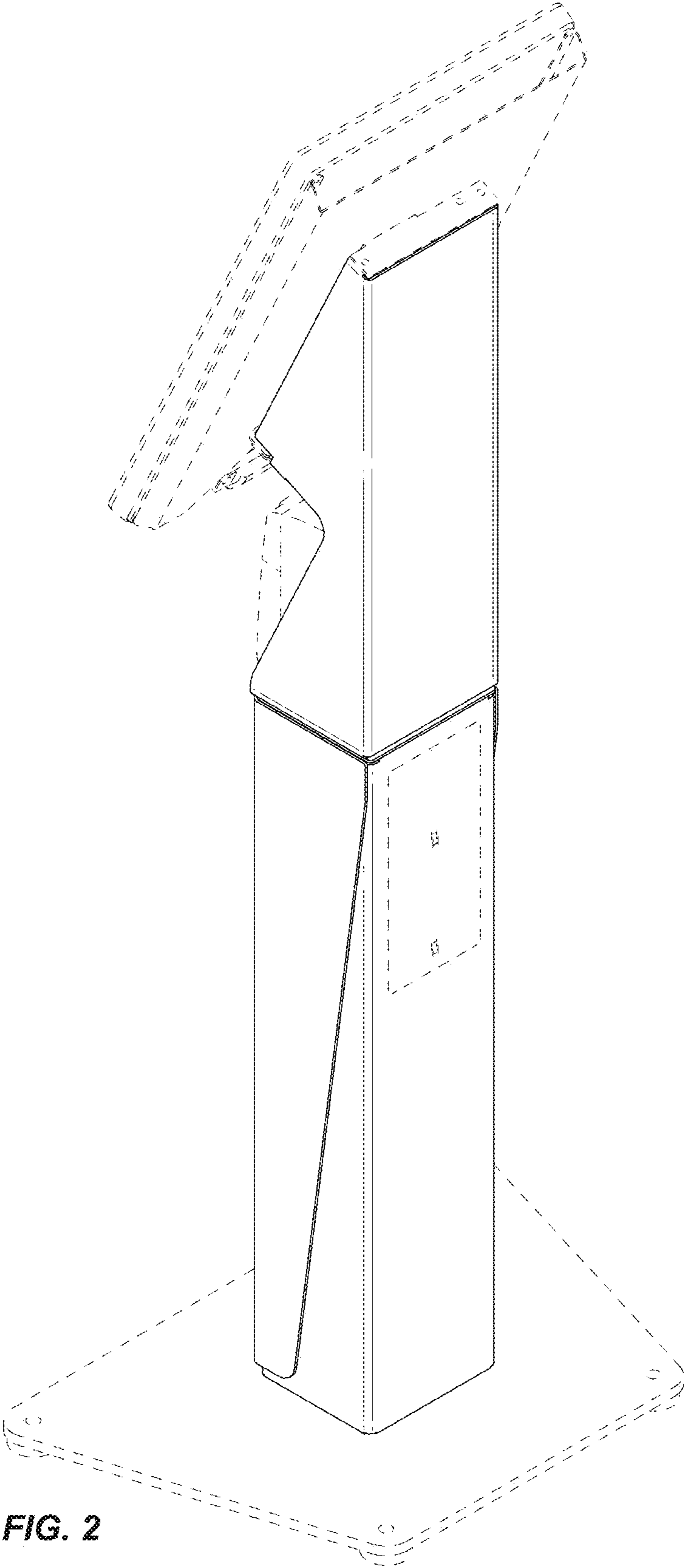


FIG. 2

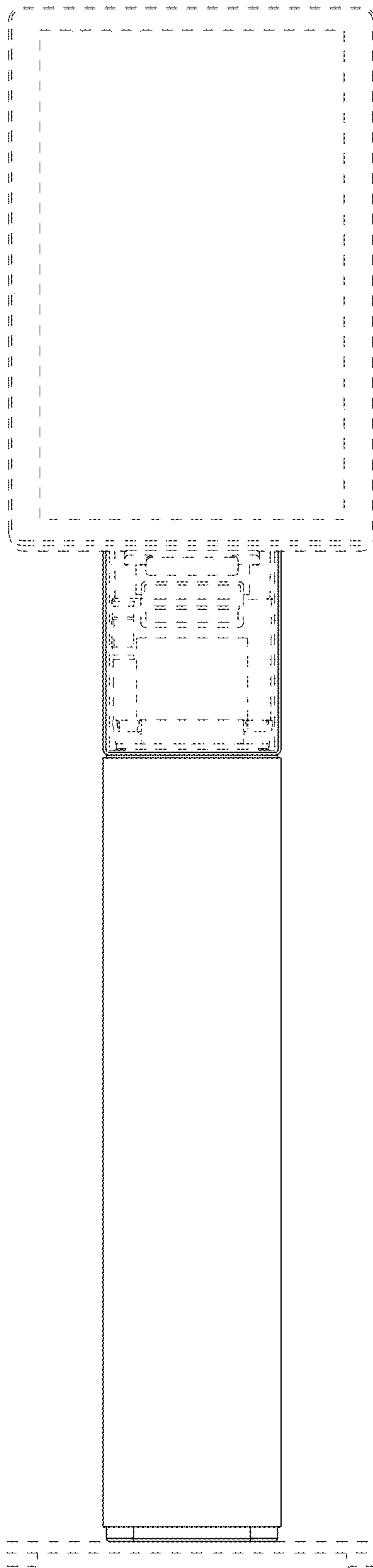


FIG. 3

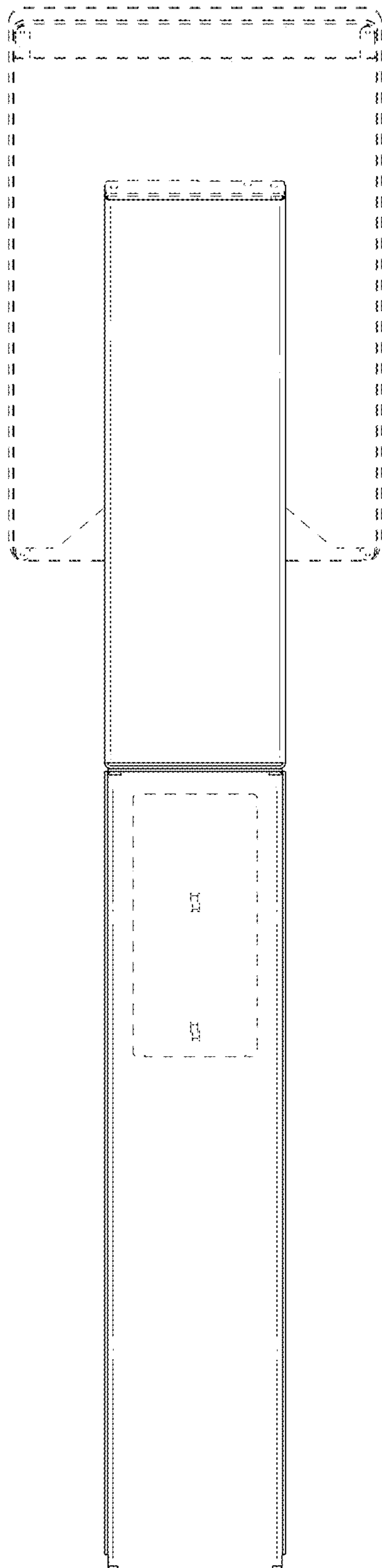
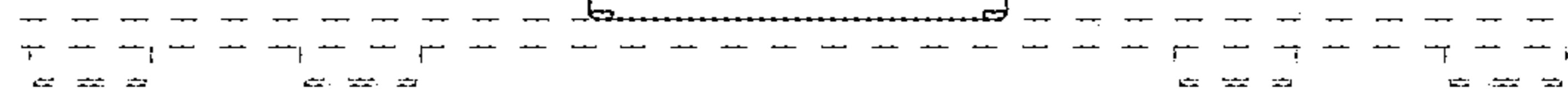


FIG. 4



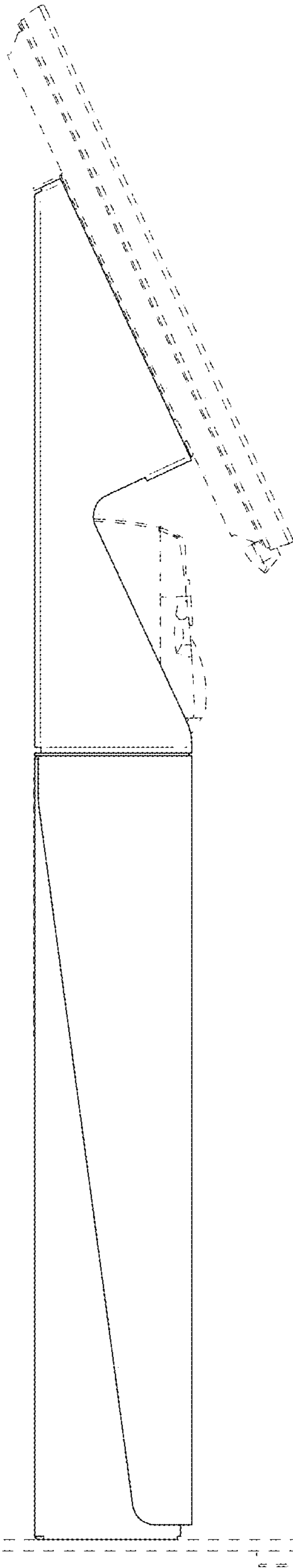


FIG. 5

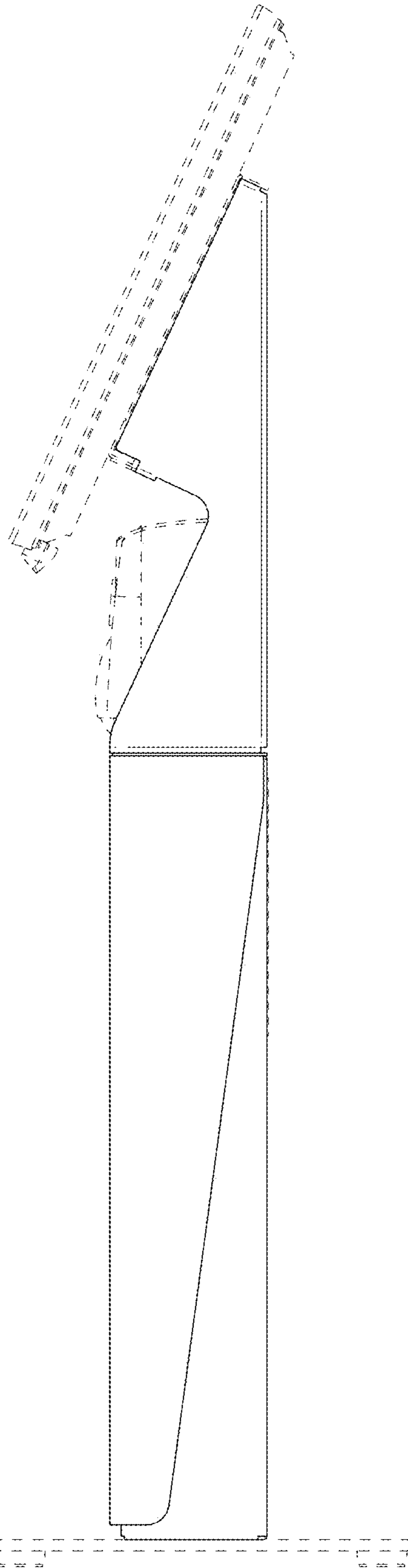


FIG. 6

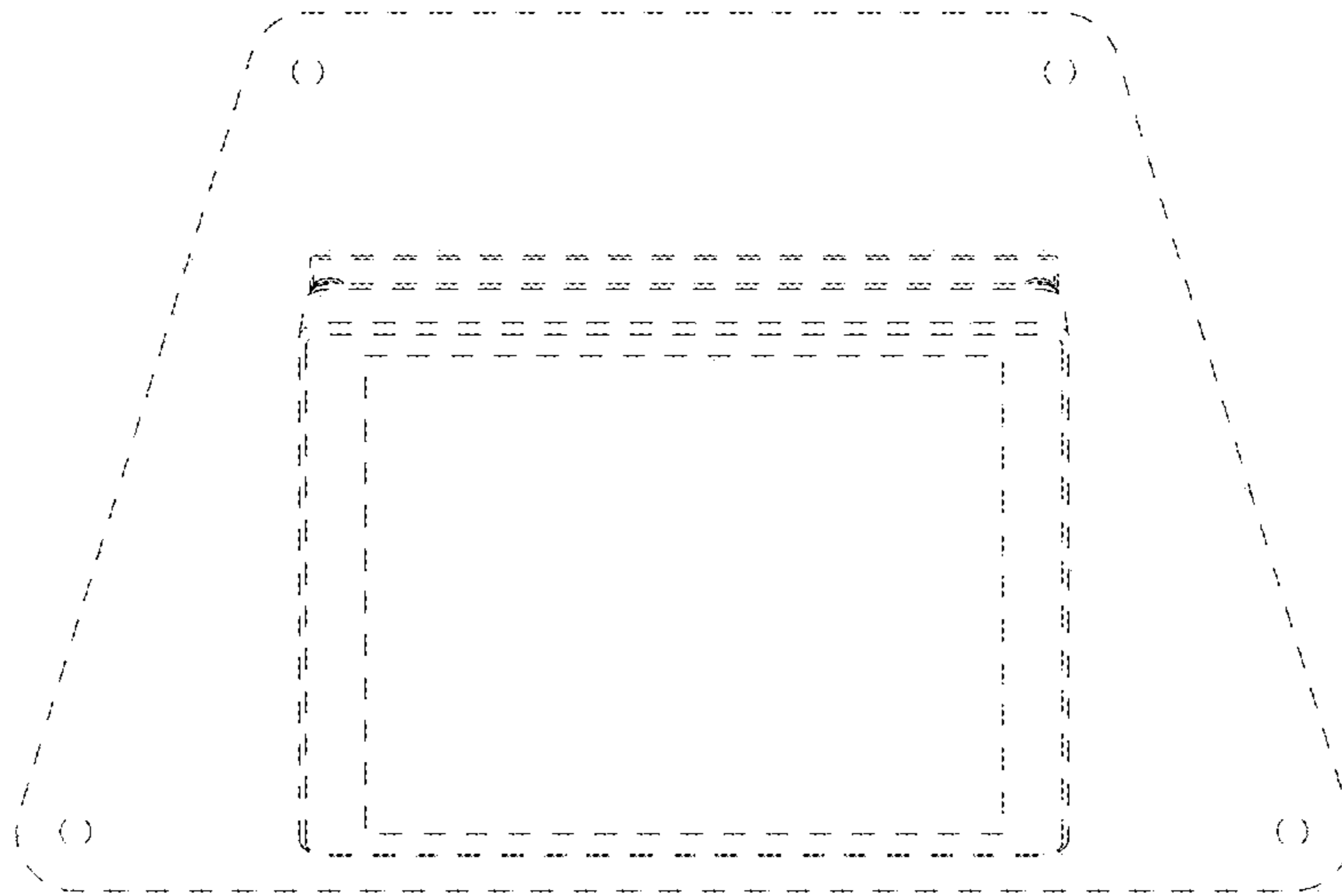


FIG. 7

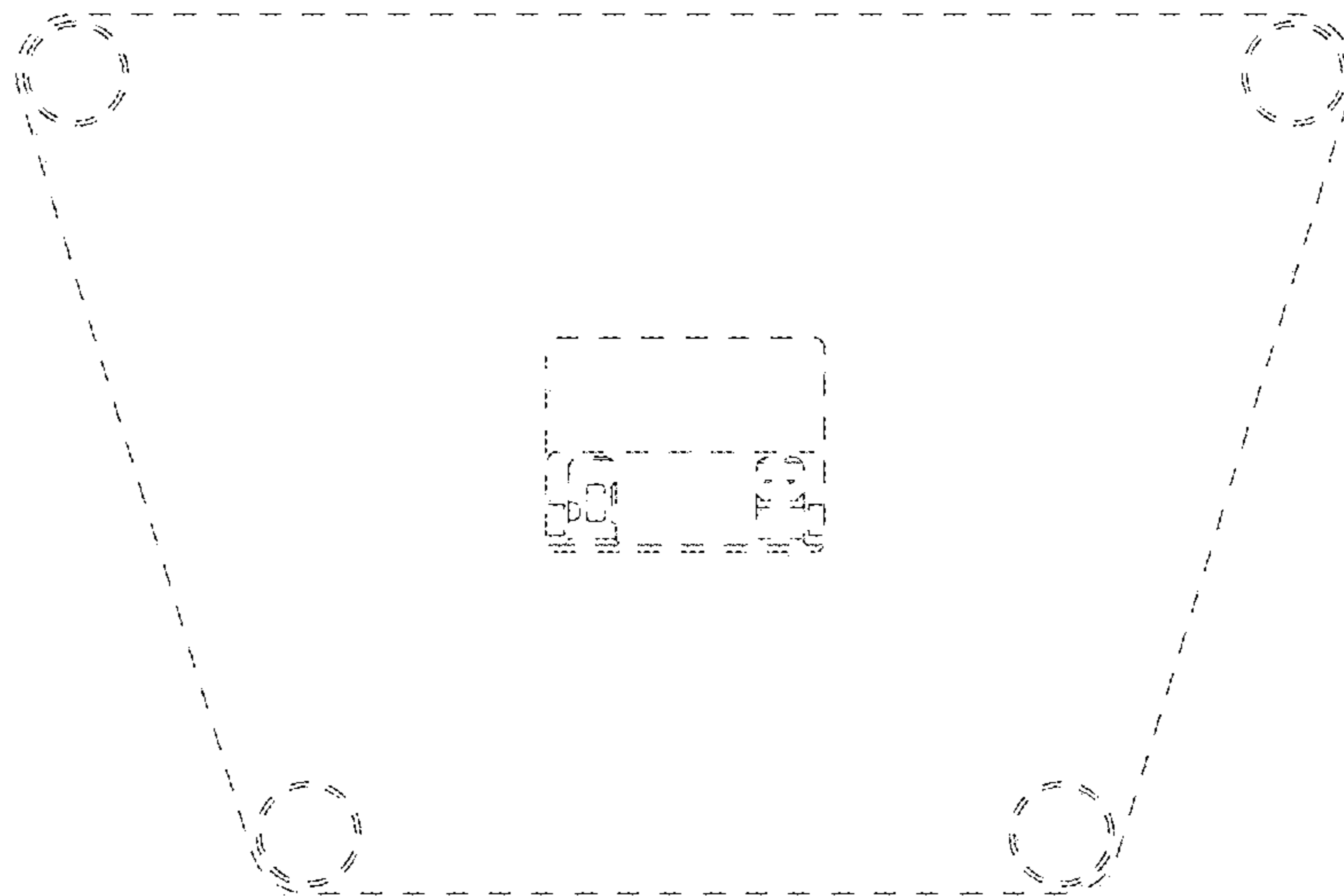


FIG. 8