



US00D891825S

(12) **United States Design Patent** (10) **Patent No.:** **US D891,825 S**
Nicoll et al. (45) **Date of Patent:** **** Aug. 4, 2020**

(54) **CABINET**
 (71) Applicant: **NewAge Products Inc.**, Vaughan (CA)
 (72) Inventors: **David Wesley Nicoll**, Mississauga (CA); **Robert Vandenharm**, North York (CA); **Aaron Reesor**, Uxbridge (CA)
 (73) Assignee: **NewAge Products Inc.**, Vaughan (CA)
 (**) Term: **15 Years**
 (21) Appl. No.: **29/626,144**
 (22) Filed: **Nov. 15, 2017**

5,645,332 A 7/1997 Snoke et al.
 D412,629 S 8/1999 Zaidman
 D423,817 S 5/2000 Holcomb et al.
 D427,843 S 7/2000 Van Over
 D441,221 S 5/2001 O'Hare et al.
 D457,704 S * 5/2002 Fiscus D34/19
 D465,693 S 11/2002 Coleman et al.
 D475,235 S 6/2003 Home
 D476,188 S 6/2003 Wood
 D499,928 S 12/2004 Zhang
 D501,116 S 1/2005 Zhang
 D503,065 S 3/2005 Pai
 D512,081 S * 11/2005 Chang D15/81
 D513,913 S 1/2006 Harwanko
 D517,345 S 3/2006 Verbeek et al.
 D521,308 S 5/2006 Tseng

(Continued)

(51) **LOC (12) Cl.** **06-06**
 (52) **U.S. Cl.**
 USPC **D6/667; D6/675**
 (58) **Field of Classification Search**
 USPC D6/396, 449, 467, 474, 477-479, 480, D6/485, 503, 382-384, 675, 329, 641, D6/642, 653, 655, 657, 663, 664, 667, D6/672, 682-683; D14/447, 451, 501, D14/439; D3/297; 211/26, 134, 194; 108/43, 57.16, 57.17, 57.18, 57.21; 248/188.1, 188.2, 188.4, 456
 CPC A47F 5/0018; A47F 1/00; A47B 43/00; A47B 46/00; A47B 47/02; A47B 63/00
 See application file for complete search history.

FOREIGN PATENT DOCUMENTS

CA 2486932 A1 5/2006
 WO 2008089598 A1 7/2008

Primary Examiner — Kelley A Donnelly
 (74) *Attorney, Agent, or Firm* — Howard & Howard Attorneys PLLC

(57) **CLAIM**

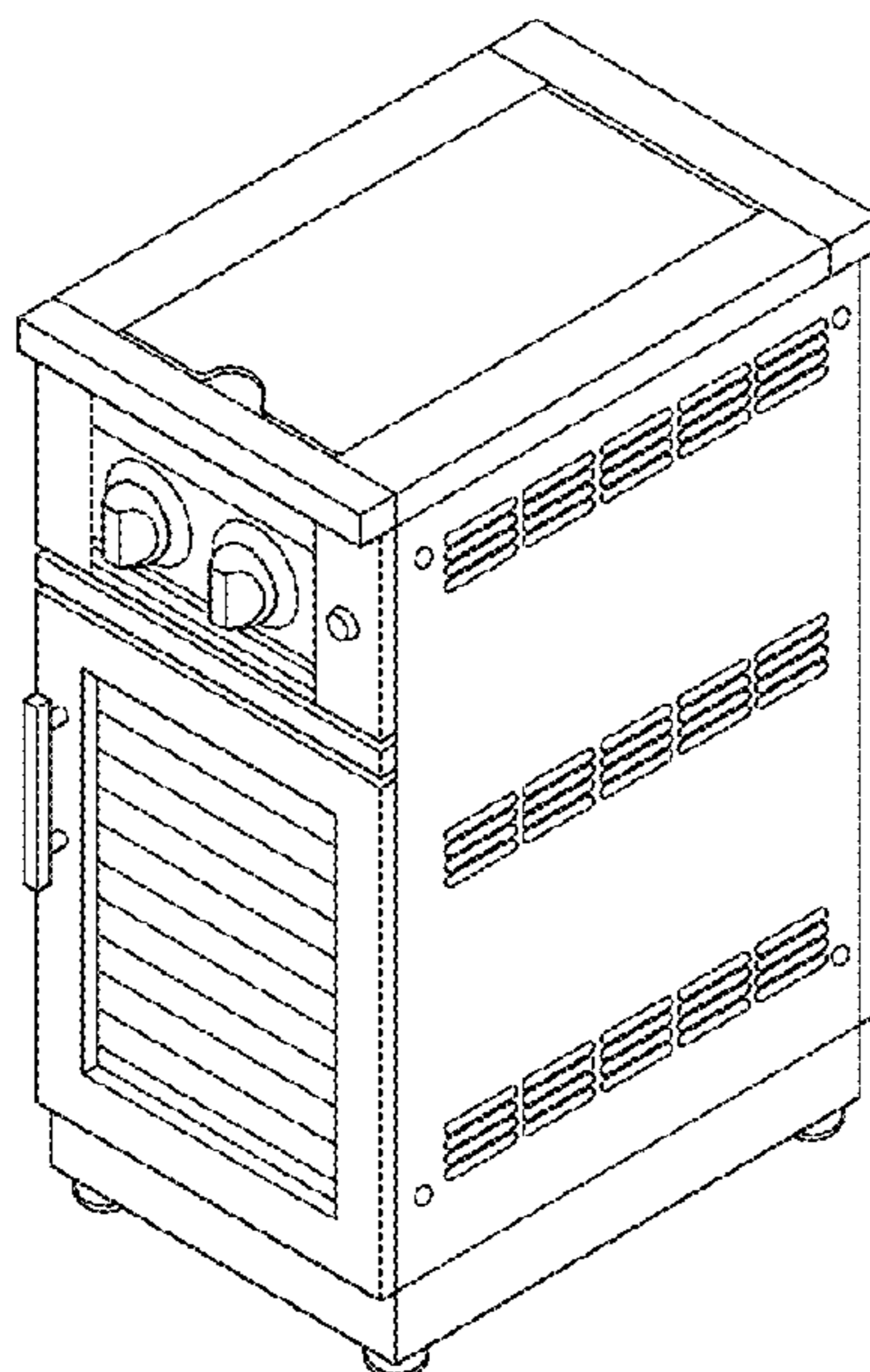
An ornamental design for a cabinet, as shown and described.

DESCRIPTION

FIG. 1 is a perspective view of an embodiment of a cabinet; FIG. 2 is a front elevational view of the cabinet of FIG. 1; FIG. 3 is a rear elevational view of the cabinet of FIG. 1; FIG. 4 is a left side elevational view of the cabinet of FIG. 1; FIG. 5 is a right side elevational view of the cabinet of FIG. 1; FIG. 6 is a top plan view of the cabinet of FIG. 1; and, FIG. 7 is a bottom plan view of the cabinet of FIG. 1.

1 Claim, 2 Drawing Sheets

(56) **References Cited**
 U.S. PATENT DOCUMENTS
 3,110,533 A 11/1963 Le Bron Andre
 3,847,460 A 11/1974 Weidt
 4,171,150 A 10/1979 Soderlund
 D254,885 S 5/1980 Decker
 D286,714 S 11/1986 Verholt
 D301,527 S 6/1989 Jacobs et al.
 RE34,171 E 2/1993 Romick et al.
 D341,737 S 11/1993 Shepherd



(56)

References Cited

U.S. PATENT DOCUMENTS

D534,998 S	1/2007	Charnik	
D536,918 S	2/2007	Wood	
D549,511 S	8/2007	Chung	
D554,944 S	11/2007	Wood et al.	
D571,605 S	6/2008	Chung	
D574,629 S	8/2008	Kalkwarf	
D588,834 S	3/2009	Holt	
D592,618 S *	5/2009	Lewis, II	D13/184
D594,247 S *	6/2009	Estephan	D6/666
D600,963 S *	9/2009	Punzel	D6/561
D601,137 S *	9/2009	Koh	D14/308
D618,485 S	6/2010	Chung	
D623,466 S	9/2010	Camerin et al.	
D624,771 S	10/2010	Lim	
D624,782 S	10/2010	Chung	
D632,518 S *	2/2011	Schmidt	D6/561
D661,141 S *	6/2012	Bao	D6/675
D665,201 S *	8/2012	Gaska	D6/703.3
D665,596 S *	8/2012	Shawcross	D6/663
D667,652 S *	9/2012	Wang	D6/663
D689,720 S	9/2013	Lim	
D703,466 S *	4/2014	Franck	D6/675
D704,981 S *	5/2014	Gates	D7/332
D712,676 S	9/2014	Flora	
D722,810 S	2/2015	Chung	
D722,813 S	2/2015	Chung	
D727,477 S *	4/2015	Mayer	D23/286
D728,282 S *	5/2015	Tongue	D6/675
D731,843 S	6/2015	Chung	
D732,854 S	6/2015	Sin et al.	
9,068,378 B2	6/2015	Milani et al.	
D733,470 S	7/2015	Troyner et al.	
D737,603 S	9/2015	Shah et al.	
D741,624 S	10/2015	Freimuth	
D742,136 S	11/2015	Flora	
D743,190 S *	11/2015	Franck	D6/675
9,267,313 B2	2/2016	Frison et al.	
9,337,920 B2	5/2016	Chen et al.	
9,468,305 B2	10/2016	Flora	
D770,815 S	11/2016	Jackson et al.	
9,486,075 B2	11/2016	Liu	
9,486,911 B1	11/2016	Liu	
D780,488 S *	3/2017	Celano	D6/672
D788,491 S	6/2017	Lim	
D805,322 S *	12/2017	Johanson	D6/559
D807,084 S	1/2018	Waldner	
D809,847 S	2/2018	Liu	
D823,617 S	7/2018	Chiao et al.	
D824,194 S	7/2018	Kagan	
D825,230 S	8/2018	Massaud	
D826,291 S *	8/2018	Lim	D15/81
D828,056 S	9/2018	Chiao et al.	
D835,926 S *	12/2018	Abatemarco, Jr.	D6/675
D843,771 S	3/2019	Wong	
D843,772 S	3/2019	Wong	
D854,871 S	7/2019	Williams	
D858,119 S	9/2019	Nicoll et al.	
D869,894 S	12/2019	Nicoll et al.	
D871,114 S	12/2019	Nicoll et al.	
2006/0037599 A1	2/2006	Hill	
2008/0047209 A1 *	2/2008	Hinterholzer	A47F 3/0434 52/208
2009/0178666 A1	7/2009	Cagle et al.	
2011/0187248 A1	8/2011	Kao	
2011/0192810 A1	8/2011	Kao	
2014/0053823 A1	2/2014	Frantz	
2015/0351538 A1	12/2015	Wells et al.	
2016/0208837 A1	7/2016	Chang	
2016/0360924 A1	12/2016	Bruin-Slot	

* cited by examiner

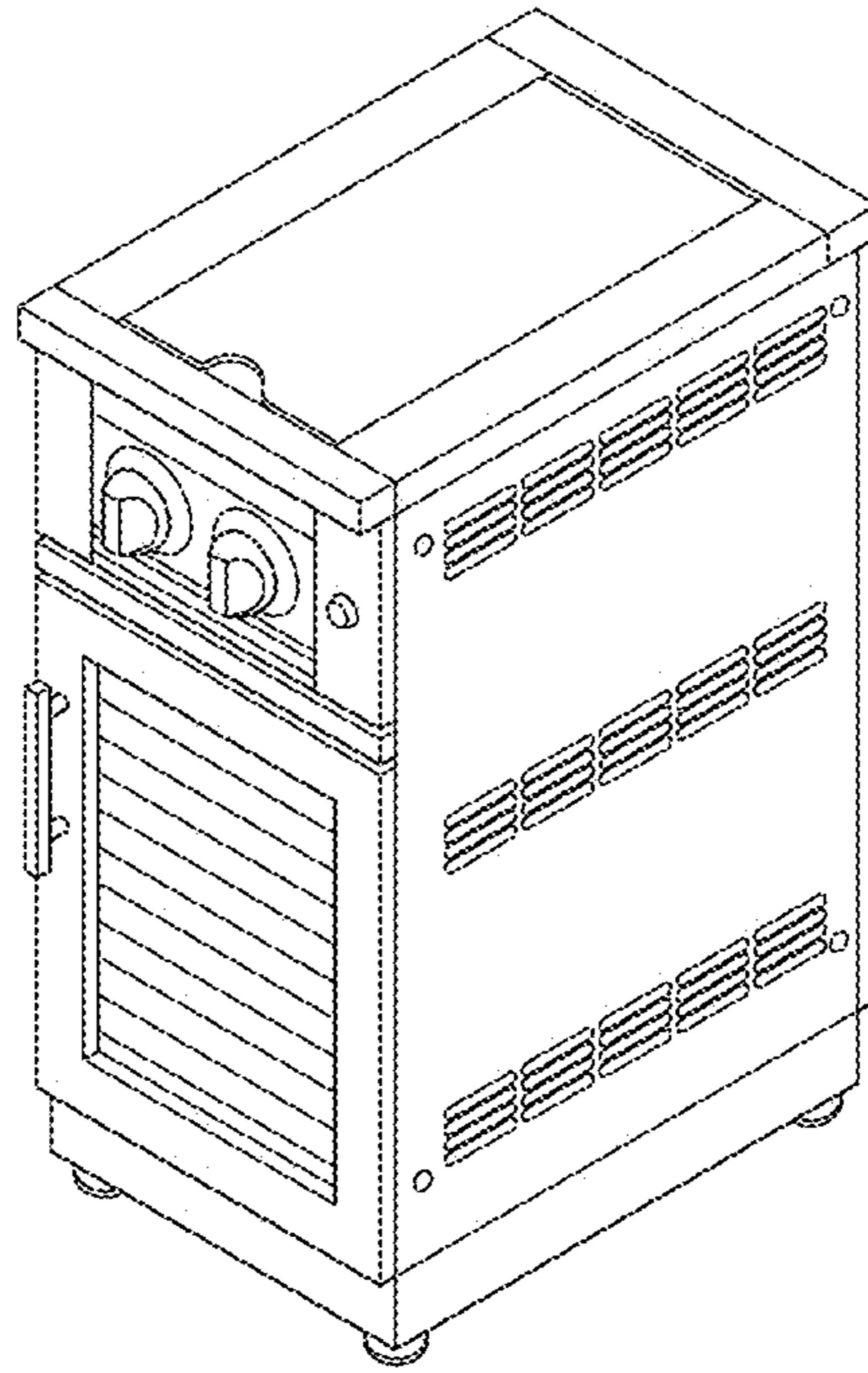


Fig. 1

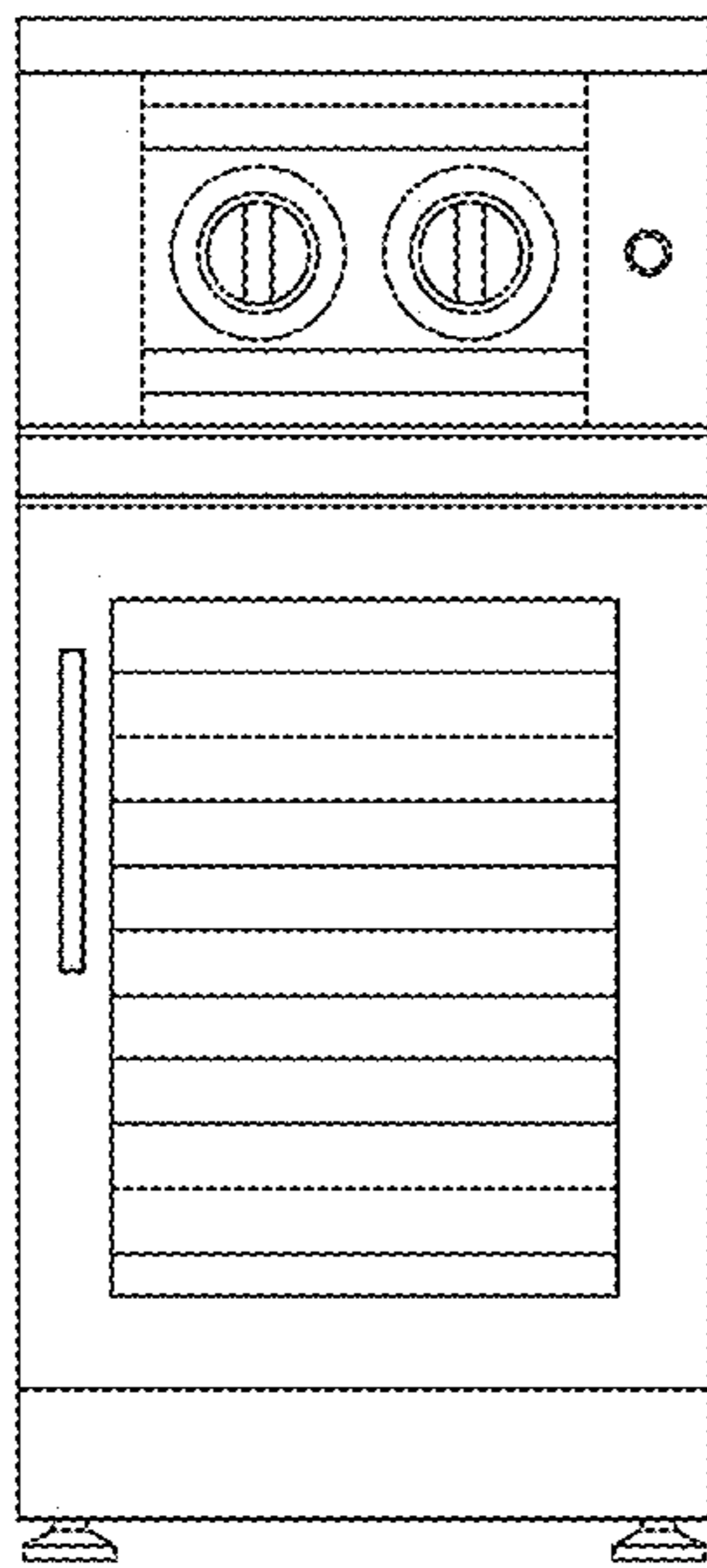


Fig. 2

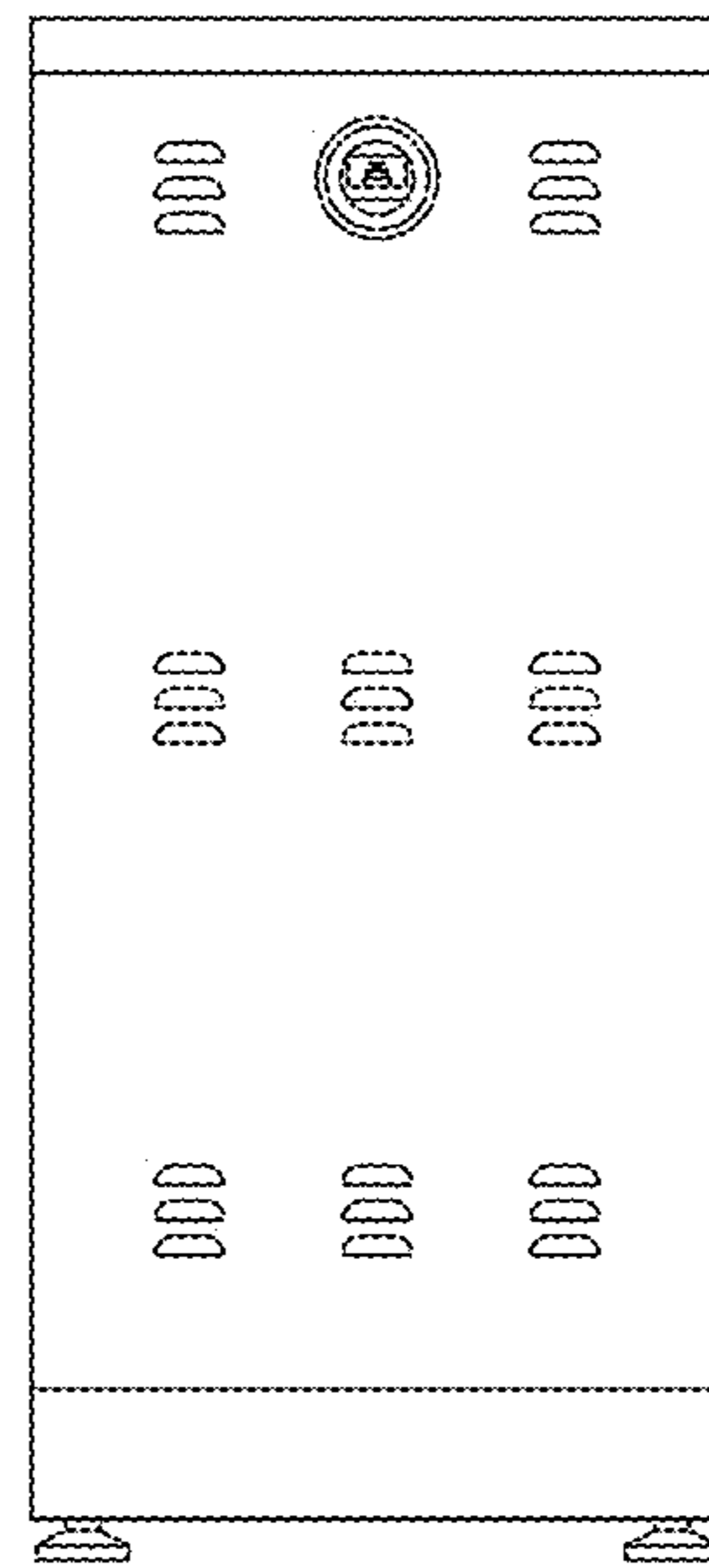


Fig. 3

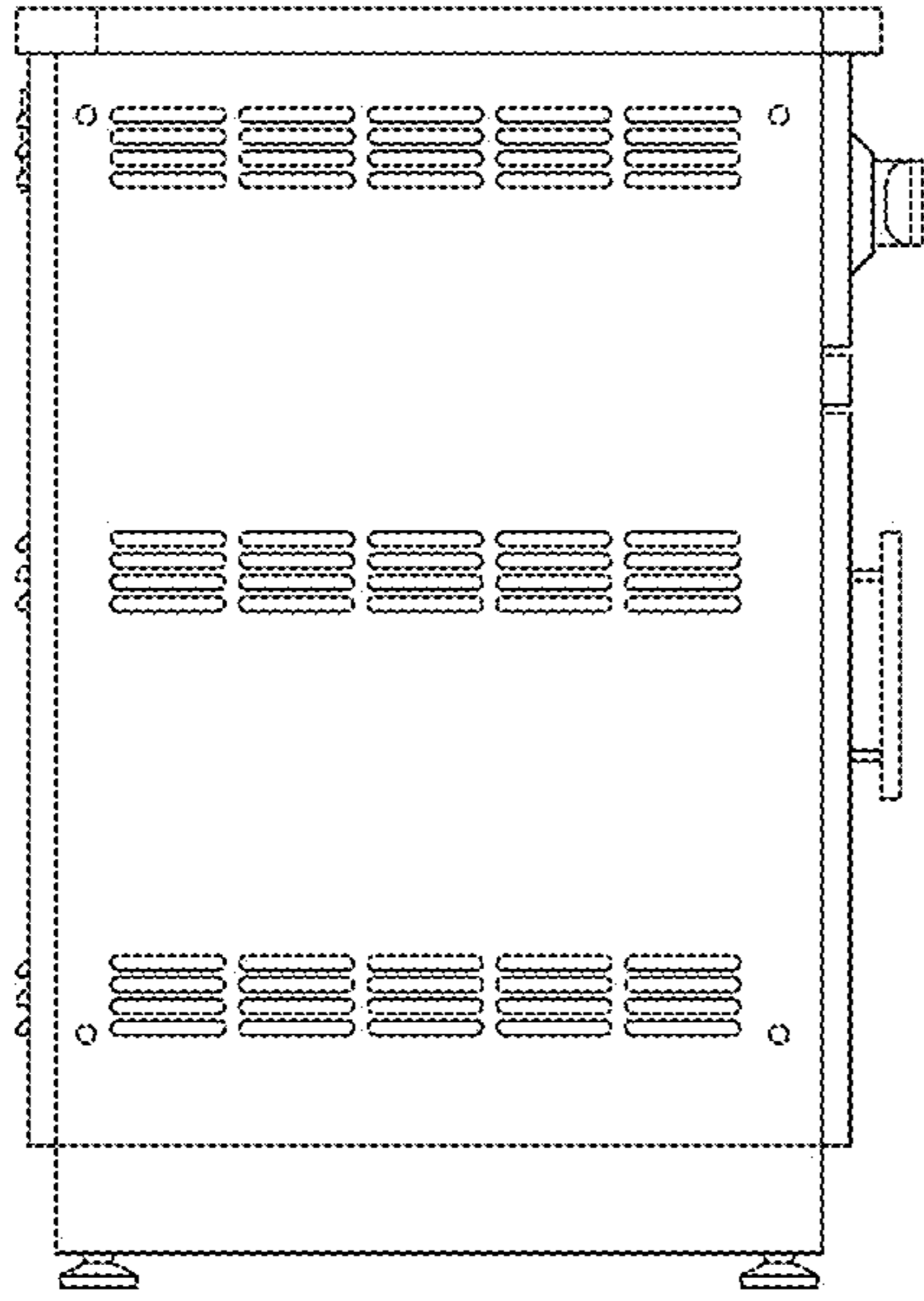


Fig. 4

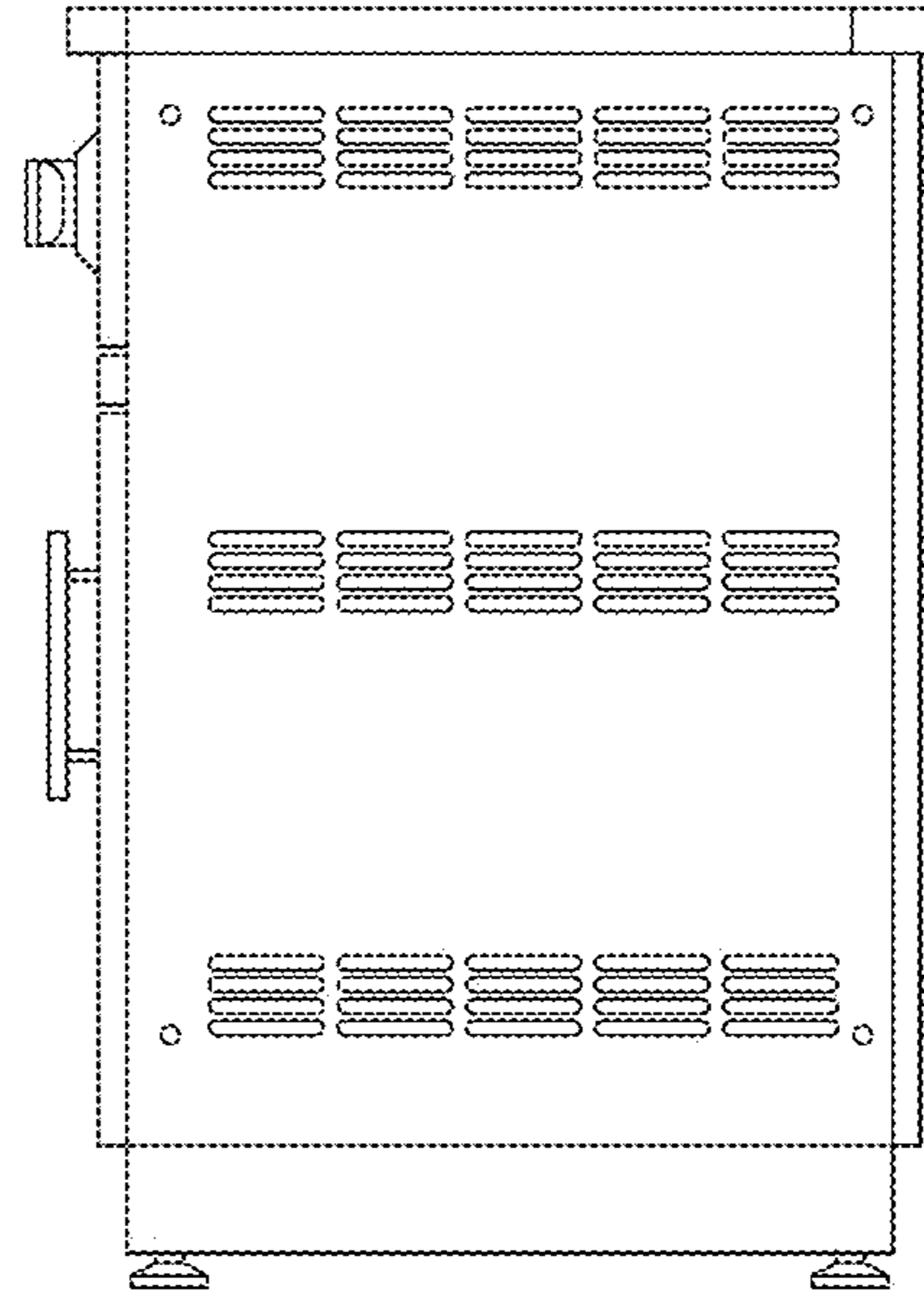


Fig. 5

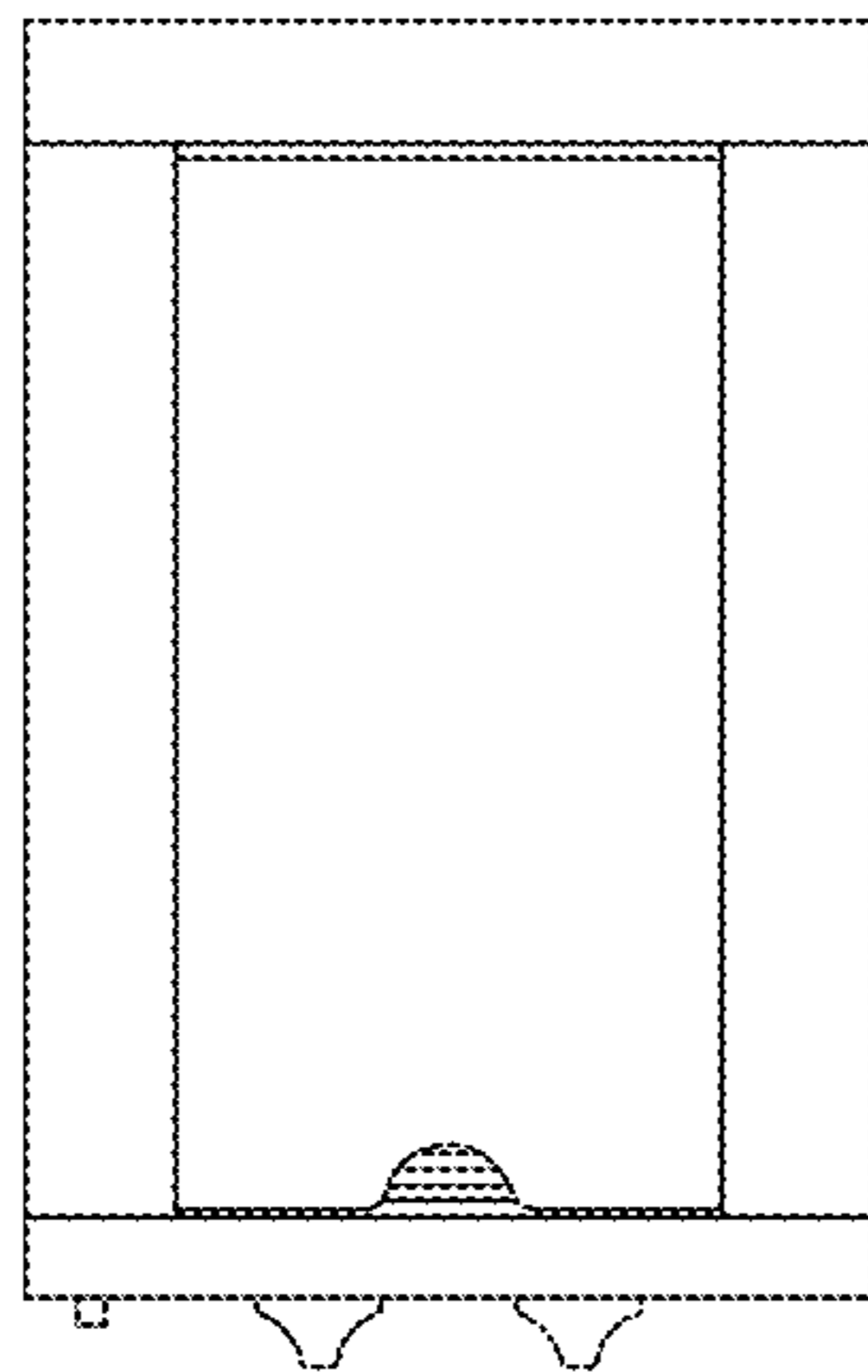


Fig. 6

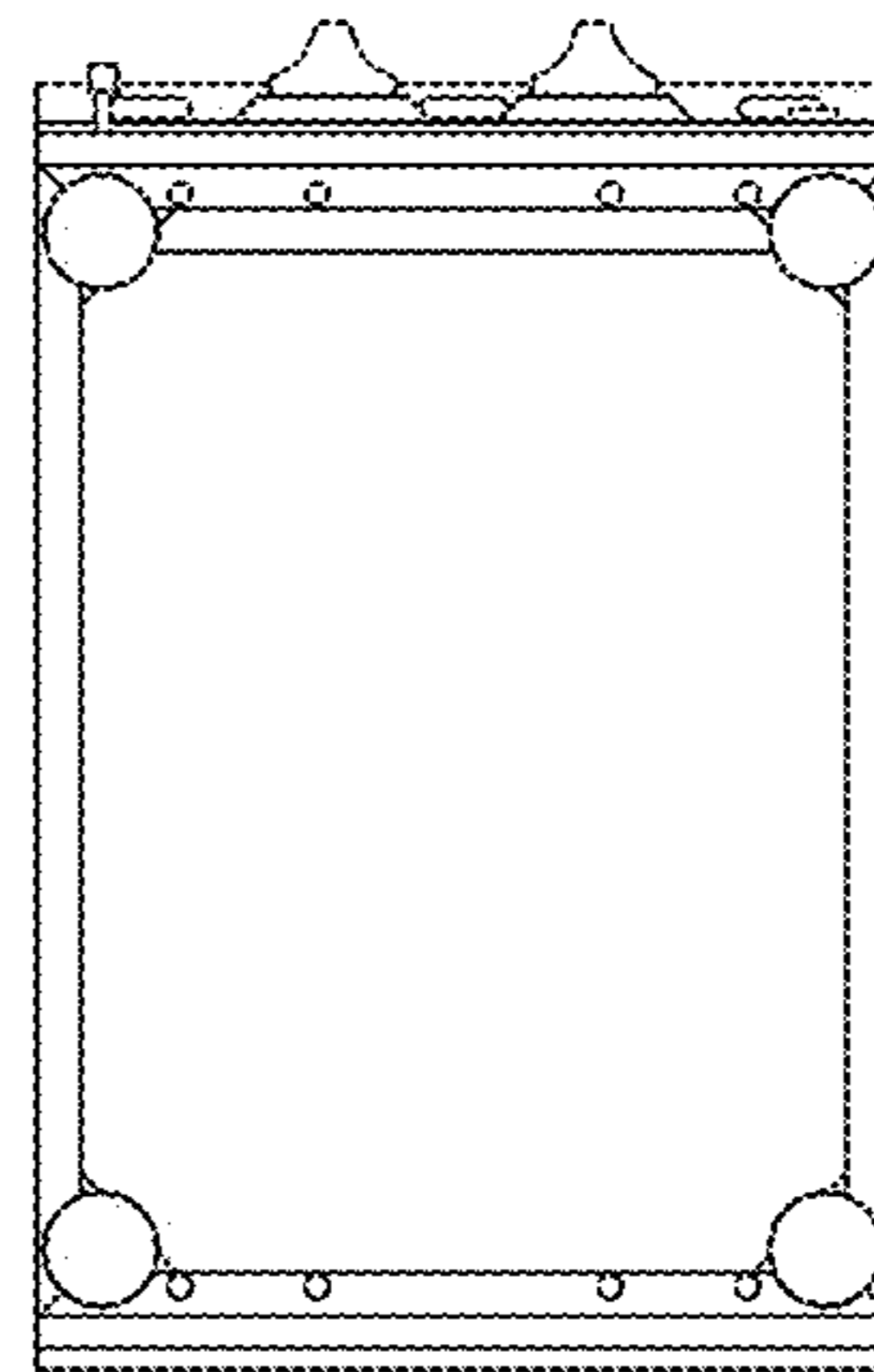


Fig. 7