

US00D891824S

(12) **United States Design Patent** (10) **Patent No.:** **US D891,824 S**  
**Sumlin** (45) **Date of Patent:** **\*\* Aug. 4, 2020**

- (54) **DRESSER WITH MIRROR**
- (71) Applicant: **Charles Neal Sumlin**, Aguadilla, PR (US)
- (72) Inventor: **Charles Neal Sumlin**, Aguadilla, PR (US)
- (73) Assignee: **AMINI INNOVATION CORPORATION**, Pico Rivera, CA (US)
- (\*\*) Term: **15 Years**
- (21) Appl. No.: **29/678,765**
- (22) Filed: **Jan. 30, 2019**
- (51) **LOC (12) Cl.** ..... **06-04**
- (52) **U.S. Cl.**  
USPC ..... **D6/664.1; D6/668.2**
- (58) **Field of Classification Search**  
USPC ..... D6/300, 650, 652, 657, 661.3, 663, D6/664.1, 665, 668, 668.2, 671, 671.1, D6/671.2  
CPC ..... A47B 46/00; A47B 47/00; A47B 47/022; A47B 47/02; A47B 47/04; A47B 55/00; A47B 67/02; A47B 67/04  
See application file for complete search history.

D560,392 S *	1/2008	Kingsley	.....	D6/671.1
D562,592 S *	2/2008	Lara	.....	D6/661.3
D590,638 S *	4/2009	Lara	.....	D6/661.3
D692,698 S *	11/2013	Schmitt	.....	D6/664.1
D771,416 S *	11/2016	Miller	.....	D6/668.2
D772,613 S *	11/2016	Liu	.....	D6/664.1
D772,614 S *	11/2016	Liu	.....	D6/668.2
D794,766 S *	8/2017	Patton	.....	D23/366
D860,688 S *	9/2019	Schmitt	.....	D6/664.1

**OTHER PUBLICATIONS**

“YouTube—Michael Amini-Jane Seymour Living—Paris Chic Walk-through Part 1.” Found online Apr. 9, 2020 at [www.youtube.com](https://www.youtube.com/watch?v=wIVP_e8mS-g). Video published Sep. 27, 2018. Retrieved from URL: [https://www.youtube.com/watch?v=wIVP\\_e8mS-g](https://www.youtube.com/watch?v=wIVP_e8mS-g) (Year: 2018).\*

“3D Oval Dresser Sideboard Model.” Found online Apr. 9, 2020 at [www.turboquid.com](https://www.turboquid.com). Image published Jul. 25, 2018. Retrieved from URL: <https://www.turbosquid.com/3d-models/3d-oval-dresser-sideboard-model-1310406> (Year: 2018).\*

(Continued)

*Primary Examiner* — Mary Ann Calabrese  
*Assistant Examiner* — Katelin G Kloberg  
 (74) *Attorney, Agent, or Firm* — Cislo & Thomas, LLP

(57) **CLAIM**

I claim the ornamental design for a dresser with mirror, as shown and described.

(56) **References Cited**

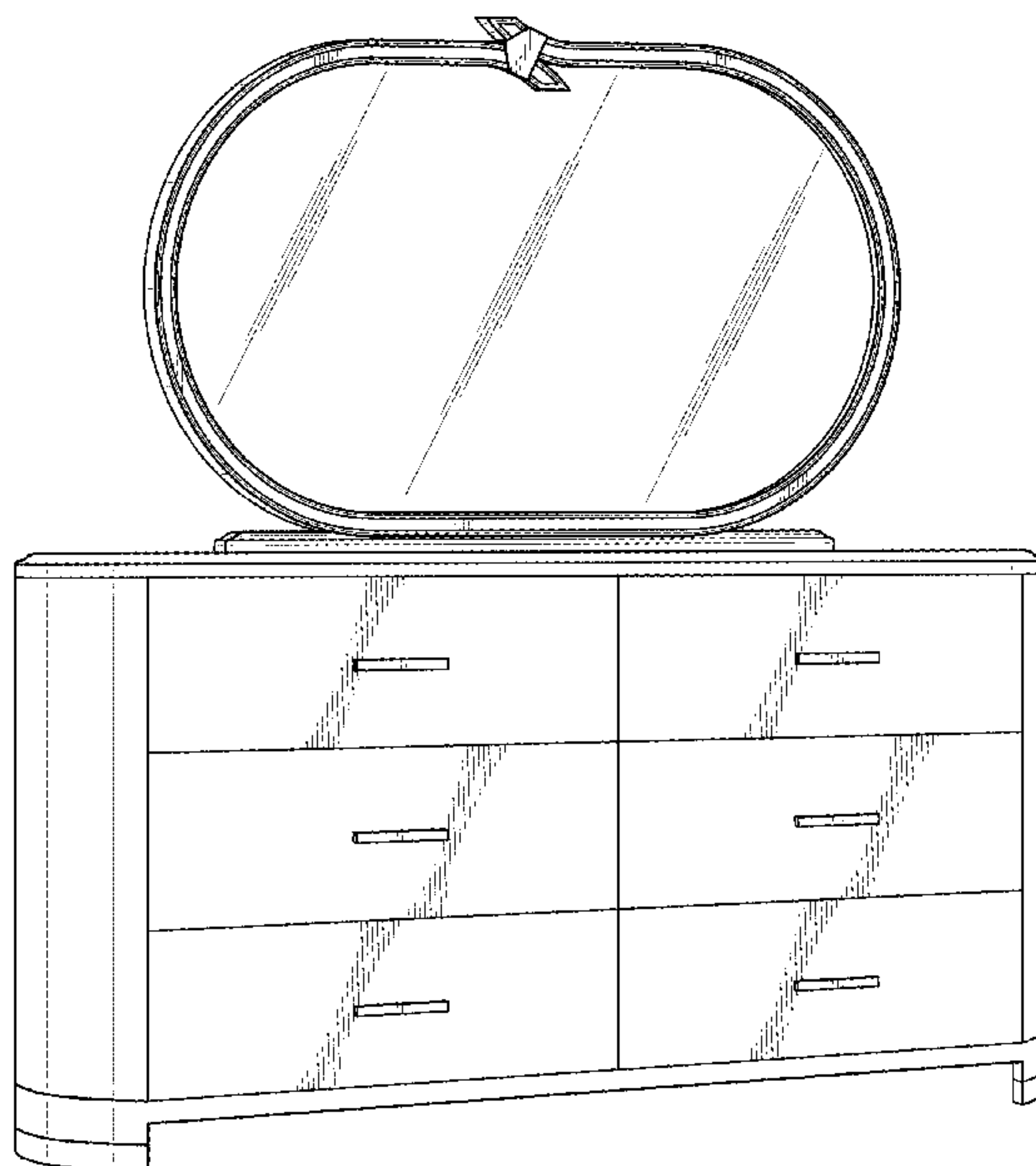
**U.S. PATENT DOCUMENTS**

D91,168 S *	12/1933	Geibelt	.....	D6/668.2
D290,665 S *	7/1987	Snodgrass	.....	D6/671.1
D423,251 S *	4/2000	Black	.....	D6/688.2
D450,479 S *	11/2001	O’Hare	.....	D6/668.2
D458,458 S *	6/2002	Vaaler	.....	D6/300
D487,200 S *	3/2004	Wanek	.....	D6/664.1
D488,325 S *	4/2004	Stanton	.....	D6/668.2
D553,880 S *	10/2007	Lewis	.....	D6/671.1
D560,387 S *	1/2008	Mayer	.....	D6/668.2

**DESCRIPTION**

FIG. 1 is perspective view of a dresser with mirror, showing my new design;  
 FIG. 2 is a right side front perspective view thereof;  
 FIG. 3 is a front view thereof;  
 FIG. 4 is a left side view thereof;  
 FIG. 5 is a right side view thereof; and,  
 FIG. 6 is a top view of my dresser with mirror.

**1 Claim, 5 Drawing Sheets**



(56)

**References Cited**

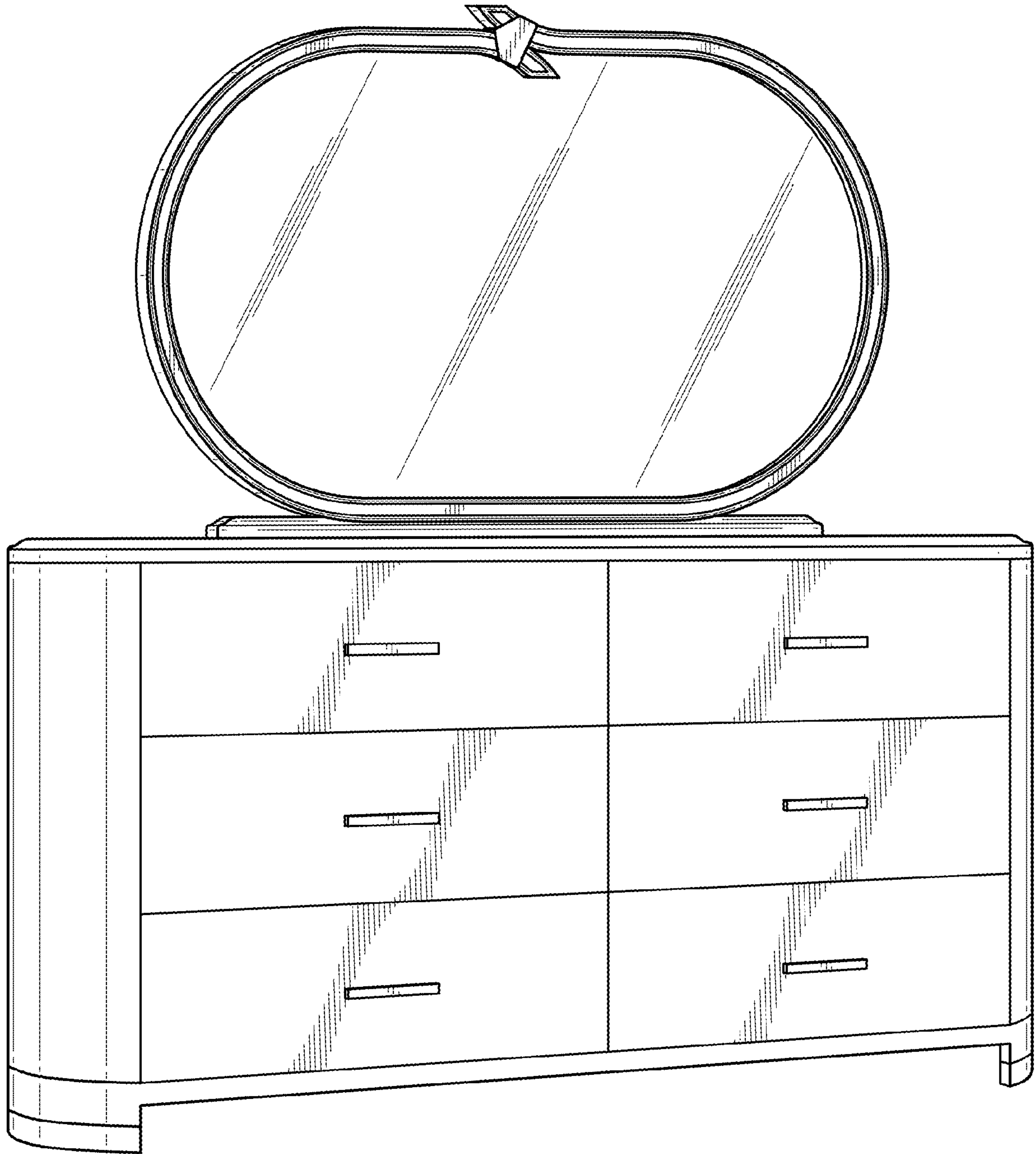
OTHER PUBLICATIONS

“Stands Alone Oval Six Drawer Dresser with Silver Legs.” Found online Apr. 9, 2020 at [www.franceandson.com](http://www.franceandson.com). Product reviewed Jan. 12, 2019. Retrieved from URL: <https://franceandson.com/products/cara-cla-417-011oval-six-drawer-dresser-with-silver-legs#shopify-product-reviews> (Year: 2019).\*

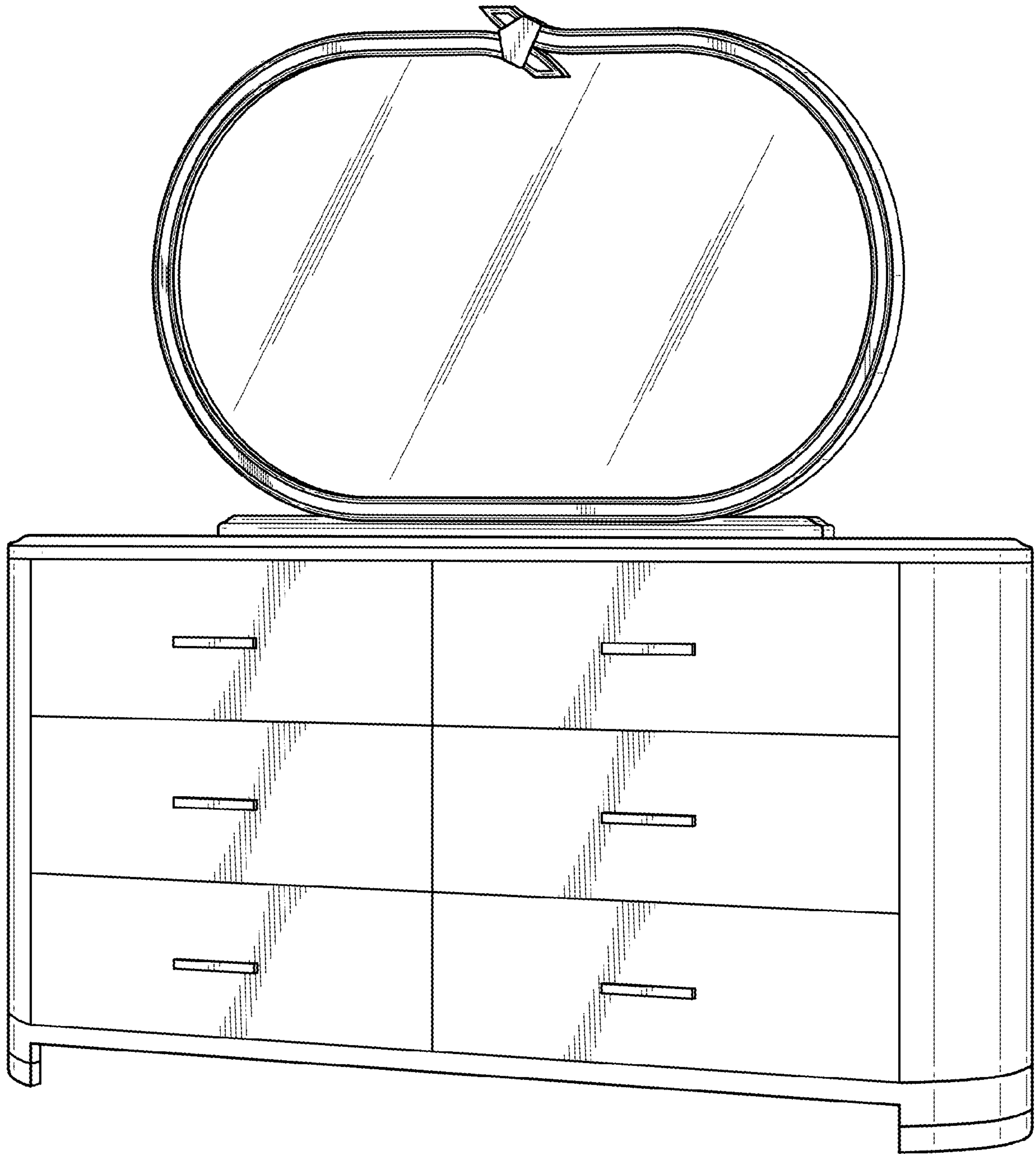
“15 Clean-Lined Modern Bedroom Dressers.” Found online Apr. 9, 2020 at [www.homedesignlover.com](http://www.homedesignlover.com). Page archived Jan. 7, 2014. Retrieved from URL: <https://web.archive.org/web/20140107205326/https://homedesignlover.com/home-furniture/modern-bedroom-dressers/> (Year: 2014).\*

\* cited by examiner

*FIG. 1*

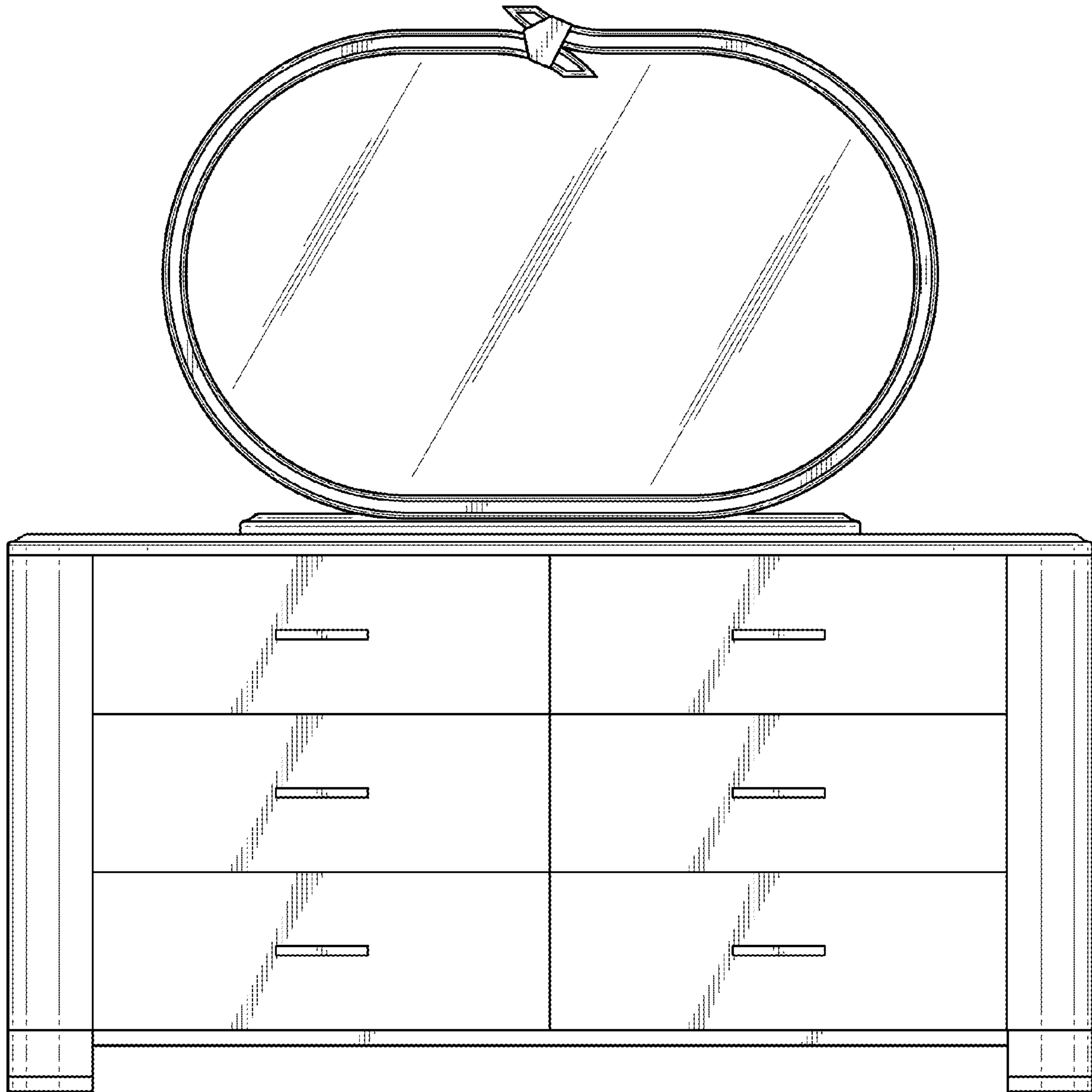


*FIG. 2*

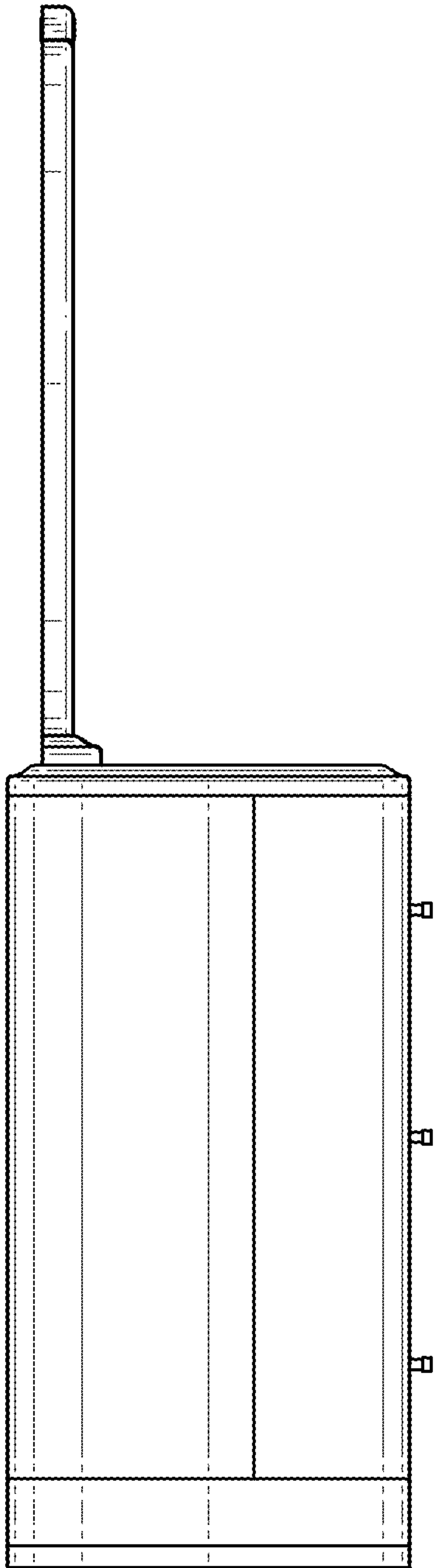




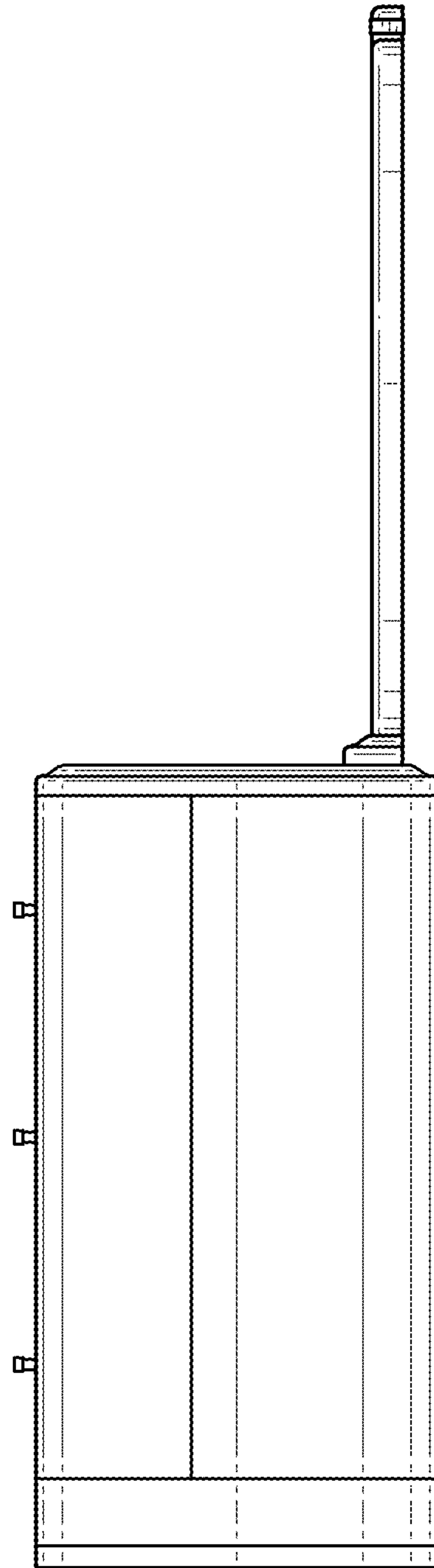
*FIG. 3*



*FIG. 4*



*FIG. 5*



*FIG. 6*

